

Model RSA Series – T-Line Single Cartridge Sanitary Filter Housings

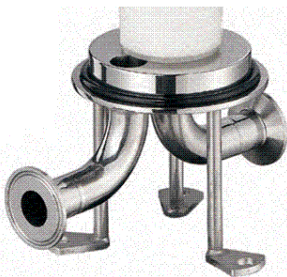


Model RSA Series T-Line Single Cartridge Sanitary Filter Housings

High-quality, cost-effective sanitary filter housings suitable for pressures up to 150 psi and flow rates up to 15 gpm

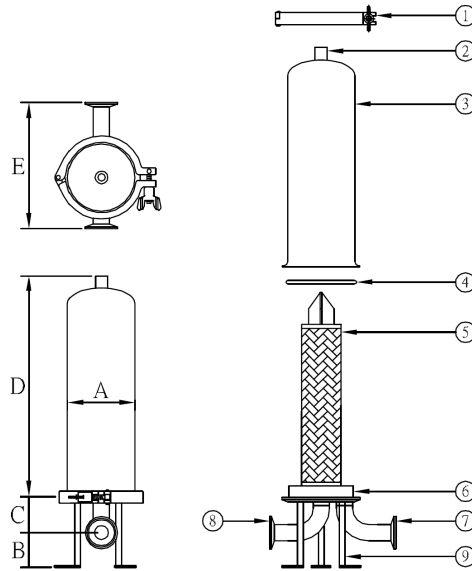
Description

Product:	Model RSA Series—T-Line Single Cartridge Sanitary Filter Housings
Applications:	Sanitary pharmaceutical, bioprocess, food and beverage applications
Configuration:	Single cartridge (222, 226)
Material of Construction:	Stainless steel construction (SS316, SS316L)
Inlet Outlet Connections:	1" sanitary flange (Tri-Clamp)
Gauge Port/Vent/Drains:	Gauge 1", Vent/Drains 1/2" sanitary flange (Tri-Clamp)
Flow Rate:	Up to 15 gpm
Max. Pressure:	150 psi
Temperature:	210 °F
Surface finish:	Electropolished, interior 25µin Ra (0.6µm), exterior 32µin Ra (0.8µm)
Closure Mechanism:	Clamp
Seal type:	O-Ring (SILICONE, EPDM, VITON, PTFE encap. VITON)
Cartridge Size:	10", 20" and 30"
Leg Support:	Stainless Steel (SS304)
Inlet outlet position:	Bottom in and bottom out
Customizations:	Other configurations are available upon request
Recommended Spare Parts:	O-Rings, Clamps



Model RSA Series – T-Line Single Cartridge Sanitary Filter Housings

Dimensions



NO.	Description
1	Clamp
2	Port Vent
3	Shell
4	O-Ring
5	Filter Cartridge
6	Base
7	Port Inlet
8	Port Outlet
9	Leg Support

Inch
[mm]

Cartridge Size	Flow GPM	Dimensions					Weight Lbs	Volume Gal
		A	B	C	D	E		
10"	5	4 [106]	2 [55]	2-1/4 [57]	13-1/2 [348]	7-3/4 [199]	10	0.8
20"	10	4 [106]	2 [55]	2-1/4 [57]	23-1/2 [598]	7-3/4 [199]	13	1.3
30"	15	4 [106]	2 [55]	2-1/4 [57]	33-1/4 [848]	7-3/4 [199]	16	2

All dimensions are nominal and rounded to 1/4" in the format of inch[mm]

How to order

Product Codes						
RSA-	C-	10-	S-	150-	010-	05-
	Material	Cartridge Size	Connection Type	Pressure Rating	Connection Size	Flow Rate
	B-SS316 C-SS316L	10-10" 20-20" 30-30"	S-Sanitary flange	150-150psi	010-1"	05-05 gpm 10-10 15-15

Example: RSA-C-10-S-150-010-05-S-N

Product Codes (Cont'd)	
S -	N
O-Ring	ASME Code
S - SILICONE E - EPDM V - VITON P - PTFE encap. VITON	N-No

Accessory Codes & Spare Parts Codes				
RSA	S-	S-	10-	OR
	Spare Parts	Material	Cartridge Size	Type
		A-SS304 B-SS316 C-SS316L	10-10" 20-20" 30-30"	CL - Clamp
		S - SILICONE E - EPDM V - VITON P - PTFE encap. VITON		OR-O-Ring

Example: RSAS-S-10-OR