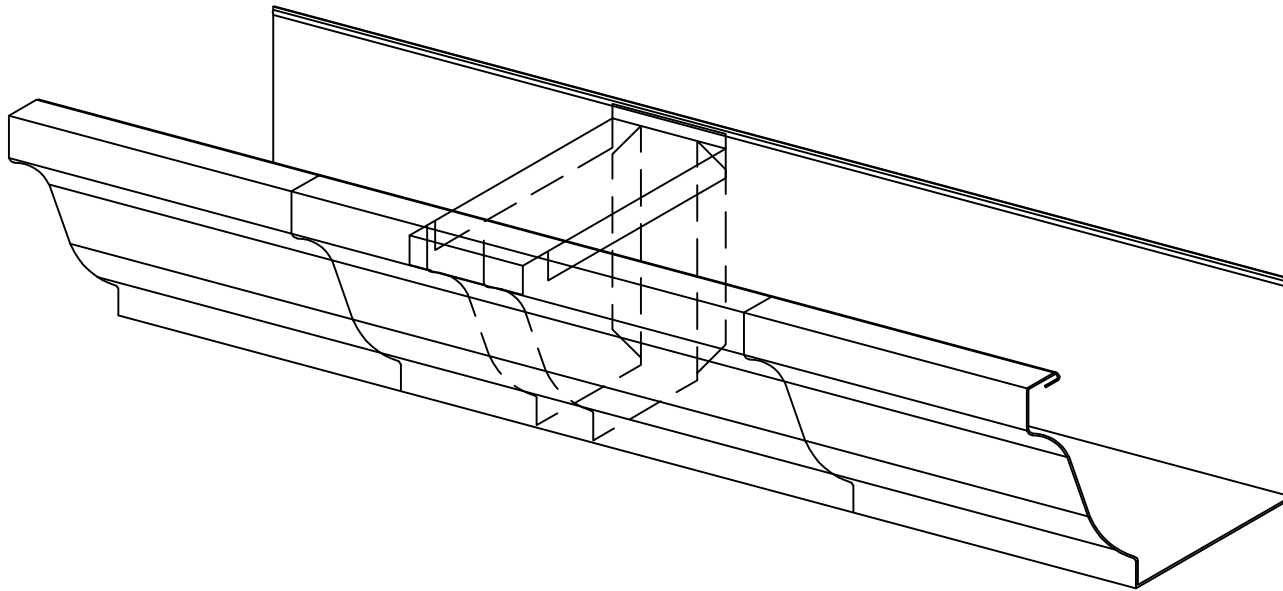


6" GUTTER EXPANSION JOINT



MATERIAL (please choose one):

- | | |
|--------------------------------------|--|
| <input type="checkbox"/> 24 GA Steel | <input type="checkbox"/> .032 Aluminum |
| <input type="checkbox"/> 22 GA Steel | <input type="checkbox"/> .040 Aluminum |

Other: _____

Color: _____

Finish: _____

Quantities:

_____ Units

- | | |
|---|---|
| <input type="checkbox"/> Pop Rivet & Sealed | <input type="checkbox"/> Welded (see note)* |
|---|---|

*Note: Accessory Welding is only available in .050 aluminum or heavier

Miter/End Cap additional information:

See the attached sheets for miters and end cap

24 ga stocked colors:

- 1) Regal White
- 2) Medium Bronze
- 3) Dark Bronze

Other colors available upon request

Sheet ___ of ___ .

DWG# 700-021

Notes:

- 1) Written approval is required prior to fabrication, contractor is responsible for all dimensions and quantities. Fabricated items are not returnable.
- 2) Gutter brackets are to be installed at 24" O/C
- 3) Expansion joints and slip joints are available.
- 4) Welded miters are post painted units

Temple Architectural Products
1111 Lowell St.
Elyria, OH 44035

Phone: (440) 323-9393

Fax: (440) 412-7559

Project Name: _____

Installing Contractor: _____

Contact Name: _____

Contact number: _____

Signed Approval: _____