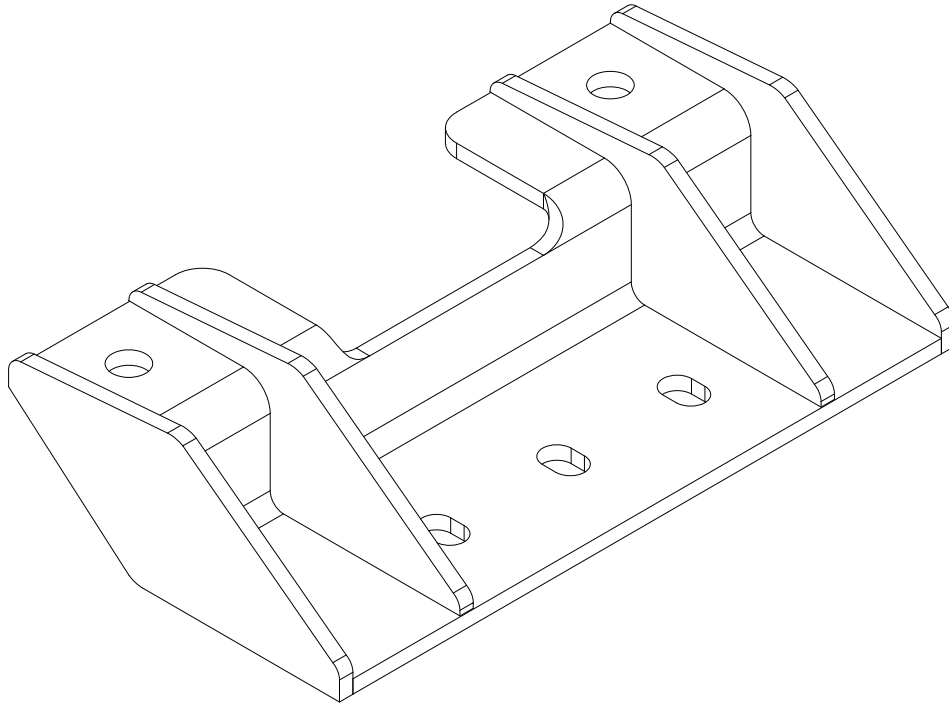


CL Challenger Lifts

INSTALLATION & OPERATION MANUAL SUPPLEMENT CL10 HUNTER ADAPTER KIT



FOR MODEL CL10

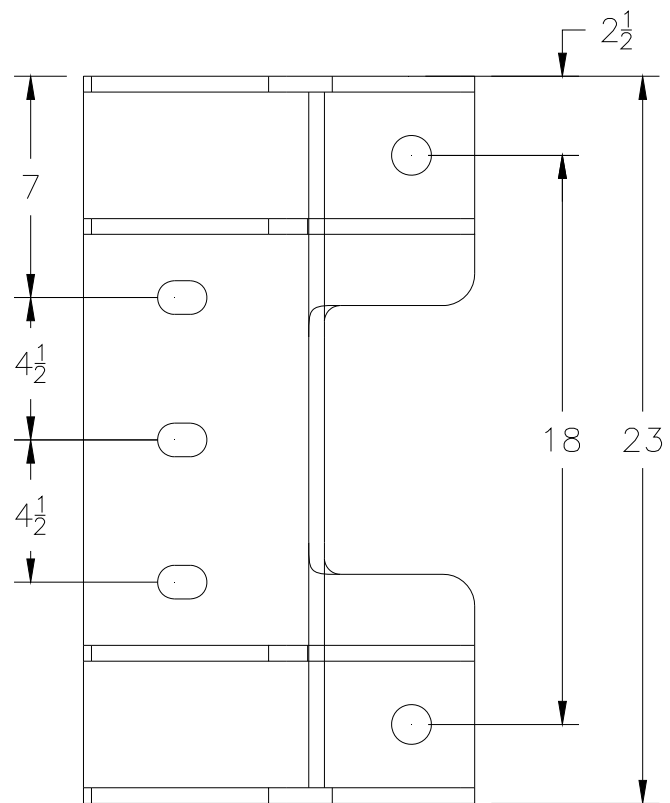
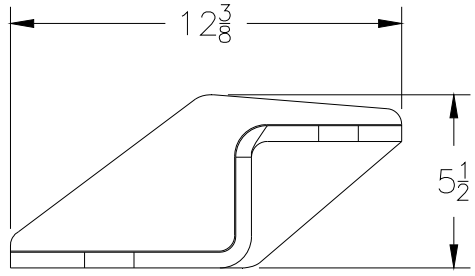
200 CABLE STREET, P.O. BOX 3944 LOUISVILLE, KENTUCKY 40201-3944
EMAIL: SALES@CHALLENGERLIFTS.COM WEB SITE: WWW.CHALLENGERLIFTS.COM
OFFICE 800-648-5438 / 502-625-0700 FAX 502-587-1933

**IMPORTANT: READ THIS MANUAL COMPLETELY BEFORE INSTALLING OR
OPERATING LIFT**

Read entire manual before assembling, installing, operating, or servicing this equipment. Proper maintenance and inspection is necessary for safe operation. DO NOT operate a damaged lift.

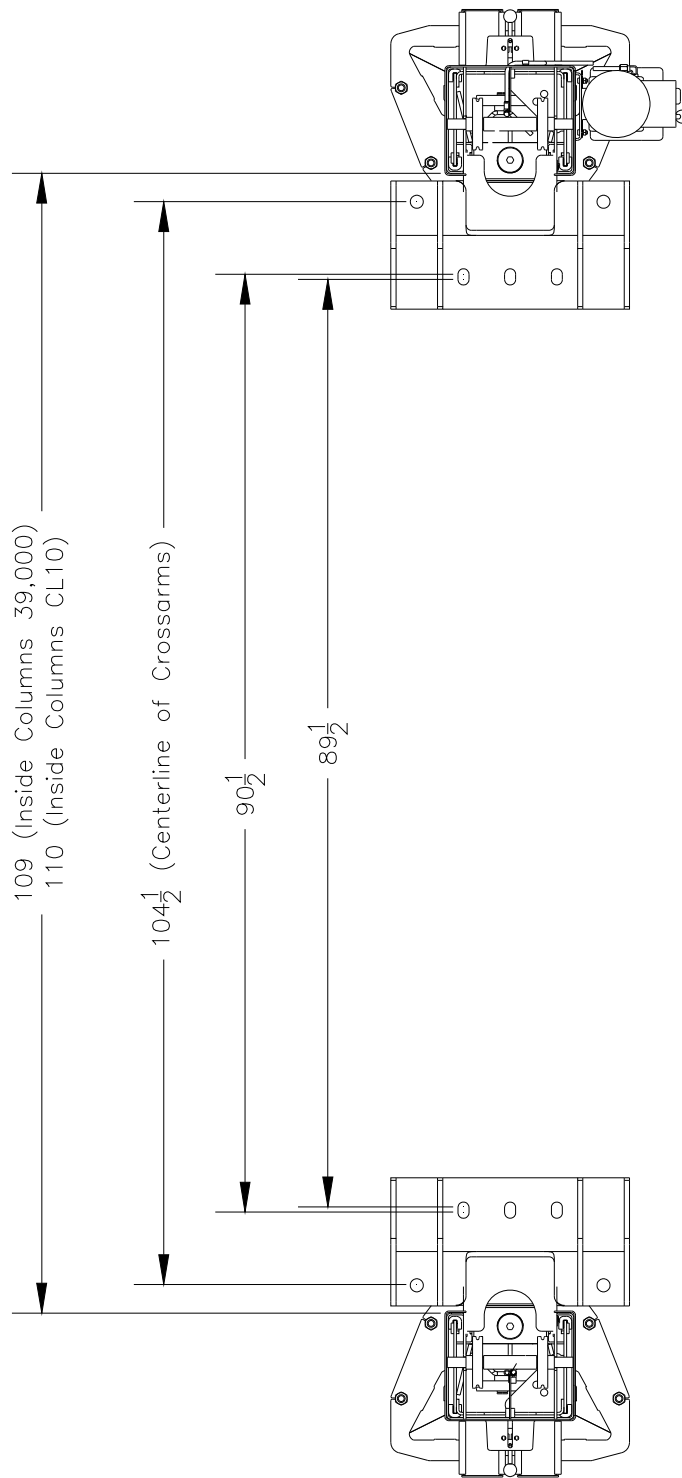
Hunter Adapter
Installation & Operation Supplement

General Specifications



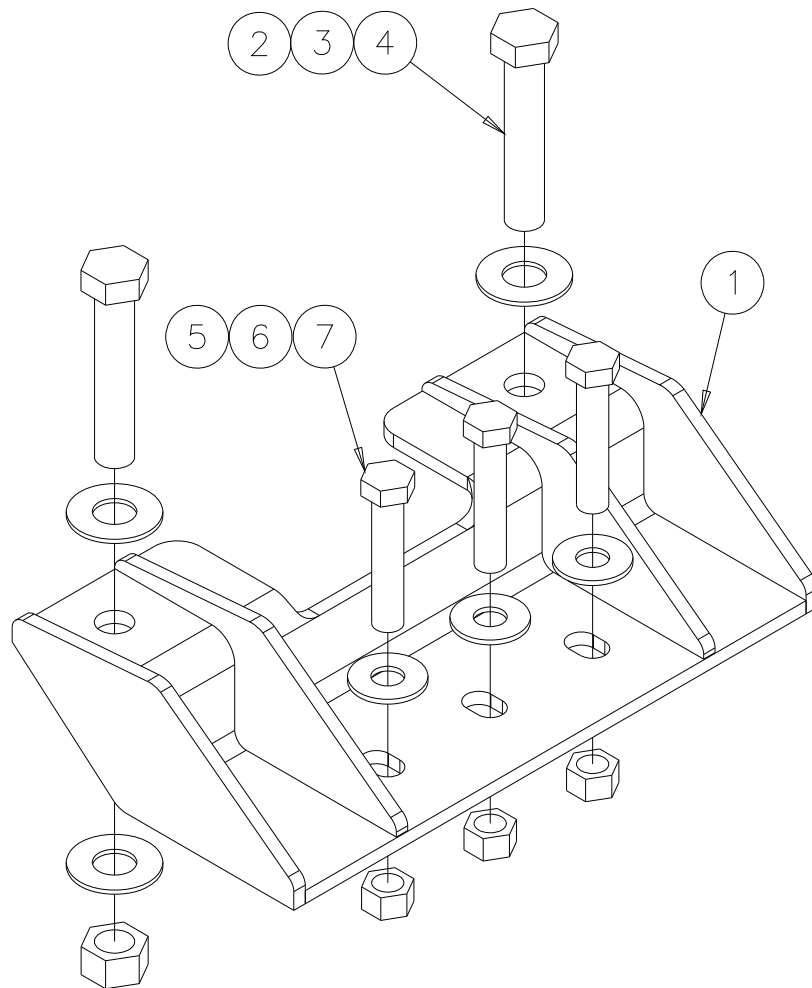
Hunter Adapter
Installation & Operation Supplement

INSTALLATION



Hunter Adapter
Installation & Operation Supplement

PARTS BREAKDOWN



| Item # | Part # | Qty./Lift | Description |
|--------|--------|-----------|-------------------------------------|
| 1 | 10401 | 2 | Hunter Adapter Bracket |
| 2 | 10030 | 4 | 1 ¼"-7 x 6 ½" HHCS, Plated, Grade 5 |
| 3 | 10032 | 8 | 1 ¼" Flat Washer, Plated |
| 4 | 10031 | 4 | 1 ¼"-7 Steel Lock Nut, Plated |
| 5 | 10175 | 6 | 1-8 x 5 HHCS, Plated, Grade 5 |
| 6 | 10176 | 6 | 1-8 Steel Lock Nut, Plated |
| 7 | 10177 | 6 | 1" Flat Washer, Plated |