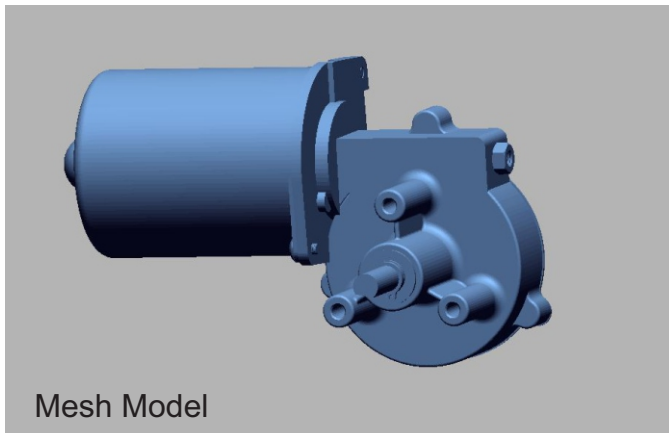


3D SCAN COST EXAMPLE

This example was taken from an actual scan project, and is broken down here in an attempt to help clients understand the processes and costs involved with scanning and creating usable files for further processing. The file types needed are determined by the intended use of the scan data.

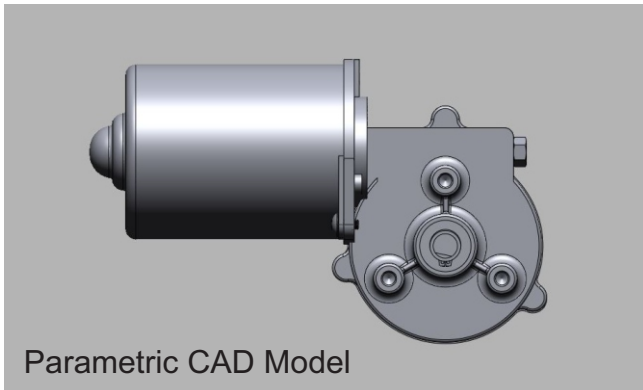
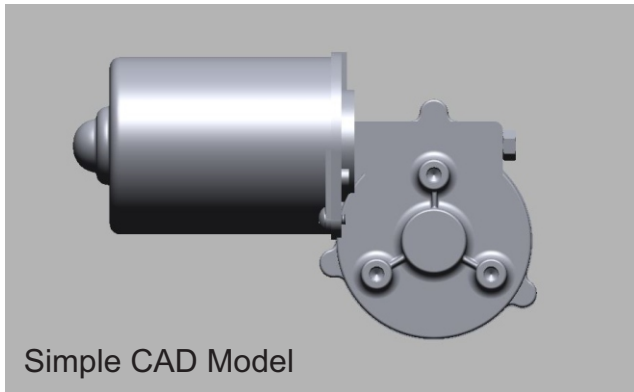
PROCESS	WORK DESCRIPTION	FILE OUTPUT TYPES	\$ COST
Scan part	raw mesh, no edits	mesh or point	12.50
Process scan	fill holes, clean mesh	mesh, .stl	52.00
Process mesh	create simple solids or surface, no edits	.stp, .igs, .dwg	110.00
Process mesh	create parametric solid or complex surface with future edit capability	native Solidworks or neutral files	248.00

This option would be for those who want to build and edit a model using their own software or build process.



Used for non-CAD representation, sometimes used for analysis. Also for those who want to reverse engineer from a mesh file, with appropriate software.

Often called a 'dumb' solid due to inability to easily edit the shape. Most often used as a placeholder in an assembly representing a part that won't require any changes, or as a part in an online catalog for download.



A 3D model that can be altered as needed, with the ability to link a drawing directly to the model. Any changes will automatically update, and a design tree exists in the native CAD format allowing maximum flexibility for any downstream uses.