

NPT FITTINGS

Fittings, Tubing and Nipples Features

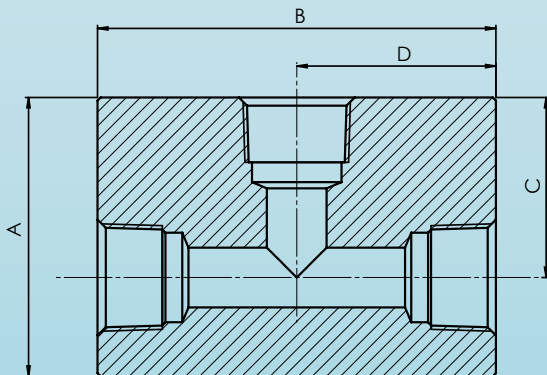
- Available in sizes 1/4", 3/8", 1/2", 3/4" and 1".
- National Pipe Thread
- 316 cold worked stainless for fittings and tubing.
- Operating temperatures from -400° F to 800° F.
- All items can be manufactured from special materials upon customer request.



NPT PART NUMBERING MATRIX

FITTING		CONNECTION			Material	
		Size	(inch)	Type		
B	BULK HEAD	4	1/4	NPT	None	316 SST
C	COUPLING	6	3/8		D4	17-4
E	ELBOW	8	1/2		D5	15-5
NPL	NIPPLE	12	3/4		I	INCONEL®
T	TEE	16	1			
X	CROSS					

EXAMPLE



Part Number T-8NPT:

TEE

15,000 PSI, 1/2", 316 SST Tee

**Dimensions are subject to change and are considered reference.*

NPT FITTINGS

ELBOW - TEE - CROSS

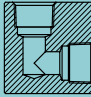
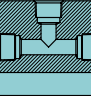
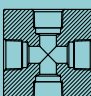
FITTING PATTERN	PART NUMBER	NOMINAL PIPE SIZE	PRESSURE RATING psi (bar)	MIN. OPENING	DIMENSIONS - INCHES (mm)				BLOCK THICKNESS
					A	B	C	D	
ELBOW SEE FIG. 1 	E-4NPT	1/4	15000	0.250	1.25	1.50	0.81	1.00	0.75
		(6.35)	(1034.48)	(6.35)	(31.75)	(38.10)	(20.57)	(25.40)	(19.05)
	E-6NPT	3/8	15000	0.375	1.50	1.50	1.00	1.00	1.00
		(9.53)	(1034.48)	(9.53)	(38.10)	(38.10)	(25.40)	(25.40)	(25.40)
	E-8NPT	1/2	15000	0.500	1.88	1.88	1.25	1.25	1.25
		(12.70)	(1034.48)	(12.70)	(47.75)	(47.75)	(31.75)	(31.75)	(31.75)
	E-12NPT	3/4	10000	0.625	2.12	2.62	1.38	1.31	1.50
	(19.05)	(689.66)	(15.88)	(53.85)	(66.55)	(35.05)	(33.27)	(38.10)	
	E-16NPT	1	10000	0.688	2.56	3.00	1.69	1.69	1.75
		(25.40)	(689.66)	(17.48)	(65.02)	(76.20)	(42.93)	(42.93)	(44.45)
TEE SEE FIG. 2 	T-4NPT	1/4	15000	0.250	2.00	1.25	1.00	0.81	0.75
		(6.35)	(1034.48)	(6.35)	(50.80)	(31.75)	(25.40)	(20.57)	(19.05)
	T-6NPT	3/8	15000	0.375	1.75	2.50	1.13	1.25	1.00
		(9.53)	(1034.48)	(9.53)	(44.45)	(63.50)	(28.70)	(31.75)	(25.40)
	T-8NPT	1/2	15000	0.500	1.25	1.75	1.25	1.25	1.25
		(12.70)	(1034.48)	(12.70)	(31.75)	(44.45)	(31.75)	(31.75)	(31.75)
	T-12NPT	3/4	10000	0.625	2.12	2.62	1.38	1.31	1.50
	(19.05)	(689.66)	(15.88)	(53.85)	(66.55)	(35.05)	(33.27)	(38.10)	
	T-16NPT	1	10000	0.688	2.56	3.38	1.69	1.69	1.75
		(25.40)	(689.66)	(17.48)	(65.02)	(85.85)	(42.93)	(42.93)	(44.45)
CROSS SEE FIG. 3 	X-4NPT	1/4	15000	0.250	2.00	2.00	1.00	1.00	0.75
		(6.35)	(1034.48)	(6.35)	(50.80)	(50.80)	(25.40)	(25.40)	(19.05)
	X-6NPT	3/8	15000	0.375	2.00	2.00	1.00	1.00	1.00
		(9.53)	(1034.48)	(9.53)	(50.80)	(50.80)	(25.40)	(25.40)	(25.40)
	X-8NPT	1/2	15000	0.500	2.50	2.50	1.25	1.25	1.25
		(12.70)	(1034.48)	(12.70)	(63.50)	(63.50)	(31.75)	(31.75)	(31.75)
	X-12NPT	3/4	10000	0.625	2.75	2.62	1.38	1.31	1.50
	(19.05)	(689.66)	(15.88)	(69.85)	(66.55)	(35.05)	(33.27)	(38.10)	
	X-16NPT	1	10000	0.688	4.12	4.12	2.06	2.06	1.75
		(25.40)	(689.66)	(17.48)	(104.65)	(104.65)	(52.32)	(52.32)	(44.45)

FIG. 1
ELBOW

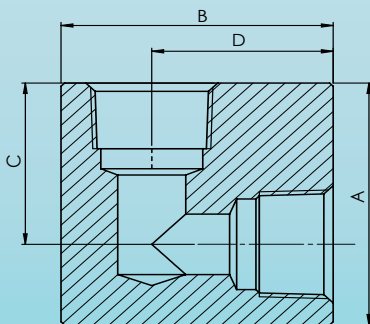


FIG. 2
TEE

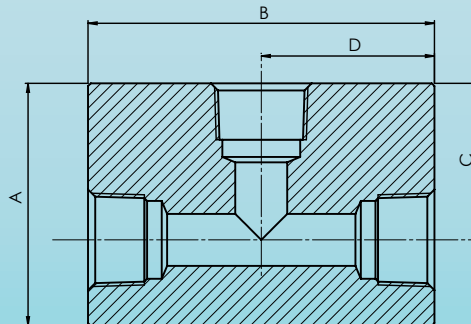
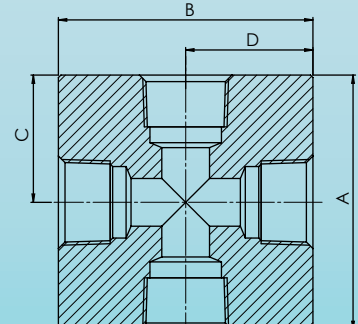


FIG. 3
CROSS




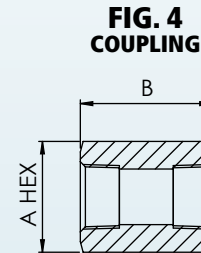
*Dimensions are subject to change and are considered reference.


NPT FITTINGS

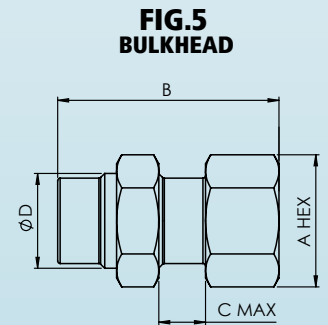
COUPLING - BULKHEAD - PLUG



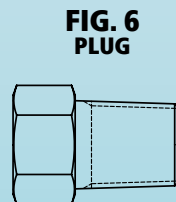
FITTING PATTERN	PART NUMBER	NOMINAL PIPE SIZE	PRESSURE RATING psi (bar)	MIN. OPENING	DIMENSIONS - INCHES (mm)	
					A	B
COUPLING SEE FIG. 4 	C-4NPT	1/4	15000	0.440	0.75	1.25
		(6.35)	(1034.48)	(11.18)	(19.05)	(31.75)
	C-4NPT-6NPT	1/4	15000	0.440	1	1.38
		(6.35)	(1034.48)	(11.18)	(25.40)	(35.05)
	C-4NPT-8NPT	1/4	15000	0.440	1.38	1.62
		(6.35)	(1034.48)	(11.18)	(35.05)	(41.15)
	C-6NPT	3/8	15000	0.560	1.00	1.38
		(9.53)	(1034.48)	(14.22)	(25.40)	(35.05)
	C-6NPT-8NPT	3/8	15000	0.560	1.38	1.63
		(9.53)	(1034.48)	(14.22)	(35.05)	(41.40)
	C-8NPT	1/2	15000	0.700	1.38	1.50
		(12.70)	(1034.48)	(17.78)	(35.05)	(38.10)
	C-8NPT-12NPT	1/2	10000	0.700	1.38	1.50
		(12.70)	(689.66)	(17.78)	(35.05)	(38.10)
	C-12NPT	3/4	10000	0.625	1.38	1.75
		(19.05)	(689.66)	(15.88)	(35.05)	(44.45)
C-12NPT-16NPT	3/4	10000	0.688	1.75	2.19	
	(19.05)	(689.66)	(17.48)	(44.45)	(55.63)	
C-16NPT	1	10000	0.688	1.75	2.18	
	(25.40)	(689.66)	(17.48)	(44.45)	(55.37)	



FITTING PATTERN	PART NUMBER	NOMINAL PIPE SIZE	PRESSURE RATING psi (bar)	MIN. OPENING	DIMENSIONS - INCHES (mm)		PANEL THICKNESS - C	PANEL HOLE - D
					A HEX	B		
BULKHEAD SEE FIG. 5 	B-4NPT	1/4	15000	0.250	1.00	2.00	0.38	0.94
		(6.35)	(1034.48)	(6.35)	(25.40)	(50.80)	(9.65)	(23.88)
	B-6NPT	3/8	15000	0.375	1.37	2.62	0.50	1.38
		(9.53)	(1034.48)	(9.53)	(34.80)	(66.55)	(12.70)	(34.93)
	B-8NPT	1/2	15000	0.50	1.37	2.62	0.50	1.14
		(12.70)	(1034.48)	(12.70)	(34.80)	(66.55)	(12.70)	(28.96)
	B-12NPT	3/4	10000	0.625	1.88	2.62	0.50	1.69
		(19.05)	(689.66)	(15.88)	(47.75)	(66.55)	(12.70)	(42.93)
	B-16NPT	1	10000	0.688	2.12	3.50	0.50	1.95
		(25.40)	(689.66)	(17.48)	(53.85)	(88.90)	(12.70)	(49.53)



FITTING PATTERN	PART NUMBER	NOMINAL PIPE SIZE	PRESSURE RATING psi (bar)
PLUG SEE FIG. 6	PLG-4NPT	1/4	15,000
		(6.35)	(1378.95)
	PLG-6NPT	3/8	15,000
		(9.53)	(1378.95)
	PLG-8NPT	1/2	15,000
		(12.70)	(1378.95)
	PLG-12NPT	3/4	10,000
	(19.05)	(689.66)	
PLG-16NPT	1	10,000	
	(25.4)	(689.66)	



*Dimensions are subject to change and are considered reference.