

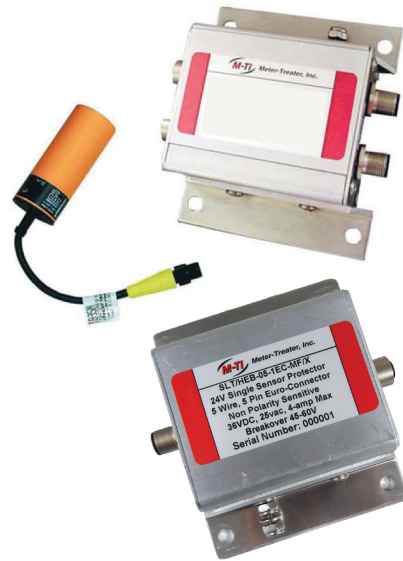


# SLT-HEB Series

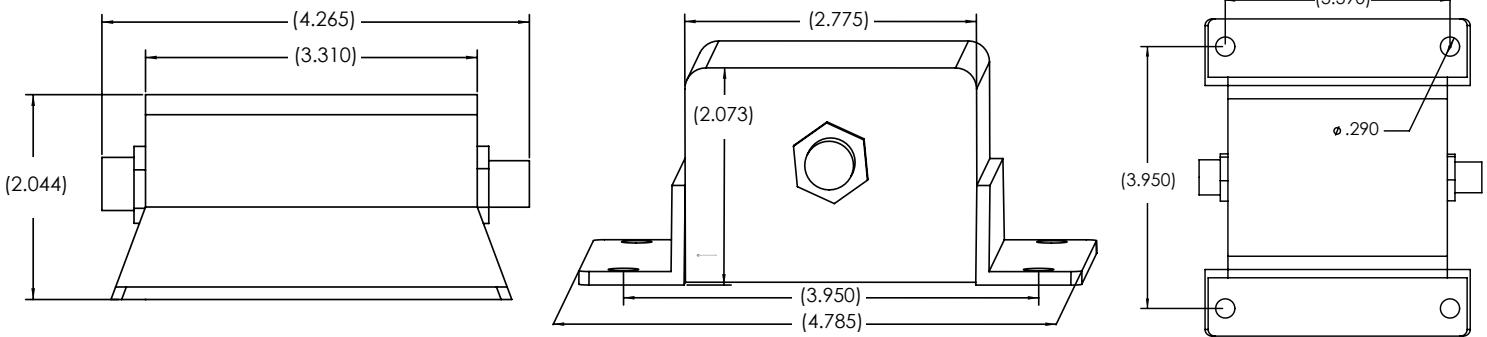
High Energy Surge  
Protection Device  
for Sensors

The **SLT/HEB Series** of protectors is available as either a 4, 5, 8, or 10 Wire SPD (surge protective device) unit that will interface directly, in series, with 4 or 5 pin M12/Euro/DC Micro Connectors. Models are **unidirectional** due to connector configuration; where the male connector equals Line Side (unprotected) and the female equals the Load Side (protected). Circuit performance is bidirectional.

Unit is housed in a potted aluminum case with either Zytel plastic or aluminum end caps. An external ground stud is provided in addition to the two (2) grounded mounting brackets that are bolted to the case.



## Dimensions



(Diagrams not drawn to scale)

Electrical Specifications	
Max. Surge Current	8kA or 10kA
Max. Operating Voltage	36 Volts DC
Max. Operating Frequency	15 MHz
Max. Clamp Voltage	54.4 Volts @ 200 Amps/450 Volts
Surge Technology	High Energy Silicon Avalanche Diode Array (SAD)
Energy Rating/Wire	402.5 Joules
Response Time	< 1 Picosecond
UL Flammability Class	94 V-0
Listings & Certifications	UL Listed
Connectors	4 or 5 Pin Rigid M12 Connectors Male & Femals (DC Micro - Euro)
Enclosure	Aluminum Extrusion Zytel or Aluminum End Caps
Max. Operating Temp.	-40° to + 125°C
Warranty	10 Year Product Warranty

Product Dimensions
4.55" L x 4.75" W x 2.26" H (includes mounting bracket)

Model Number	Wires
SLB/HEB-04-1EC-MF/X	4 Wires (1 Connector)
SLT/HEB-05-1EC-MF/X	5 Wires (1 Connector)
SLB/HEB-08-1EC-MF/X	8 Wires (2 Connector)
SLB/HEB-10-2EC-MF/X	10 Wires (2 Connectors)

All product dimensions provided are  $\pm 0.125$

Meter Treater: 1349 South Killian Drive • Lake Park, FL 33403

Email: [sales@metertreater.com](mailto:sales@metertreater.com)

Sales: 561.845.2007 Toll: Free: 800.638.3788 Fax: 561.848.2372

Website: [www.metertreater.com](http://www.metertreater.com)