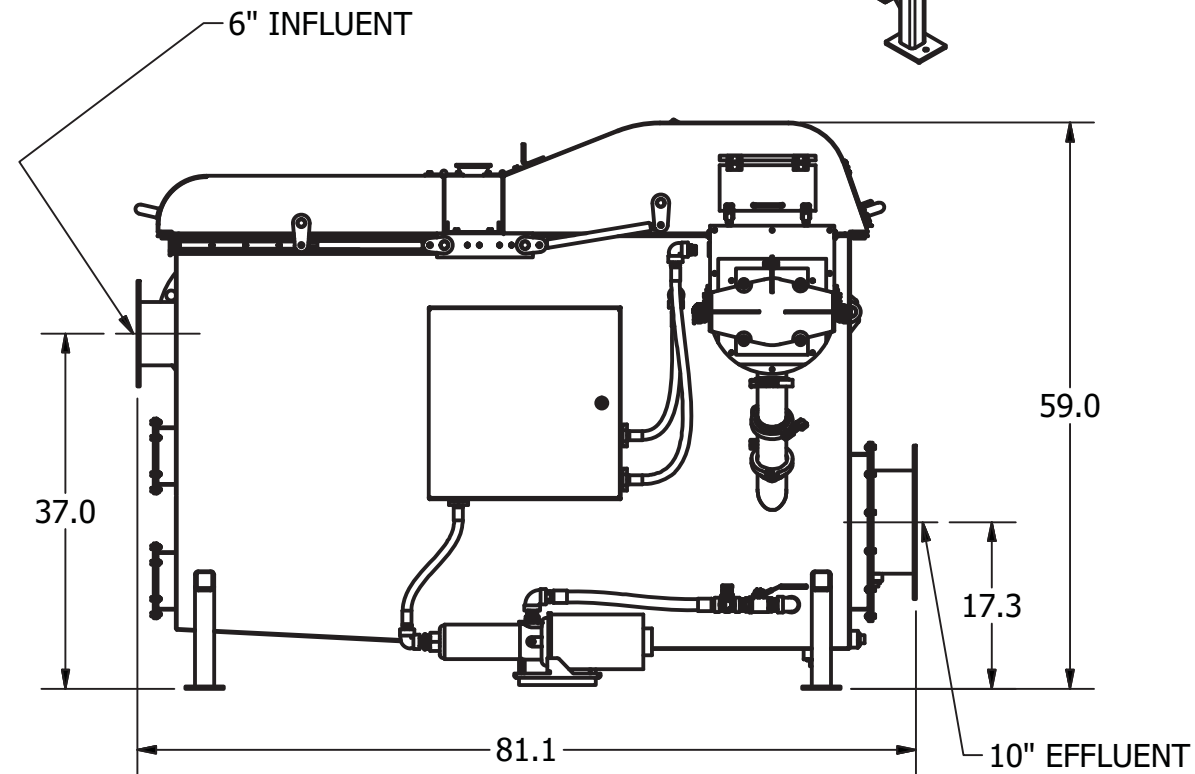
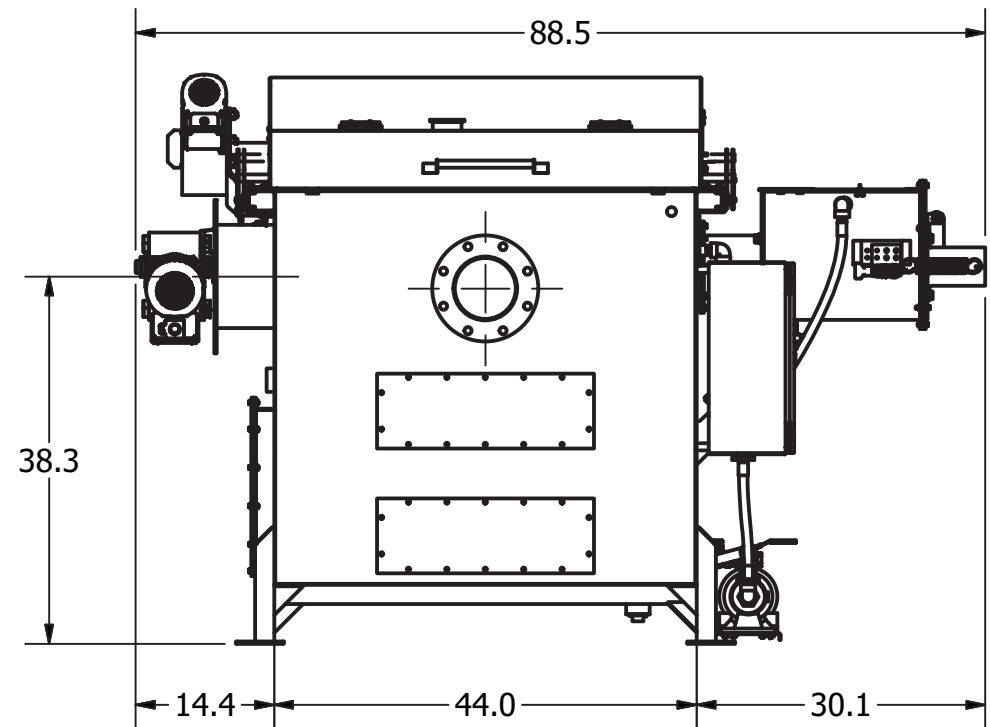
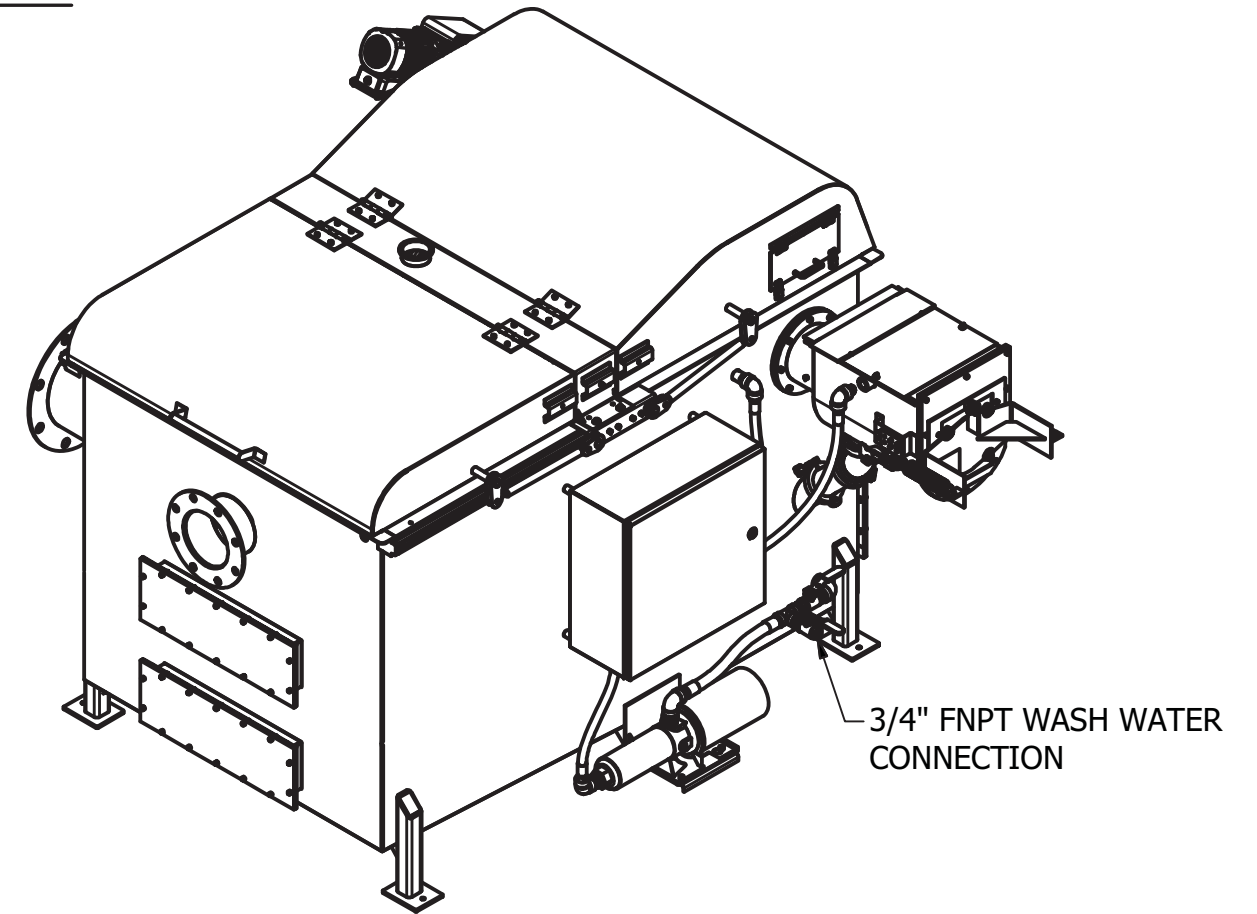
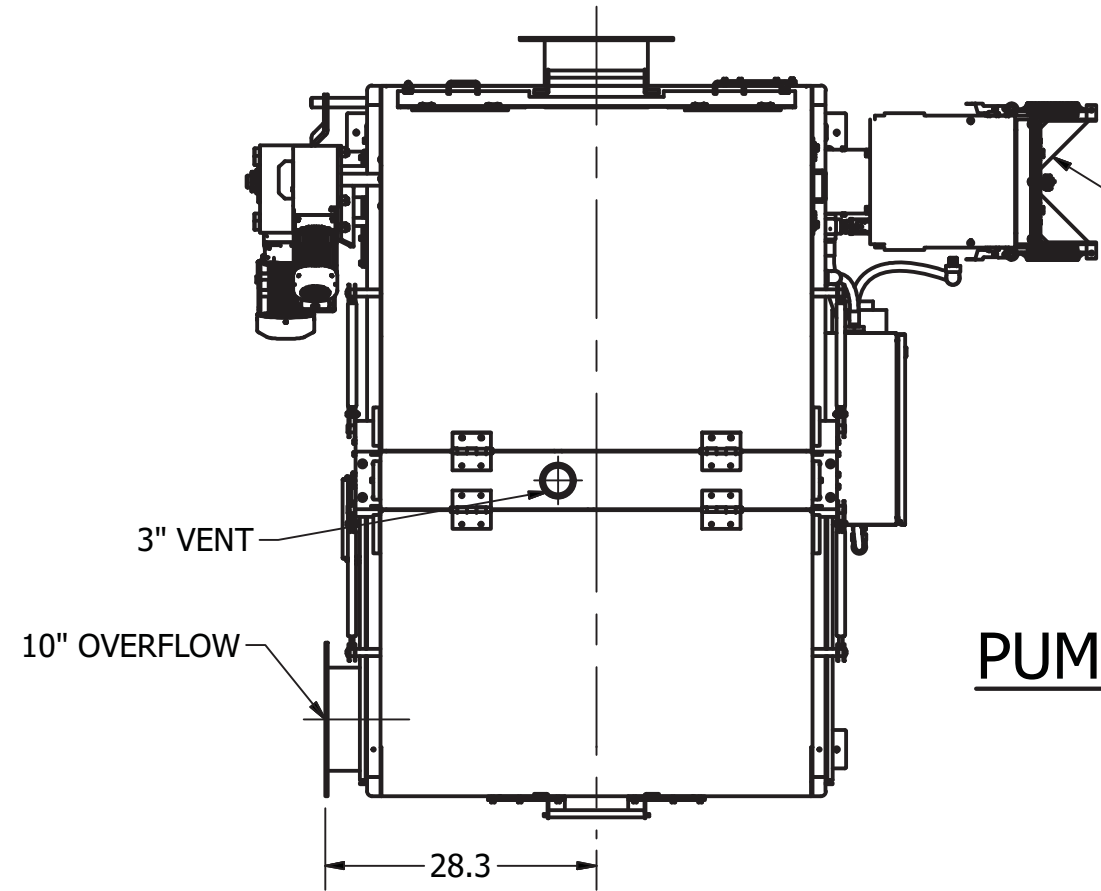


NOT FOR CONSTRUCTION

PUMPED INLET MODEL



REV	DESCRIPTION	BY	CHK'D	APP'D	DATE
0	FOR INFORMATION	JCM	AHM	MWA	1/30/15



WWW.MITCHERSON.COM (713) 306-2274

TITLE: ES-940 GENERAL ASSEMBLY

DRAWING NUMBER: ES-940HF

- UNLESS OTHERWISE SPECIFIED:
1. DIMENSIONAL TOLERANCES APPLY .X ± .030 FRACTIONS ± 1/16 .XX ± .010 ANGLES ± 0°30'
 2. DIMENSIONS ARE IN INCHES .XXX ± .005
 3. DEBURR AND BREAK ALL SHARP EDGES, R .020 .XXX ± .005

DRAWN BY: JCM
DATE: 1/30/2015

WT. / LBS. 1840.9
lbmass
SHEET 1 OF 1
REVISION: 0