

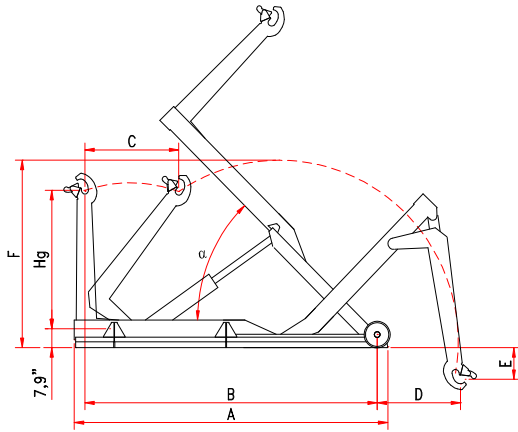


b.o.b. Sistemi Idraulici S.p.A.

unilift[®]

COMPANY WITH
QUALITY SYSTEM
CERTIFIED BY DNV GL
= ISO 9001 =

HOOKLIFT « A 18.000 »



MODEL	A 18.000 C	A 18.000 N	A 18.000 L	A 18.000 XL	A 18.000 XXL
Hg	53,88"/61,75" (1.369/1.569 mm)	53,88"/61,75" (1.369/1.569 mm)	53,88"/61,75" (1.369/1.569 mm)	53,88"/61,75" (1.369/1.569 mm)	53,88"/61,75" (1.369/1.569 mm)
A	124,6" (3.165 mm)	132,48" (3.365 mm)	140,35" (3.565 mm)	148,22" (3.765 mm)	156,1" (3.965 mm)
B	116,14" (2.950 mm)	124,01" (3.150 mm)	131,88" (3.350 mm)	139,76" (3.550 mm)	147,63" (3.750 mm)
C	39,37" (1.000 mm)	39,37" (1.000 mm)	39,37" (1.000 mm)	39,37" (1.000 mm)	39,37" (1.000 mm)
D	38,38" (975 mm)	30,51" (775 mm)	22,63" (575 mm)	32,87" (835 mm)	25" (635 mm)
E	17,71" (450 mm)	17,71" (450 mm)	17,71" (450 mm)	25,59" (650 mm)	25,59" (650 mm)
F	77,95" (1.980 mm)	77,95" (1.980 mm)	77,95" (1.980 mm)	86,22" (2.190 mm)	86,22" (2.190 mm)
Weight*	2.024 lb (920 Kg)	2.090 lb (950 Kg)	2.150 lb (980 Kg)	2.420 lb (1.100 Kg)	2.480 lb (1.130 Kg)
α	52°	46°	42°	52°	47°
Container min. max.	10' – 12' (3.050 – 3.650 mm)	11' – 13' (3.350 – 3950 mm)	12' – 13' (3.650 – 3.950 mm)	12' – 14' (3.650 – 4.250 mm)	13' – 15' (3.950 – 4.550 mm)
LIFTING CAPACITY	18.000 lb (8.180 Kg)	18.000 lb (8.180 Kg)	18.000 lb (8.180 Kg)	18.000 lb (8.180 Kg)	18.000 lb (8.180 Kg)
TIPPING CAPACITY	18.000 lb (8.180 Kg)	18.000 lb (8.180 Kg)	18.000 lb (8.180 Kg)	18.000 lb (8.180 Kg)	18.000 lb (8.180 Kg)

*Weight: basic hooklift weight without kit and options

The technical details shown in this sheet are indicative and can be changed by the builder without prior notice

B.O.B. Sistemi Idraulici S.p.A. – Regione Oltre Rea, 32 – 12060 Monchiero (CN) - Italia

P. I.V.A. 00496180043 - Tel.: +39 (0173) 780002/3 – Fax: +39 (0173) 780004

Internet: www.bobspa.com - E-mail: info@bobspa.com