

I N S T A L L A T I O N   I N S T R U C T I O N S  
N O R C O L D   R E F R I G E R A T O R S

FOR INSTALLING IN A TRAILER COACH OR MOBILE HOME

1. FIRST STUDY THE DETAILED DRAWING PROVIDED OF THE APPROVED INSTALLATION.
2. THE INSTALLATION OF THIS REFRIGERATOR SHALL BE MADE IN SUCH A MANNER AS TO SEPARATE THE COMBUSTION SYSTEM FROM THE LIVING SPACE OF THE TRAILER. OPENING AT FRONT BETWEEN CABINET AND REFRIGERATOR MUST BE MOLDED OR OTHER SUITABLE SEALING METHOD USED.

3. THE APPROVED MINIMUM CLEARANCES TO COMBUSTIBLE MATERIALS ARE AS FOLLOWS:

SIDES - 0" CLEARANCE    BACK 0" CLEARANCE    BOTTOM 0" CLEARANCE  
TOP 0" CLEARANCE EXCEPT FOR THE TOTAL AREA ABOVE THE CONDENSER IN  
ORDER TO PROVIDE PROPER VENTILATION ON MODELS

624G & 624GE    5 $\frac{1}{2}$ " x 21  $\frac{3}{4}$ "  
626G & 626GE    5 $\frac{1}{2}$ " x 23  $\frac{5}{8}$ "

4. DRAWINGS ARE PROVIDED THAT CLEARLY INDICATE MEANS TO SECURE ADEQUATE VENTILATION FOR THE COOLING UNIT. WHERE LOUVERS ARE SHOWN THE MINIMUM OPENING MUST BE AT LEAST EQUAL IN AREA TO THAT SHOWN AND IN LIKE LOCATION. THE UPPER AND LOWER LOUVERS GROUPS EACH HAVE TWO ROWS OF 12 LOUVERS. FREE AREA IN EACH SECTION IS 78 SQ. INCH. INSTALLATION MUST HAVE EQUIVALENT AREA WITH NO DIMENSION LESS THAN  $\frac{3}{4}$ ".
5. THE REFRIGERATOR MUST BE SECURED TO THE TRAILER WITH SCREWS OR BOLTS AT EACH CORNER THROUGH THE BASE ANGLES.
6. TO CONNECT THE GAS TO THE REFRIGERATOR, USE TUBING AND FITTINGS AS REQUIRED BY LOCAL, STATE, OR NATIONAL CODES GOVERNING SIZE AND TYPE. THE GAS CONNECTION IS  $\frac{3}{8}$ " FLARED TUBING AND IS LOCATED ON THE END OF THE MANUALLY OPERATED GAS VALVE.
7. THE GAS LINE SHOULD NOT BE RUN THROUGH THE SIDE WALLS NEXT TO THE REFRIGERATOR OR UP THROUGH THE BOTTOM. GAS LINE SHOULD ENTER AREA AT THE REAR OF BACK CROSS RAIL, TO PERMIT THE APPLIANCE TO BE INSTALLED AND SERVICED FREE OF ANY INTERFERENCE.
8. AFTER THE REFRIGERATOR IS INSTALLED, ALL GAS CONNECTIONS MUST BE LEAK TESTED WITH A SOAP SOLUTION.

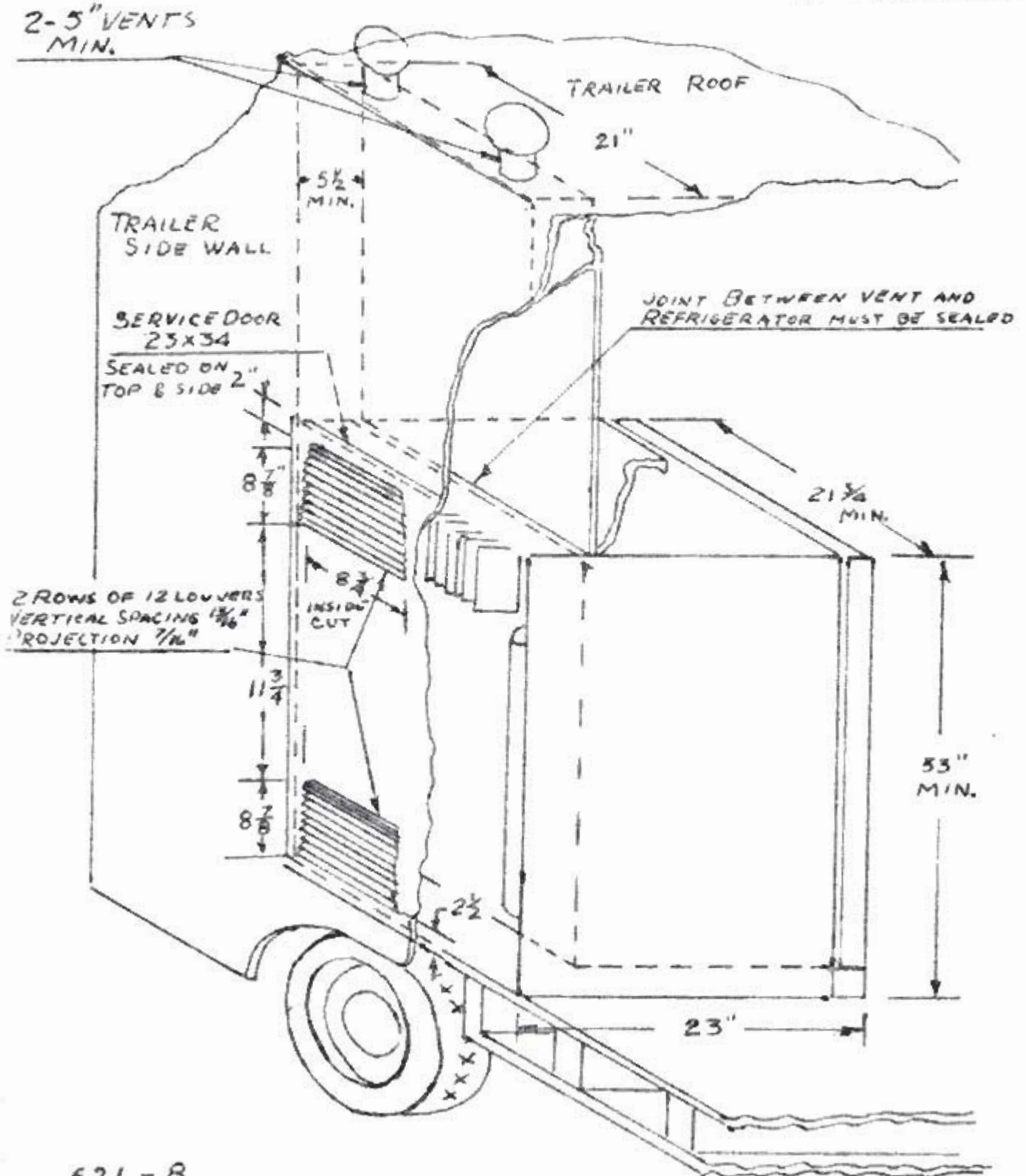
DO NOT ATTEMPT TO LIGHT THE BURNER  
UNTIL ALL JOINTS ARE TIGHT AND THERE  
IS NO EVIDENCE OF GAS LEAKAGE.

NO. S 105

NORCOLD INC.

MODEL 624G & 624EG  
624SG & 624SEG

APPROVED INSTALLATION

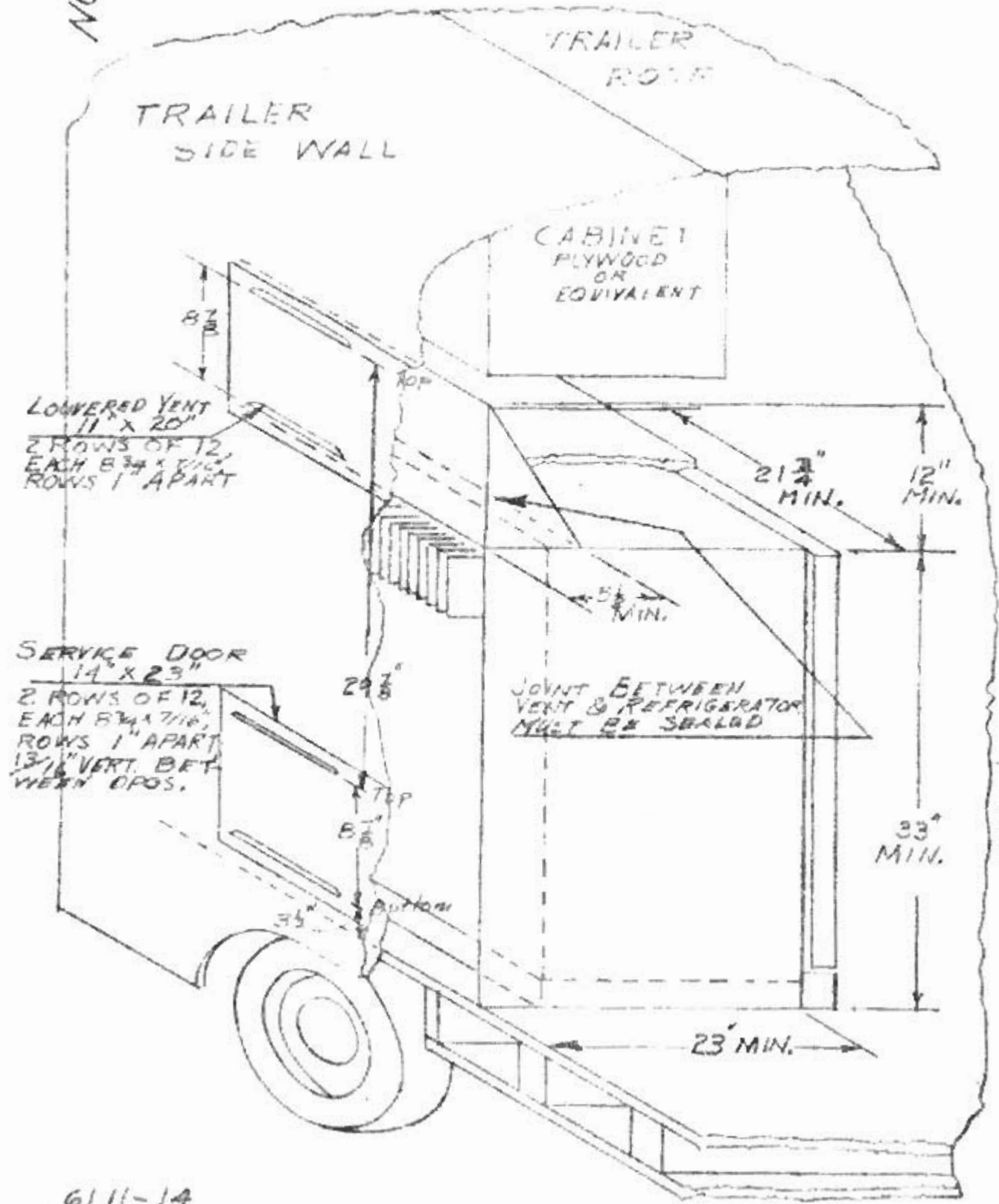


621-8

S-105

NO. S-104-3

NORCOLD, INC.  
MODEL 624G & 624GE  
APPROVED TRAILER INSTALLATION



6111-14  
revised 1-3-62  
1-17-62  
1-23-62

© COPYRIGHT 1962 NORCOLD, INC.

No. S-104-3