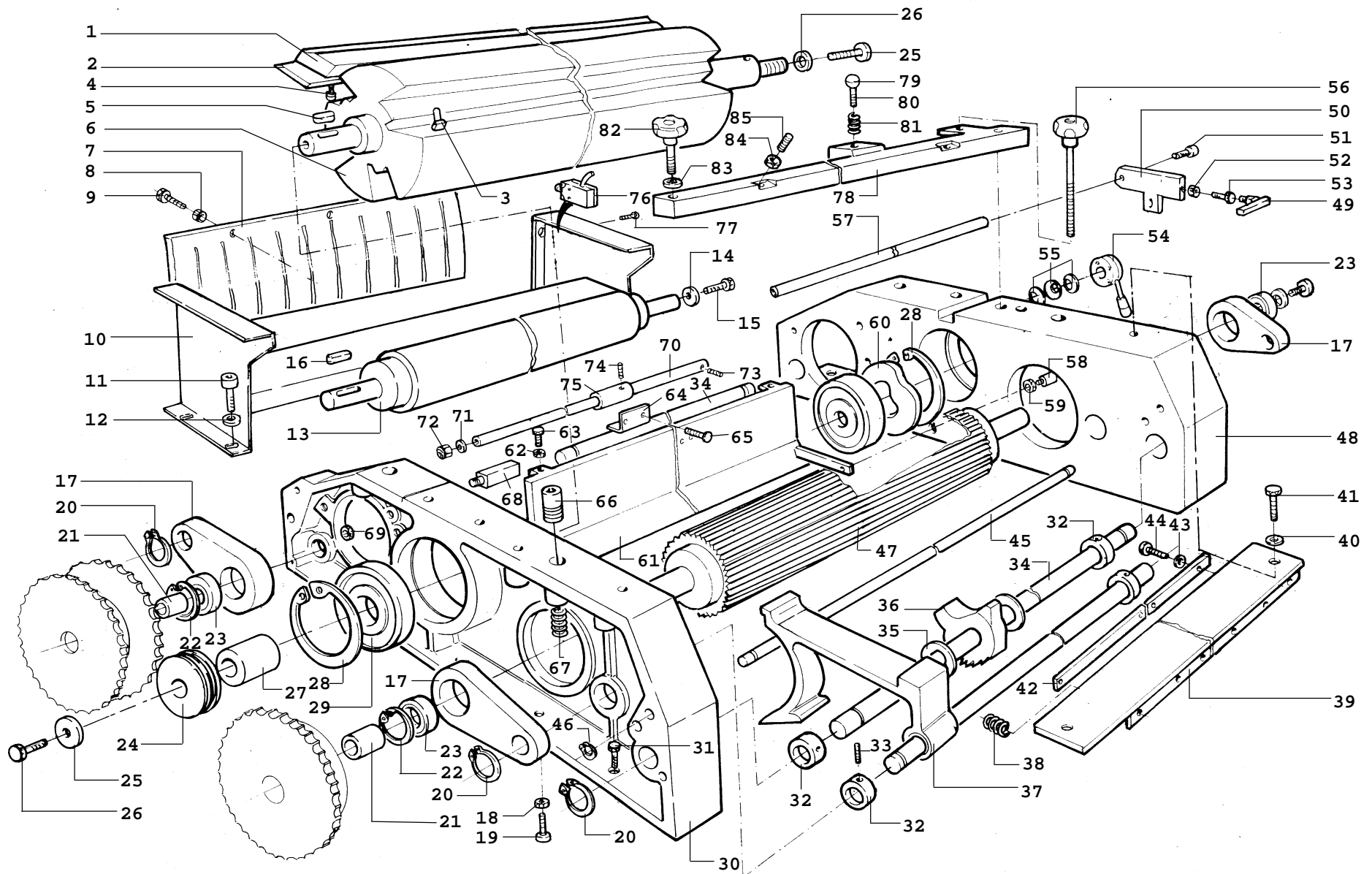


CATALOGO RICAMBI  
SPARE PARTS LIST  
CATALOGUE DES PICES  
DETACHEES  
ERSATZTEILKATALOG  
CATALOGO RECAMBIOS

**S515-S630**

Validità fino al 23-01-98



S515-S630

10.93

TAV. 82

RIF.	CODE			QUANTITA'
	S515-S630	S515	S630	QUANTITY QUANTITE MENGE CANTIDAD
1		7398027	7398003	4
2		8110904	8111008	4
3	7881208			16
4	7481001			16
5	8101159			1
6		7020119	7020120	1
7		7289011	7289012	1
8	8153034			4
9	8885057			4
10		6785176	6785177	1
11	8885102			4
12	8715500			4
13		7734023	7734025	1
14	8715404			4
15	8885078			4
16	8101156			3
17	7065024			4
18	8154003			4
19	8885107			4
20	8023152			6
21	7169037			1
22	8030046			4
23	8130270	6205 2RS		4
24	6642083			1
25	8715505			2
26	8885102			2
27	7169074			1
28	8030063			2
29	8130438	62208-2RS		2
30	6685149			1
31	8885102			6
32	7020508			4
33	8280697			4
34		7608747	7608748	3
35	7169002			26/33

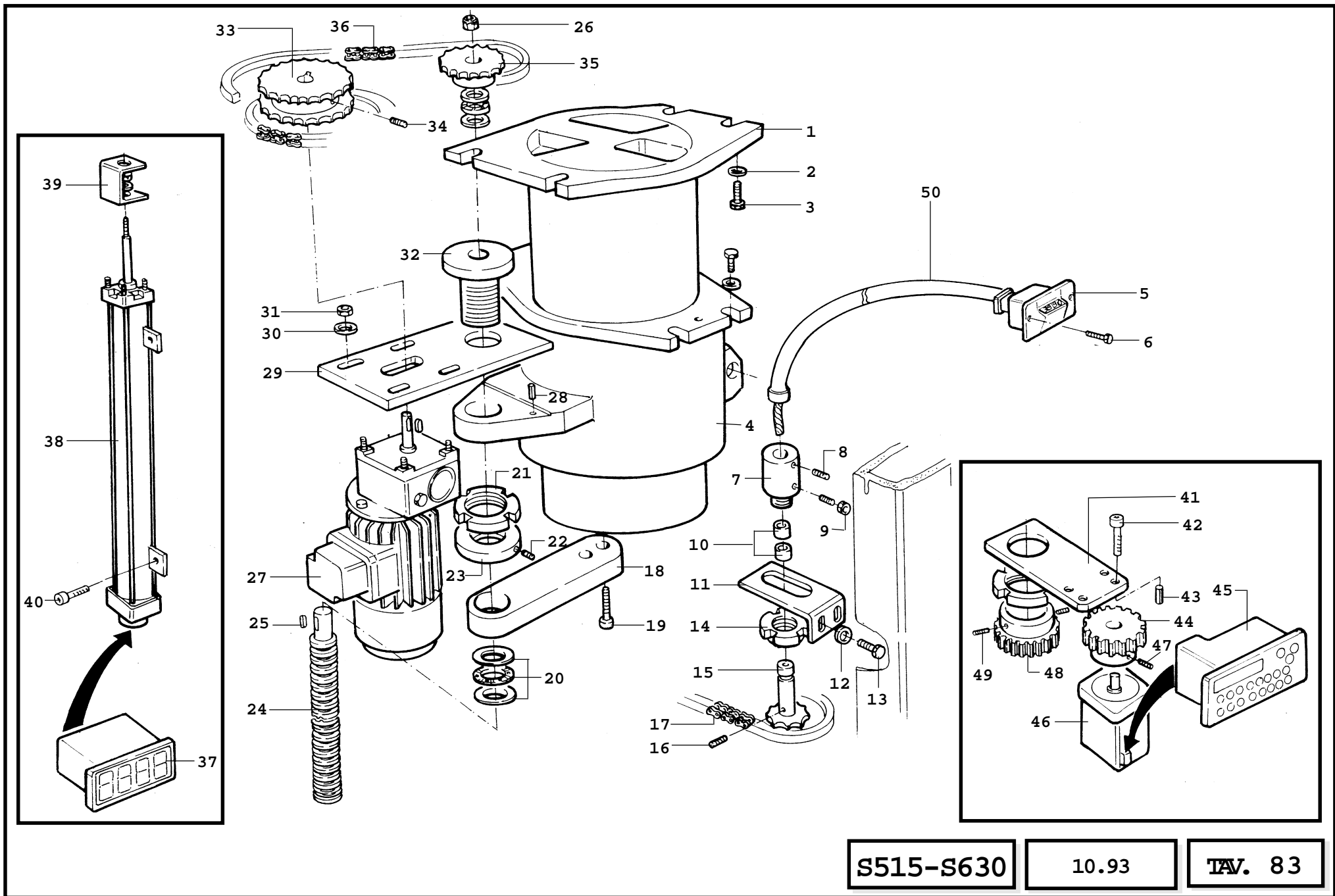
RIF.	CODE			QUANTITA'
	S515-S630	S515	S630	QUANTITY QUANTITE MENGE CANTIDAD
36	7453001			27/34
37	6631004			10/12
38	7481047			10/12
39		6785152	6785153	1
40	8715601			2
41	8885123			2
42		6053013	6053014	1
43	8715402			4/5
44	8885078			4/5
45		7608364	7608365	1
46	8023139			2
47		7734024	7734026	1
48	6785148			1
49	8472002			1
50	6065034			2
51	8885078			2
52	8153037			1
53	8885107			1
54	7889012			1
55	8472202			4
56	8892064			1
57		7608517	7608516	1
58	8280557			2
59	8153038			2
60	8030183			1
61		6631005	6631006	1
62	8154002			2
63	8885082			2
64	7481048			1
65	8885054			2
66	6295006			4
67	6481066			4
68	6053015			2
69	8153038			2
70		7608366	7608367	1

RIF.	CODE			QUANTITA'
	S515-S630	S515	S630	QUANTITY QUANTITE MENGE CANTIDAD
71	8715601			1
72	8153007			1
73	8772014			1
74	7070513			1
75	8280078			1
76	8472006			1
77	8883022			2
78		6023002	6023003	1
79	8753152			1
80	7608255			1
81	7481001			1
82	8882099			2
83	8715005			2
84	8153038			2
85	8280405			2

S515-S630

10.93

TAV. 82

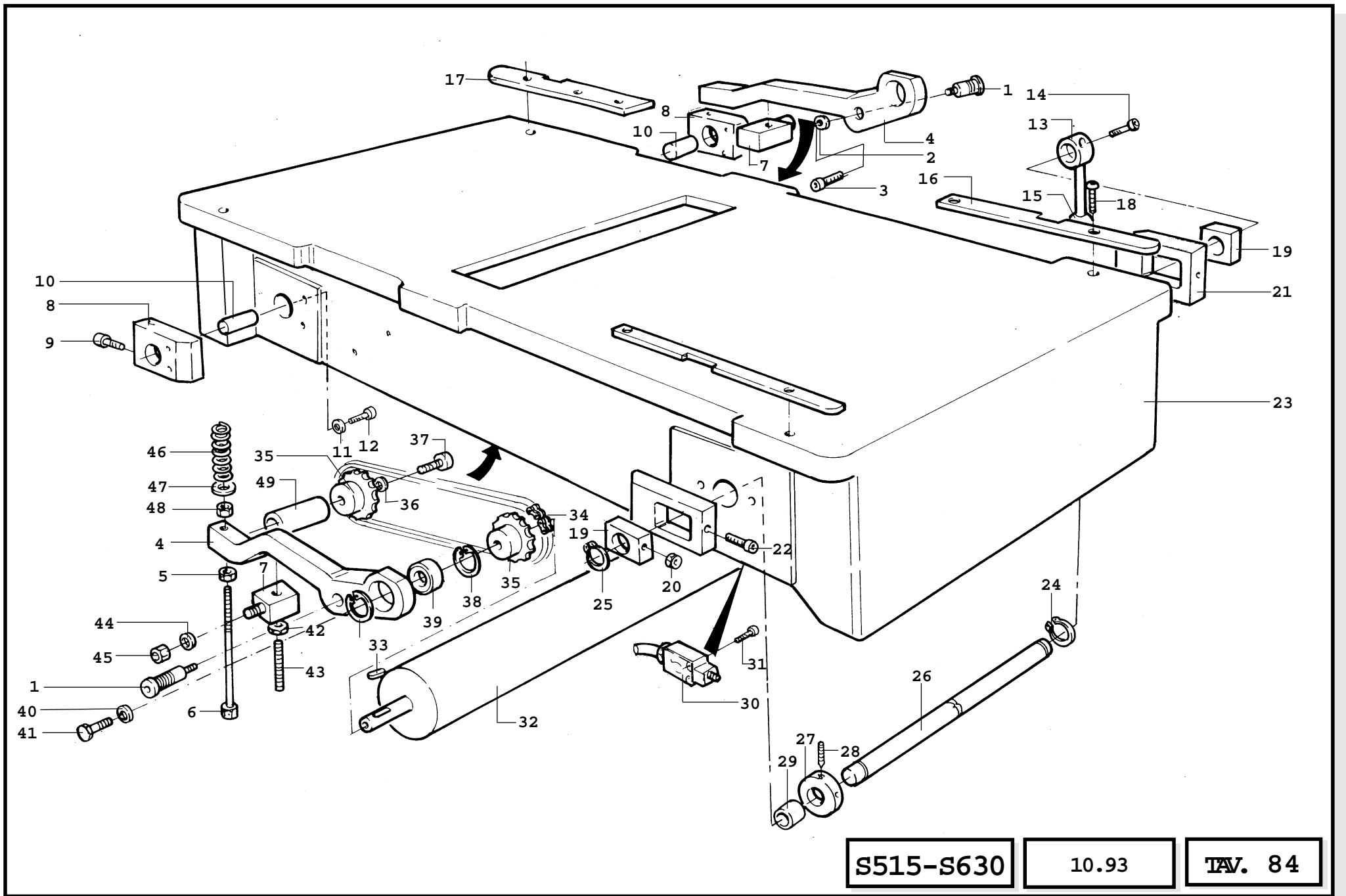


S515-S630

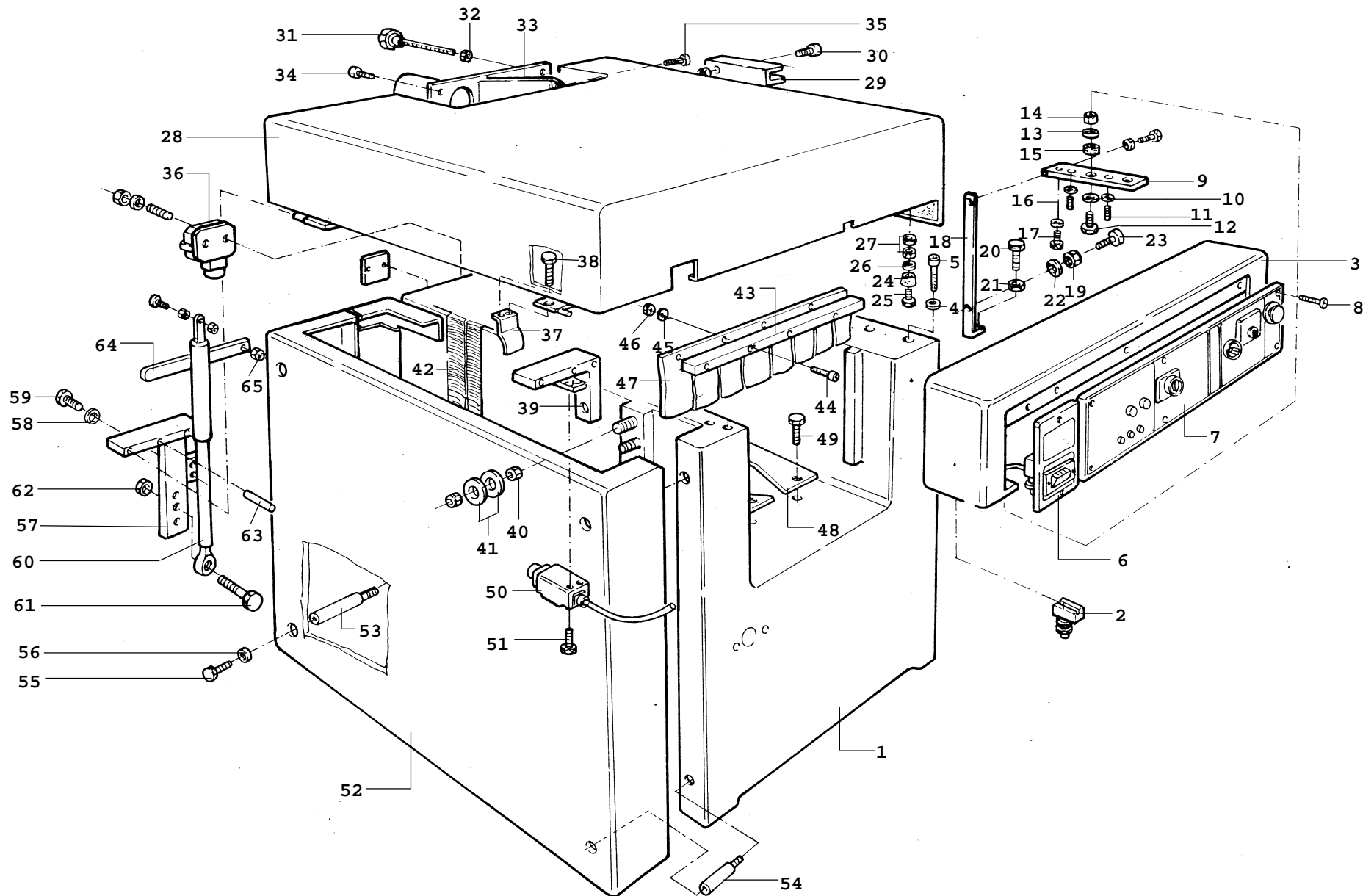
10.93

TAV. 83









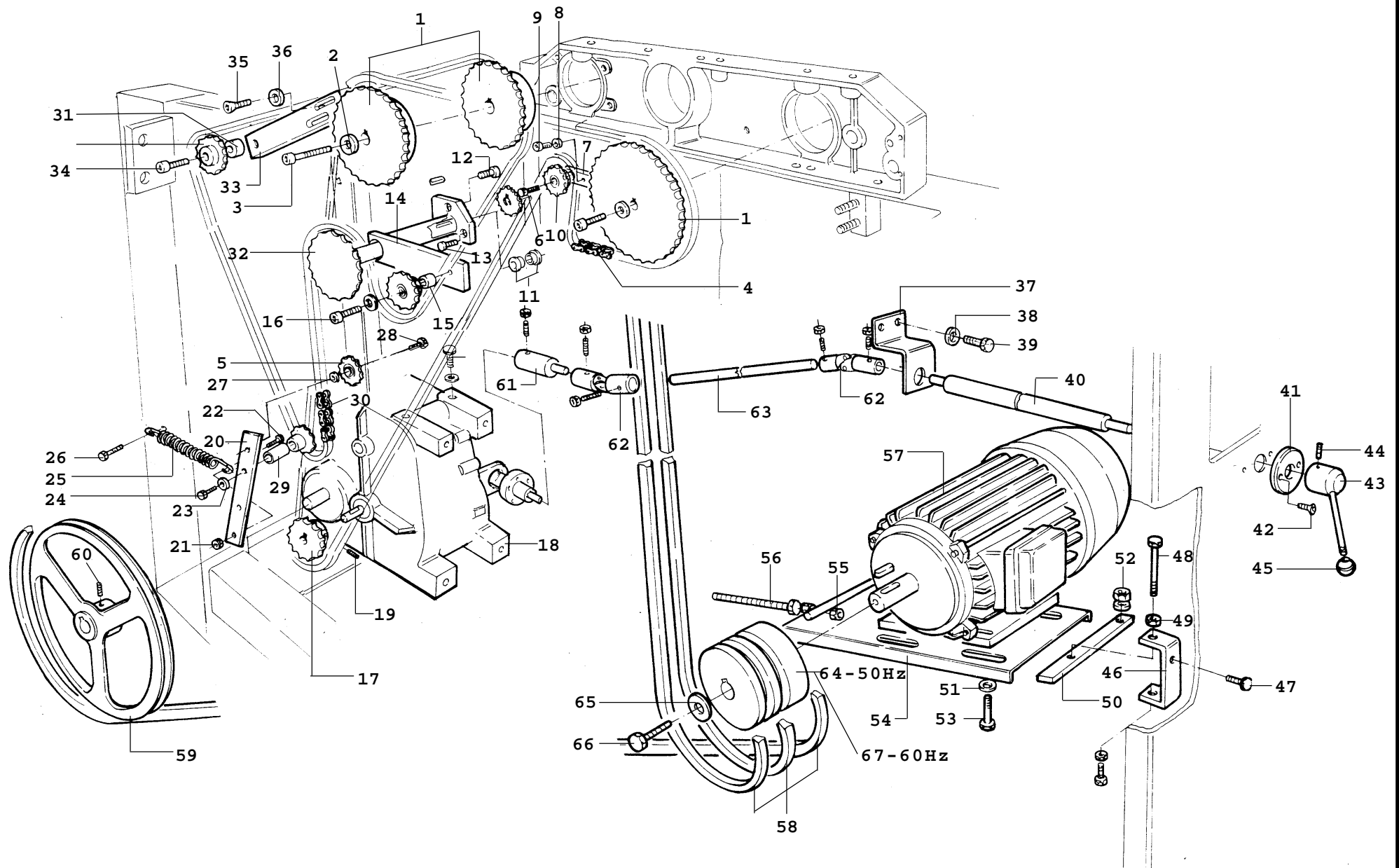
S515-S630

10.93

TAV. 85





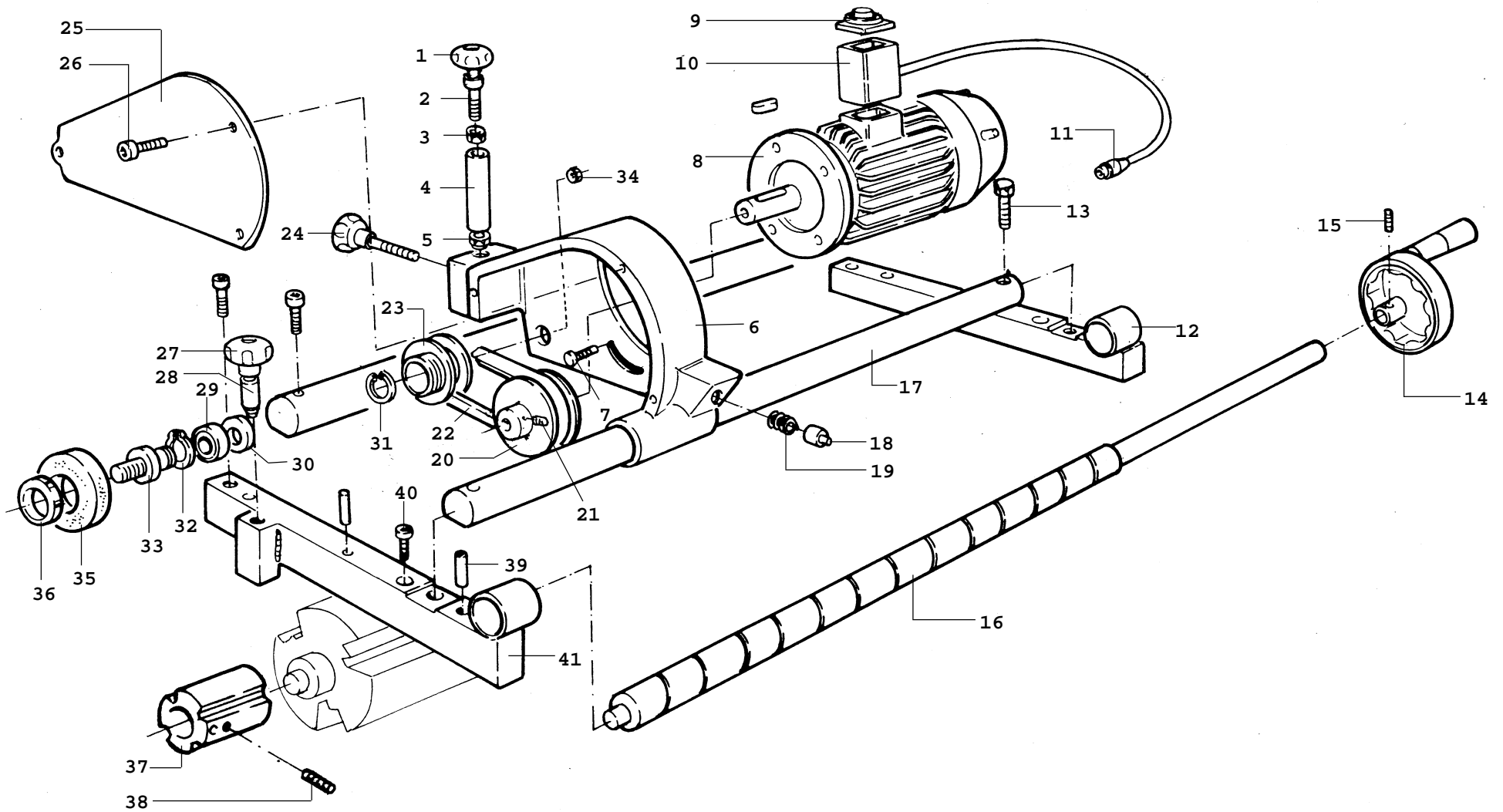


S515-S630

10.93

TAV. 86



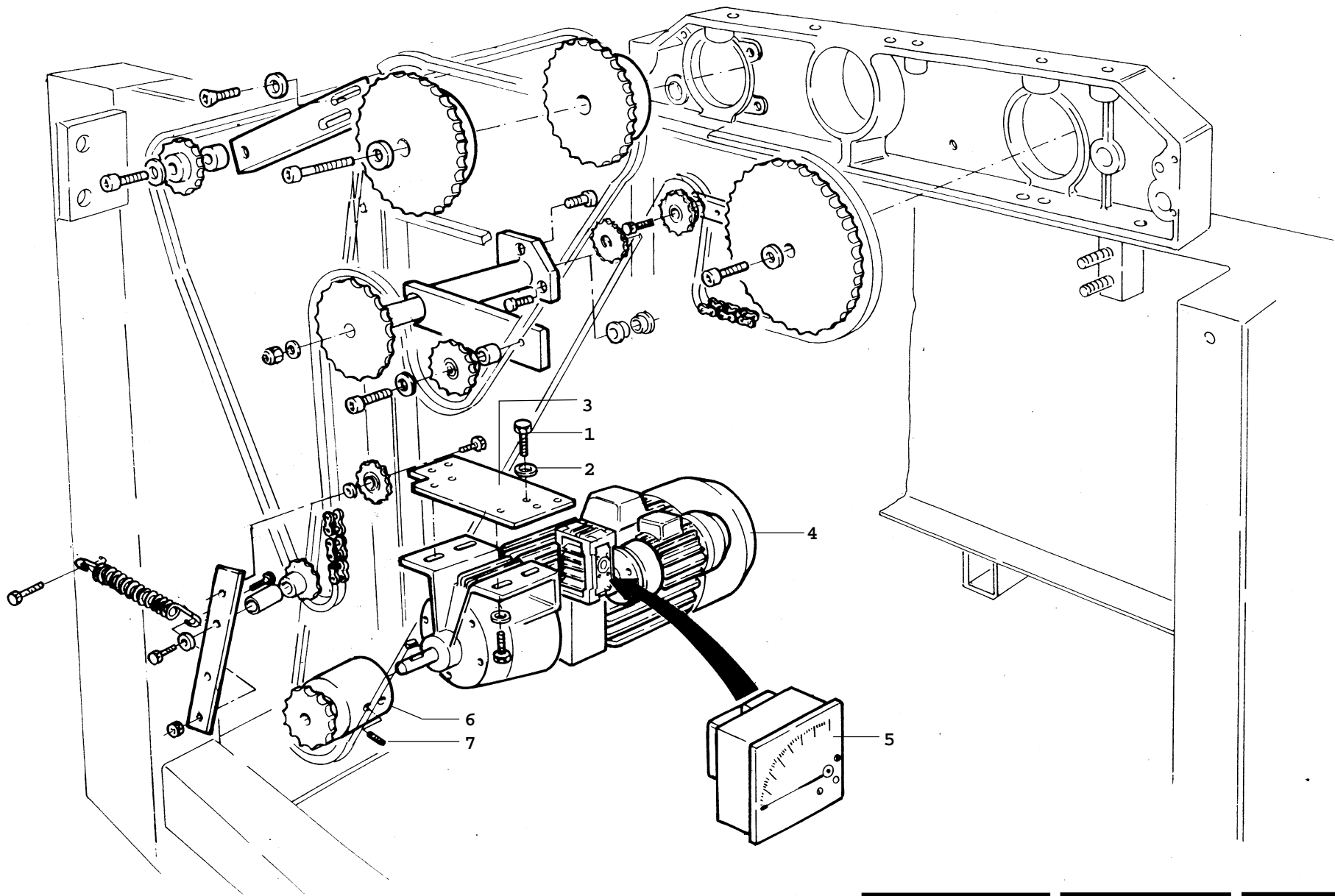


S515-S630

10.93

TAV. 87





S515-S630

10.93

TAV. 88

RIF.	CODE			QUANTITA'
	S515-S630	S515	S630	QUANTITY MENGTE MENGE CANTIDAD
1	8885078			8
2	8715301			8
3	7785188			1
4	84830			1
5	8			1
6	7621024			1
7	8280115			2

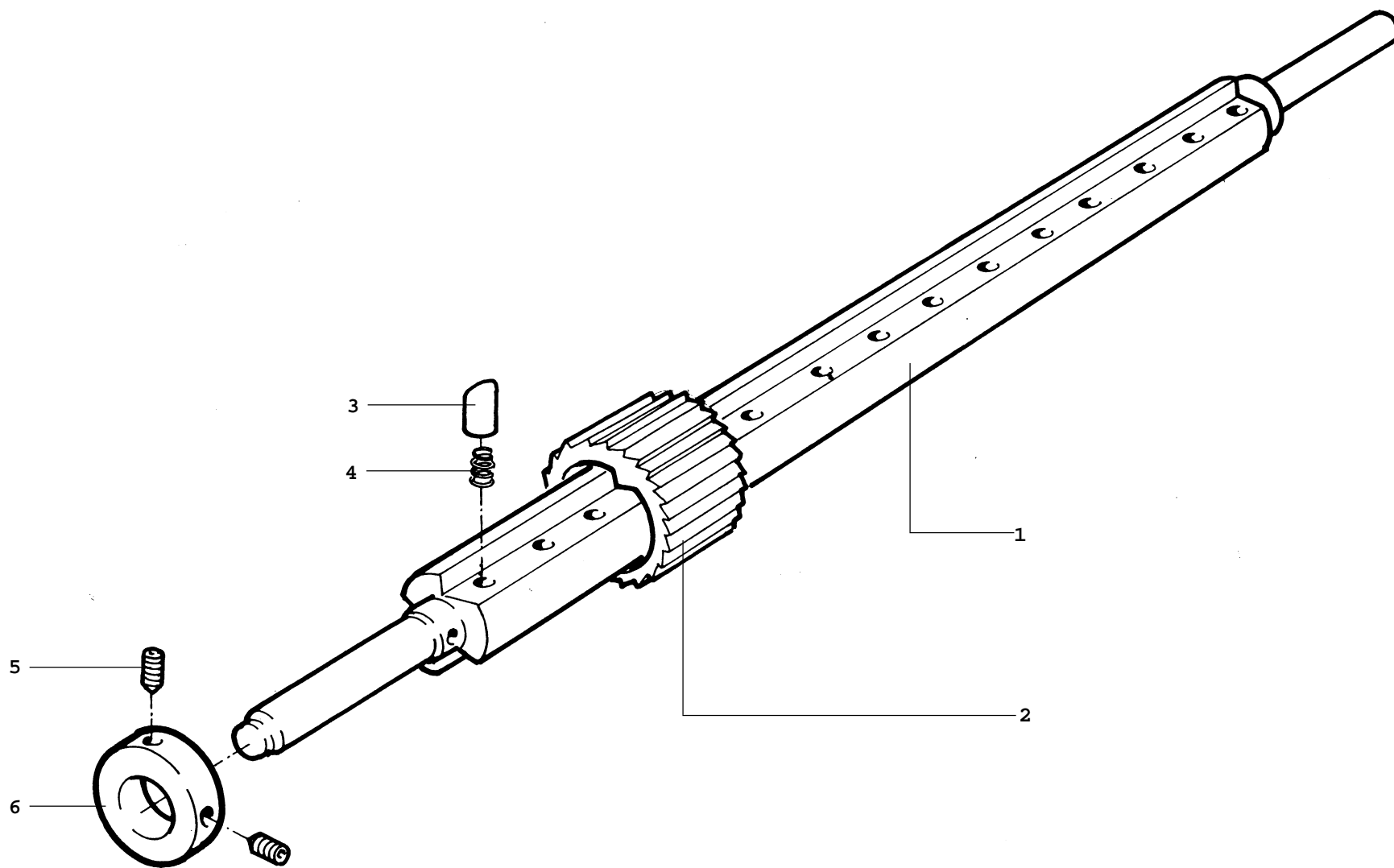
RIF.	CODE			QUANTITA'
	S515-S630	S515	S630	QUANTITY MENGTE MENGE CANTIDAD

RIF.	CODE			QUANTITA'
	S515-S630	S515	S630	QUANTITY MENGTE MENGE CANTIDAD

S515-S630

10.93

TAV. 88



S515-S630

10.93

TAV. 89



RIF.	CODE			QUANTITA' QUANTITY QUANTITE MENGE CANTIDAD
	S515-S630	S515	S630	
1		7129005	7129006	1
2	6755103			8/10
3	7623009			48/60
4	7481014			48/60
5	7806020			2
6	8280736			4

RIF.	CODE			QUANTITA' QUANTITY QUANTITE MENGE CANTIDAD
	S515-S630	S515	S630	

RIF.	CODE			QUANTITA' QUANTITY QUANTITE MENGE CANTIDAD
	S515-S630	S515	S630	

S515-S630

10.93

TAV. 89