

Notes:

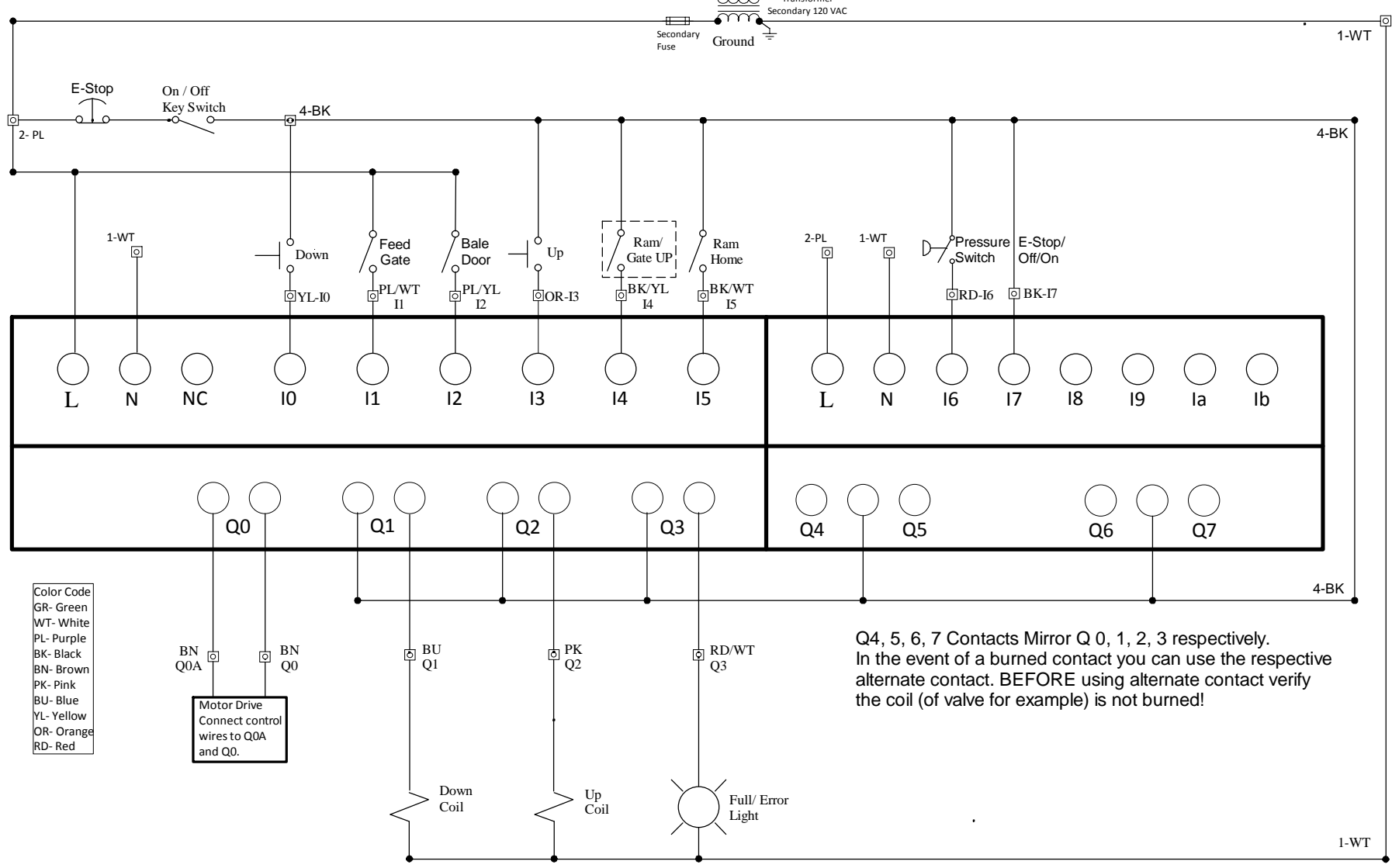
- Must open gate between cycles or start will not work
(If gate interlock is bypassed unit will not run after the 1st cycle)
- Ram must be in home (all the way up) position to start.
- UP is momentary. *Can be operated any time.
- Ram stops when bale is full. Light comes on.
- If unit stops unexpectedly, there may be an error. Reset with E-Stop.
Check limit switches and proper operation. See if T3, 4 and 5 are set correctly.
If error persists, press [ESC 0] to get to Status Screen for more info.
- If ram deadheads 2 secs at full pressure before bale is ready, ram retracts.

Main disconnect/ branch circuit protection must be supplied by customer. Refer to fuse and breaker chart and local codes.

Main disconnect/ branch circuit protection must be supplied by installer.

Motor Size	Motor Drive (Phase Converter) Volts	Motor Drive FLA (1Ph)	Use Dual Element Fuse Size	Use Circuit Breaker Size	Minimum Wire Size (60°C)
10HP/ 3Ph	208/230VAC 1Ph	44.6	60	60	4 AWG

Motor drive converts 1 Ph power to 3 Ph power to drive the 3 Ph motor. Circuit must be wired to 10 HP / 1 Ph Minimum requirements listed above.



Color Code

- GR- Green
- WT- White
- PL- Purple
- BK- Black
- BN- Brown
- PK- Pink
- BU- Blue
- YL- Yellow
- OR- Orange
- RD- Red

BN Q0A
BN Q0
Motor Drive Connect control wires to Q0A and Q0.

Q4, 5, 6, 7 Contacts Mirror Q 0, 1, 2, 3 respectively. In the event of a burned contact you can use the respective alternate contact. BEFORE using alternate contact verify the coil (of valve for example) is not burned!

Versa-Bale V4 Motor Drive Schematic. For support go to www.versa-bale.net or call 352-742-4774.