



# **15KV DISCONNECT PART # D-14800**

**American Electric Equipment Inc.  
150 Dixieland Drive  
Stanaford , WV 25927  
Phone: (304) 255-7438 | Fax: (304) 255-7448  
<http://www.americanelectricequipment.com>**



# AMERICAN ELECTRIC EQUIPMENT, INC.

P.O. BOX 710 BECKLEY, WV 25801

PHONE: 304-255-7438

FAX: 304-255-7448

## 15KV GROUNDING DISCONNECT SWITCH

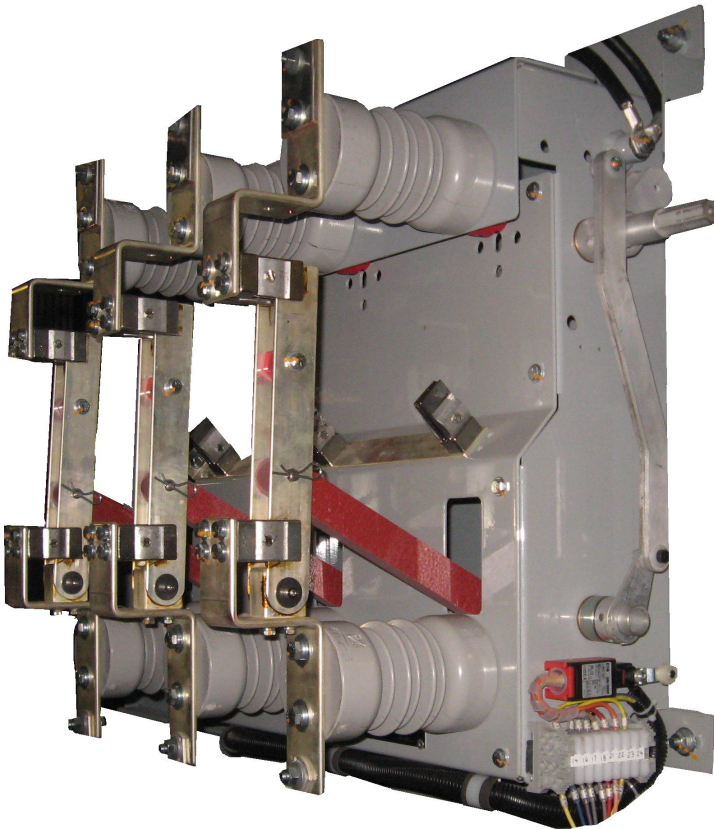
Document A-16178 December 3, 2018

### Ratings

- Rated voltage 15kv
- Rated continuous current 800 amps

### Standard Features

- 1 - N.O. Early make auxiliary contact
- 1 - N.C. Early break auxiliary contact
- 1 - N.O. Open and grounded auxiliary contact
- 1 - N.C. Open and grounded auxiliary contact



### ORDERING INFORMATION

15kv 800 amp. Visible Disconnect Switch D-14800

See parts list for all other parts

AMERICAN ELECTRIC EQUIPMENT

P.O. BOX 710

BECKLEY, WV

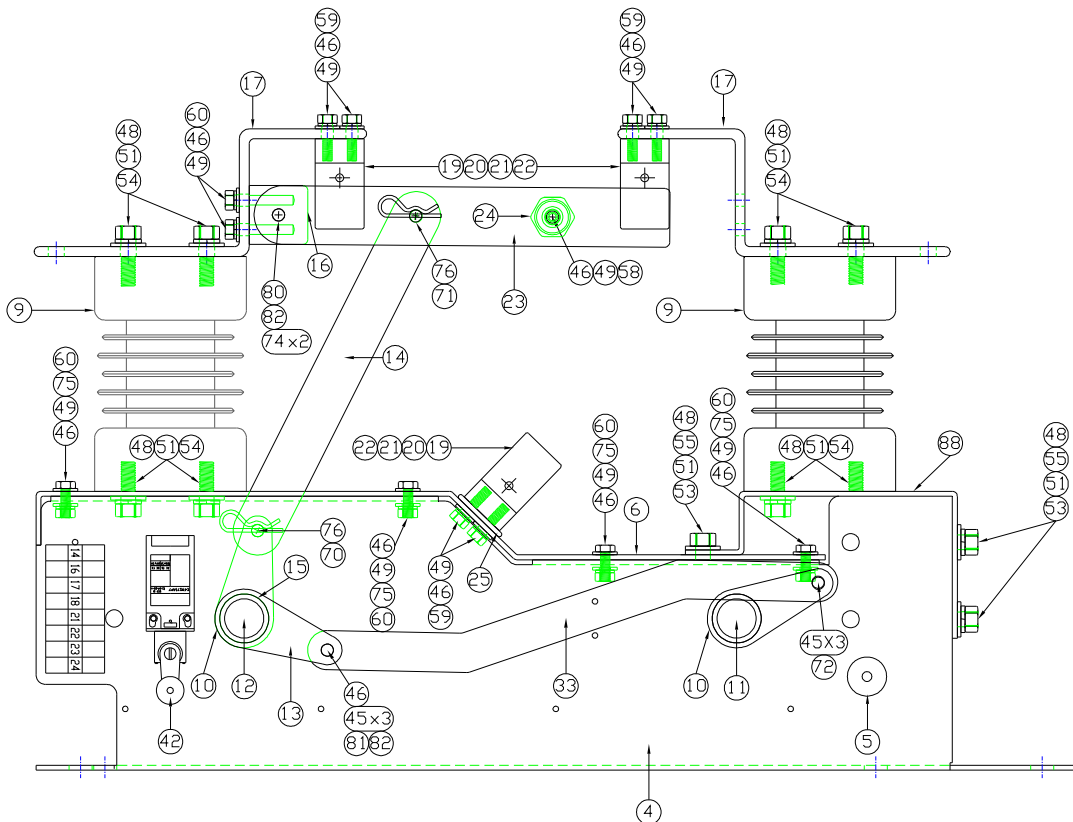
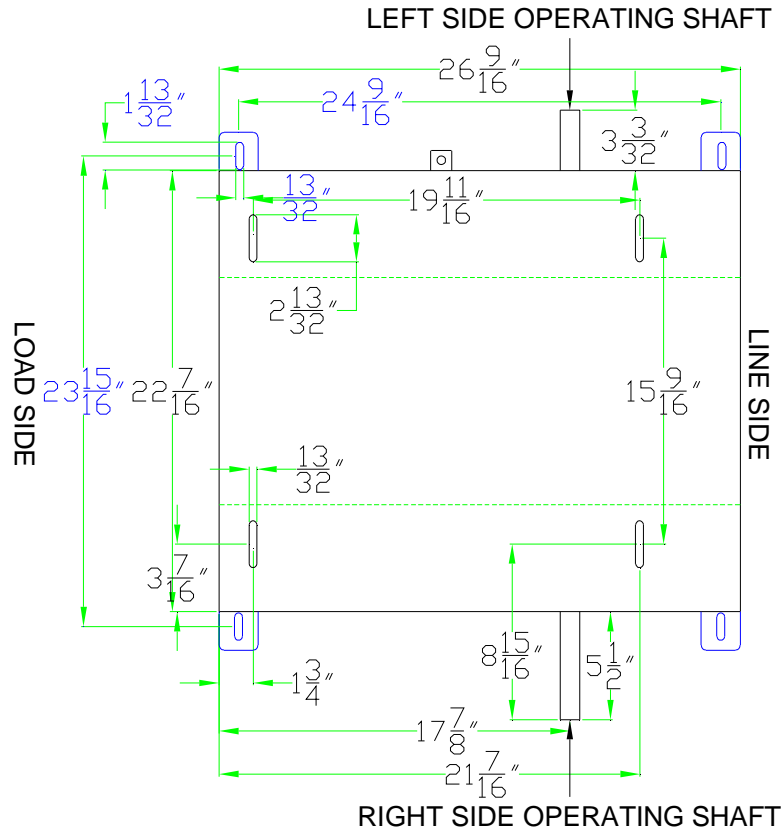
PHONE: 304-255-7438

FAX: 304-255-7448

EMAIL:

[janie.fansler@americanelectricequipment.com](mailto:janie.fansler@americanelectricequipment.com)

# Overall Dimensions and Mounting



ITEM #	Quantity Needed	UOM	Part Number	Description
			D-14800	AEEI Grounding Visible Disconnect Assembly
3	1	ea	A-13920-L	AEEI Visible Disconnect Left Side Base
4	1	ea	A-13920-R	AEEI Visible Disconnect Right Side Base
5	2	ea	A-14098	1" Weld On Ground Pad Threaded 1/4"-20 (Welded to A-13920L and R)
6	1	ea	A-13921	AEEI Visible Disconnect Insulator Mount
9	6	ea	A-9716-1	Insulator with 2 Hole 3/8" Top and 4 Hole 3/8" Bottom
10	4	ea	A-14013	Bronze Flanged Sleeve Bearing
<b>11</b>	<b>1</b>	<b>ea</b>	<b>A-14314</b>	<b>Hexagonal Shaft Assembly</b>
	1	ea	A-13970	Hexagonal Shaft
	1	ea	A-14141	Trip operator / Roller Holder for VCB
	1	ea	A-14144	Trip Linkage and Main Shaft Connector
	2	ea	A-14312	1" Collar
<b>12</b>	<b>1</b>	<b>ea</b>	<b>A-14315</b>	<b>Pushrod Shaft Assembly (no splines)</b>
	6	ea	A-13964	Pushrod to Main Shaft Pivot
	1	ea	A-14100	Pushrod Shaft
<b>13</b>	<b>1</b>	<b>ea</b>	<b>A-14316</b>	<b>Pushrod Shaft Linkage Assembly</b>
	1	ea	A-13964	Pushrod to Main Shaft Pivot
	1	ea	A-14312-1	1" Collar Drilled at 19°
14	3	ea	A-14077	Push Rod for Visible Disconnect
15	1	ea	A-14406	1/4" x 1-1/2" Roll Pin
16	3	ea	A-14097	Copper Pivot Block for Visible Disconnect
17	6	ea	A-14095	Copper Blade Support
19	15	ea	A-14156	Plated Stationary Blade
20	30	ea	A-2076	Large Non-Threaded Clip
21	15	ea	A-2069-4	#10-32 x 1 Indented Hex Washer Head Slotted Machine Screw 18-8 S.S.
22	15	ea	A-10940	#10-32 Zinc Toplock Locknut
23	6	ea	A-14094	Phase Blade for VCB
24	3	ea	A-1284	1/4" X 1" Insulator
25	1	ea	A-14093	Ground Bus
29	1	ea	A-14238	Spring Mount
30	1	ea	A-14236	Spring
<b>31</b>	<b>1</b>	<b>ea</b>	<b>A-14368</b>	<b>Spring Operator Assembly</b>
	1	ea	A-13964	Pushrod to Main Shaft Pivot
	1	ea	A-14312	1" Collar
<b>32</b>	<b>1</b>	<b>ea</b>	<b>A-15051</b>	<b>Cam Assembly for Auxiliary Switch</b>
	1	ea	A-15050	Cam for Auxiliary Switch Part A and Part B
	1	ea	A-14312-2	1" Collar
33	2	ea	A-14143	Linkage Between Main Shafts
<b>34</b>	<b>1</b>	<b>ea</b>	<b>A-14338</b>	<b>Switch Handle Assembly</b>
		ea	A-14338	Standard Switch Handle
	1	ea	A-14338-45	45° Switch Handle
		ea	A-14338-90	90° Switch Handle

	1	ea	A-14338-1	Hexagonal Switch Operator
	1	ea	A-14338-3	Handle Grip
36	8	ea	A-7105	Terminal Block
37	1	ea	A-7105-1	Terminal Block End Barrier
38	2	ea	A-7105-2	Terminal Block End Anchor
41	2.5	in	A-14234	Din Rail
42	2	ea	A-6081	Roller Lever Limit Switch
45	8	ea	A-14235	5/16" Nylon Flat Washer
46	53	ea	A-2067-1	1/4" Flat Washer
47	6	ea	A-2067-2	5/16" Flat Washer
48	37	ea	A-2067-3	3/8" Flat Washer
49	44	ea	A-2071-1	1/4" Lock Washer
50	1	ea	A-14374-1	Small Nylon Loop Clamp
51	34	ea	A-2071-3	3/8" Lock Washer
52	4	ea	A-2084-1	3/4" Long 3/8" N.C. Hex Head Cap Screw
53	6	ea	A-2084-2	1" Long 3/8" N.C. Hex Head Cap Screw
54	24	ea	A-2084-3	1-1/4" Long 3/8" N.C. Hex Head Cap Screw
55	7	ea	A-2086	3/8" N.C. Nut
56	4	ea	A-14411	#8 x 1" Pan Head Screw
57	4	ea	A-14411-1	#8 Lock Washer
58	7	ea	A-2081-3	1/2" Long 1/4" N.C. Hex Head Cap Screw
59	34	ea	A-2081-5	3/4" Long 1/4" N.C. Hex Head Cap Screw
60	9	ea	A-2081-6	1" Long 1/4" N.C. Hex Head Cap Screw
70	4	ea	A-14333-1	5/16" X 1-3/4" SS Clevis Pin
71	4	ea	A-14333-2	5/16" X 1-1/2" SS Clevis Pin
72	1	ea	A-14352	Double Panhead Bolt
73	1	ea	A-074	5/16" X 3/4" Shoulder Bolt
74	6	ea	A-14351	5/16" Bellville Washer
75	8	ea	A-14364	1/4" N.C. Nut
76	7	ea	A-14369	0.093" X 1-5/8" OAL Zinc Plated Hairpin Cotter (1/4" to 1/2" Shaft Size)
77	6	ea	A-14358	5/16" Stainless Steel Flat Washer
80	3	ea	A-14398	5/16" x 1-1/4" Stainless Steel Shoulder Bolt
81	2	ea	A-14398-1	5/16" x 3/8" Stainless Steel Shoulder Bolt
82	5	ea	A-14407	1/4" Lock Nut
83	3	ea	A-14726	5/16" X 1/2" Allen Head Set Screw w / Knurel-Grip Cup
84	1	ea	A-14402	Isovac Switch Grease
88	1	ea	A-15049	Top Insulator Mount
87	1	ea	n/a	Plating of A-14156 Stationary Blades