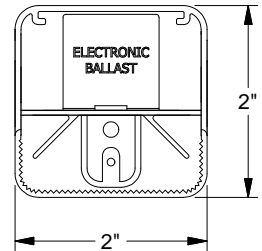
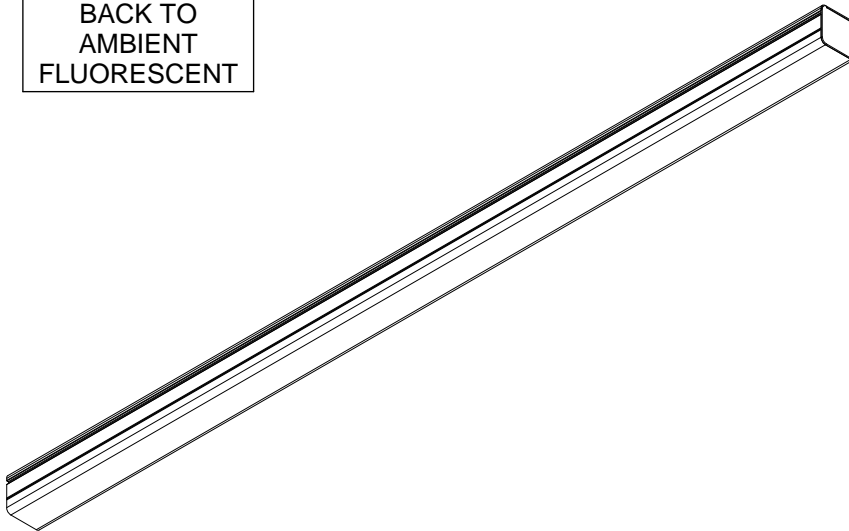


Type: _____

BACK TO
AMBIENT
FLUORESCENT



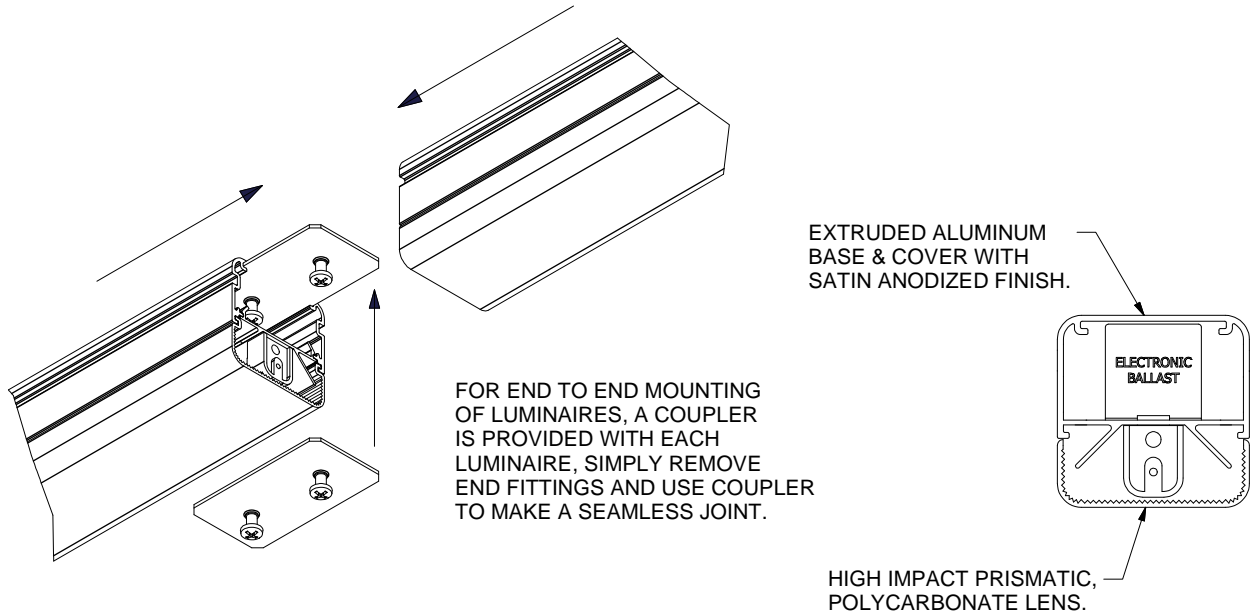
SPECIFICATIONS

- Satin anodized aluminum finish is standard. Custom finishes available upon request.
 - High impact prismatic, die formed, clear Polycarbonate lenses are standard.
 - Standard models equipped with integral 120 volt electronic ballasts.
 - Low 2" profile allows placement in shallow locations.
 - Luminaires can be wall or surface mounted or suspended with aircraft cables.
 - Robust housing includes extruded 6063T-5 aluminum base & cover with .050 nominal wall thickness.
 - Die formed end caps with no visible fasteners.
 - Fixtures are shipped with blank end caps, for continuous row mounting, simply remove end caps where luminaires meet, and use the internal coupler (provided) to make a seamless link.
 - Available for use with a wide variety of T5 lamp types. See chart for selection and lengths.
 - Available in hardwired configurations or with cord, hardwired models include KO's in the base to allow feeding from the back.
 - All units are UL & CUL LISTED damp locations.
 - The factory will be happy to discuss all of your special requests.
- * If ordered with lamps, 4100K color temperature is standard, other lamp colors may be available.

How to build a part number	Product Series	Quantity of T5 lamps	Lamp code	Finish	Standard options Suffix part # as required in the sequence below
----------------------------	----------------	----------------------	-----------	--------	---

Part number format	61	1	28T5	0	
--------------------	----	---	------	---	--

Choices	61	See lamp chart for luminaire lengths. 1 or 2 lamps are standard.	6T5	0= Satin	WC (6') White 3-wire cord & plug (18ga. SVT) GC (6') Gray 3-wire cord & plug (18ga. SVT) F Factory wired fuse (3A) 277 277 Volt electronic ballast
			8T5 13T5 14T5 21T5 21T5 28T5 35T5		



61 Series T5 Luminaire Length Chart

Lamp Quantity	Lamp Type	Luminaire Length (Includes end caps)
1	F6T5	9-1/4"
	F8T5	12-1/4"
	F13T5	21-1/4"
	F14T5	22-1/2"
	F21T5	34-5/16"
	F28T5	46-1/8"
	F35T5	58"
2	F6T5	18-3/8"
	F8T5	24-3/8"
	F13T5	42-3/8"
	F14T5	44-7/8"
	F21T5	68-1/2"
	F28T5	92-1/8"
	F35T5	115-7/8"

