

Chain Driven Conveyor Rollers Series 100



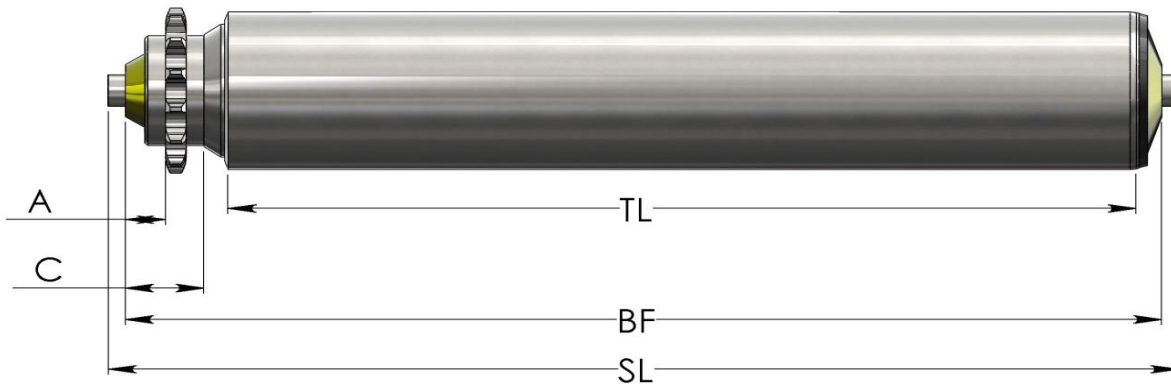
Roller Configuration				
Tube Ø (in mm)	Tube Material	Shaft Ø (in mm)	Shaft Installation Type	
			FT	FTFM
38.1 x 1.6	Mild Steel	10	✓	✓
	Stainless Steel	12	✓	✓
50.8 x 1.6 50.8 x 2.0	Mild Steel	12	✓	✓
	Stainless Steel	14	✓	✓
60.3 x 1.6 60.3 x 2.0	Mild Steel	15	✓	✓
	Stainless Steel	17	✓	✓

Note : : FT : Female Thread | FTFM : Female Thread with Flat Milled

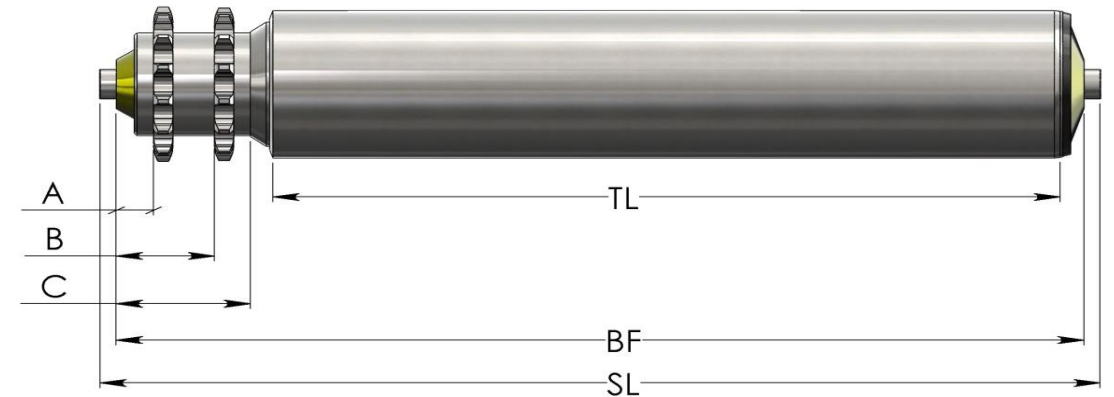
Product Description

Application	Intra Logistics, Light Weight Products, Package Goods, Warehousing, Cartons
Features	Protection from Dust, Spill Water, Oil, Liquids, Smooth Running, Easy Installation
Tube Coating	Zinc Plating Chrome Plating PU Coating
Shaft Material	Mild Steel Stainless Steel
Steel Sprocket	3/8" – 15 Teeth 1/2" – 14 Teeth
Bearing Type	Deep Groove Ball Bearing permanently sealed in Polymer Bearing Housing
Max. Load Bearing	65 to 100kgs
Max. Conveyor Speed	1.8 m/s
Temperature Range	-5° to 45° C

**Single Sprocket
Female Thread Shaft**



**Dual Sprocket
Female Thread Shaft**



Airoll

Accrue Conveyor Products Pvt Ltd - Gat No-1297, More Vasti, Near Sane Chowk, Chikhali, Pune – 411062 | INDIA

Phone - 020 - 65304035 | + 91 88888 00308 | sales@accrue.in | www.airoll.in