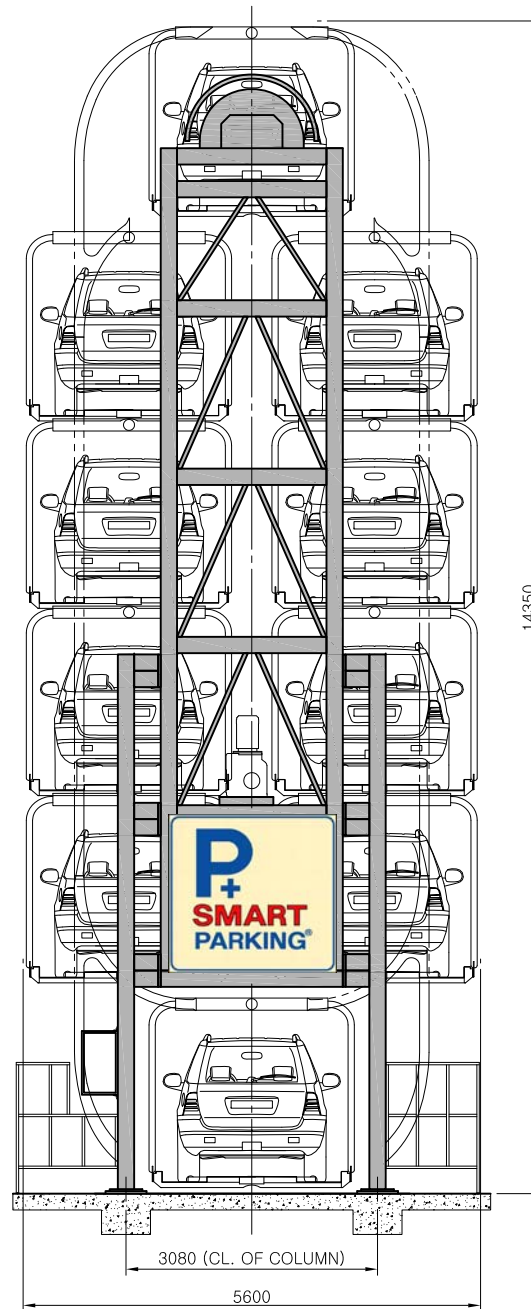
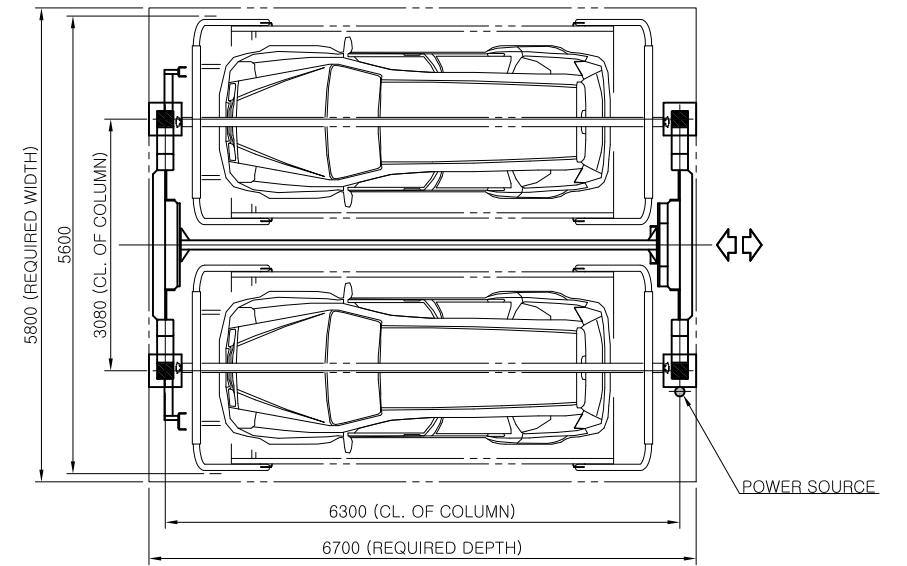


SIDE ELEVATION



FRONT VIEW



PLAN

SPECIFICATION

BRAND NAME	SMART PARKING®		
MODEL NO.	SM10SUXX		
TYPE	VERTICAL ROTARY PARKING		
PARKING CAPACITY	10 CARS		
AVAILABLE CAR	LENGTH	5,400mm	SUV CAR
	WIDTH	2,250mm	
	HEIGHT	2,100mm	
	WEIGHT	3,000kg	
MOTOR	11kw x 4P		
CONTROL	INVERTER CONTROL		
SPEED	4m/min		
POWER	AC380/400/415V x 3Ph x 50/60Hz		

KOREAN CERTIFICATE, SEOUL 1-15
 PATENT 10-0485605, 10-1075262, 10-1108226
 20-0326138, 0308440
 CE CERTIFICATE, M8A 10 02 6003 004
 UL & CUL CERTIFICATE, 20121015-E358106
 GOST CERTIFICATE, C-KR.B.00721
 ISO 9001-2008, 2003-3473

DYPC Dong Yang PC, Inc.
 T. 02) 2638 7750 www.dysmart.com

PROJECT	SMART PARKING® SM10SUXX				
PROJECTION	SCALE	DATE	DESIGEND	CHECKED	APPROVED
⊕		2014.06.05	H.S.YOO	WTDY	D.Y.PARK
DWG. NO.	SM10SUXX-0000-00				REV. 0

DYPC Dong Yang PC, Inc.