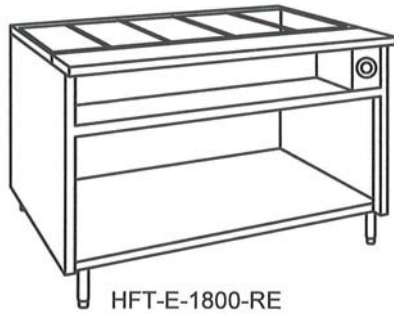


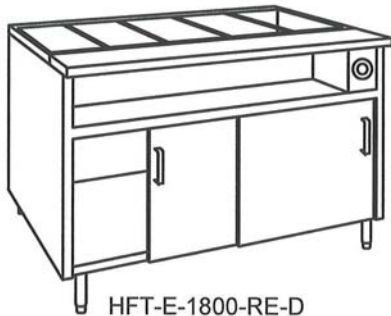
# ALTA DESIGN INC.

dessinateurs et manufacturiers d'équipement en acier inoxydable  
designers and manufacturers of stainless steel equipment

11301 Colbert (suite 101) Anjou, Qc H1J 3X3  
Tel. 514 955-6666 Fax 514 955-1022



HFT-E-1800-RE



HFT-E-1800-RE-D

## Tables chaudes récipients rectangulaires Hot food tables rectangular inserts

modèle model	kW kW	long. length	prof. depth	haut. height
HFT-E-900-RE	3.0	36"	32"	34"
HFT-E-1200-RE	3.0	48"	32"	34"
HFT-E-1500-RE	4.5	60"	32"	34"
HFT-E-1800-RE	6.0	72"	32"	34"
HFT-E-2100-RE	6.0	86"	32"	34"

240/208V. 1P. - eau chaude/ cold water 1/2" - drain 1 1/2"

modèle model	kW kW	long. length	prof. depth	haut. height
HFT-E-900-RE-D	3.0	36"	32"	34"
HFT-E-1200-RE-D	3.0	48"	32"	34"
HFT-E-1500-RE-D	4.5	60"	32"	34"
HFT-E-1800-RE-D	6.0	72"	32"	34"
HFT-E-2100-RE-D	6.0	72"	32"	34"

240/208V. 1P. - eau chaude/ cold water 1/2" - drain 1 1/2"

## Tables chaudes récipients ronds Hot food tables round inserts

modèle model	kW kW	long. length	prof. depth	haut. height
HFT-E-900-RO	3.0	36"	32"	34"
HFT-E-1200-RO	3.0	48"	32"	34"
HFT-E-1500-RO	4.5	60"	32"	34"
HFT-E-1800-RO	6.0	72"	32"	34"
HFT-E-2100-RO	6.0	86"	32"	34"
HFT-E-2500-RO	6.0	102"	32"	34"

240/208V. 1P. - eau chaude/ cold water 1/2" - drain 1 1/2"

modèle model	kW kW	long. length	prof. depth	haut. height
HFT-E-900-RO-D	3.0	36"	32"	34"
HFT-E-1200-RO-D	3.0	48"	32"	34"
HFT-E-1500-RO-D	4.5	60"	32"	34"
HFT-E-1800-RO-D	6.0	72"	32"	34"
HFT-E-2100-RO-D	6.0	86"	32"	34"
HFT-E-2500-RO-D	6.0	102"	32"	34"

240/208V. 1P. - eau chaude/ cold water 1/2" - drain 1 1/2"



HFT-E-1500-RO



HFT-E-1500-RO-D

### Options

Cotés acier inox. ou Stratifié, chaque	140.00
Dos acier inox. par pi. lin.	64.00
Intérieur en acier inox. par pi. lin.	60.00
Dosseret en acier inox.	58.00
Base chauffée	560.00
Pattes en acier inox., chaque	36.00
Ajouter pour unité au gaz	140.00

S/S sides, each	140.00
S/S back per lin. ft.	64.00
S/S interior per lin. ft.	60.00
S/S backsplash lin. ft.	58.00
Heated base	560.00
S/S leg, each	36.00
Add. for gas operated unit	140.00