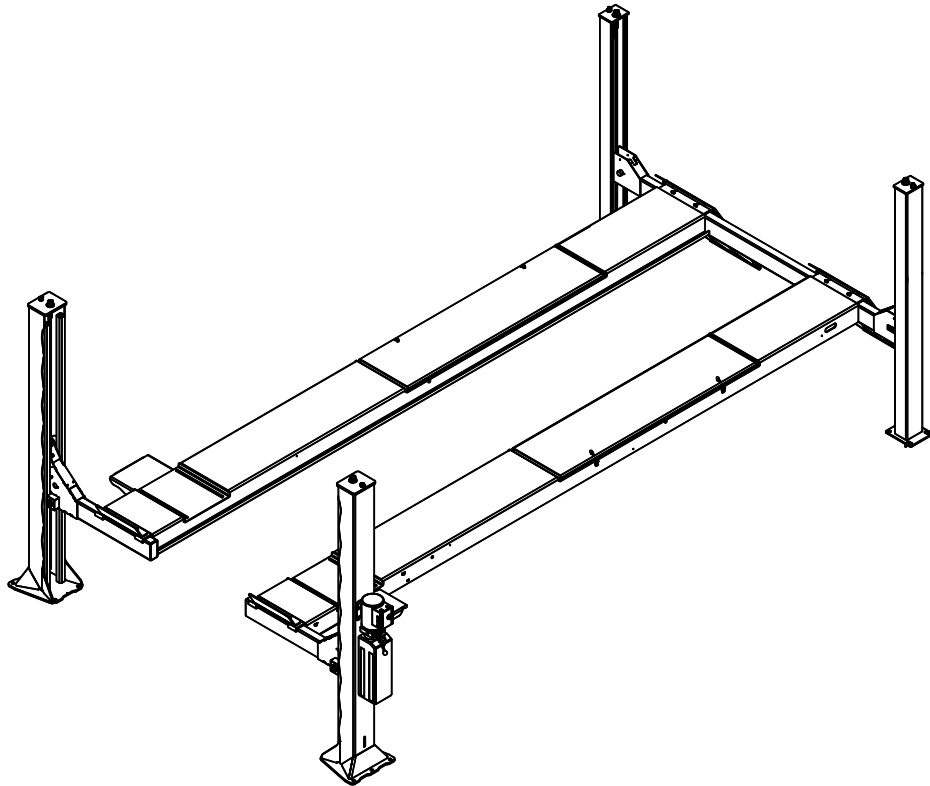


MAGNUM **L I F T S**™

“RAISING THE STANDARDS”

Four Post Surface Mounted Lift



Model OE-40000

Open Front
(12,000 lb Capacity)

200 Cabel Street, P.O. Box 3944 Louisville, Kentucky 40201-3944
Email: sales@challengerlifts.com Web site: www.challengerlifts.com

Office 800-648-5438 / 502-625-0700 Fax 502-587-1933

**IMPORTANT: READ THIS MANUAL COMPLETELY BEFORE
INSTALLING or OPERATING LIFT**

Model OE-40000 Open Front
Installation, Operation and Maintenance

GENERAL SPECIFICATIONS

MODEL: 40 [E OR X] [A OR F] [O OR X]

[LENGTH] [ALIGN OR FLAT DECK] [OPEN OR CLOSED FRONT]

SPECIFICATIONS	40EAO	40XAO	40EFO	40XFO
A Length Overall	20' 9"	23'	20' 9"	23'
B Width Overall	11' 10" front - 10' 10 3/4" rear			
C Inside Columns	120" front - 116" rear			
D Between Columns	16' 3"	18' 6 1/2"	16' 3"	18' 6 1/2"
E Height of Columns	99 1/2" front - 90 1/2" rear			
F Height of Runways	7"			
G Width of Runways	20"			
H Width Between Runways	43"			
I Maximum Wheelbase *	182 1/2"	210"	182 1/2"	210"
J Max. 2 Wheel Alignment	166 1/2"	194"	N/A	
K 4 Wheel Alignment	88" - 158"		N/A	
L Rise Height	78"			
Lifting Capacity	12,000 lbs.			
Air Supply Required	85-115 psi Clean & Dry			
Motor	2HP			
Voltage (Single Phase Std.) **	208v-230v			
Speed of Rise	70 Seconds (approximate)			
Min. Recommended Bay Size	12' x 24'	12' x 26'	12' x 24'	12' x 26'

* Wheelbase is based on a tire diameter of 30"

** Optional 3 phase, 50/60Hz, 208, 230 or 460V available.

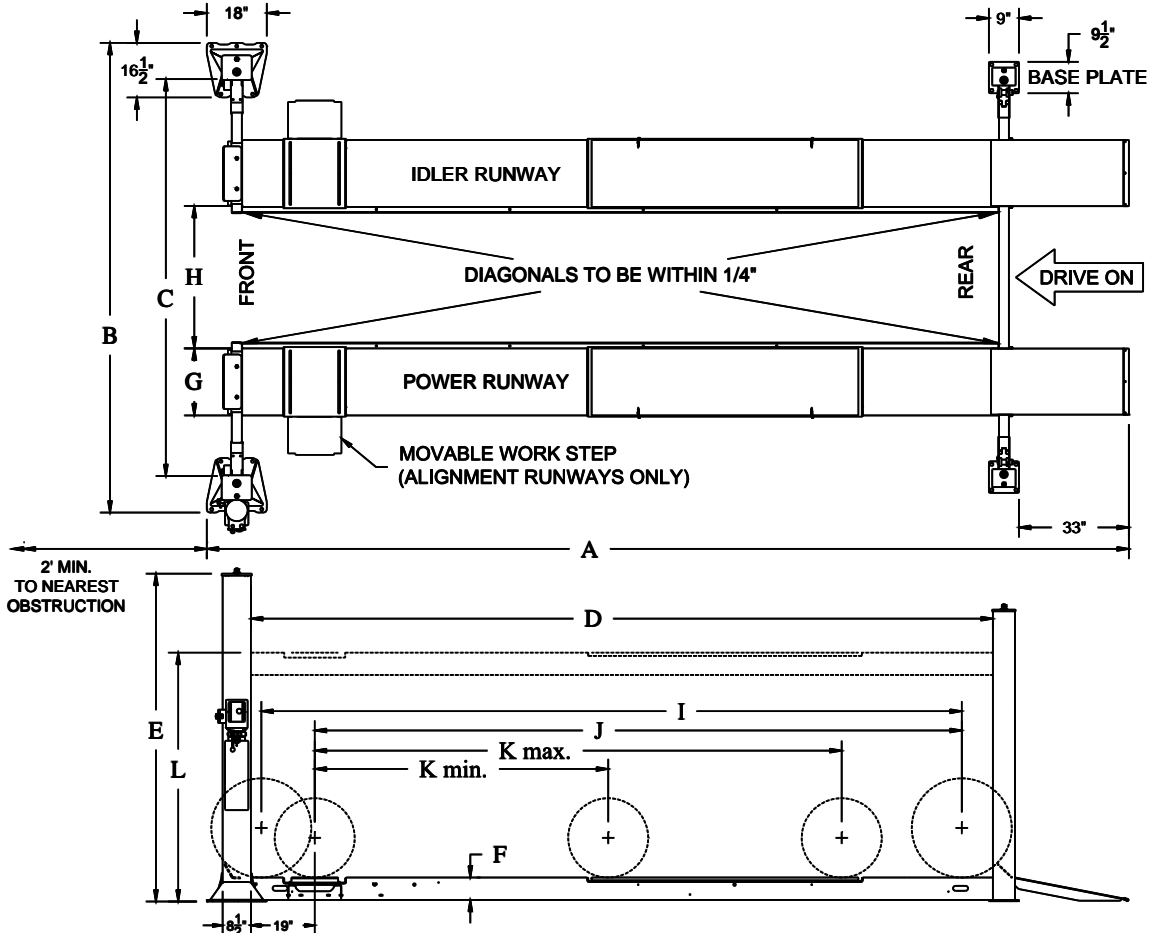


Fig 1 – General Specifications and Service Bay Layout

VERTICAL CLEARANCE

Check the height of the area where the lift is to be installed. Clearance should be calculated based on the full raised height of the lift.



Failure by purchaser to provide adequate clearance could result in unsatisfactory lift performance, property damage, or personal injury.

FLOORING

Be certain you have the proper concrete floor to properly handle the loaded lift. Floor should be in generally good condition with no large cracks, spalling or deterioration.

Minimum requirements for concrete are 4 inches minimum depth, with steel reinforcement, 3500 psi, cured for 28 days per local commercial practice. This lift is designed to accommodate a 3 inch total variation in elevation at the base of the four posts. Floor should be level within 1/2 inch from side-to-side and 2 1/2 front-to-rear to avoid special shimming. No anchors should be installed within 8 inches of any crack, edge, or expansion joint. If these conditions cannot be met, a pad may be poured to accommodate the lift.

Check with local building inspectors and/or permits office for any special instructions or approvals required for your installation.



Failure by purchaser to provide the recommended mounting surface could result in unsatisfactory lift performance, property damage, or personal injury.

LOCATION

This lift has been evaluated for indoor use only with an operating ambient temp. range of 5 – 40°C (41-104°F)

ELECTRICAL REQUIREMENTS

For lift installation and operation for single phase units, it is necessary to have a dedicated circuit with a double pole 25 amp circuit breaker or time delay fuse.

AIR REQUIREMENTS

This lift is equipped with an air operated lock release system. **The air supplied to the lift must be clean, dry, lubricated, and regulated to 90-120 psi, FRL (Filter/Regulator/Lubricator).** The FRL must be within 30 feet of lift. **Failure to provide clean, dry, lubricated, and pressure regulated air will void warranty on pneumatic components.**

SAFETY NOTICES AND DECALS

For your safety, and the safety of others, read and understand all of the safety notices and decals included here.

READ ENTIRE MANUAL BEFORE ASSEMBLING, INSTALLING, OPERATING, OR SERVICING THIS EQUIPMENT.

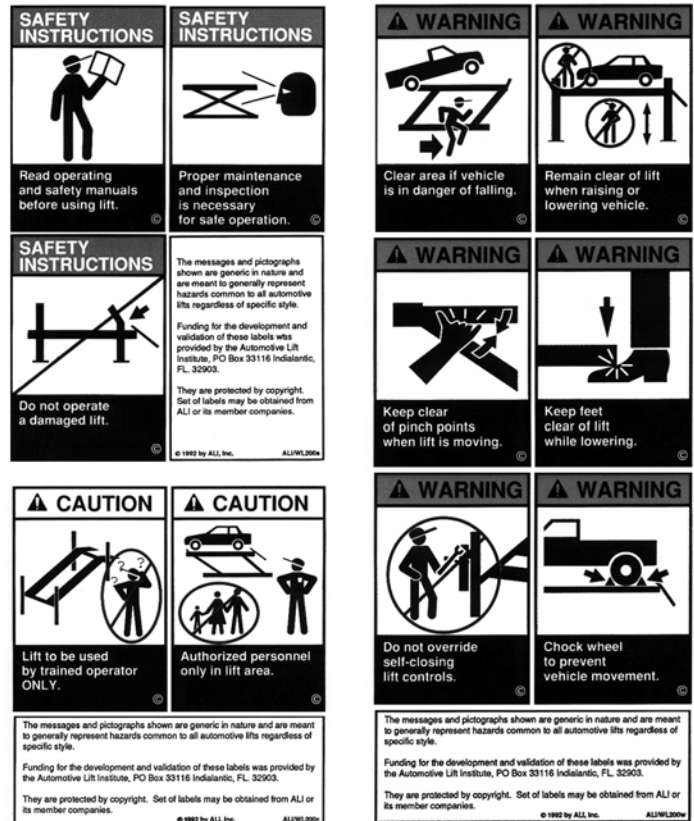
PROPER MAINTENANCE AND INSPECTION IS NECESSARY FOR SAFE OPERATION.

DO NOT OPERATE A DAMAGED LIFT.

Safety decals similar to those shown here are found on a properly installed lift. Be sure that all safety decals have been correctly installed on the Power Unit reservoir. Verify that all authorized operators know the location of these decals and fully understand their meaning. Replace worn, faded, or damaged decals promptly.



Do not attempt to raise a vehicle on the lift until the lift has been correctly installed and adjusted as described in this manual.



RECEIVING

The shipment should be thoroughly inspected as soon as it is received. The signed bill of lading is acknowledgement by the carrier of receipt in good condition of shipment covered by our invoice.

If any of the goods called for on this bill of lading are shorted or damaged, do not accept them until the carrier makes a notation on the freight bill of the shorted or damaged goods. Do this for your own protection.

NOTIFY **Challenger Lifts** AT ONCE if any hidden loss or damage is discovered after receipt.

IT IS DIFFICULT TO COLLECT FOR LOSS OR DAMAGE AFTER YOU HAVE GIVEN THE CARRIER A CLEAR RECEIPT.

File your claim with **Challenger Lifts** promptly. Support your claim with copies of the bill of lading, freight bill, and photographs, if available.

Component Packing List

ITEM #	QTY/ LIFT	DESCRIPTION
1	1	POWER RUNWAY ASS'Y.
2	1	IDLER RUNWAY ASS'Y
3	2	FRONT COLUMN ASS'Y
4	2	REAR COLUMN ASS'Y
5	2	ENTRANCE RAMP WELD
6	1	FRONT POWER CROSS BEAM
7	1	FRONT IDLER CROSS BEAM
8	1	REAR CROSS BEAM ASS'Y
9	1	POWER UNIT
10	1	HARDWARE BOX
11	2	MOVABLE WHEEL CHOCK
12	2	FRONT WHEEL STOP
13	2	WORK STEP (alignment lifts only)
14	2	SHIPPING BRACKET WELD
15	8	1/2" SHIPPING HARDWARE

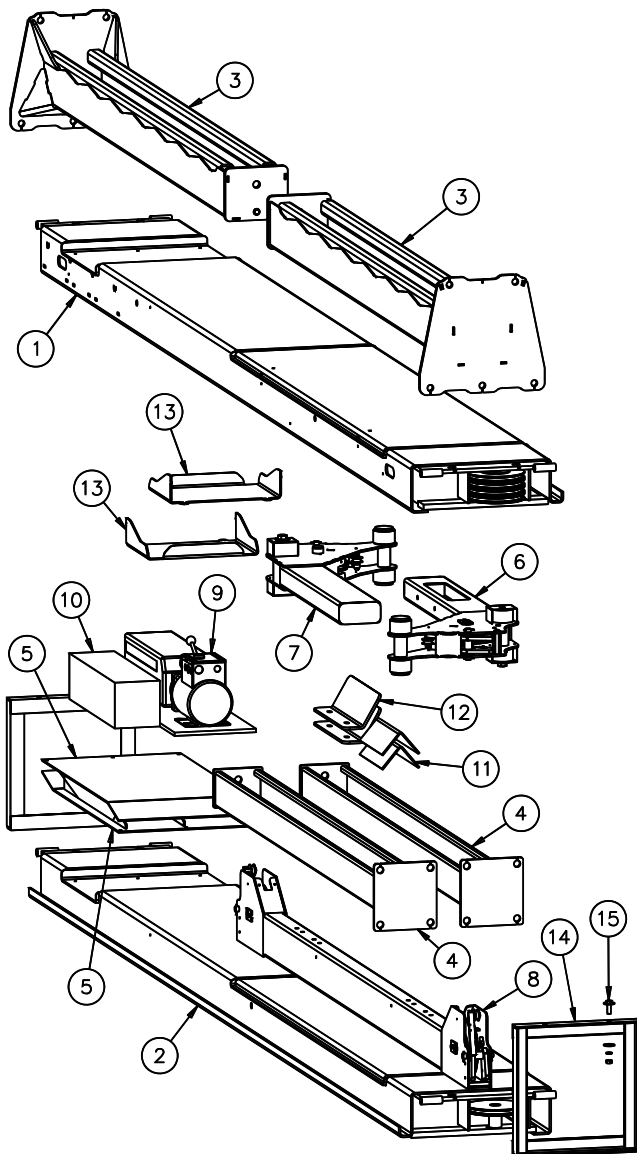


Fig 2 – Package Components

INSTALLATION

IMPORTANT: Always wear safety glasses while installing lift.

TOOLS (MINIMUM REQUIRED)

- a. Tape measure, 25ft
- b. Chalk line
- c. 4ft level
- d. 10" & 12" adjustable wrench
- e. Standard open end wrenches 3/8", 7/16", 1/2", 9/16", 5/8", (2) 11/16", 3/4", 15/16", 17mm
- f. 6mm allen wrench
- g. Box knife
- h. Thread locking compound
- i. Thread tape sealant (for air line)
- j. Needle nose pliers
- k. Hammer drill with 3/4" diameter carbide tipped bits
- l. 2lb hammer
- m. Torque wrench: 150 foot pounds minimum with 1 1/8" socket
- n. 8 ft. Step ladder
- o. Blocking – (4) 4x4x30", (4) 1x4x12"
- p. Transit for leveling alignment lift

LAYOUT

- 1) Lay out the service bay according to the architect's plans or owners instructions (**see Fig 1**). Be certain that the proper conditions exist, see page 3.
- 2) Unpack lift. Remove all packaging from Power Runway (power runway has four cable sheaves at rear end) and pull threaded cable ends out. Make sure the cables are in the proper sheaves at the 4-stack, **Fig 3**.

Model OE-40000 Open Front
Installation, Operation and Maintenance

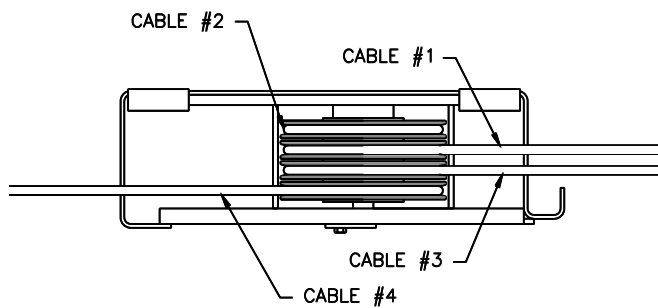


Fig 3 – Power Runway 4-Stack (rear view)

- 3) Position runways on blocking (see Fig 4) per layout lines established in step 1. Use four 30"

long 4x4's spanning the width of the runway and four 12" long 1x4's to shim up the jack-rail side of the runway. Cable #1, #3, & #4 should be extending out from the rear of the power runway and cable #2 from the front of the power runway, Fig 4.

- 4) Reach in through either of the access holes in the rear cross beam tube and pull out the roll of 1/8" dia. plastic air line connected to the air cylinder at the end of the cross beam. Repeat for opposite access hole and position the cross beam near the end of the runways as in Fig 4.

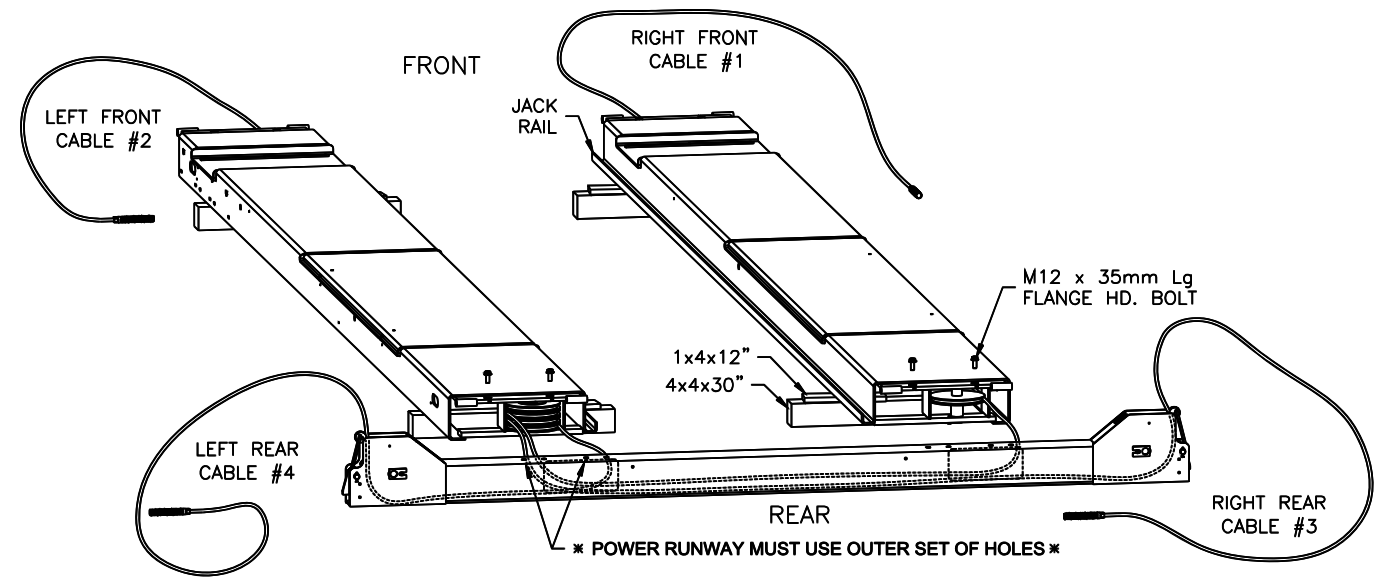


Fig 4 – Runway Layout

- 5) Remove the two sheaves from the rear cross beam and the two sheaves from the idler runway. The runway sheave pins do not need to be removed, just lowered enough to remove the sheaves.
- 6) Starting from the bottom of the stack, route cable #4 through the access hole and up out the left end of the beam. Repeat for cable #3 out the right end of the beam. Route cable #1 through the access hole, and back out the idler side access hole. **Look through the idler end of the cross beam and ensure that cable #1 and #3 have not crossed.** Route cable #1 through the idler runway (don't forget to route it up over the cross-braces in the bottom of the runway).
- 7) Reinstall the cross beam sheaves (one thin plastic bearing on each side of each sheave) and the idler runway sheaves (2 1/8" long spacer bushing on the bottom then 1/8" thick bearing, sheave, and 1/8" thick bearing, Fig 5).

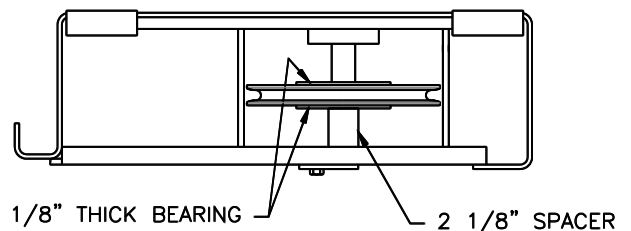


Fig 5 – Runway Single-Stack (typical for front of power runway and front & rear of idler)

- 8) Attach the rear cross beam to the runways (Fig. 4) with M12 x 35mm lg. flange head bolts being careful not to pinch the air line. Leave the air lines hanging out the bottom of the cross beam access holes at this time, they will be fed in through the runway after the lift is raised. **The outermost runway slots should be in line with the outermost holes in the top of the cross beam, see Fig. 4.** Do not torque bolts yet.

- 9) Check the layout of the lift in the bay. **(This is the last opportunity to reposition the lift. If there is any question about where the front column anchors or power unit are going to end up, complete steps 21 - 24 first and come back to this step).** Adjust the position of the runways so the distance from power side jack rail to idler side jack rail is the same at the front and rear and the diagonal measurements from the front tip of one rail to the rear tip of the opposite rail are within 1/4", Fig 6.

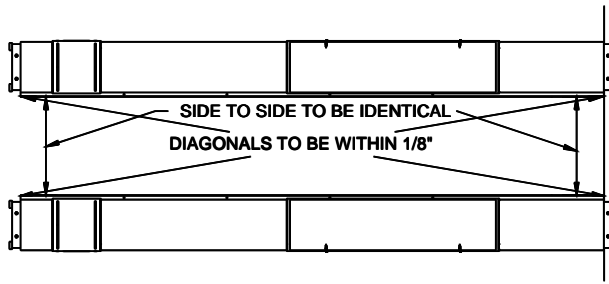


Fig 6 – Final Runway Positioning

- 10) Center rear cross beam bolts with slots in runway and tighten. (Be careful not to move runways.)

REAR COLUMNS

- 11) Stand up both rear (small) column assemblies near the rear corners of the lift and check the locking ladder bar orientation per Fig 7. Note that the center of the threaded rod is offset (away from the back of the column) from the center of the ladder. Thread the locking ladder jam nut (located under the column top plate) down approximately 6" to allow the ladder to be lifted freely.

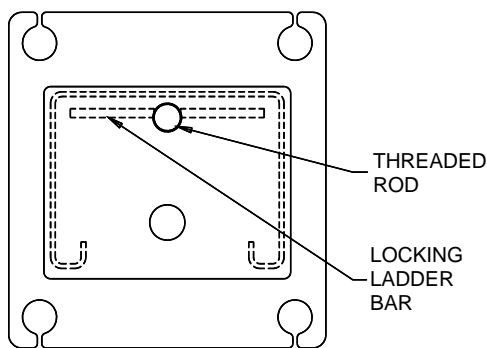


Fig 7 – Locking Ladder Orientation

- 12) Slide power side column onto cross beam until the 8mm threaded holes in the side of the beam are just exposed. Position slide blocks as shown in Fig 8 and attach with M8 x 16mm bolts (apply thread locking compound before installing).

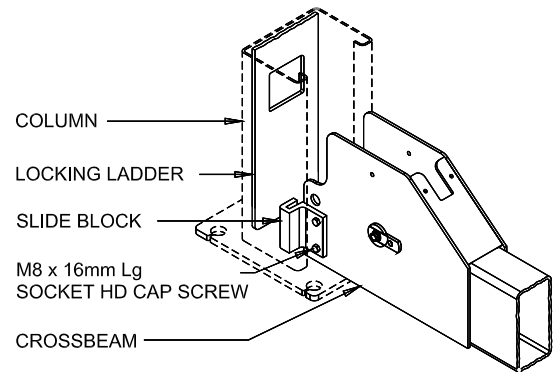


Fig 8 – Slide Block Installation

- 13) Raise the locking ladder, push the column against the slide blocks, and lower the ladder into the slide blocks, Fig 9.

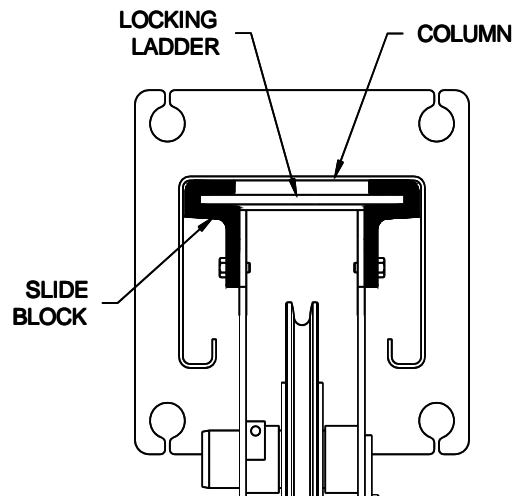


Fig 9 – Locking Ladder Orientation

- 14) Repeat for idler side rear column.

ANCHORING (*rear columns only at this time*)

- 15) The anchor bolts must be installed at least 8" from any crack, edge, or expansion joint.
- 16) Use a concrete hammer drill with a 3/4 inch carbide bit. Tip diameter should conform to ANSI Standard B94.12-1977 (.775 to .787). Do not use excessively worn bits or bits which have been incorrectly sharpened. A core bit may be necessary if an obstruction is encountered. **Never substitute with shorter anchor.**
- 17) Drill the anchor holes using the base plate as a template. Drill through the floor if possible or to a depth of 5 inches minimum.
- 18) Vacuum dust from the hole for proper holding power.

Model OE-40000 Open Front
Installation, Operation and Maintenance

- 19) Shim columns to plumb using the shims provided or steel washers. DO NOT shim more than 1/2" at any given point. Use a level no less than 24" in length to plumb columns.
- 20) Assemble washer and nut to anchor with nut just below impact section of bolt. Drive anchor into hole until nut and washer contact base. Tighten anchor bolts and recheck column for plumb. Re-shim as required.

NOTE: Level bubble should not only be between the lines, the bubble should be centered between the lines. If the provided shims do not allow sufficient centering of the bubble, it is best to lean the rear columns in the direction toward each other and the front columns in the direction away from each other.

FRONT COLUMNS

- 21) Position the two front columns near the front corners of the lift and insert the front cross beams as shown in Fig 10. Notice that the front columns are identical, but the cross beams are not.

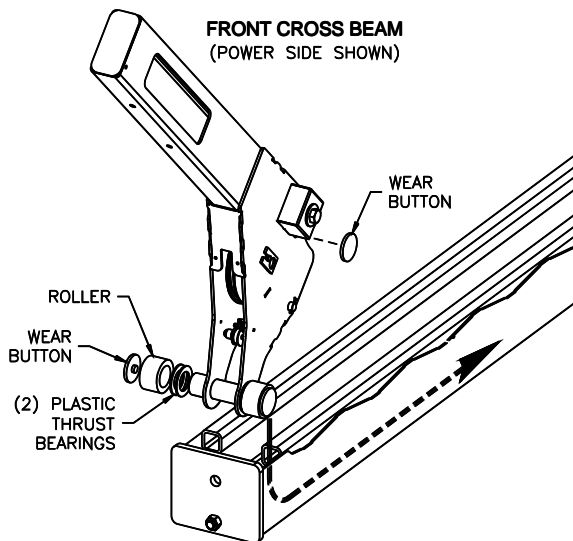


Fig 10 – Front Cross Beam Installation

- 22) Ensure that the power side front cross beam is touching the power column base plate and stand the column up. Move the column into position and remove the cross beam sheave. Reach in through the access hole in the cross beam tube and pull out the 6 ft. roll of 1/8" dia. plastic air line connected to the air cylinder at the end of the cross beam. Feed cable #2 into the cross beam access hole and back out the top, Fig 11.

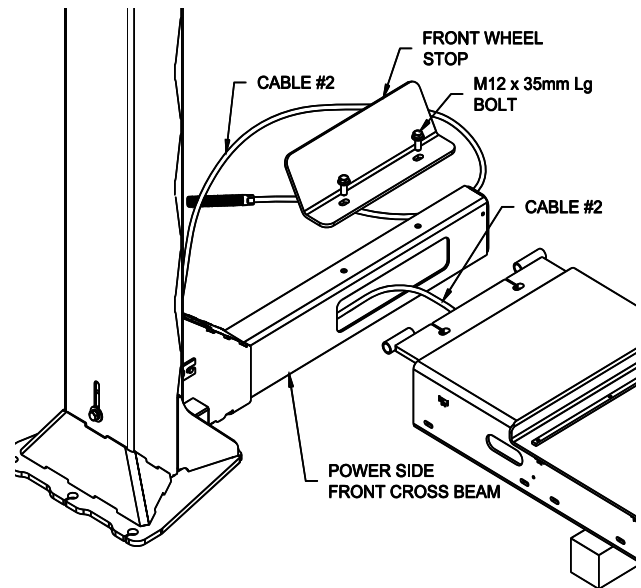


Fig 11 – Front Cross Beam Installation

- 23) Attach the cross beam to the runway with M12 x 35mm lg. flange head bolts being careful not to pinch the air line. (Leave the air line hanging out the bottom of the cross beam access holes at this time, it will be fed in through the runway after the lift is raised.) Center the cross beam bolts with slots in runway while squaring the cross tube with the runway (gap between the front of the runway and cross tube should be the same on both sides of the runway). Torque runway bolts to 60-80 foot pounds.
- 24) Repeat for idler side cross beam.
- 25) Insert stack cable latch disengaging tool inside power side front cross beam and engage the groove at the top end of the tool with the latch roller shaft as shown in Fig 12. Push the slack lock latch back into the column while rotating the bottom of the tool upward and engage the bottom groove of the tool in the cross beam. This will allow the column to be moved into position without resistance from the slack lock.
- 26) **POWER COLUMN ONLY** – Thread the front power side locking ladder jam nut (located under the column top plate) down approximately 1/2". Remove 1/2" x 3/4" lg. lock ladder securing bolt from bottom of column and rock the ladder to one side to allow access to power unit mounting holes and insert two 5/16" x 1" flange head bolts from the inside out and secure with 5/16" flange nut, Fig 13. Shift ladder to opposite side and install remaining two power unit bolts. Reinstall lower ladder bolt.

Model OE-40000 Open Front
Installation, Operation and Maintenance

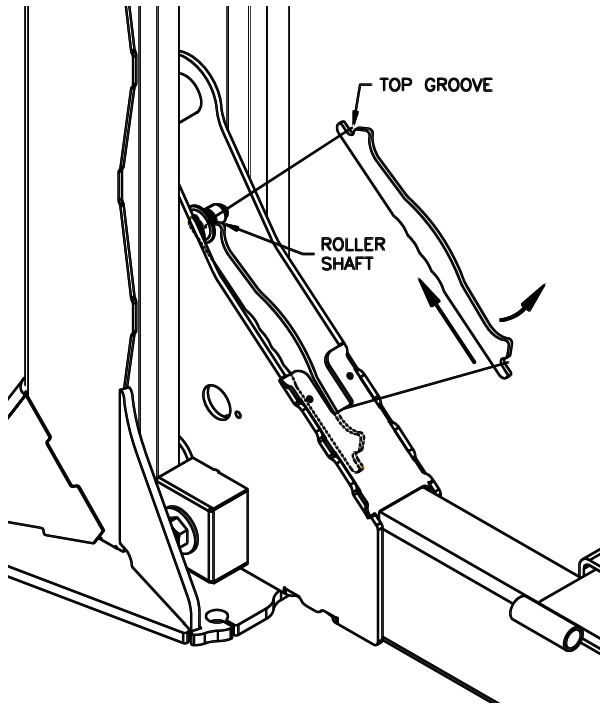


Fig 12 – Slack Cable Latch Disengaging Tool

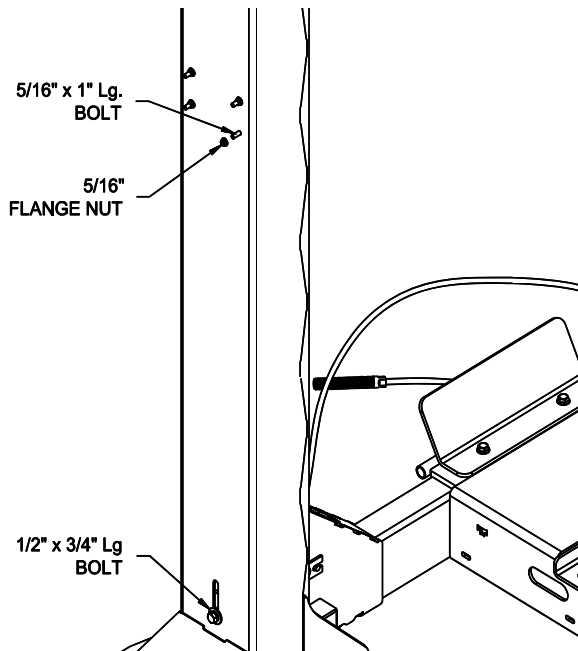


Fig 13 – Power Unit Mounting Bolts

- 27) Push the power column against the two roller wheels located on the lower portion of the cross beam. The upper roller wheels should not be touching the column at this time. If they are, roughly shim the column plumb, then shim up the blocking on the jack-rail side of the runway.
- 28) Recheck the four measurements from Fig 6.
- 29) After ensuring column is touching lower wheels and not the upper wheels, drill and install anchors per steps 15-21.

- 30) After properly shimming column plumb, loosen anchors and add one shim to both of the two inside anchors to lean the column outward slightly. Make sure lower roller wheels are in contact with column and torque anchor bolts to 150 foot pounds.



Fig 14 – Front Column Shimming

- 31) Repeat steps 25-30 (excluding step 26) for idler side.
- 32) Install the four cable ends with one flat washer, one load nut, and one jam nut.
- 33) Install the power unit and the air button valve assembly on the power column, Figs 13 & 15.

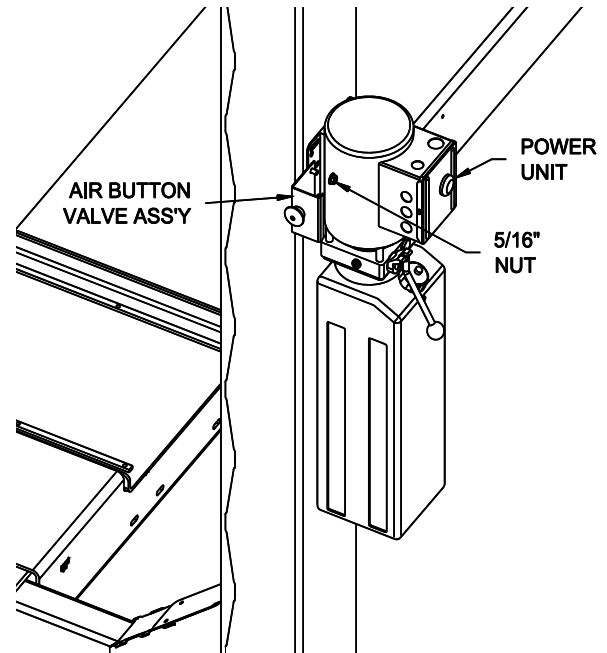


Fig 15 – Air Button & Power Unit Mounting

- 34) Install O-Ring end of 90 degree hydraulic elbow (9/16-18 O-Ring x 37° Male JIC) to power unit output port. The hydraulic hose is pre-installed to the hydraulic cylinder and secured inside the runway. Pull loose end out through the opening and attach to the elbow fitting.

Do Not Use Teflon Tape or Pipe Dope on fittings.

- 35) Have a certified electrician connect the power unit to a suitable electrical power source. The standard power unit is 208/230 volt 60 Hz single phase requiring a dedicated 25 amp double poll, double throw circuit breaker to operate lift at full capacity.

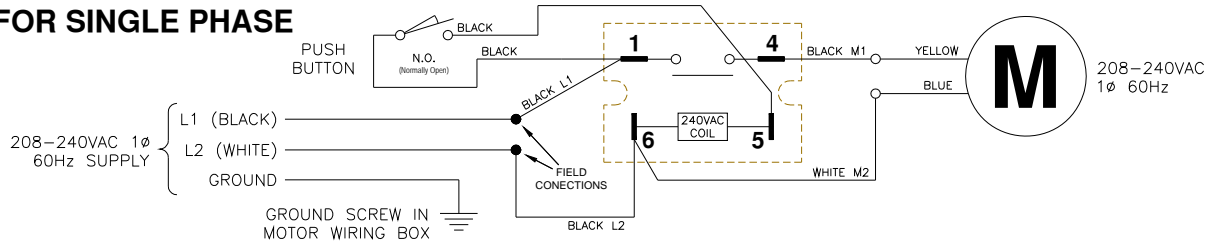
Wiring Diagram

EACH LIFT SHOULD HAVE A DEDICATED CIRCUIT WITH A DOUBLE POLE (THREE POLE FOR 440-480V) BREAKER OR TIME DELAY FUSE SIZED ACCORDING TO THE FOLLOWING CHART

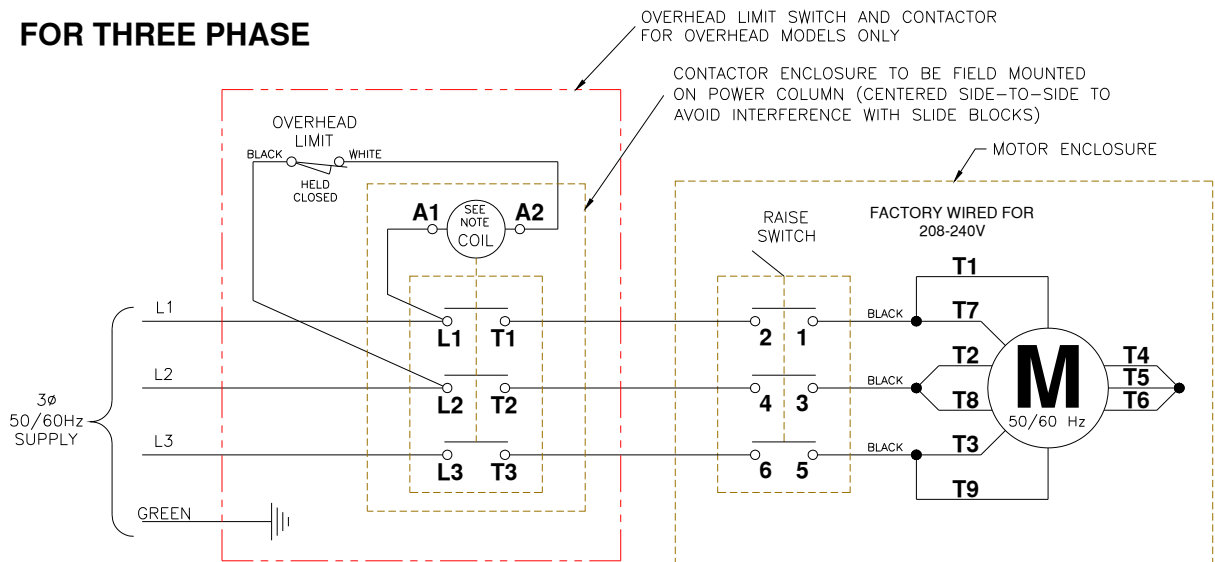
	1 ϕ 208-240V	3 ϕ 208V	3 ϕ 220-240V	3 ϕ 440-480V
2Hp	25amp	15amp	15amp	5amp

* WIRING MUST COMPLY WITH ALL LOCAL ELECTRICAL CODES *

FOR SINGLE PHASE



FOR THREE PHASE



NOTES:

- 1) MOTOR IS FACTORY WIRED FOR 208V OR 220-240V SUPPLY
- 2) MOTOR CONNECTIONS MUST BE RECONFIGURED PER THIS DIAGRAM FOR 440-480V SUPPLY
- 3) CONTACTOR COIL RATING MUST MATCH SUPPLY VOLTAGE (208V, 220-240V, OR 440-480V)
- 4) CONTACTOR MUST BE FIELD MOUNTED ON POWER COLUMN (CENTERED SIDE-TO-SIDE TO AVOID INTERFERENCE WITH SLIDE BLOCKS)
- 5) MOTOR ROTATION IS COUNTER CLOCKWISE FROM TOP OF MOTOR

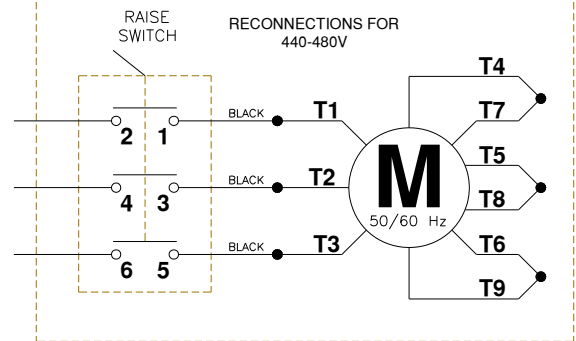


Figure 16

- 36) **BE CERTAIN ALL FITTINGS AND CONNECTIONS ARE TIGHT. IT IS THE INSTALLERS RESPONSIBILITY TO INSURE SYSTEM IS LEAK-FREE.** Fill the Power Unit with three gallons of clean 10wt anti-foam anti-rust hydraulic oil or Dexron III ATF. **Do Not Use Oils With Detergents.**
- 37) Energize the power unit and raise the lift approximately 1 ft off the ground and look underneath the power runway to verify that the cable lugs are resting firmly against the cylinder pull bar.
- 38) For flat deck style runways, level the runways and crossbeams using a 4 ft. level. With the lift resting in its locks, find the highest corner and adjust the other three column ladder bars until the runways are level front-to-rear and side-to-side. Tighten jam nut against bottom side of each column top plate. For alignment style runways, use a transit for leveling runways placing the target in the center of the turn plate and the center of the rear slip plate (with lift lowered into locks). Refer to alignment equipment for leveling tolerance.
- 39) Adjust cables until all four locks are synchronized when lift is raised. Tighten cable jam nuts against adjustment nuts.
- 40) Install 1/8" air line from air valve assembly thru opening in runway to Tee. **Fig 17**

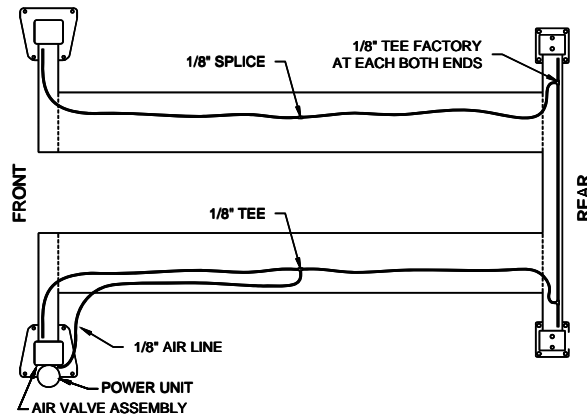


Fig 17 – Lock Release Air Line Routing

- 41) Route power side front and rear cross beam air lines through power runway to Tee. Route idler side front and rear cross beam air lines through idler runway and connect together with 1/8" air line splice provided. Use provided adhesive tabs and plastic cable ties to secure air lines inside runways.
- 42) Use the hose barb and clamp provided to connect the button valve to a suitable air source. **Air supply must be clean, dry, lubricated, and regulated to 90-120 psi.** The FRL, must be within 30 feet of valve. **Failure to provide clean, dry, lubricated, and**

pressure regulated air will void warranty on pneumatic components.

- 43) Energize air valve assembly and insure that all air cylinders are working properly.
- 44) Raise and lower lift several times to bleed hydraulic cylinder. Hydraulic cylinder is self bleeding. Lower lift and check fluid level in reservoir. Add fluid as needed.
- 45) Run lift to full rise and continue running motor approximately 5 more seconds. Check hydraulic hose and connections for leaks. Retighten fitting if leaking.
- 46) Raise lift approximately half way. Slowly jog power unit until you hear one of the locks engage. Adjust locking ladder until it just barely raises the crossbeam end. Back off 1/2 turn. Repeat for each column.

ALIGNMENT RUNWAYS

- 47) Lower lift and raise to check for lock engagement. The locks should engage simultaneously (clicking noise). Re-adjust locking ladders as needed.
- 48) Position Front Turn Plates (SOLD SEPARATELY) and install Guide Bars to runway using (3) #10-24 x 1" Socket Head Cap Screws and lock nuts provided. Ensure that the Turn Plates will slide freely and tighten Guide Bars.
- 49) Attach Work Step to each runway. (The Work Step may be located in three different positions on each runway.)
- 50) Install Handle to Drop-In Spacer and position behind rear Guide Bar. The Drop-In Spacer is provided for "Roll Back" alignment.

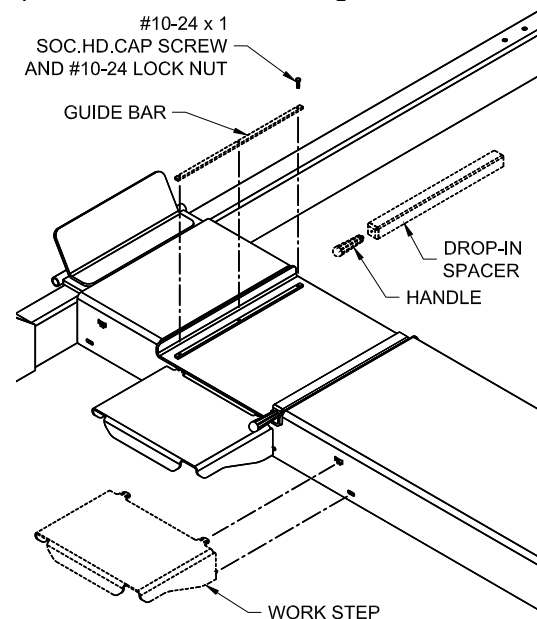


Fig 18 – Alignment Turn Plate Installation

OWNER/OPERATOR CHECKLIST

SAVE THESE INSTRUCTIONS deliver them to owner/user/employee along with other materials furnished with this lift.

Demonstrate the operation of the lift to the owner/operator and review correct and safe lifting procedures using the **Lifting It Right** booklet as a guide.

Complete the Installation Checklist/Warranty Validation questionnaire with the owner. Review the terms of the warranty registration card, and return the card and a copy of the questionnaires to:

Challenger Lifts, Inc.

200 Cabel Street
Louisville, KY. 40206

OPERATION PROCEDURE

SAFETY NOTICES AND DECALS

This product is furnished with graphic safety warning labels, which are reproduced on page 3 of these instructions. Do not remove or deface these warning labels, or allow them to be removed or defaced. For your safety, and the safety of others, read and understand all of the safety notices and decals included.

OWNER/EMPLOYER RESPONSIBILITIES

This lift has been designed and constructed according to ANSI/ALI ALCTV-2006 standard. The standard applies to lift manufactures, as well as to owners and employers. The owner/employer's responsibilities as prescribed by ANSI/ALI ALOIM-2000, are summarized below. For exact wording refer to the actual standard provided with this manual in the literature pack.

The Owner/Employer shall insure that lift operators are qualified and that they are trained in the safe use and operation of the lift using the manufacturer's operating instructions; ALI/SM 93 - 1, ALI Lifting it Right safety manual; ALI/ST-90 ALI Safety Tips card; ANSI/ALI ALOIM-2000, American National Standard for Automotive Lifts-Safety Requirements for Operation, Inspection and Maintenance; ALI/WL Series, ALI Uniform Warning Label Decals/Placards; and in case of frame engaging lifts, ALI/LP-GUIDE, Vehicle Lifting Points/Quick Reference Guide for Frame Engaging Lifts.

The Owner/Employer shall establish procedures to periodically inspect the lift in accordance with the lift manufacturer's instructions or ANSI/ALI ALOIM-2000, American National Standard for Automotive Lifts-Safety Requirements for Operation, Inspection and Maintenance; and the

employer shall insure that the lift inspectors are qualified and that they are adequately trained in the inspection of the lift.

The Owner/Employer shall establish procedures to periodically maintain the lift in accordance with the lift manufacturer's instructions or ANSI/ALOIM-2000, American National Standard for Automotive Lifts-Safety Requirements for Operation, Inspection and Maintenance; and the employer shall insure that the lift maintenance personnel are qualified and that they are adequately trained in the maintenance of the lift.

The Owner/Employer shall maintain the periodic inspection and maintenance records recommended by the manufacturer or ANSI/ALI ALOIM-2000, American National Standard for Automotive Lifts-Safety Requirements for Operation, Inspection and Maintenance.

The Owner/Employer shall display the lift manufacturer's operating instructions; ALI/SM 93 - 1, ALI Lifting it Right safety manual; ALI/ST-90 ALI Safety Tips card; ANSI/ALI ALOIM-2000, American National Standard for Automotive Lifts-Safety Requirements for Operation, Inspection and Maintenance; and in the case of frame engaging lift, ALI/LP-GUIDE, Vehicle Lifting Points/Quick Reference Guide for Frame Engaging Lifts; in a conspicuous location in the lift area convenient to the operator.

Important Safety Instructions

When using your garage equipment, basic safety precautions should always be followed, including the following:

- 1 Read all instructions.
- 2 Care must be taken as burns can occur from touching hot parts.
- 3 To reduce the risk of fire, do not operate equipment in the vicinity of open containers of flammable liquids (gasoline).
- 4 Adequate ventilation should be provided when working on operating internal combustion engines.
- 5 Keep hair, loose clothing, fingers, and all parts of body away from moving parts.
- 6 To reduce the risk of electric shock, do not use on wet surfaces or expose to rain.
- 7 Use only as described in this manual. Use only manufacturer's recommended attachments.

Save These Instructions

LIFTING A VEHICLE

Drive vehicle onto lift. Set parking brake and/or use wheel chocks that are provided with lift.

When the vehicle has reached the desired working height, release the power pack button, and lower the vehicle until the safety locks are engaged. The vehicle should remain level when all locks are engaged. If one side engages and the other continues to descend, stop lowering the vehicle, raise it several inches, and try again to engage locks.

IMPORTANT, Before walking under the lift insure that all locks are properly engaged.

It is not safe to work under the vehicle unless all locks are engaged, and the vehicle is level.

LOWERING A VEHICLE

Insure that the area under the vehicle is clear of personnel and tools.

Raise the vehicle until locks are free.

Disengage the locks by depressing the palm button and holding it.

Lower the vehicle by depressing the lowering valve handle. Watch lift to insure that the lift is lowering evenly. If not, raise lift and check all locks to insure they are disengaged before trying to lower lift again.

Continue to lower the vehicle until the crossbeams stop against the base plate. It is important to fully lower the lift to release hydraulic pressure on the system.

MAINTENANCE

To avoid personal injury, permit only qualified personnel to perform maintenance on this equipment. Maintenance personnel should follow lockout/tagout instructions per ANSI Z244.1.

The following maintenance points are suggested as the basis of a preventive maintenance program. The actual maintenance program should be tailored to the installation. See ANSI/ALI ALOIM booklet for periodic inspection checklist and maintenance log sheet.

- If lift stops short of full rise or chatters, check fluid level and bleed both cylinders per Installation Instructions.
- Replace all Safety, Warning or Caution Labels if missing or damaged. (**See Installation instructions page 3.**)

Daily

- Keep lift components clean. **To keep alignment lifts with rear slip plates working properly use compressed air to blow out any debris from the bearing area.**
- Check for loose or broken parts.
- Check hydraulic system for fluid leaks.
- Check lock release activation.

Weekly

- Check cables and sheaves for wear or damage. Replace as required with genuine Challenger Lifts parts.
- Inspect lock mechanism for proper function.

Monthly

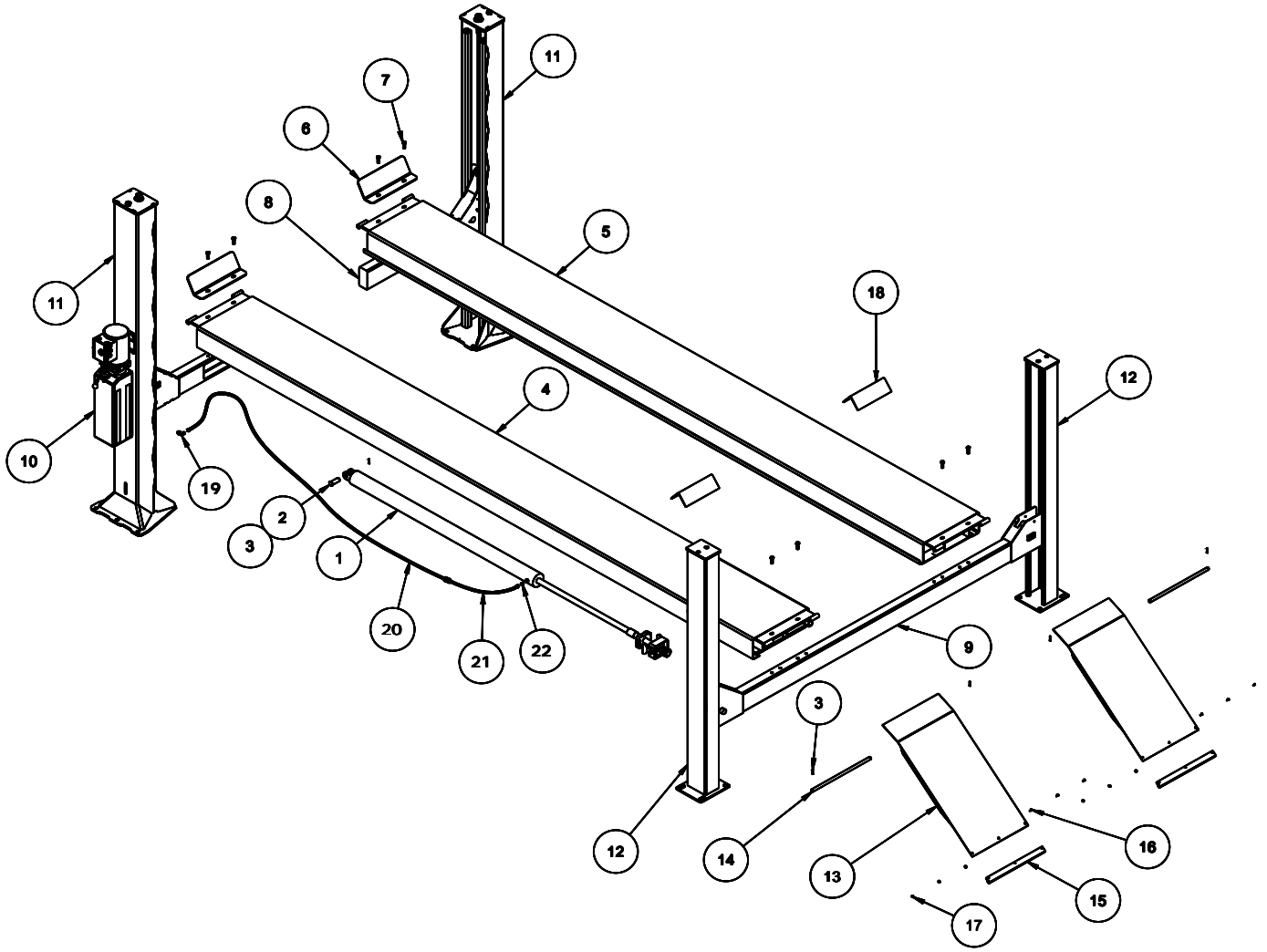
- Torque concrete anchor bolts to 80 ft-lbs.
- Clean and inspect cables and sheaves for wear or damage. Lubricate cables and sheaves with light oil.

IMPORTANT ! Failure to keep lift free of corrosive agents and solvents will lead to reduced service life, which could result in property damage and/or personal injury.

If any problems are encountered, contact your local service representative.

Parts Breakdown

Fig A. General Layout



Model OE-40000 Open Front
Installation, Operation and Maintenance

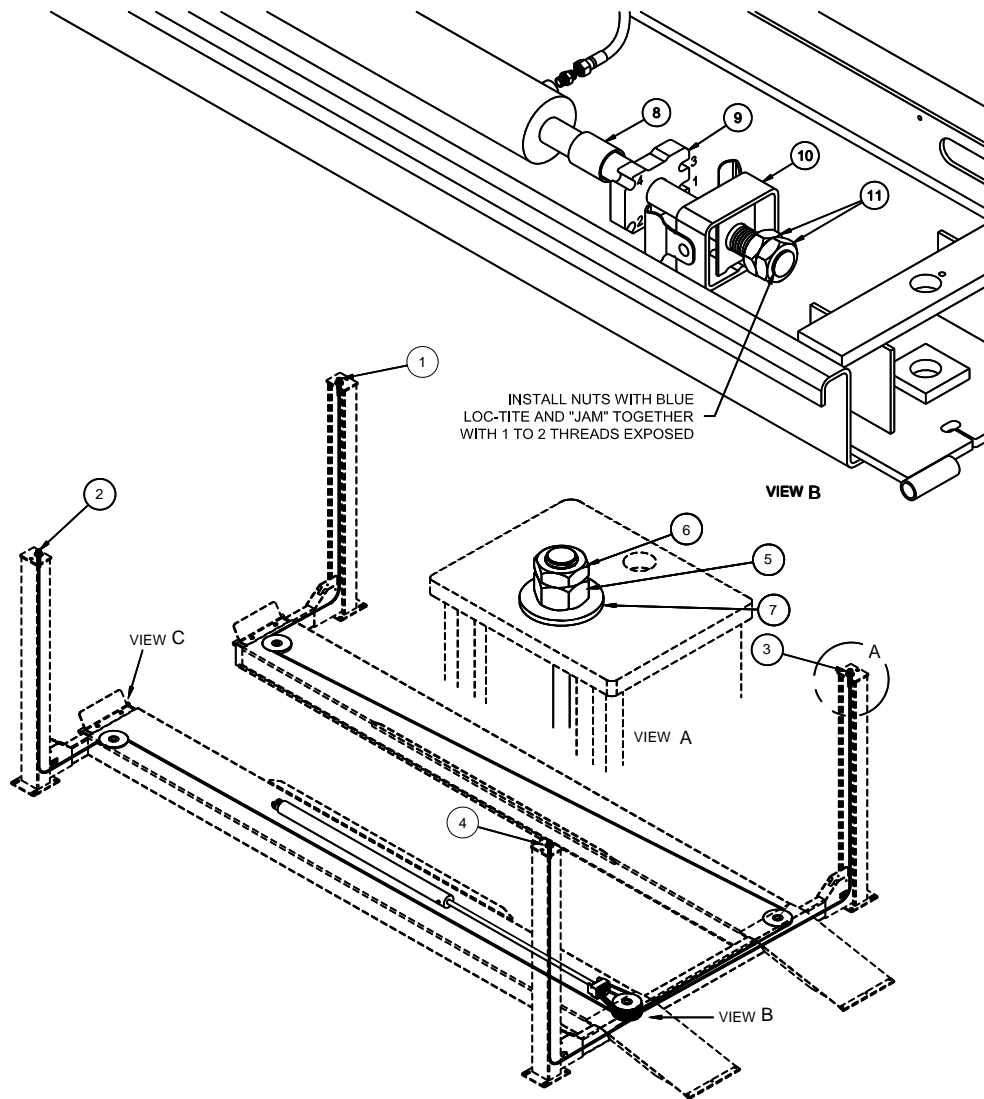
ITEM #	PART #	QTY/LIFT	DESCRIPTION
1	44011	1	HYDRAULIC CYLINDER
2	40082	1	CLEVIS PIN
3	40126	5	1/8 x 1 1/2" Lg. COTTER PIN
4	40391	1	FLAT DECK POWER RUNWAY (40XFO)
	40381		FLAT DECK POWER RUNWAY (40EFO)
	40396		ALIGNMENT POWER RUNWAY (40XAO)
	40386		ALIGNMENT POWER RUNWAY (40EAO)
5	40393	1	FLAT DECK IDLER RUNWAY (40XFO)
	40383		FLAT DECK IDLER RUNWAY (40EFO)
	40398		ALIGNMENT IDLER RUNWAY (40XAO)
	40388		ALIGNMENT IDLER RUNWAY (40EAO)
6	40266	2	WHEEL STOP
7	B40083	8	M12 x 35mm Lg. HEX.FLG.HD.CAP SCREW
8	40408 - P	1	FRONT POWER CROSS BEAM ASSEMBLY
	40408 - I	1	FRONT IDLER CROSS BEAM ASSEMBLY
9	40460	1	REAR CROSS BEAM ASSEMBLY
10	31368 - 19	1	POWER UNIT 1 PHASE, 60Hz, 208-230VAC
11	40409	2	FRONT COLUMN ASSEMBLY
12	40449 - I	2	REAR COLUMN ASSEMBLY
13	40161	2	ENTRANCE RAMP
14	40165	2	RAMP HINGE PIN
15	40168	2	RAMP SLIDE
16	31062	6	1/4-20NC x 3/4" Lg. PAN HEAD SCREW
17	40085	6	1/4-20NC HEX FLANGE NUT
18	40265	2	WHEEL CHOCK
19	16167	1	90 DEGREE ADAPTER ELBOW – MALE #6 O-RING x MALE #6 J.I.C.
	40349	1	HYDRAULIC HOSE – FEMALE #6 J.I.C. BOTH ENDS
21	39101 - 024	1	HYDRAULIC HOSE EXTENSION – 2 ft (Model 40E)
	39101 - 048		HYDRAULIC HOSE EXTENSION – 4 ft (Model 40X)
22	A1121	1	UNION ADAPTER #6 O-RING x #6 JIC 37 deg FLARE

Replace all worn or broken parts with genuine **Challenger Lifts Inc.** parts.
Contact your local Challenger Lifts Parts Distributor for pricing and availability.
(Call Challenger Lifts Inc. (502) 625-0700 for the Parts Distributor in your area)

Model OE-40000 Open Front
Installation, Operation and Maintenance

PARTS BREAKDOWN (continued)

Fig B. Cables



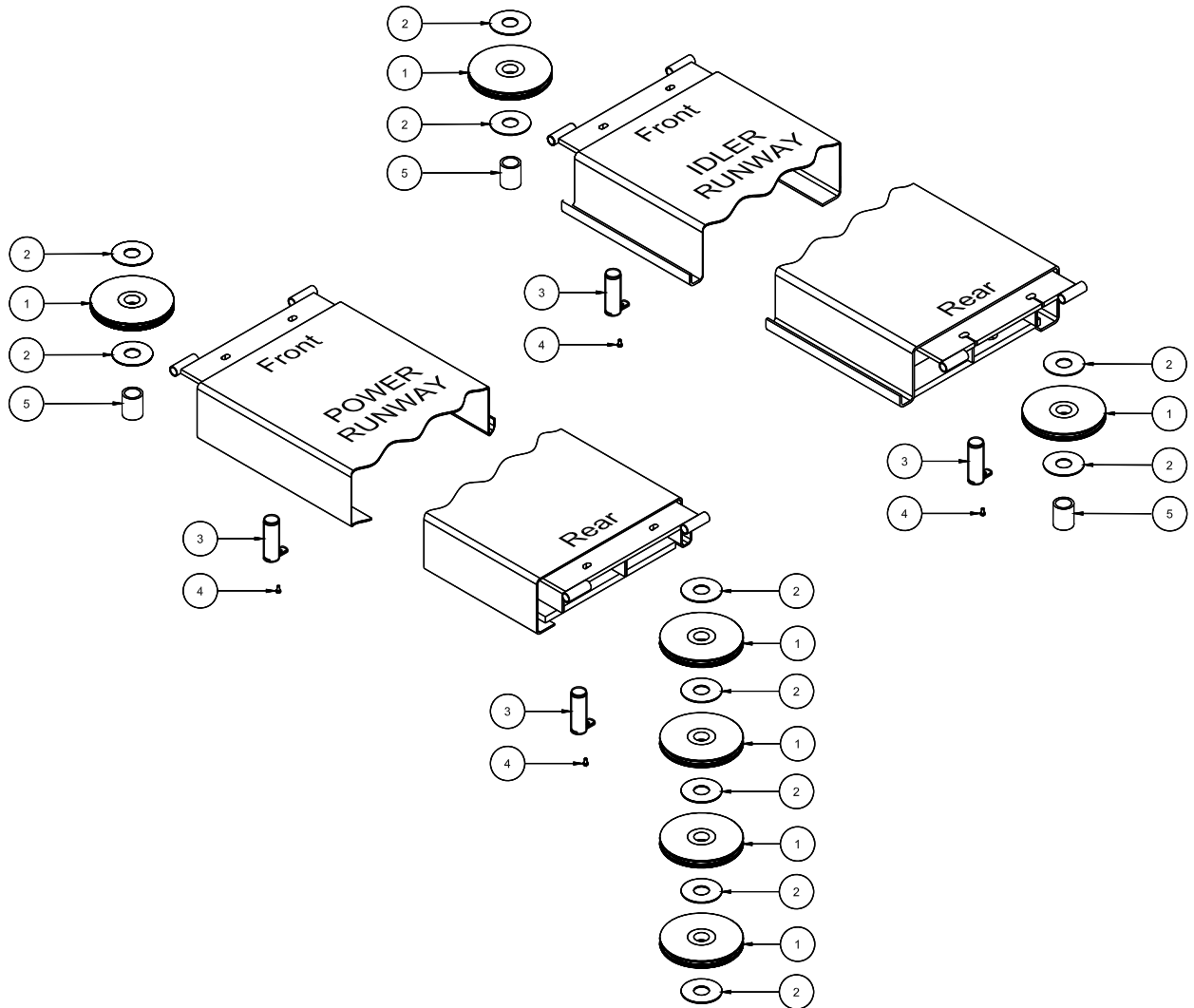
ITEM #	PART #	QTY/LIFT	DESCRIPTION
1	40472-X1	1	RIGHT FRONT CABLE #1 (40X)
	40472-E1		RIGHT FRONT CABLE #1 (40E)
2	40472-X2	1	LEFT FRONT CABLE #2 (40X)
	40472-E2		LEFT FRONT CABLE #2 (40E)
3	40472-3	1	RIGHT REAR CABLE #3
4	40472-4	1	LEFT REAR CABLE #4
5	40147	4	7/8-9NC HEX NUT
6	40148	4	7/8-9NC HEX JAM NUT
7	40149	4	7/8 FLAT WASHER
8	40438-R	1	2 1/8" SPACER
9	40473	1	CABLE PULL BAR
10	40474	1	CABLE RETAINER WELD
11	44015	2	1 3/8-12NF JAM NUT

Replace all worn or broken parts with genuine **Challenger Lifts Inc.** parts.
Contact your local Challenger Lifts Parts Distributor for pricing and availability.
(Call Challenger Lifts Inc. (502) 625-0700 for the Parts Distributor in your area)

Model OE-40000 Open Front
Installation, Operation and Maintenance

PARTS BREAKDOWN (continued)

Fig C. Runway Sheaves



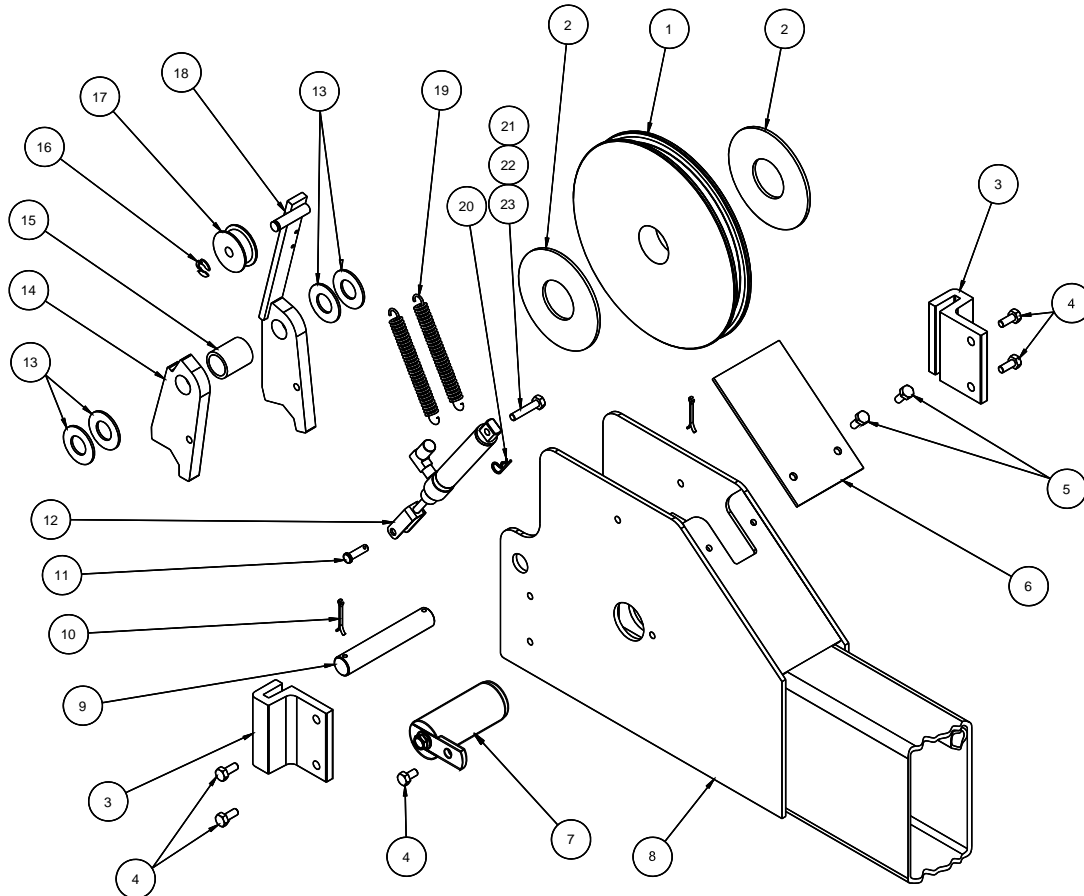
ITEM #	PART #	QTY/LIFT	DESCRIPTION
1	40050	10	SHEAVE
2	40053	11	1/8" THICK BEARING
3	B40055	4	SHEAVE PIN WELD (RUNWAY)
4	B31188	16	M8 x 16mm Lg HEX LOCKING FLANGE HEAD CAP SCREW
5	40438-R	3	RUNWAY SHEAVE SPACER

Replace all worn or broken parts with genuine **Challenger Lifts Inc.** parts.
Contact your local Challenger Lifts Parts Distributor for pricing and availability.
(Call Challenger Lifts Inc. (502) 625-0700 for the Parts Distributor in your area)

Model OE-40000 Open Front
Installation, Operation and Maintenance

PARTS BREAKDOWN (continued)

Fig D. Rear Cross Beam



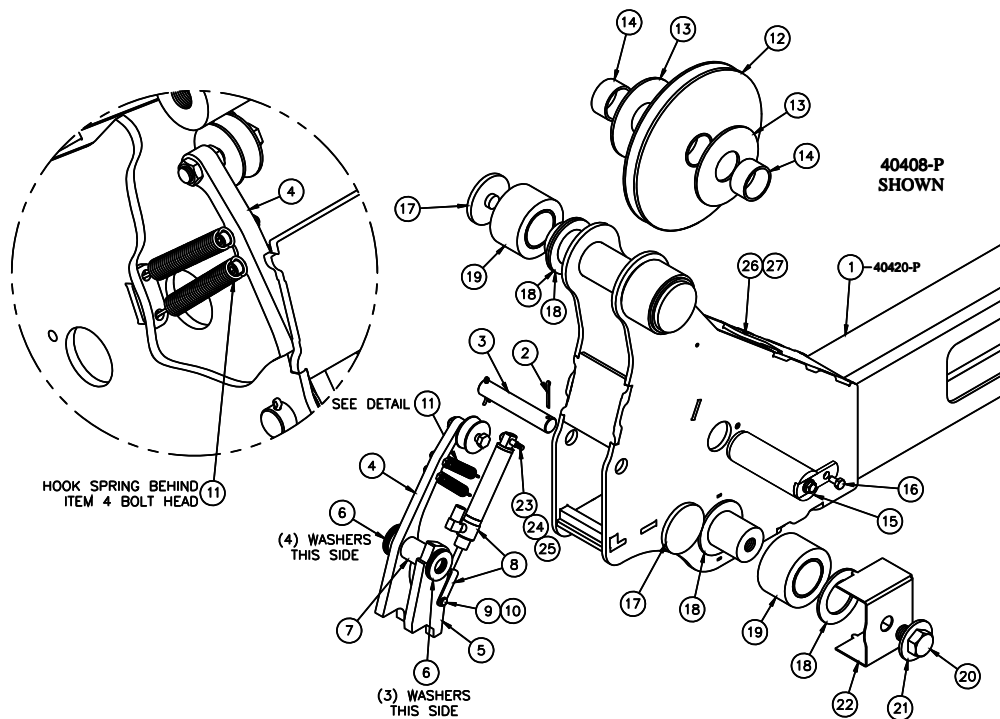
ITEM #	PART #	QTY/LIFT	DESCRIPTION
1	40050	10	SHEAVE
2	40053	4	1/8" THICK BEARING
3	40118	4	SLIDE BLOCK
4	B31188	16	M8 x 16mm Lg HEX LOCKING FLANGE HEAD CAP SCREW
5	40120	8	1/4-20NC x 1/2" Lg. SELF TAPPING SCREW
6	40122	2	RUBBER SHEAVE GUARD (REAR)
7	B40116	4	SHEAVE PIN (CROSS BEAM)
8	40461	1	REAR CROSS BEAM WELD
9	40127	4	LOCK PIVOT PIN
10	40126	8	1/8" x 1 1/2" Lg. COTTER PIN
11	40123	4	CLEVIS PIN
12	40141	4	AIR CYLINDER ASSEMBLY
13	40128	16-28	3/4" WASHER - (1.5 O.D. x .13 THICK NOMINAL)
14	40131	4	PRIMARY LOCK PAWL
15	40132	4	SPACER BUSHING
16	40137	2	RETAINING RING
17	40135	2	ROLLER
18	40134	2	SLACK CABLE LATCH
19	40139	8	EXTENSION SPRING
20	40124	4	HAIR PIN COTTER PIN
21	40466	2	1/4-28NF x 1 1/16" Lg HEX HEAD BOLT
22	40467	2	1/4-28NF HEX NUT
23	40144	2	1/4-28NF HEX JAM NUT

Replace all worn or broken parts with genuine **Challenger Lifts Inc.** parts.
Contact your local Challenger Lifts Parts Distributor for pricing and availability.
(Call Challenger Lifts Inc. (502) 625-0700 for the Parts Distributor in your area)

Model OE-40000 Open Front
Installation, Operation and Maintenance

PARTS BREAKDOWN (continued)

Fig E. Front Cross Beam



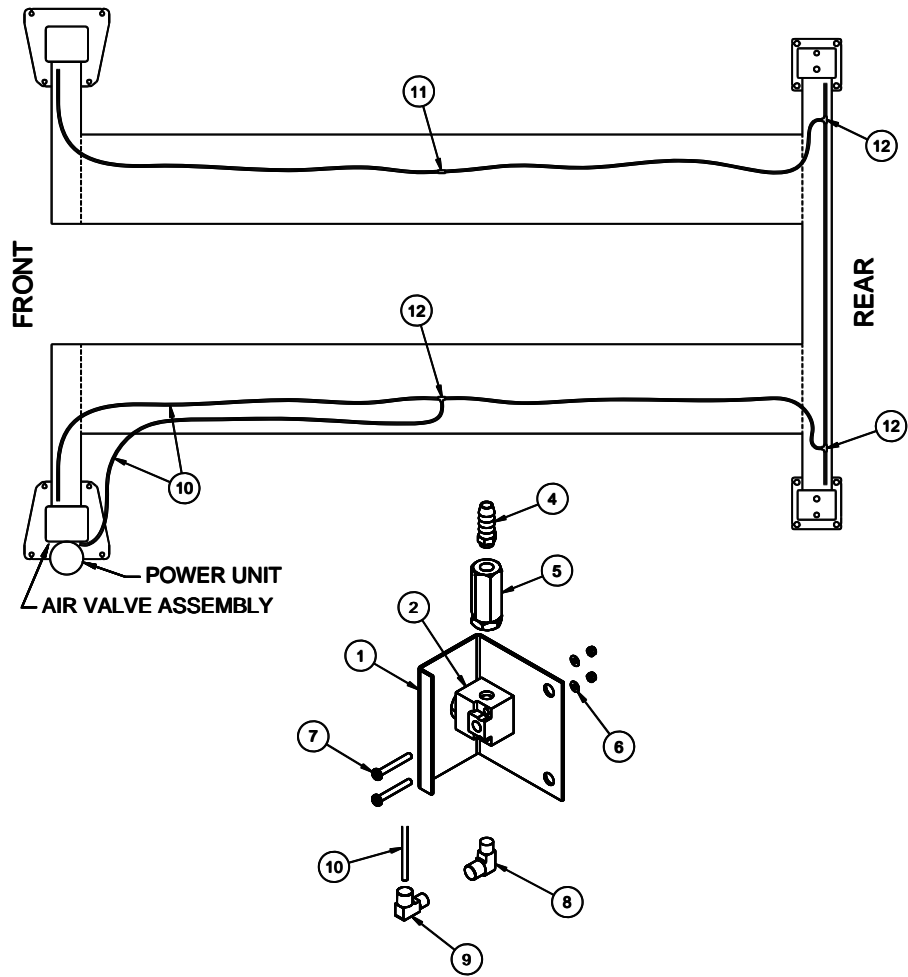
ITEM #	PART #	QTY/LIFT	DESCRIPTION
1	40420-P	1	CROSS BEAM WELD (POWER SIDE)
	40420-I	1	CROSS BEAM WELD (IDLER SIDE)
2	40126	8	1/8" x 1 1/2" Lg. COTTER PIN
3	40127	4	LOCK PIVOT PIN
4	40440	2	SLACK LOCK ASSEMBLY
5	40131	4	PRIMARY LOCK PAWL
6	40128	16-28	3/4" WASHER - (1.5 O.D. x .13 THICK NOMINAL)
7	40132	4	SPACER BUSHING
8	40141	4	AIR CYLINDER ASSEMBLY
9	40123	4	CLEVIS PIN
10	40124	4	HAIR PIN COTTER PIN
11	40139	8	EXTENSION SPRING
12	40050	10	SHEAVE
13	40053	11	1/8" THICK BEARING
14	40438-X	4	SHEAVE SPACER BUSHING (CROSS BEAM)
15	B40116	4	SHEAVE PIN (CROSS BEAM)
16	B31188	16	M8 x 16mm Lg HEX LOCKING FLANGE HEAD CAP SCREW
17	40425	8	WEAR BUTTON
18	40426	16	THRUST BEARING
19	40430	8	ROLLER WHEEL ASSEMBLY
20	40433	4	3/4-10NC x 1" Lg. HEX.HD.CAP SCREW
21	40434	4	3/4" PLAIN WASHER (13/16" I.D. x 2" O.D.)
22	40435	4	ROLLER COVER
23	40466	2	1/4-28NF x 1 1/16" Lg HEX HEAD BOLT
24	40467	2	1/4-28NF HEX NUT
25	40144	2	1/4-28NF HEX JAM NUT
26	40443	2	METAL SHEAVE GUARD (FRONT)
27	40120	8	1/4-20NC x 1/2" Lg. SELF TAPPING SCREW

Replace all worn or broken parts with genuine **Challenger Lifts Inc.** parts.
Contact your local Challenger Lifts Parts Distributor for pricing and availability.
(Call Challenger Lifts Inc. (502) 625-0700 for the Parts Distributor in your area)

Model OE-40000 Open Front
Installation, Operation and Maintenance

PARTS BREAKDOWN (continued)

Fig F. Air Lock Release



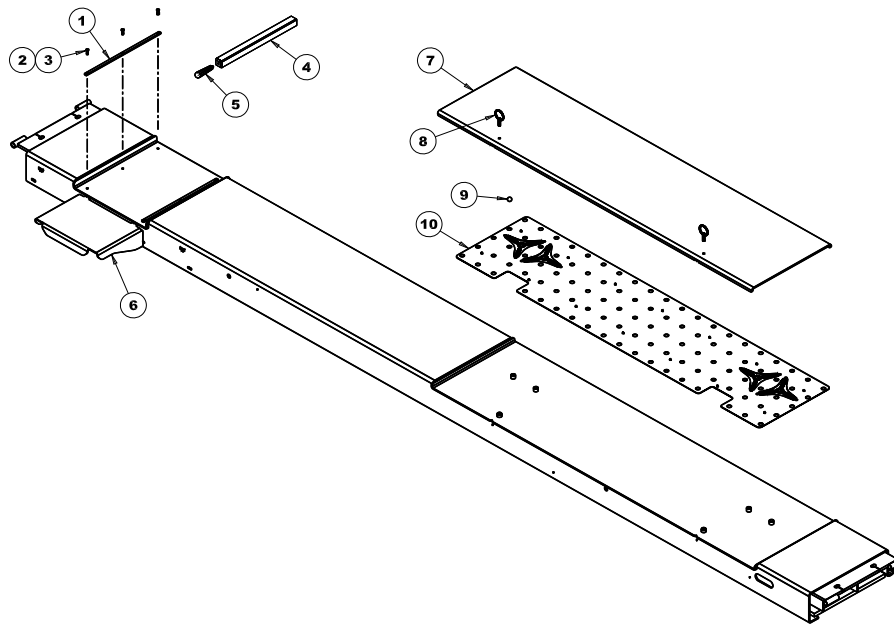
ITEM #	PART #	QTY/LIFT	DESCRIPTION
1	37015	1	BUTTON VALVE BRACKET
2	37016	1	AIR VALVE
3	40091	1	IN-LINE AIR FILTER
4	37021	1	HOSE BARB
5	37023	2	#8-32 HEX NUT
6	37024	2	#8 LOCK WASHER
7	37022	2	#8-32 x 1 1/4" Lg. PAN HD. SCREW
8	37020	1	1/8" NPT STREET ELBOW
9	37019	1	1/8" NPTM x 1/8" PUSH-LOCK 90 DEGREE ELBOW
10	00901	60 ft.	1/8" DIA. PLASTIC AIR LINE
11	40445	1	1/8" STRAIGHT UNION
12	37032	3	1/8" UNION TEE

Replace all worn or broken parts with genuine **Challenger Lifts Inc.** parts.
Contact your local Challenger Lifts Parts Distributor for pricing and availability.
(Call Challenger Lifts Inc. (502) 625-0700 for the Parts Distributor in your area)

Model OE-40000 Open Front
Installation, Operation and Maintenance

PARTS BREAKDOWN (continued)

Fig G. Alignment Equipment



ITEM #	PART #	QTY/LIFT	DESCRIPTION
1	40291	4	GUIDE BAR
2	40299	12	#10-24 x 1" SOC.HD.CAP SCREW
3	055-127	12	#10-24 HEX LOCK NUT
4	40296	2	DROP-IN SPACER
5	40295	2	HANDLE
6	40506	2	WORK STEP
7	40530	2	REAR SLIP PLATE WELDMENT
8	40220	4	PIN ASSEMBLY
9	40211	196	3/4" DIA. BALL
10	40525	2	BALL RETAINER ASSEMBLY
	40526	2	BALL RETAINER SHEET
	40527	28	STAND-OFF PIN
	40528	28	STAND-OFF SPACER (GROMMET)
	40221	24	1/2" DIA. EXTENSION SPRING
	40219	8	7/8" INTERNAL TOOTH LOCK WASHER

Replace all worn or broken parts with genuine **Challenger Lifts Inc.** parts.
Contact your local Challenger Lifts Parts Distributor for pricing and availability.
(Call Challenger Lifts Inc. (502) 625-0700 for the Parts Distributor in your area)