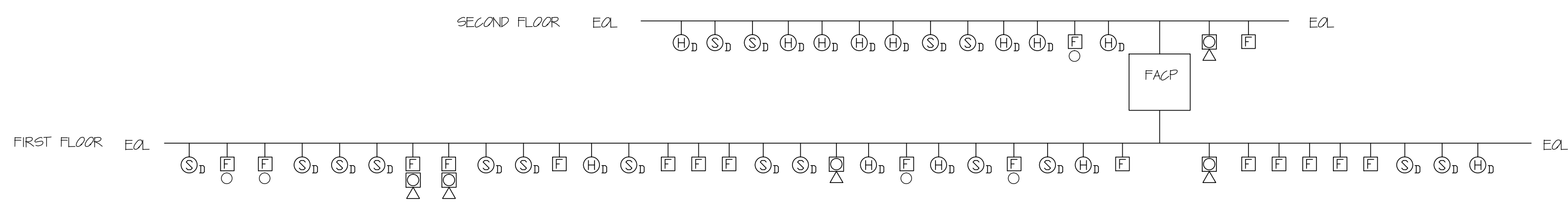


ELECTRIC SYMBOLS			
SYMBOL	DESCRIPTION	SYMBOL	DESCRIPTION
	120V DUPLEX RECEPTACLE		SINGLE POLE SWITCH
	120V QUAD RECEPTACLE		THREE WAY SWITCH
	120V DUPLEX RECEPTACLE W/ (2) USB		OCCUPANCY SENSOR SWITCH
	120V GFCI DUPLEX RECEPTACLE		PHOTOCELL
	120V GFCI WATERPROOF DUPLEX		MOTOR
	208V RECEPTACLE		MOTOR W/ LIGHT
	120V DUPLEX FLOOR RECEPTACLE		JUNCTION BOX
	WALL LIGHT FIXTURE		SAFETY SWITCH
	CEILING FIXTURE		TELEPHONE RECEPTACLE
	REMO. CEILING FIXTURE		CAT6 NETWORK RECEPTACLE
	2x2 LED LIGHT FIXTURE		TELEPHONE/CAT6 NETWORK RECEPTACLE
	EXIT LIGHT		CABLE TELEVISION RECEPTACLE
	REMOTE EM. LIGHT HEAD		CIRCUIT LEG & CIRCUIT #
	BATTERY PACK/EM. LIGHTS		HEIGHT ABOVE FINISHED FLOOR
	DOOR BELL - BUTTON		FIRE ALARM PULL
	DOOR BELL		FIRE ALARM STROBE
	SMOKE DETECTOR		FIRE ALARM HORN & STROBE
	HEAT DETECTOR		FIRE ALARM HORN

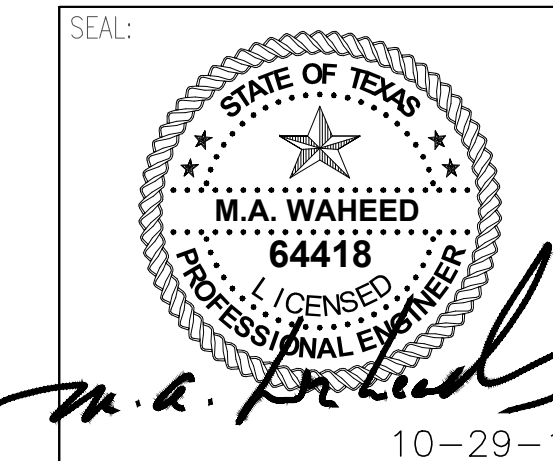
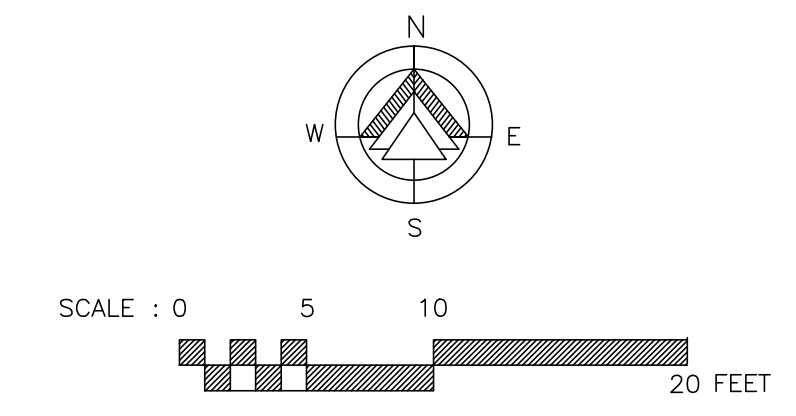
KEY NOTE:
 ① LOCATE PANELS MD, LP1 AND LP2 IN ELECTRICAL ROOM ON FIRST FLOOR AS SHOWN ON DRAWING E-3.

PANEL 'LP2'											
200 AMP 120/208 3Ø 60HZ 42 SPACE PANEL BOARD - SOLID NEUTRAL - GROUND BAR KIT - 4 WIRE - #4/0 CU AND ONE #6 GND IN 2 1/2" CONDUIT, MAIN LUG ONLY											
COND	WIRE	LOAD (KW)/ LOCATION	CIRCUIT	BREAKER	MAIN	BREAKER	CIRCUIT LOAD (KW)/ LOCATION	WIRE			
1/2	12	LIGHTS 0.8 KW/ PORTICO	1	20 ASP		20 ASP	2 LIGHTS 0.8 KW/ PORTICO	12	1/2		
1/2	12	LIGHTS 0.4 KW/ GIFT	3	20 ASP		20 ASP	4 LIGHTS 0.5 KW/ OFFICE	12	1/2		
1/2	12	LIGHTS 0.8 KW/ PRAYER	5	20 ASP		20 ASP	6 LIGHTS 0.7 KW/ PRAYER	12	1/2		
1/2	12	LIGHTS 0.6 KW/ PRAYER	7	20 ASP		20 ASP	8 LIGHTS 0.5 KW/ PRAYER	12	1/2		
1/2	12	LIGHTS 0.4 KW/ PRAYER	9	20 ASP		20 ASP	10 LIGHTS 0.3 KW/ NIGHT	12	1/2		
1/2	12	LIGHTS 0.4 KW/ PRAYER	11	20 ASP		20 ASP	12 LIGHTS 0.4 KW/ PRAYER	12	1/2		
1/2	12	LIGHTS 0.6 KW/ PRAYER	13	20 ASP		20 ASP	14 LIGHTS 0.9 KW/ EXTERIOR	12	1/2		
1/2	12	EXIT/EMER 0.1 KW/ THRUOUT	15	20 ASP		20 ASP	16 RECEPT. 1.4 KW/ PRAYER	12	1/2		
1/2	12	FACP 1.8 KW/ THRUOUT	17	20 ASP		20 ASP	18 EVC 0.8 KW/	12	1/2		
1/2	12	WP RECEPT. 0.8 KW/ EXTERIOR	19	20 ASP		20 ASP	20 RECEPT. 0.8 KW/ OFFICES	12	1/2		
1/2	12	RECEPT. 0.8 KW/MGR. OFFICE	21	20 ASP		20 ASP	22 RECEPT. 1.2 KW/ GIFT SHOP	12	1/2		
1/2	12	RECEPT. 1.4 KW/ PRAYER	23	20 ASP		20 ASP	24 RECEPT. 1.4 KW/ PRAYER	12	1/2		
1/2	12	RECEPT. 0.8 KW/ PRIEST	25	20 ASP		20 ASP	26 MOTOR 1.0 KW/ELEVATOR	12	1/2		
1/2	12	RECEPT. 1.4 KW/ PRAYER	27	20 ASP		20 ASP	28 J-BDX 1.0 KW/CHANDELIER	12	1/2		
1/2	12	J-BDX 1.0 KW/ CDVE LTS	29	20 ASP		20 ASP	30 LIGHT 1.0 KW/ EXMURGENCY	12	1/2		
1/2	12	J-BDX 1.0 KW/ ARTWORK	31	20 ASP		20 ASP	32 WASHER	12	1/2		
1/2	12	DEDICATED QUAD OUTLET	33	20 ASP		30 ASP	34 DRYER	10	3/4		
1/2	12	A/V CONTROLLER	35	20 ASP		20 ASP	36	-	-		
1/2	12	J-BDX 1.0 KW/ ROOF LTS	37	20 ASP		20 ASP	38 EVC	12	1/2		
1/2	12	GRAND STAIRS LIGHTS	39	20 ASP		20 ASP	40 GRAND STAIRS LIGHTS	12	1/2		
-	-	SPARE	41	20 ASP		20 ASP	42 EVC	12	1/2		
				TOTAL CONNECTED LOAD		19.0 KW	9.3 KW				

SECOND FLOOR POWER PLAN
 SCALE : 1/8" = 1' - 0"



FIRE ALARM RISER
 NOT TO SCALE



CONSULTANT:
WAHEED CONSULTING
 MECHANICAL-ELECTRICAL-PLUMBING SYSTEM DESIGNS
 Registration No. F-6336

09-16-2016 REVISED ELECTRICAL PLAN
 date 10-05-2015 RELEASE FOR CONSTRUCTION
 scale AS NOTED
 drawn by CADD-NV
 SHASHI D. PATEL AIA NCARB
 ARCHITECTS AND PLANNERS
 442 EAST END AVE. STE-B. PITTSBURGH PA 15221

SECOND FLOOR POWER PLAN
 CONSTRUCTION DOCUMENT PHASE
 RADHA KRISHNA TEMPLE
 ALLEN TEXAS

dwg. 07162013
 no. E-4

COPYRIGHT © 2014 BY SHASHI D. PATEL, AIA. ALL RIGHTS RESERVED. REPRODUCTION IN PART OR WHOLE IS PROHIBITED WITHOUT A WRITTEN CONSENT FROM SHASHI D. PATEL, AIA, NCARB

TEL (817) 793 2010, FAX: (972) 442 4063
 420 PARKSIDE ST. MURPHY, TX, 75094
 E-mail: waheedmep@yahoo.com