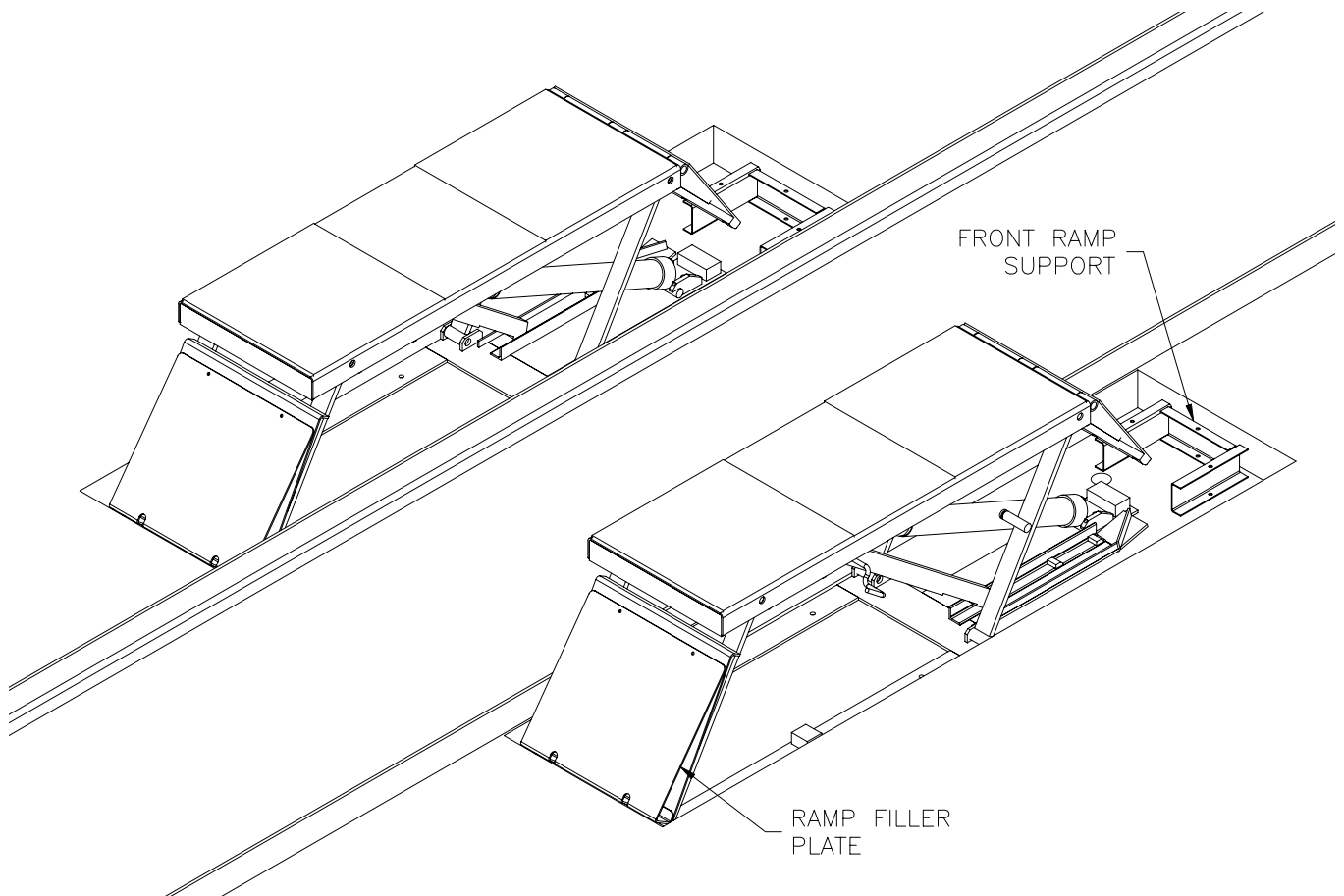


# INSTALLATION MANUAL SUPPLEMENT

## Flush Mount Kit for model 68000 Pit Lift



200 Cabel Street, P.O. Box 3944 Louisville, Kentucky 40201-3944

Email: [sales@challengerlifts.com](mailto:sales@challengerlifts.com) Web site: [www.challengerlifts.com](http://www.challengerlifts.com)

**Office 800-648-5438 / 502-625-0700 Fax 502-587-1933**

**IMPORTANT: READ THIS MANUAL COMPLETELY BEFORE  
INSTALLING or OPERATING LIFT**

Flush Mount Kit (68000 Pit Lift)  
Installation Supplement

**READ ENTIRE MANUAL BEFORE ASSEMBLING, INSTALLING, OPERATING, OR SERVICING THIS EQUIPMENT. PROPER MAINTENANCE AND INSPECTION IS NECESSARY FOR SAFE OPERATION. DO NOT OPERATE A DAMAGED LIFT.**

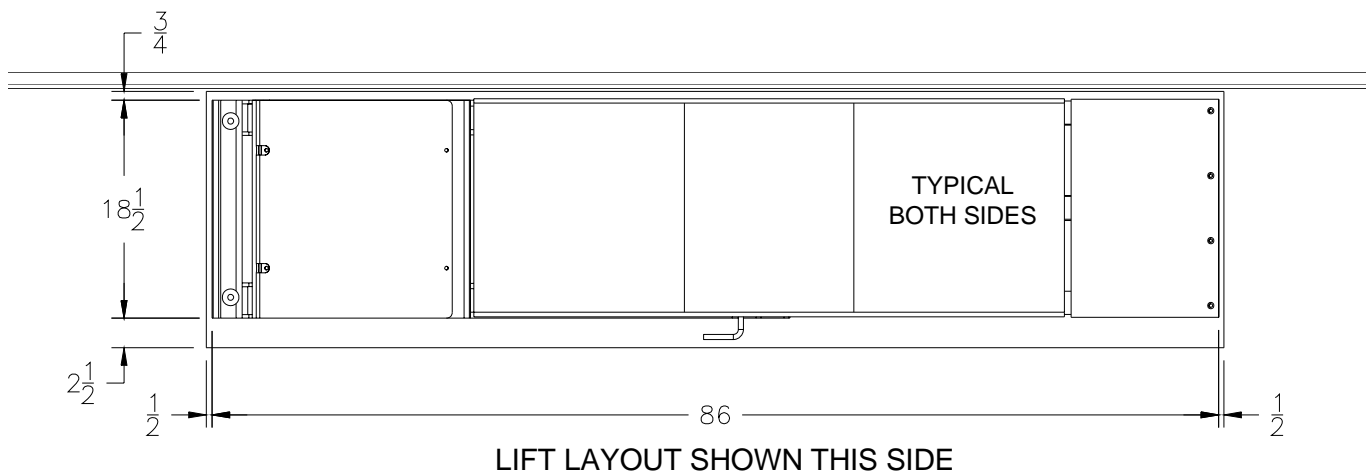
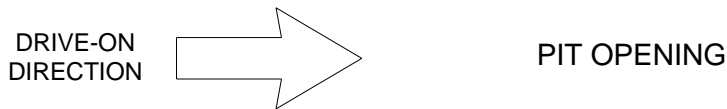
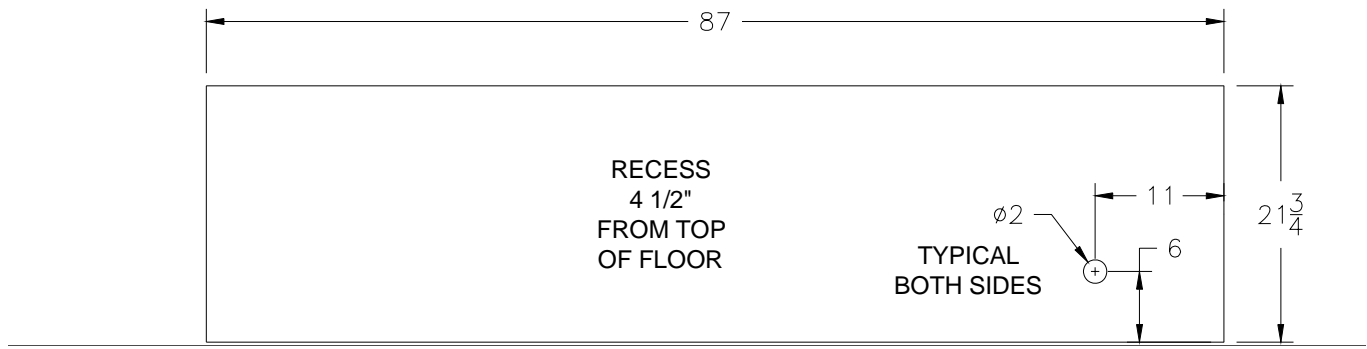
- a. Tape measure, 12ft
- b. 7/16" standard open end wrench
- c. 7/16" socket
- d. Drill with 5/16" bit
- e. Hammer drill with 1/4" diameter carbide tipped bits
- f. hammer

LAYOUT

- 1) Using **Fig. 1** of this manual for the layout, install the lift per the 68000 Installation Manual.

TOOLS (MINIMUM REQUIRED FOR RETRO-FIT)

RECESS SPECIFICATIONS SHOWN THIS SIDE



LIFT LAYOUT SHOWN THIS SIDE

FIG 1 –LIFT LAYOUT

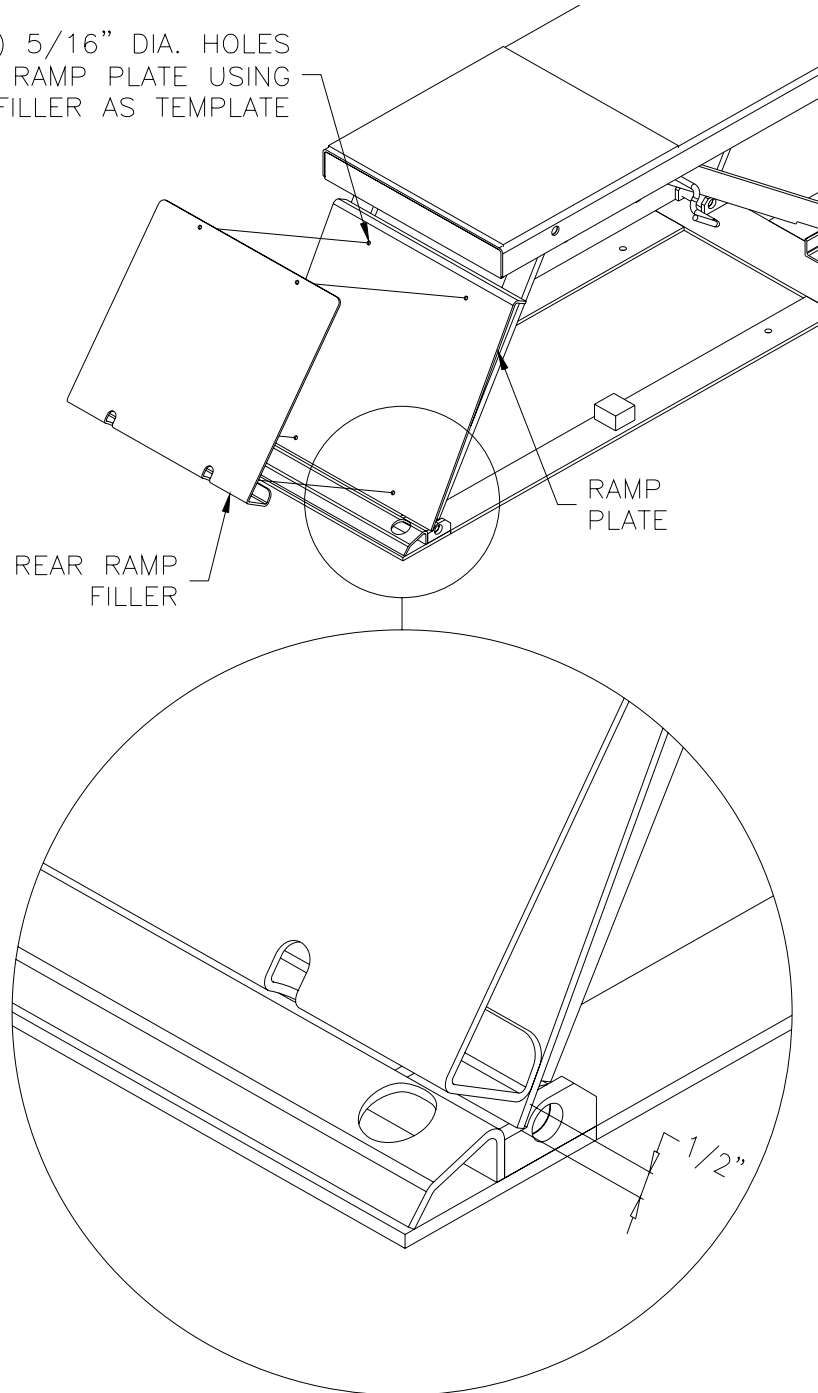
Flush Mount Kit (68000 Pit Lift)  
Installation Supplement

REAR RAMP FILLER

- 2) With lift installation complete, raise lift and locate rear ramp filler plate per **Fig. 2**.
- 3) Using filler plate as template, drill four (4) 5/16" diameter holes through the ramp plate.

- 4) Attach ramp filler to ramp with 1/4-20x3/4 hex locking flange head bolts and nuts provided.
- 5) Repeat for other side.

DRILL (4) 5/16" DIA. HOLES  
THROUGH RAMP PLATE USING  
REAR FILLER AS TEMPLATE

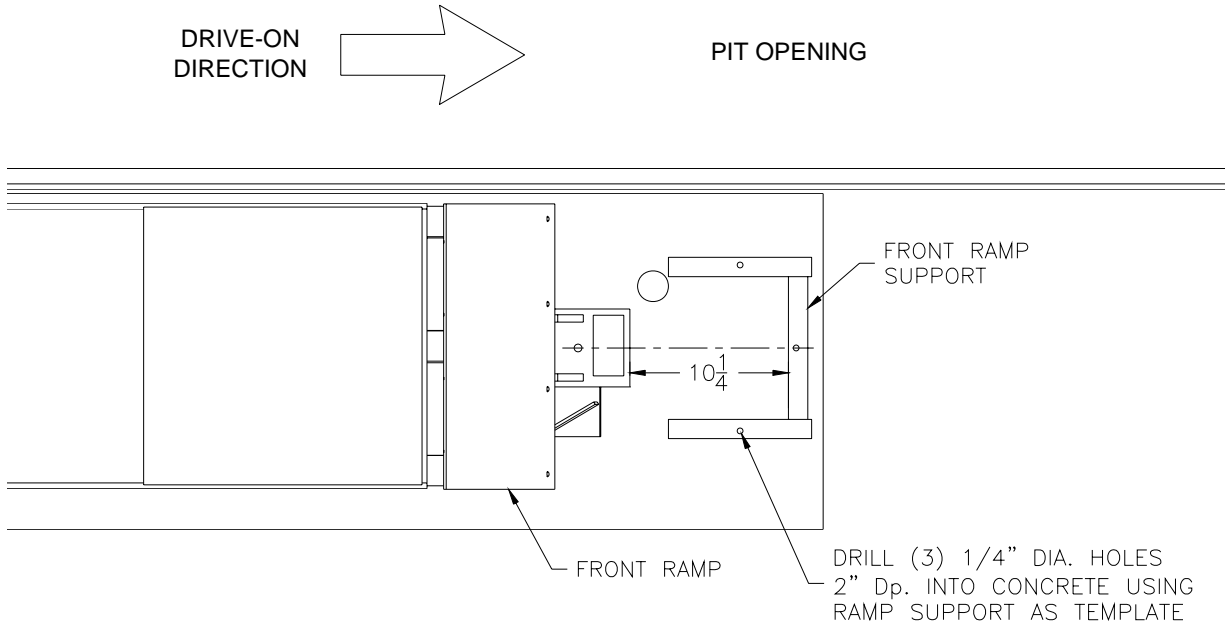


**Fig 2 – Rear Ramp Filler**

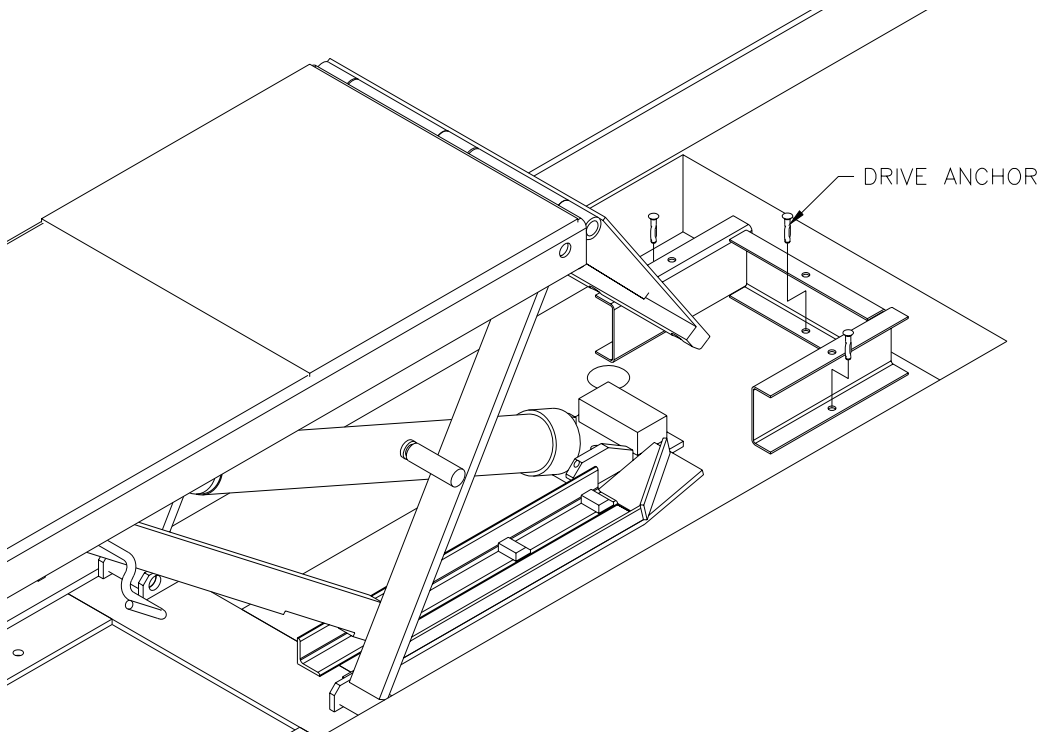
Flush Mount Kit (68000 Pit Lift)  
Installation Supplement

FRONT RAMP SUPPORT

- 6) Locate front ramp support per **Fig. 3**.
- 7) Using front ramp support as template, drill three (3) 1/4" diameter holes 2" deep into concrete.
- 8) Drive anchors into concrete through bottom flanges of front ramp support **Fig. 4**.
- 9) Repeat for other side.



**Fig 3 – Front Ramp Support**



**Fig 4 – Front Ramp Support**