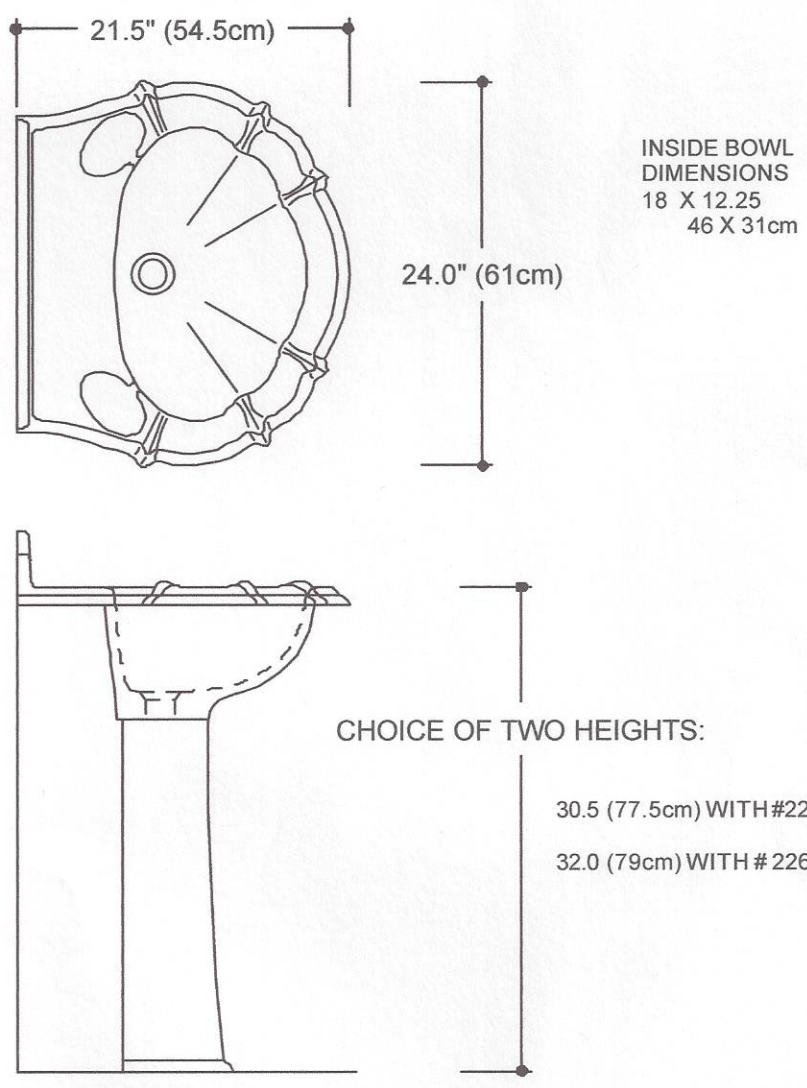


Handwritten signature

Gruber

GRUBER SYSTEMS RESERVES THE RIGHT TO CHANGE THIS INFORMATION AT ANY TIME WITHOUT PRIOR NOTICE. ISSUED BY GRUBER SYSTEMS INC., 25636 AVENUE STANFORD, VALENCIA, CA 91355, USA. COPYRIGHT 1999.



| MOLD PART | CATALOG No. | DESCRIPTION |
|--------------------|-------------------------------|---------------------------------------|
| BOWL | | |
| MALE | 22630 M | FDL PEDESTAL BASIN |
| FEMALE | 426308 M | FFO-FDL PEDESTAL NO OVERFLOW |
| FEMALE | 426298 M | FFO-FDL PEDESTAL WITH OVERFLOW |
| PEDESTAL | | |
| MALE | 22631 M | FDL PEDESTAL |
| FEMALE | 426318 M | FFO-FDL PEDESTAL |
| MALE | 22632 M | FDL PEDESTAL TALL |
| FEMALE | 426328 M | FFO-FDL PEDESTAL TALL |
| NAME | FDL PEDESTAL WASHBASIN | |
| CAST WEIGHT | SCALE 1" = 1' 0" | DATE 5-1-99 |
| | | PAGE No. PD 6 |