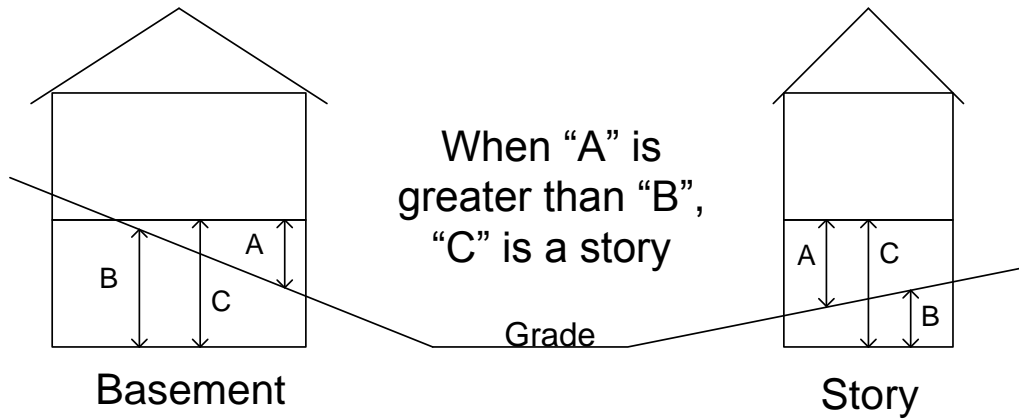
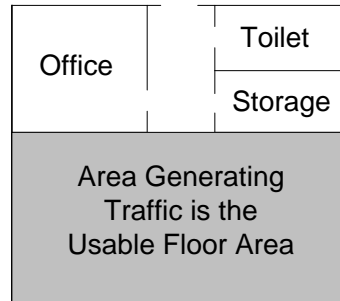
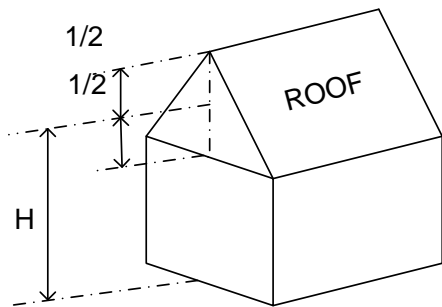


Article 2 Definitions – Referenced Diagrams

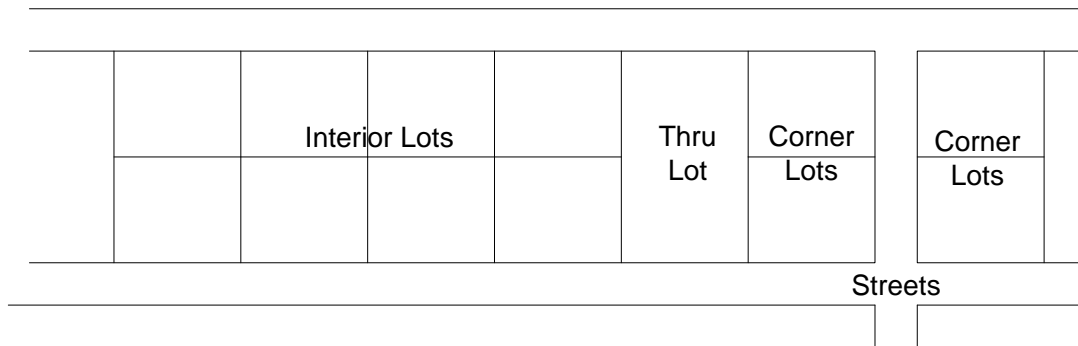


"A" is the calculated cubic feet of area above grade  
 "B" is the calculated cubic feet of area below grade



"H" = BUILDING HEIGHT

USABLE FLOOR AREA



Thru, Interior & Corner Lots