

HOW TO INSTALL VALANCE PLEATER

AN EASY WAY TO CREATE GRACEFUL SWAGS

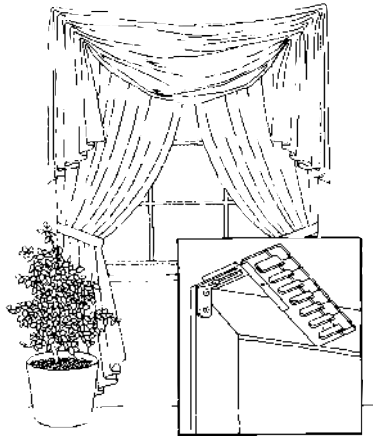


PLEASE READ ALL INSTRUCTIONS BEFORE BEGINNING CAUTION!

**Sharp pins!
Handle with care!**

Pleater:
Creates an attractive single or double swag with tails.

Extra wide valances should be made by a professional.



Important!

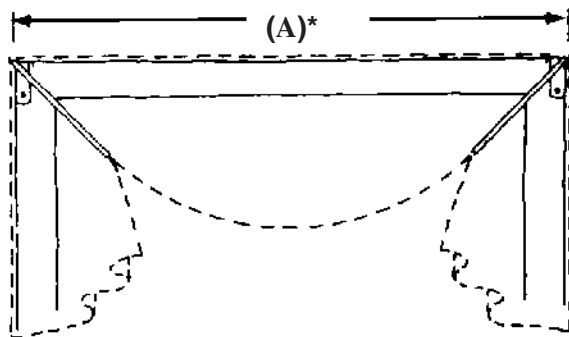
- Lined valances may be difficult.
- Floor length tails are extremely difficult.
- Windows wider than 60" require a third (center) pleater. See back of brochure for instructions.

Determining Length of Fabric:

Measure width of area to be covered (A) across window (from bracket location to bracket location). Add desired length of EACH side tail (usually 36" to 48" each). Add 16" to allow for a 4" double-fold hem on bottom of each tail.

Determining Width of Fabric:

Finished, hemmed fabric should be 40" or wider.



Side Hems:

Make 1" double-fold hems along top and bottom (selvage) edges of fabric.

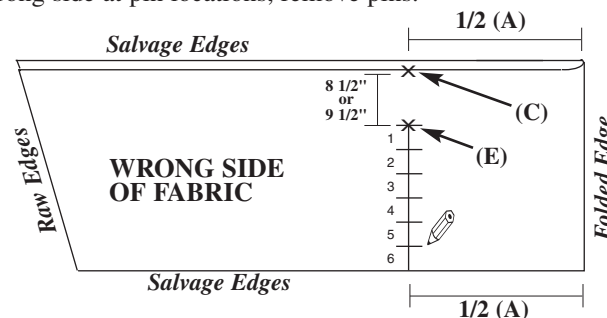
Tail Hems:

Fold fabric in half, with right sides together, raw edges aligned, as shown below. From raw edges, measure in 18" along bottom hemmed edge. Mark this position (B). Next, draw a line from this mark, up to the top corner of the fabric as shown. Cut through both layers of fabric along this line. Discard excess fabric. Make 4" double-fold tail hems along new raw edges.



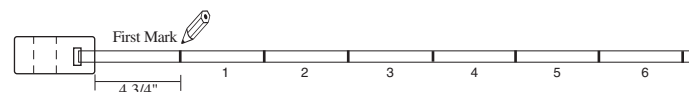
Mark Valance to create Perfect Pleating:

From folded edge, measure back 1/2 of your (A) measurement and mark as point (C). Measure down from (C) 8 1/2" [for smallest bracket extension], or 9 1/2" [for full bracket extension], mark as point (D). Draw a line straight down from point (D) to bottom edge of fabric. Divide this line into six equal spaces and mark. Pin through both layers of fabric at these marks. Mark second layer of fabric on wrong side at pin locations, remove pins.



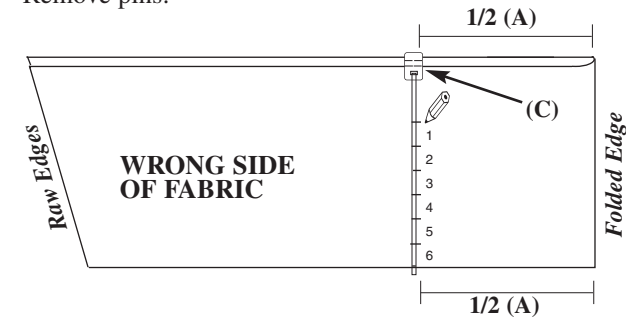
You may use the enclosed template to determine equal sections:

Staple or sew a scrap piece of elastic (at least 36" long) to template card. Mark the elastic 4 3/4" from the edge of the template card, then mark every 4 3/4" until you have six (6) equal spaces after your first mark.



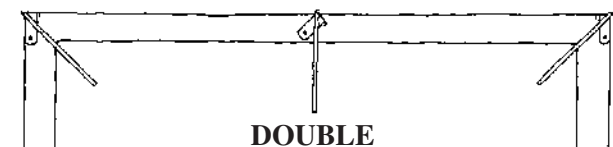
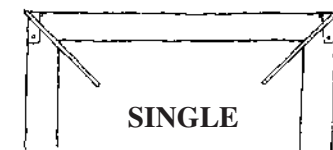
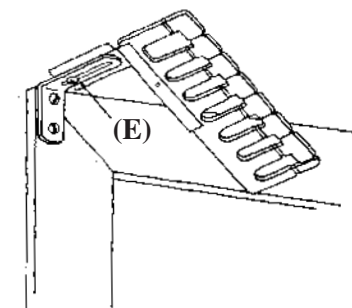
(Using template card cont.)

For full bracket extension align the 3-1/2" marking on template with top edge of fabric at position (C). For smallest bracket extension align the 2-1/2" marking on template with top edge of fabric at position (C). Secure template in proper position. Pull elastic straight down to bottom edge of fabric. Pin through both layers of fabric at all marked locations on elastic. Mark both layers on wrong sides at all pin locations. Remove pins.



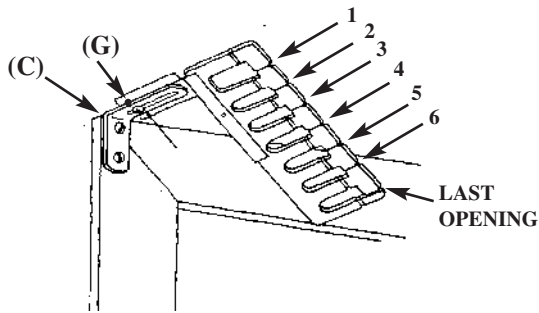
INSTALL PLEATERS:

Mount bracket with screws as shown. Brackets have adjustable projection from 2-1/2" to 3-1/2". Insert screw (E) at desired projection and tighten.



INSTALL VALANCE FABRIC

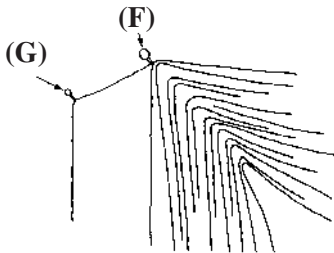
Position fabric over the top of the bracket with point (C) at the back of the bracket (at the wall). Secure fabric by pinning with small pin, through the hole in the metal bracket (G). Working down the pleater, fold each of your six marks into the openings of the pleater. Fold the hemmed edge into the last opening. Repeat for other corner pleater, then for center pleater (see special instructions).



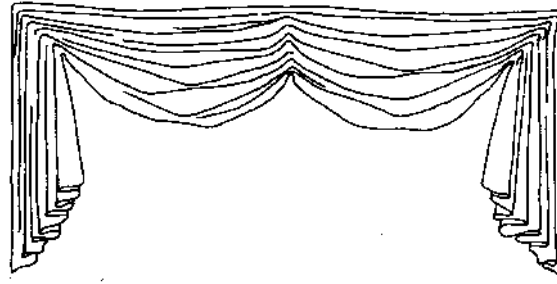
Adjust and Secure Valance Fabric:

Once all fabric is folded into pleaters, dress the folds, pulling excess fabric into the openings. You may increase swag depth by gradually lowering each fold.

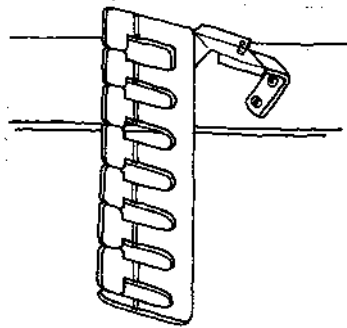
Secure swag by pushing long pin through the fabric and pleater holes, beginning at the top of pleater (F). Pull top fold taut and secure to other pleater by repeating previous step. You may also need to re-adjust back pins (G).



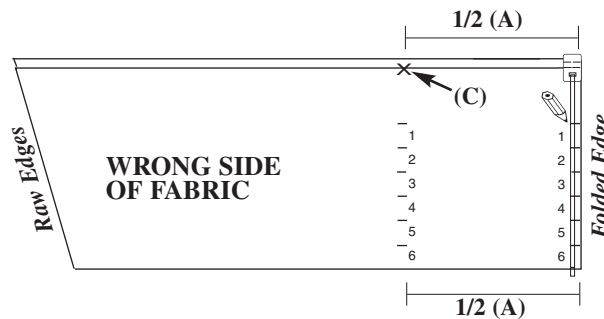
Wide Windows:



For windows wider than 60", use a third pleater mounted vertically in the center of the window.



Follow directions for hemming and marking. When marking valance for perfect pleating, make an additional set of marks at the center fold, using the same method as you did for other markings (either with or without use of template).



Fold this set of marks into center pleater after you've folded other two sets into the side pleaters. Adjust so that both swags are of equal depth.

VALANCE PLEATER AN EASY WAY TO CREATE GRACEFUL SWAGS

