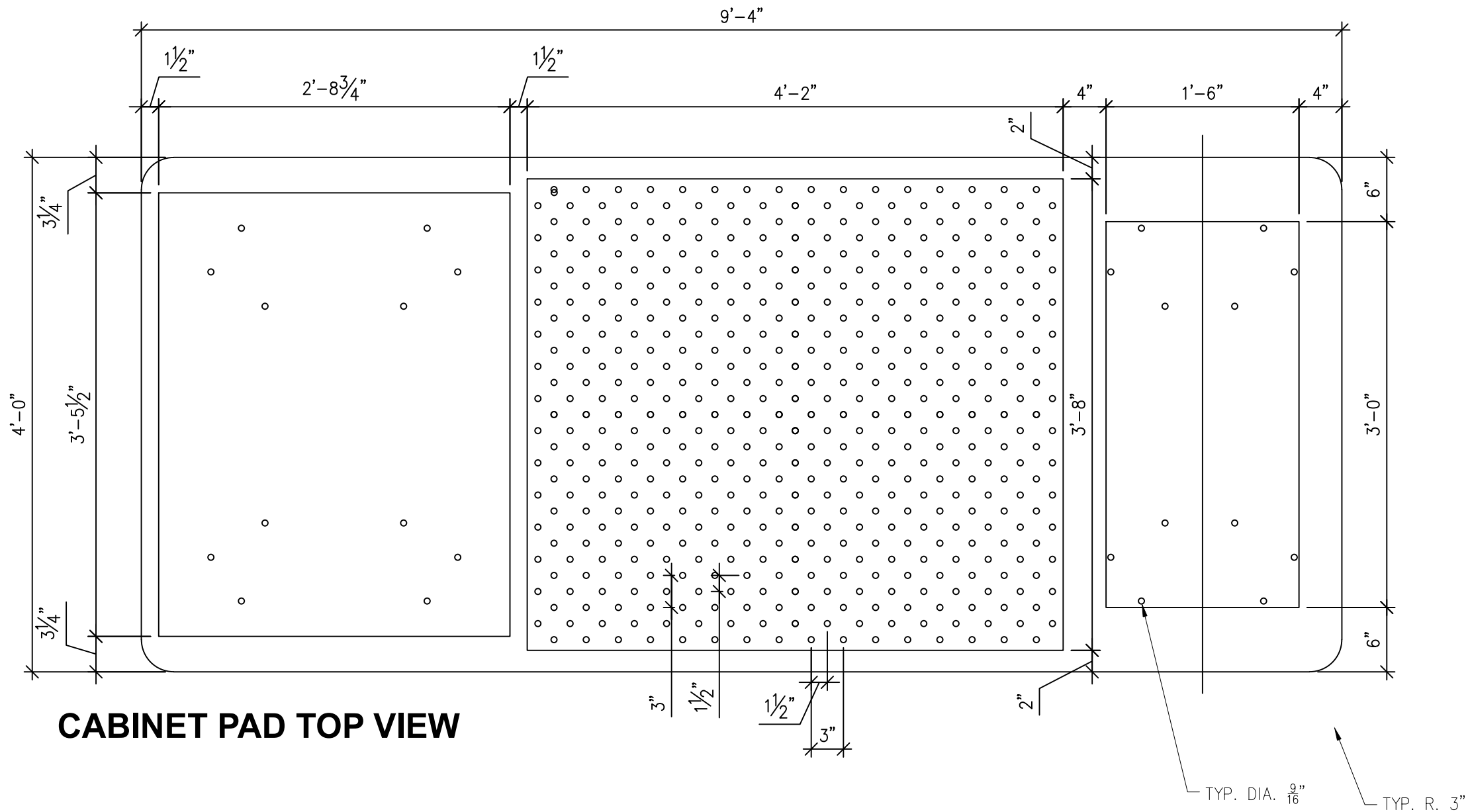
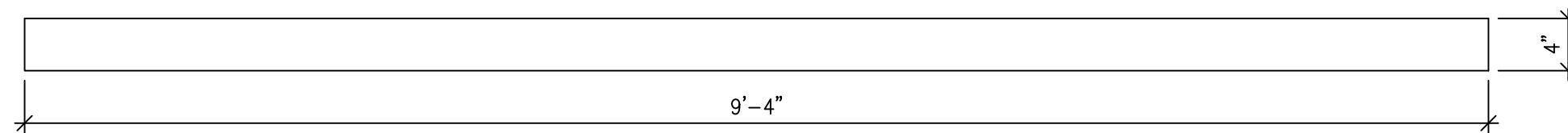


PARTS SCHEDULE

QUANTITY	PART LENGTH	WEIGHT	CU. FT.	REINF.	IN-050 INSERTS
1	9'-4"	1866 lbs	12.444	-	4



CABINET PAD TOP VIEW



CABINET PAD SIDE VIEW

PRECAST SOLUTIONS

Precast Shop Drawing Set:
PAD 4ZZOVCVDSVE

Precast Solutions Inc.
 5402 Massachusetts Ave.
 Indianapolis, IN46218

Revisions

XXXXXX
 XXXXXX
 XXXXXX
 XXXXXX

XX