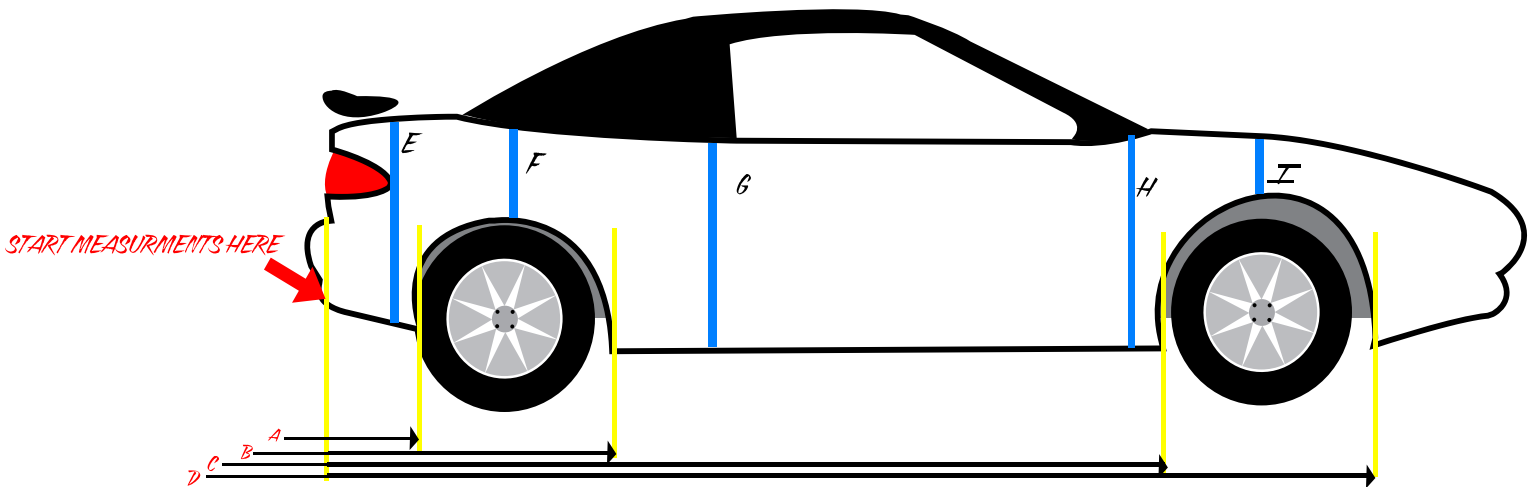
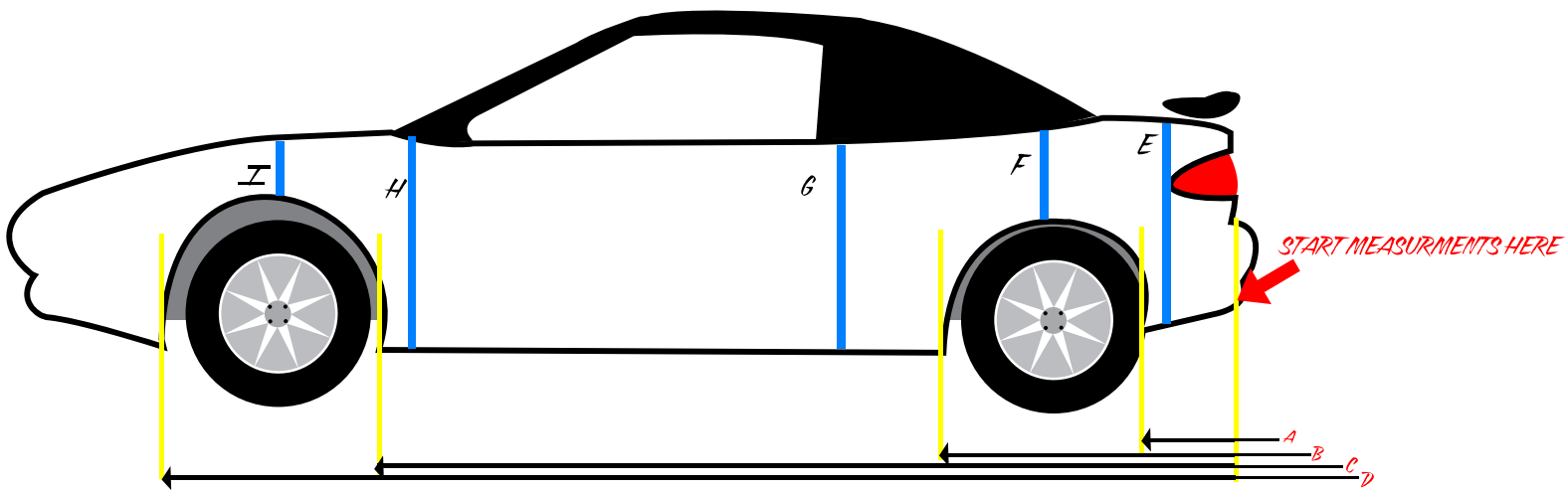


# PRO-4 DIMENSION FORM



## LEFT SIDE

Start all horizontal measurements at the rear of the car. If sides of car are identical just write same as other side.

**AGGRESSIVE**  
GRAPHICS.COM

**618.410.0534**

A \_\_\_\_\_  
 B \_\_\_\_\_  
 C \_\_\_\_\_  
 D \_\_\_\_\_  
 E \_\_\_\_\_  
 F \_\_\_\_\_  
 G \_\_\_\_\_  
 H \_\_\_\_\_  
 I \_\_\_\_\_

## RIGHT SIDE

**NAME:** \_\_\_\_\_

**CAR#:** \_\_\_\_\_

A \_\_\_\_\_  
 B \_\_\_\_\_  
 C \_\_\_\_\_  
 D \_\_\_\_\_  
 E \_\_\_\_\_  
 F \_\_\_\_\_  
 G \_\_\_\_\_  
 H \_\_\_\_\_  
 I \_\_\_\_\_

**AGGRESSIVE**  
GRAPHICS.COM

**618.410.0534**

email:  
[info@aggressivegraphics.com](mailto:info@aggressivegraphics.com)