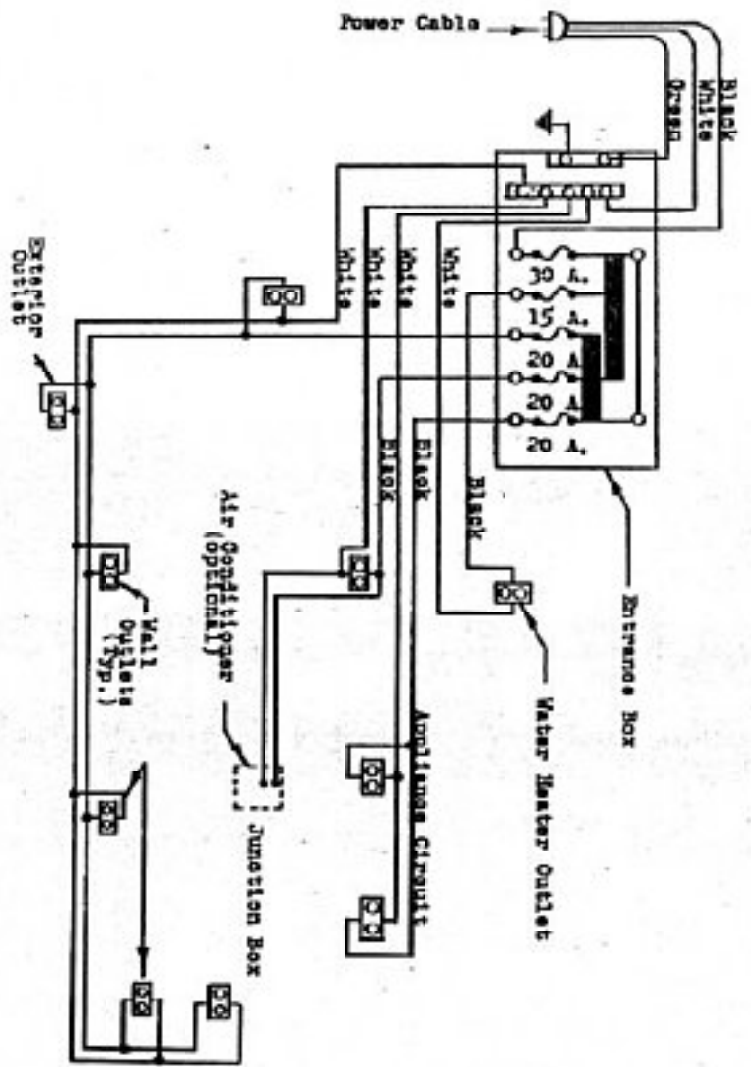


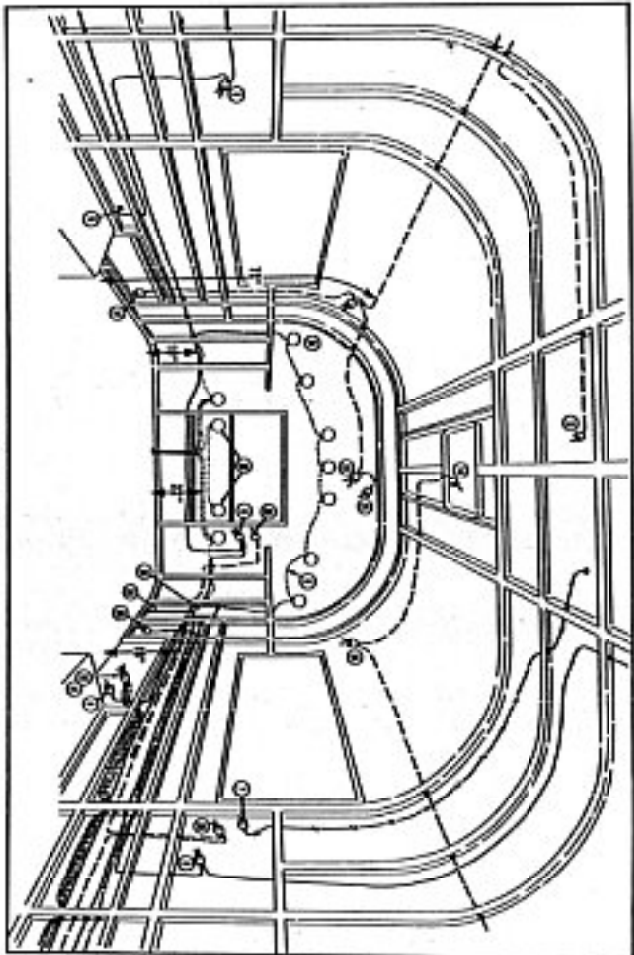
1972 AVION GRAVEL COACH  
 115 VOLT INTERIOR WIRING DIAGRAM  
 SERVICE BULLETIN E-24



AVION GRAVEL COACH



1972 AVION TRAILER WIRING ILLUSTRATION



23 PL. Rear View  
(Over Bed Hatch)

- 1. 110V. Over Light
- 2. 110V. Over Light
- 3. 110V. Over Light
- 4. 110V. Over Light
- 5. 110V. Over Light
- 6. 110V. Over Light
- 7. 110V. Over Light
- 8. 110V. Over Light

- 9. 110V. Over Light
- 10. 110V. Over Light
- 11. 110V. Over Light
- 12. 110V. Over Light
- 13. 110V. Over Light
- 14. 110V. Over Light
- 15. 110V. Over Light
- 16. 110V. Over Light

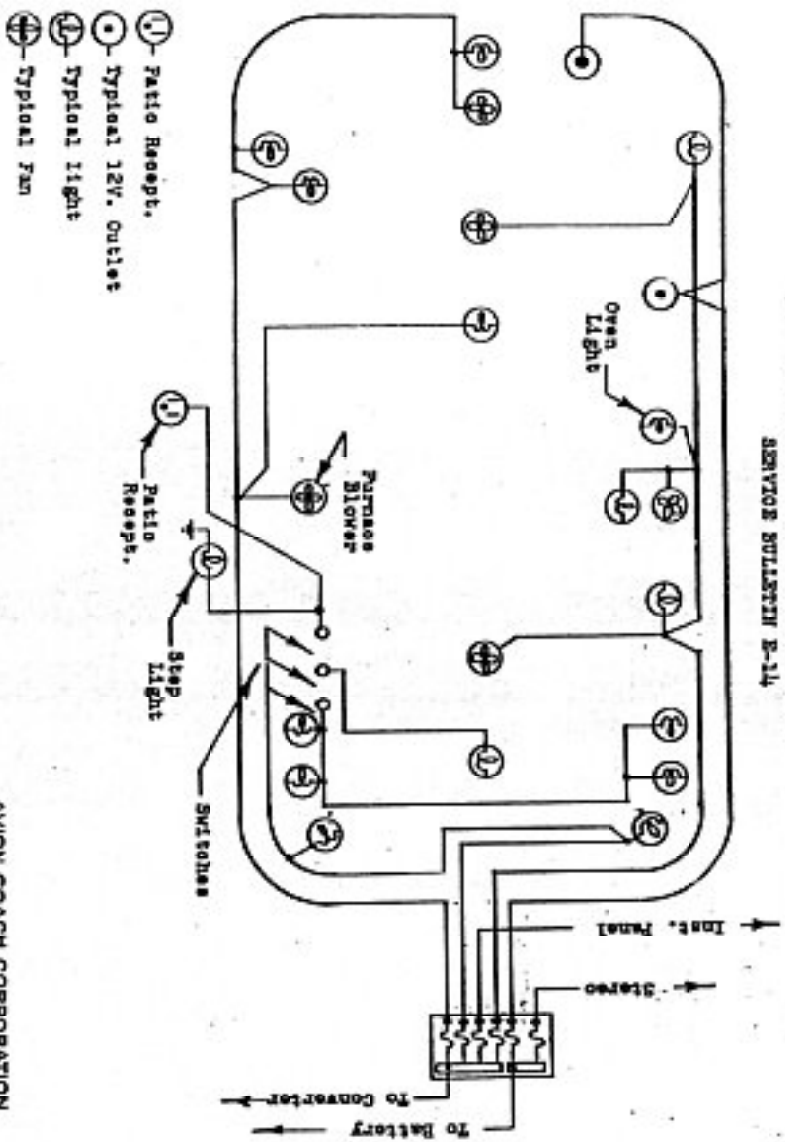
- 17. 110V. Over Light
- 18. 110V. Over Light
- 19. 110V. Over Light
- 20. 110V. Over Light
- 21. 110V. Over Light
- 22. 110V. Over Light
- 23. 110V. Over Light
- 24. 110V. Over Light

- 25. 110V. Over Light
- 26. 110V. Over Light
- 27. 110V. Over Light
- 28. 110V. Over Light
- 29. 110V. Over Light
- 30. 110V. Over Light
- 31. 110V. Over Light

- 110 Volt Wiring
- 12 Volt Wiring
- Control Wiring
- Exterior Light Wiring
- Ground Wire

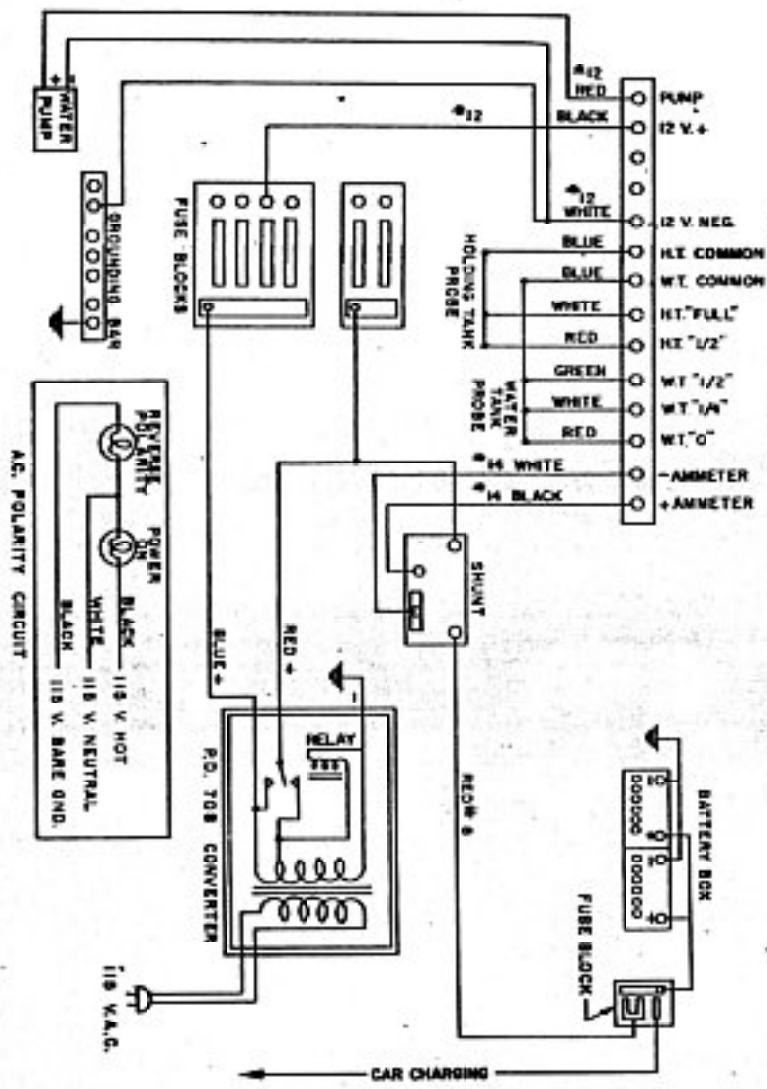
AVION COACH CORPORATION  
1200 East Empire Avenue

1912 AVION TRAVEL COACH  
 12 VOLT INTERIOR WIRING DIAGRAM  
 SERVICE BULLETIN B-14



AVION COACH CORPORATION

1971  
1972  
1970 AVION TRAVEL COACH, ULTRA AND CLASSIC SERIES  
INSTRUMENT SIGNAL CENTER



NOVEMBER 1969

AVION COACH CORP.  
1808 EAST TROPER STREET • PHOENIX, ARIZ. 85016