

Severance



See Page 42

NEW!

NEW!

Mini-Scraper

Triangular shaped scraper for removing burrs in many hand operations.

EDP#	Price	Tool Name
20300	\$15.00	MINI-SCRAPER™

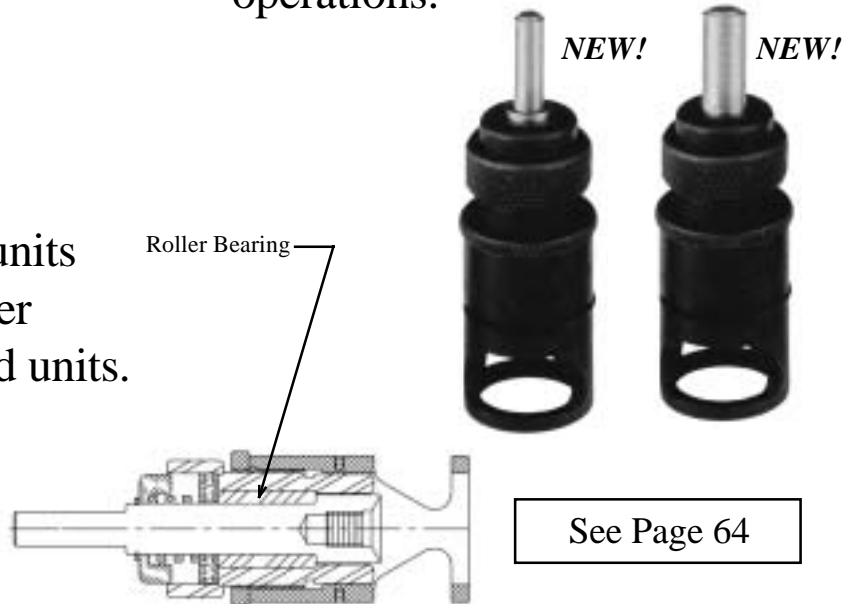
Available upon request

Roller Bearing Units

These new roller bearing units will allow you to use higher RPM's than many standard units.

EDP#	Price	Tool Name
21227	\$85.02	RSC-24 UNIT
21228	\$85.02	RSC-36 UNIT

Available upon request



NEW!

NEW!

See Page 64

IMPROVED! IMPROVED! IMPROVED!



CNC-K™ Precision Countersinks

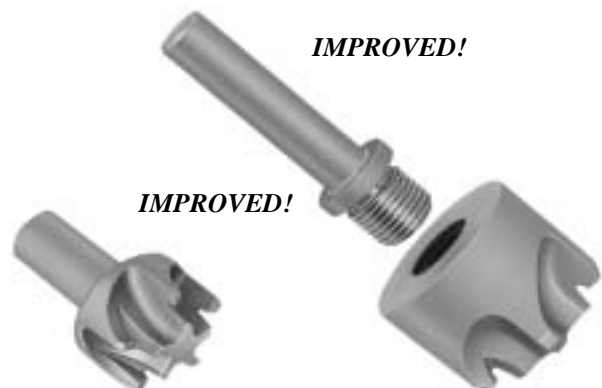
Our NCK™ precision countersinks have improved redesigned fluting. Now they are CNC-K's.

See Pages 53-54, & 87

Tube End Forming Cutters

Our tube end forming cutters have redesigned fluting to make them stronger.

See Pages 31-40



IMPROVED!

IMPROVED!