

Tri-Sport

PARTS LIST



RTS 8



Tri-Sport
PARTS LIST

SPAREMENTS
Odds Ends

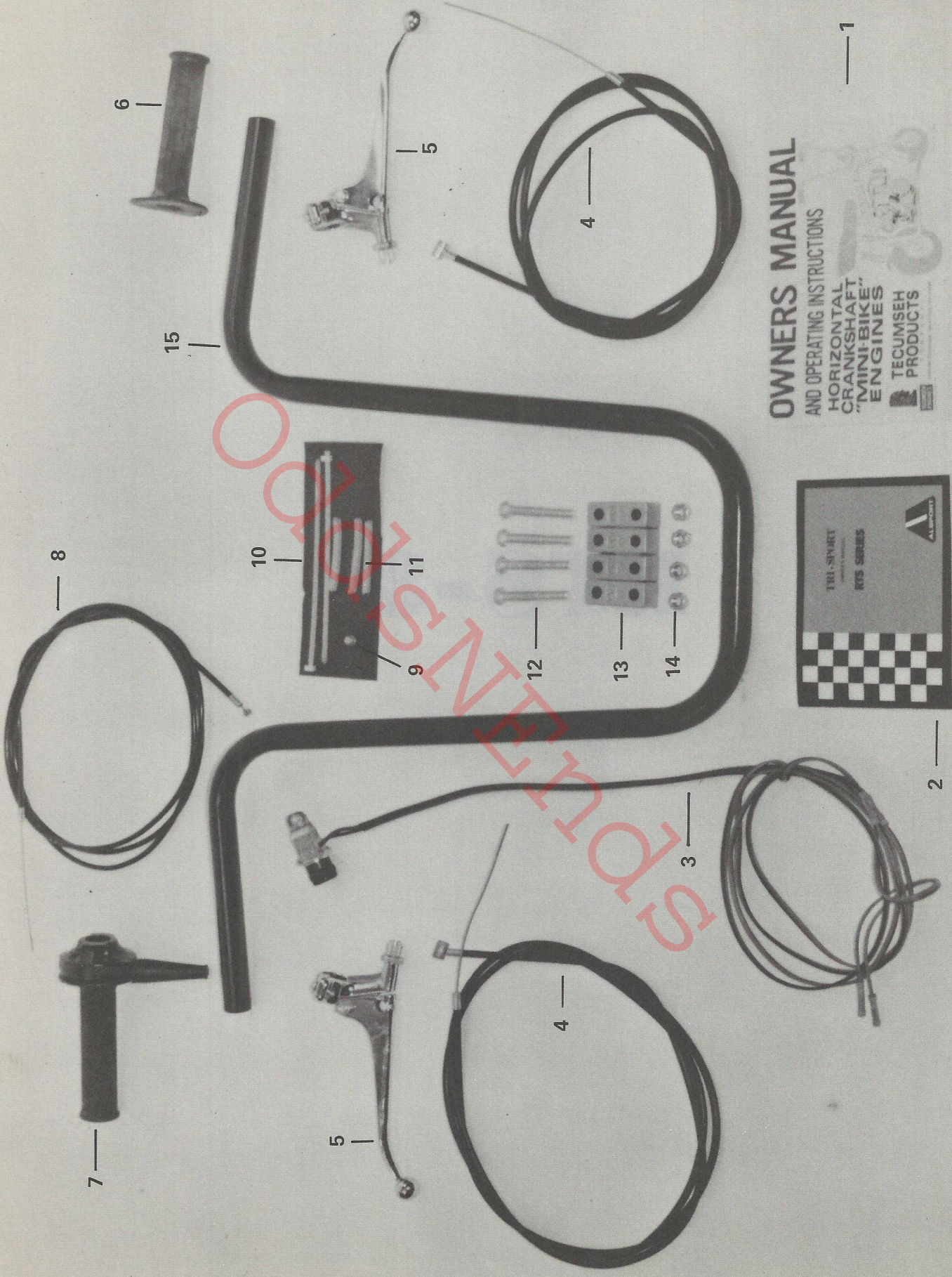


PARTS



RTS-8

Order In Ends



OWNERS MANUAL
 AND OPERATING INSTRUCTIONS
 HORIZONTAL
 CRANKSHAFT
 "MINI-BIKES"
 ENGINES
 TECUMSEH
 PRODUCTS



RTS-8 8 FIGURE 1

RTS-8

ITEM NO.	PART NUMBER	DESCRIPTION
1.	NPN	Tecumsech Engine Owners Manual
2.	759-198	RTS-Owners Manual
3.	725-206	Safety Wire Assembly
4.	746-134	Brake Cable 90" Long
5.	746-100	Brake Lever
6.	720-105	Dummy Grip
7.	720-107	Throttle Twist Grip
	720-101	Item 6 & 7
8.	746-102	Throttle Cable 99" Long
9.	746-103	Throttle Cable Stop
10.	749-102	Cable Ties 6-3/4" Long
11.	749-103	Spiral Wrap 2-1/2" Long
12.	710-105	Hex Hd. Bolt 5/16-24 x 2-1/4
13.	711-107	Handle Bar Mounts
14.	712-106	Hex Lock Nut 5/16-24
15.	720-111	Handle Bar (Blk.)

OddSNEEDS

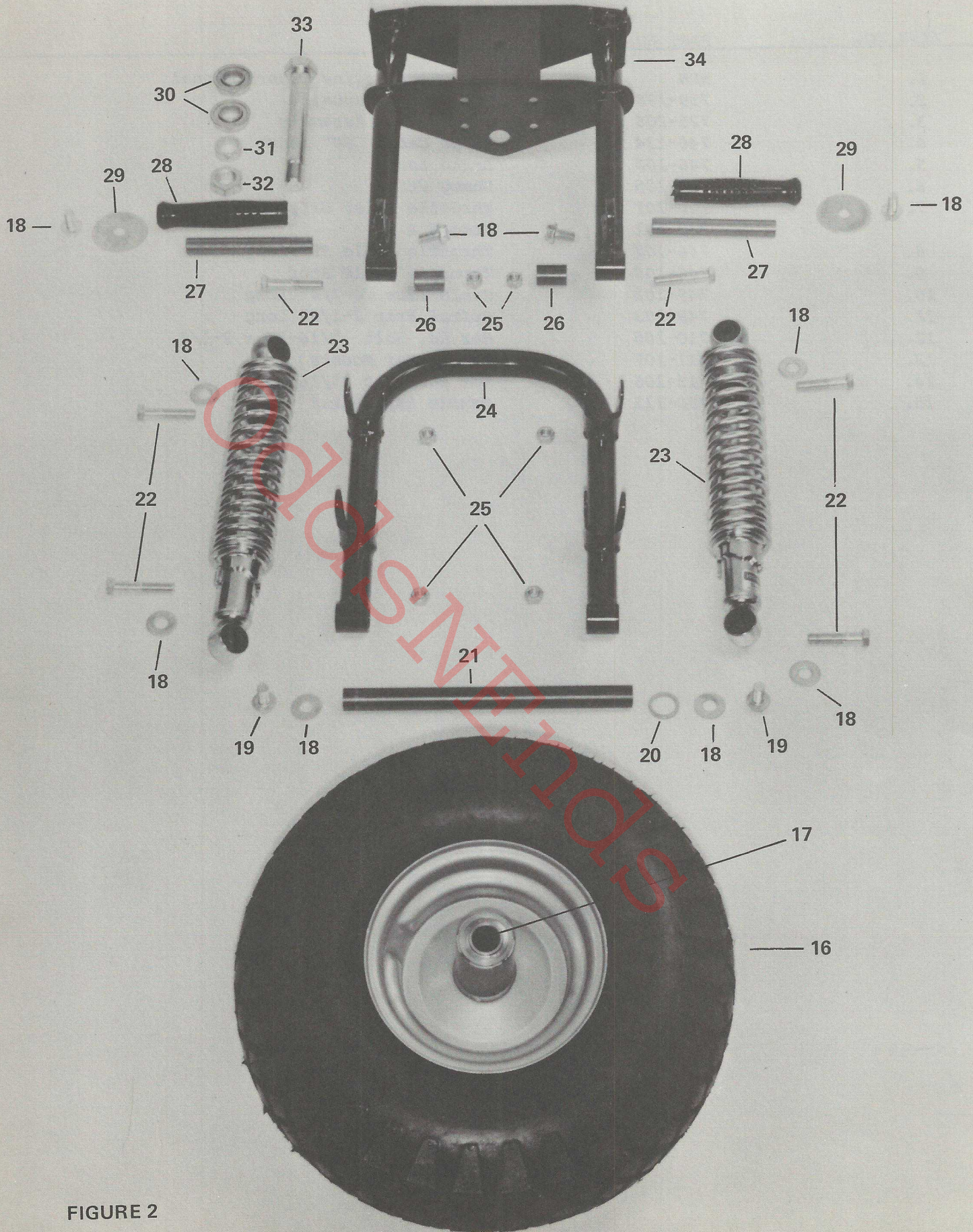


FIGURE 2

FIGURE #2

RTS-8

ITEM NO.	PART NUMBER	DESCRIPTION
16.	734-116	Fr't Tire & Wheel Assembly
17.	741-102	Fr't Wheel Bearing 3/4 I.D.
18.	736-102	Flat Washer 3/8 I.D.
19.	710-118	Whiz Lock Bolt 3/8-24 x 3/4
20.	750-104	Fr't Wheel Spacer 3/4 I.D. x 1/8 Wide
21.	711-103	Front Axle 3/4 Dia. x 9"
22.	710-116	Hex Hd. Bolt 3/8-24 x 1-3/4
23.	749-114	Front Shocks #100-8002-000
24.	733-197	Leading Link
25.	712-135	Hex Lock Nut 3/8-24
26.	750-107	Bolt Bushing 3/4 O.D. x 1-1/16
27.	711-101	Foot Rest Mounting Bar 3/4 Dia. x 4-1/2
28.	720-102	Foot Rest Grip
29.	736-106	Flat Washer 2" O.D. x 3/8 I.D.
30.	741-106	Front Fork Bearing 3/4 I.D.
31.	750-109	King Pin Spacer 3/4 I.D. x 3/8 Wide
32.	712-105	King Pin Nut 3/4-10
33.	710-100	King Pin 3/4-10 x 5-5/8
34.	733-235	Front Fork

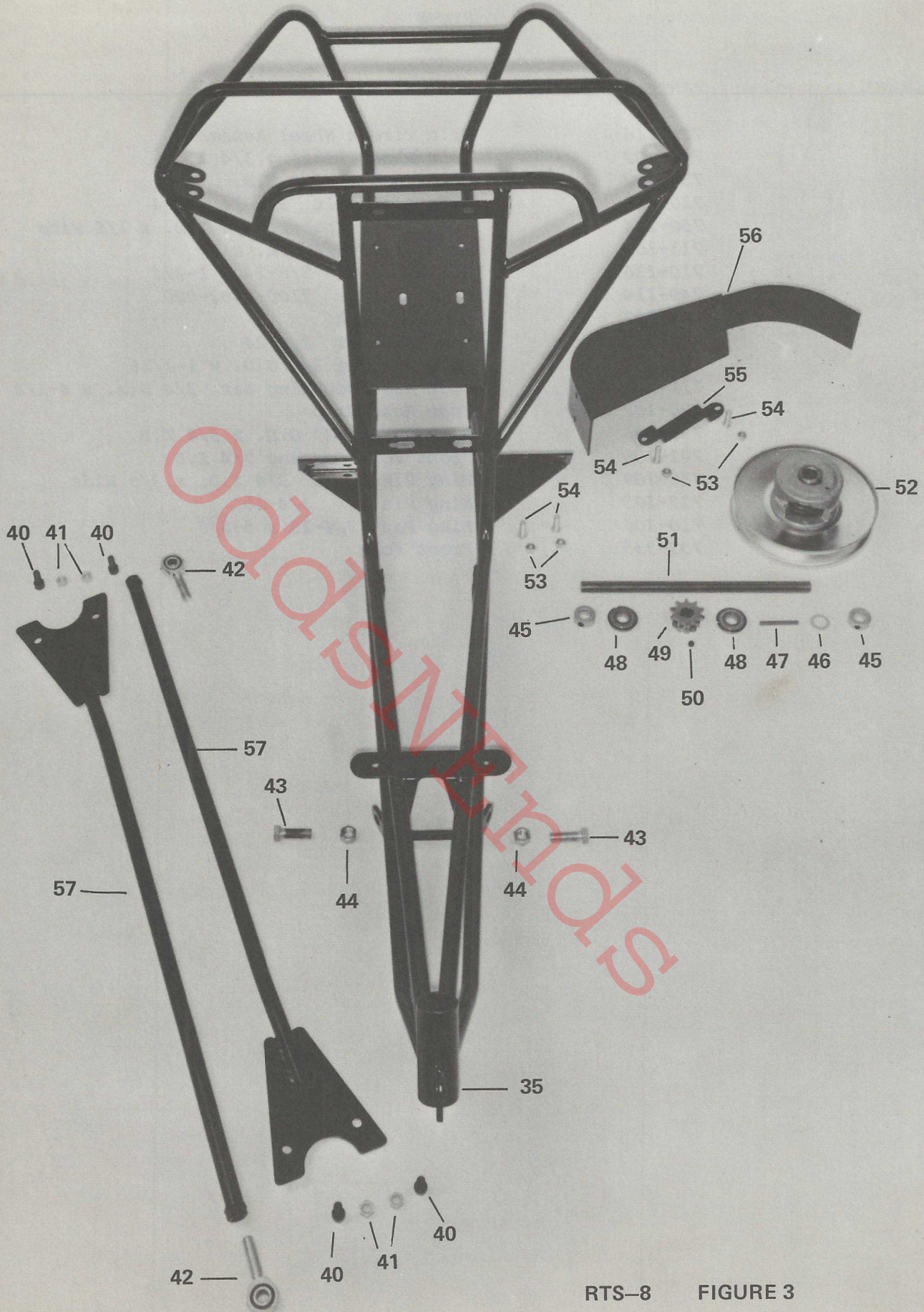
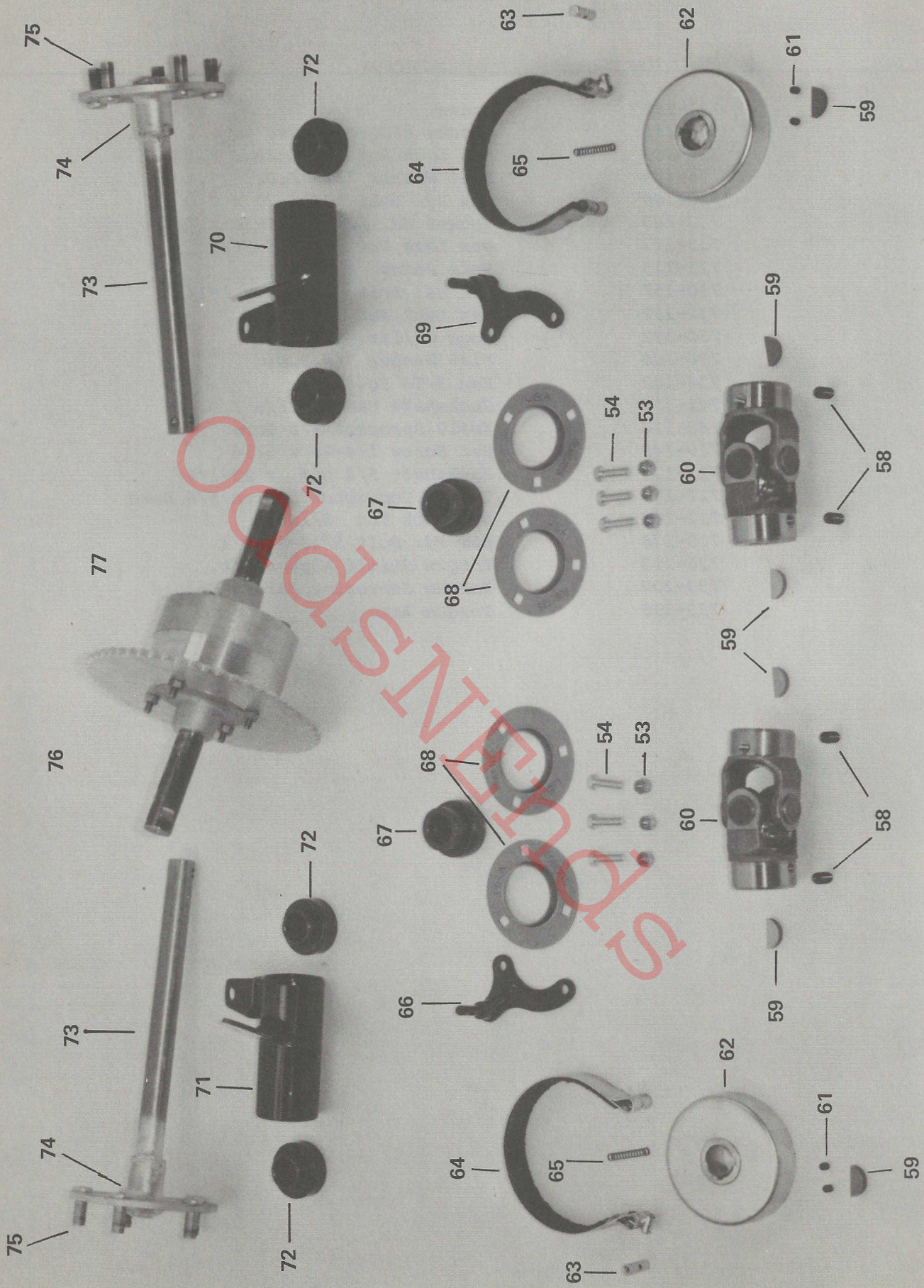


FIGURE #3

RTS-8

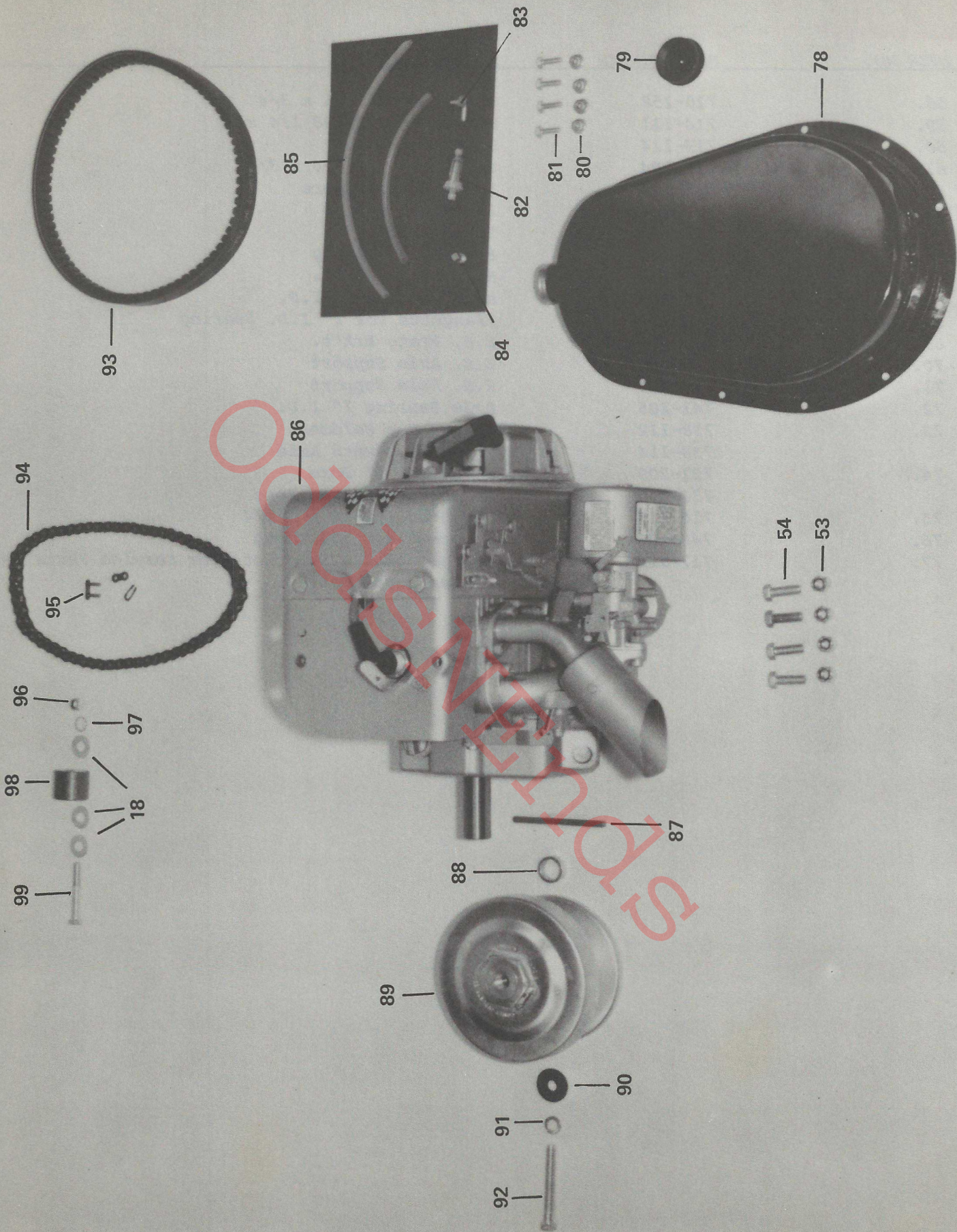
ITEM NO.	PART NUMBER	DESCRIPTION
35.	733-195	Frame
36.	749-115	Shocks #500-8002-000
37.	712-123	Hex Lock Nut 7/16-20
38.	736-149	Flat Washer 7/16 I.D.
39.	710-160	Hex Hd. Bolt 7/16-20 x 2
40.	710-163	Socket Hd. Bolt 3/8-16 x 7/8
41.	712-121	Hex Lock Nut 3/8-16
42.	711-115	Heim Joint 1/2-20
43.	710-157	Hex Hd. Bolt 1/2-20 x 1-1/2
44.	712-132	Hex Lock Nut 1/2 x 20
45.	750-122	Lock Collar 5/8 I.D.
46.	736-100	Flat Washer 5/8 I.D.
47.	714-102	Key 3/16 Sq. x 2
48.	741-100	Jackshaft Bearing 5/8 I.D.
49.	748-124	40B10 Sprocket 5/8 Bore
50.	710-148	Set Screw 1/4-20 x 5/16
51.	711-123	Jackshaft 5/8 Dia. x 12-1/8
52.	717-129	Torque Converter Driven 5/8 Bore
53.	712-102	Hex Lock Nut 5/16-24
54.	710-128	Hex Hd. Bolt 5/16-24 x 1
55.	726-193	Torque Shield Mtg. Brk't.
56.	733-202	Torque Converter Safety Shield
57.	733-198	Torque Arms



RTS-8 FIGURE 4

RTS-8

ITEM NO.	PART NUMBER	DESCRIPTION
58.	710-158	Set Screw 3/8-16 x 3/4
59.	714-111	Woodruff Key #808 1/4 x 1
60.	717-114	Universal Joint
61.	710-204	Set Screw 5/16-24 x 3/4
62.	757-105	Brake Drum 1" Bore
63.	757-104	Brake Cable Stop
64.	757-100	Brake Band
65.	732-100	Brake Band Spring
66.	733-199	R.H. Brake Brk't.
67.	741-103	Axle Bearing 1" I.D.
68.	749-116	Flangetts for 1" I.D. Bearing
69.	733-194	L.H. Brake Brk't.
70.	733-201	L.H. Axle Support
71.	733-200	R.H. Axle Support
72.	741-105	Axle Bearing 1" I.D.
73.	738-112	Axle & Hub Weldment
	738-114	Tapered Outward Axle
74.	732-209	Wheel Hub 1" Bore
	733-140	Wheel Hub Tapered Bore
75.	710-117	Lug Stud 1/2-20 x 1-1/4
76.	748-120	Sprocket #40 54 Tooth
77.	717-123	Differential w/Sprocket (For Service Parts See Holtan Supplement)

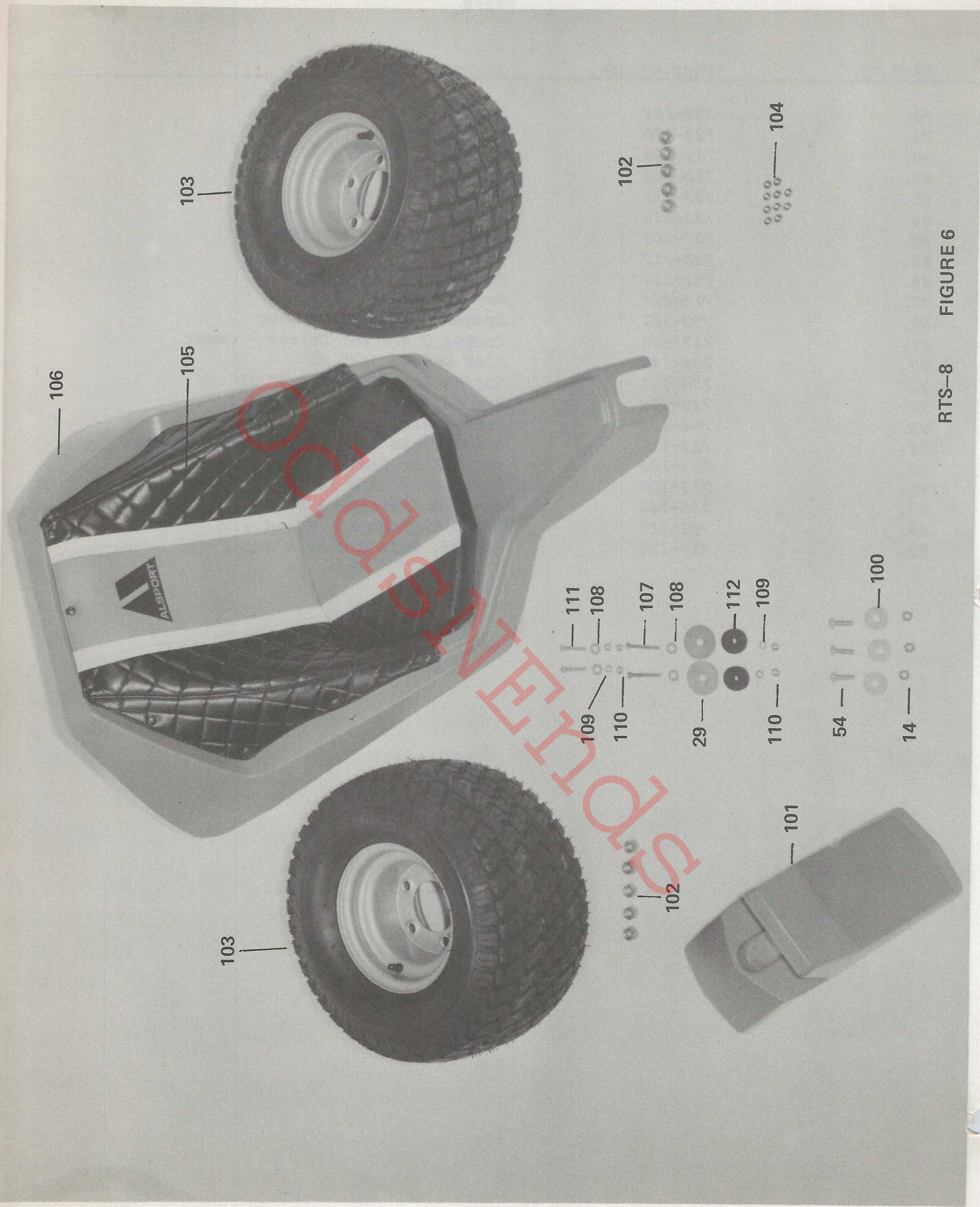


RTS-8 FIGURE 5

FIGURE #5

RTS-8

ITEM NO.	PART NUMBER	DESCRIPTION
78.	723-154	Fuel Tank W/Cap
79.	723-160	Fuel Tank Cap
80.	712-128	Whiz Lock Nut 1/4-20
81.	710-168	Hex Hd. Bolt 1/4-20 x 3/4
82.	723-111	In-Line Fuel Filter
83.	723-110	90 degree fitting
84.	737-102	Fuel Tank Plug 1/8" NPT
85.	723-112	Fuel Line
86.	752-114	8 HP Tecumseh Engine
87.	714-108	Key 1/4 sq. x 3-3/4"
88.	750-121	Spacer 1" ID x 5/8" Long
89.	717-128	Torque Convertor Driver - Comet
90.	736-148	Flat Washer 3/8" ID
91.	736-101	Spring Lock Washer 3/8" ID
92.	710-178	Hex Hd. Bolt 3/8-24 x 3-1/2
93.	754-103	Drive Belt
94.	713-112	Drive Chain #40 x 63 Pitches w/master
95.	713-100	#40 Master Link
96.	712-100	Hex Locknut 3/8-24
97.	736-146	Star Lock Washer 3/8" ID
98.	751-117	Chain Tightener - Nylon
99.	710-126	Hex Hd. Bolt 3/8-24 x 2-1/2



103

106

105

103

102

104

111

108

107

108

112

109

109

110

29

110

54

100

14

101

RTS-8 FIGURE 6

RTS-8

ITEM NO.	PART NUMBER	DESCRIPTION
100.	736-139	Flat Washer 3/8 I.D.
101.	751-138	Front Fender
102.	712-104	Lug Nut 1/2-20
103.	734-118	Rear Tire & Wheel Assembly
104.	749-113	Male Seat Snaps
105.	723-171	Deluxe Seat Pad
106.	751-140	Fiberglass Body
107.	710-133	Hex Hd. Bolt 1/4-20 x 2
108.	736-104	Flat Washer 5/16 I.D.
109	736-103	Spring Lock Washer 1/4 I.D.
110.	712-101	Hex Nut 1/4-20
111.	710-103	Carriage Hd. Bolt 1/4-20 x 2
112.	735-100	Rubber Grommet

OddsNEnds

737-100	Rubber Grommet	112
737-101	Carrier Hd. Bolt 1/4-20 x 3	113
737-102	Hex Nut 1/4-20	114
737-103	Spring Lock Washer 1/4-20	115
737-104	Flat Washer 5/16 I.D.	116
737-105	Hex Hd. Bolt 1/4-20 x 3	117
737-106	Flangeless Body	118
737-107	Believe Gear Pin	119
737-108	Self Seal Grommet	120
737-109	Heat Vise & Manual Assembly	121
737-110	Hex Nut 5/16-18	122
737-111	Front Cover	123
737-112	Flat Washer 1/2 I.D.	124

Odd's N' Ends