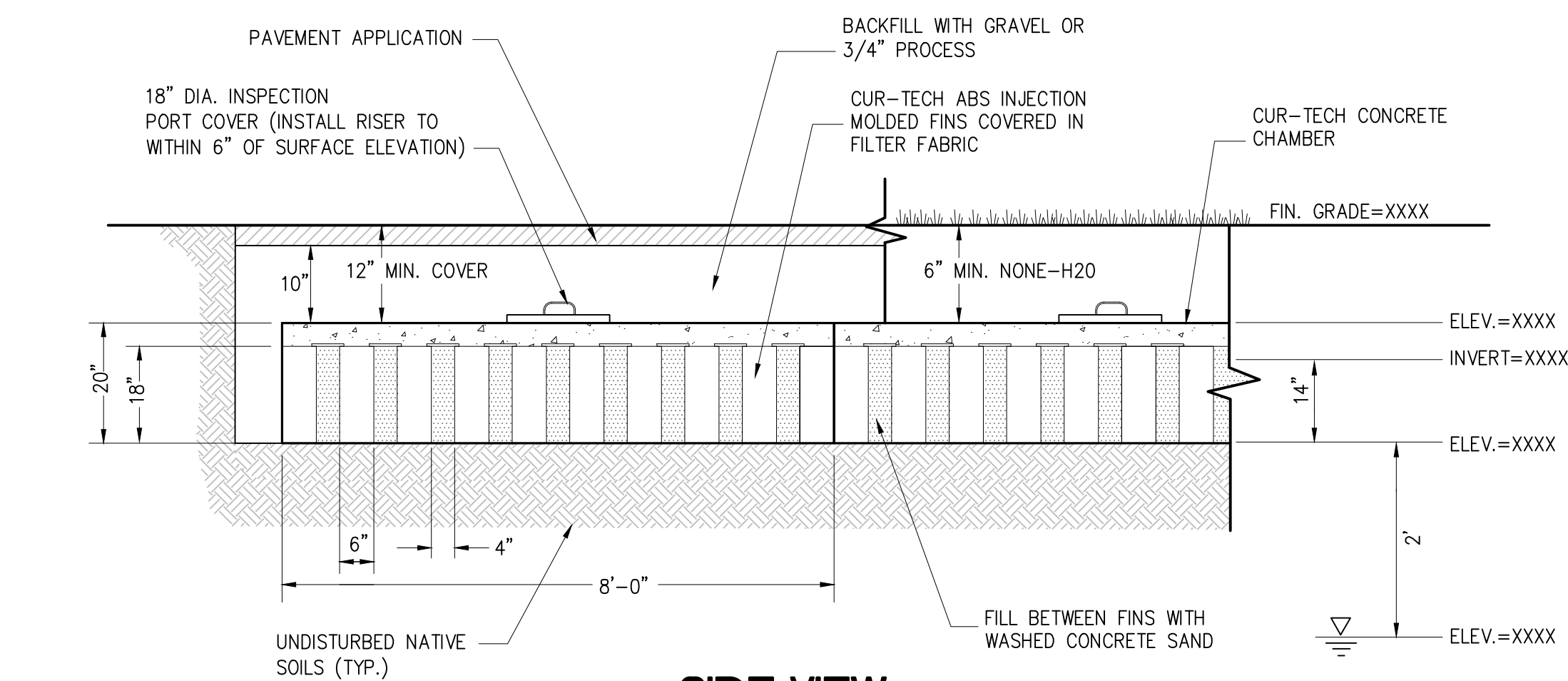
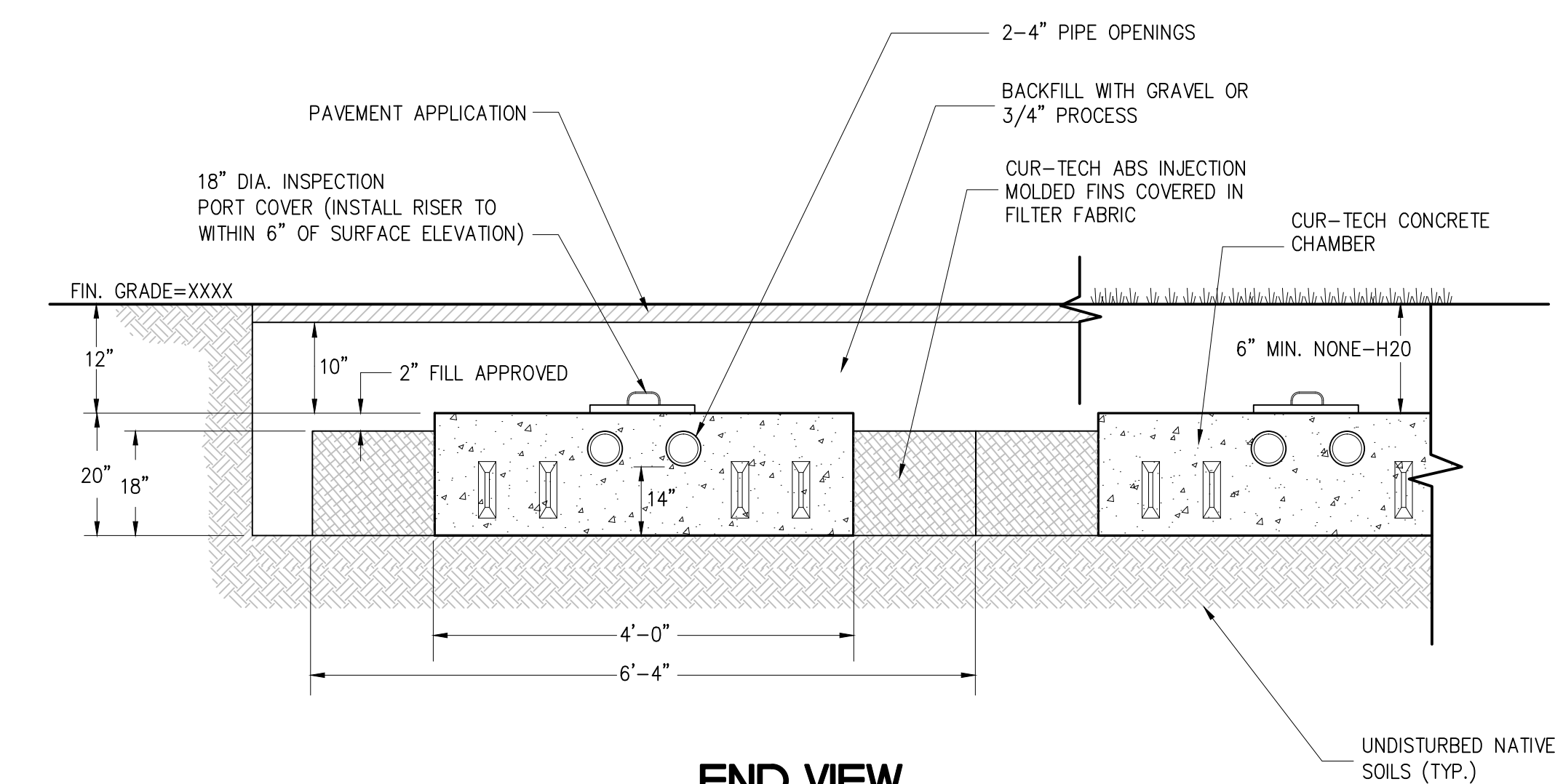


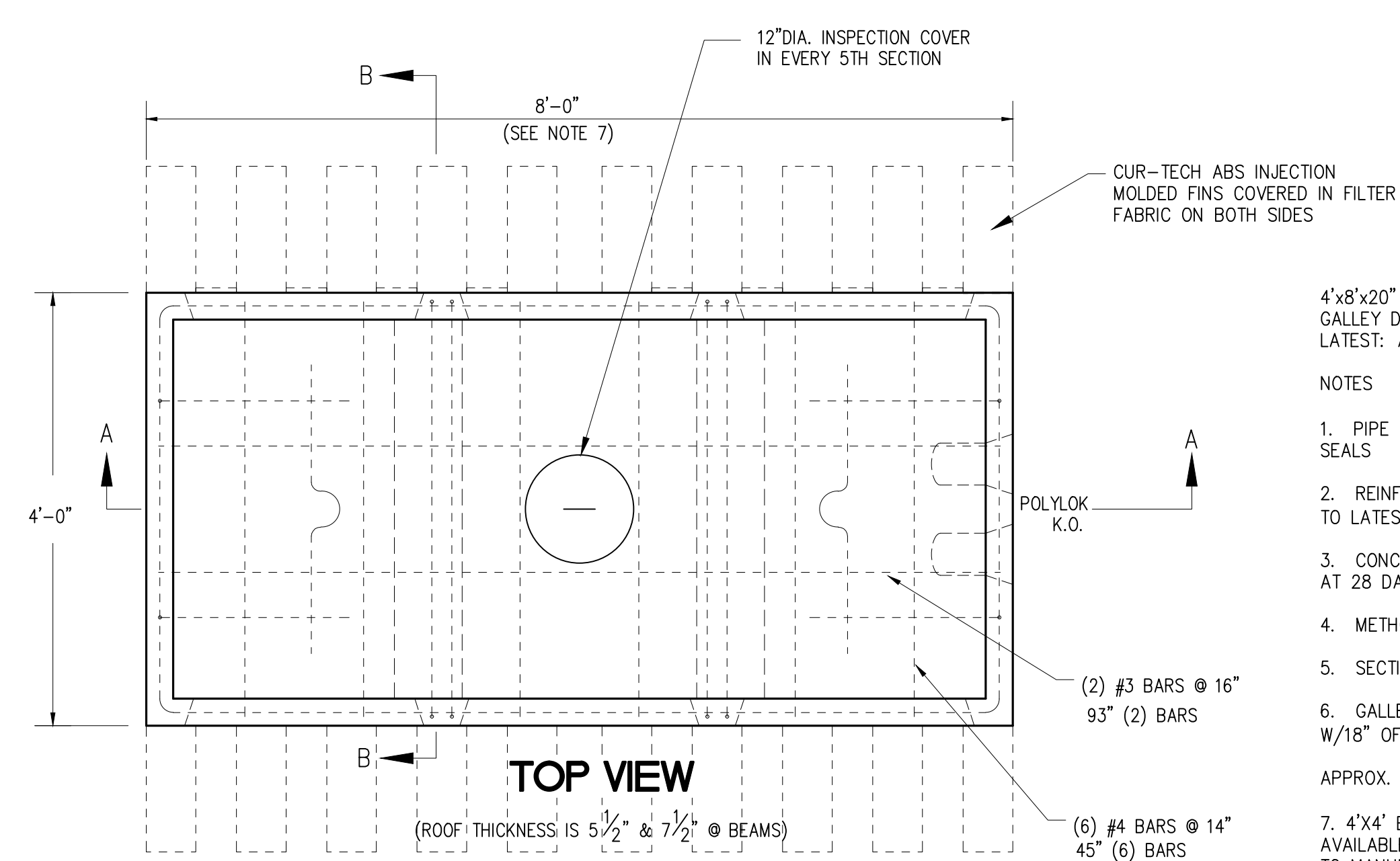
PLAN VIEW
NOT TO SCALE



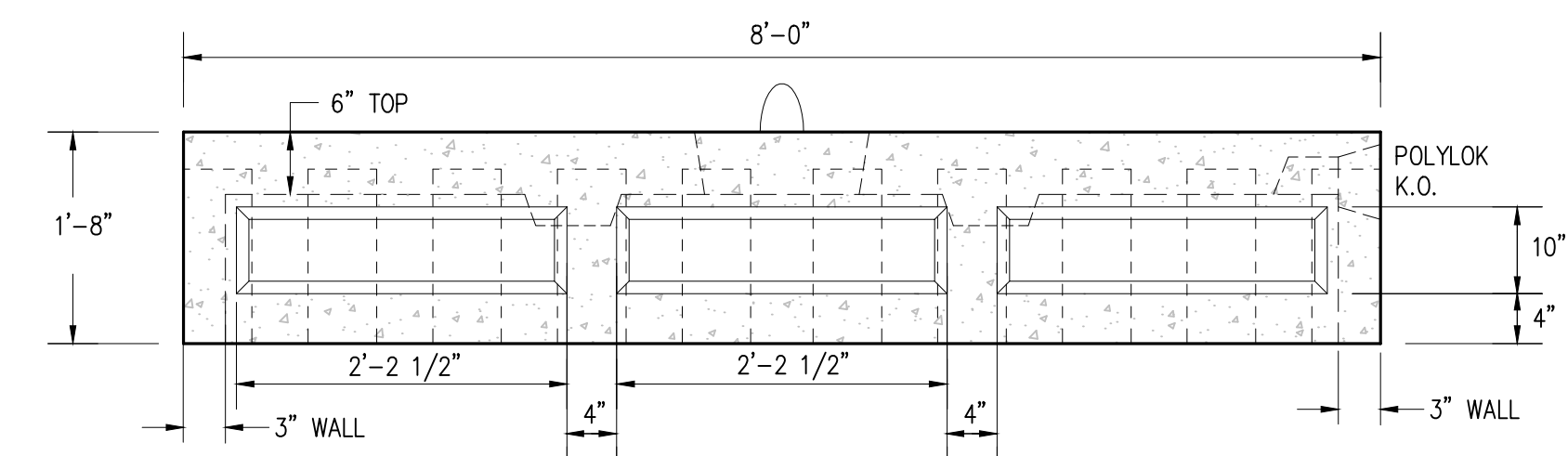
SIDE VIEW
NOT TO SCALE



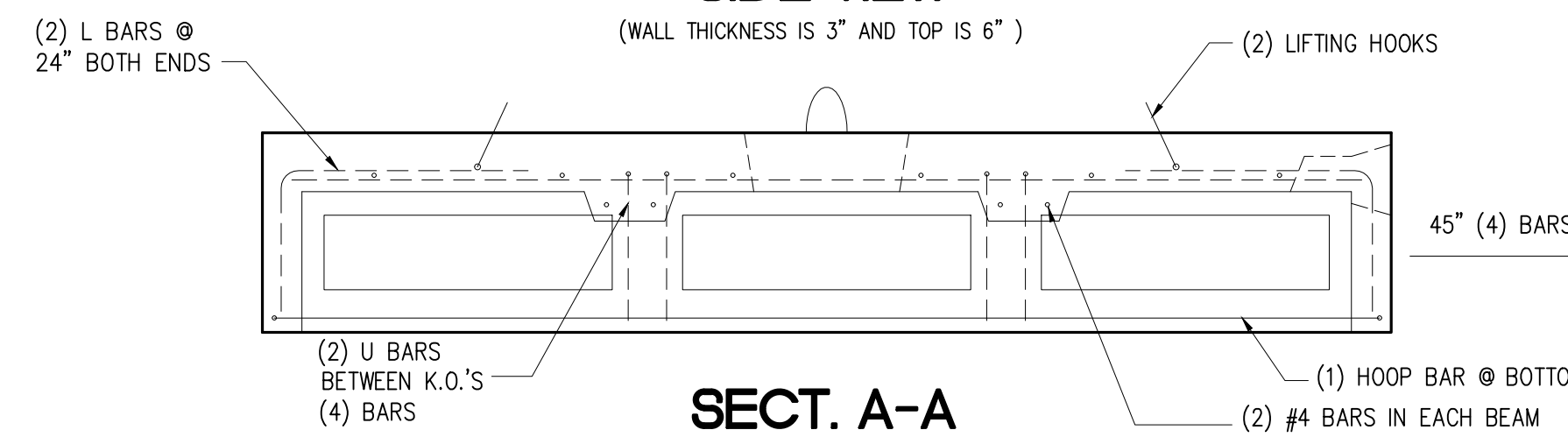
END VIEW
NOT TO SCALE



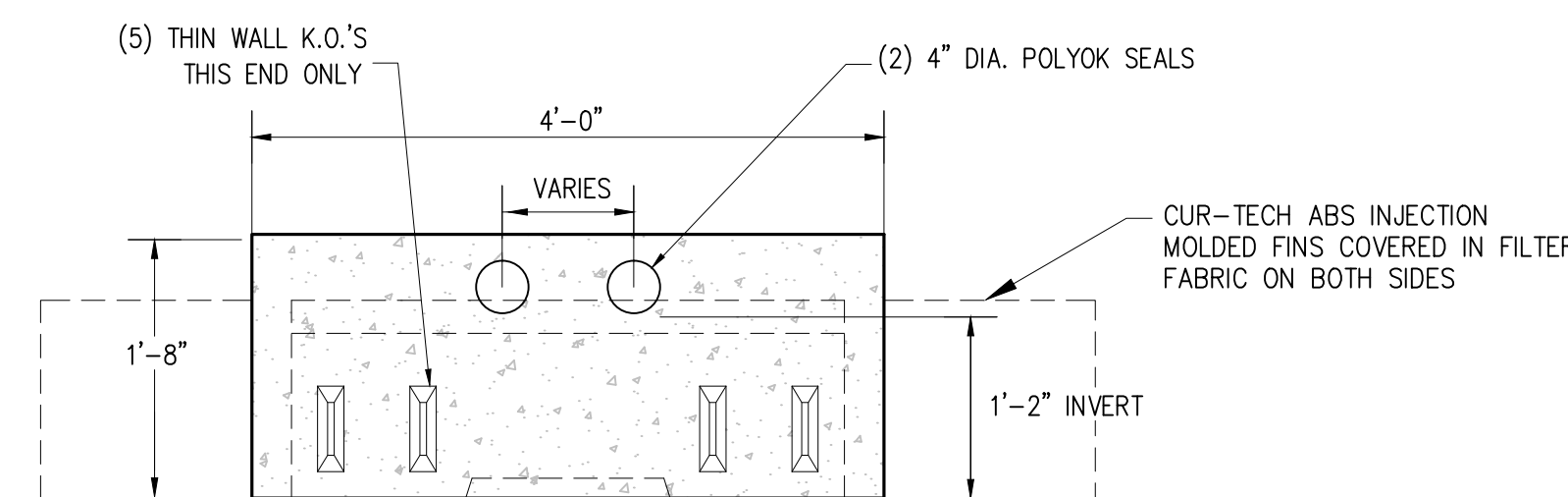
TOP VIEW
(ROOF THICKNESS IS 5 1/2" & 7 1/2" @ BEAMS)



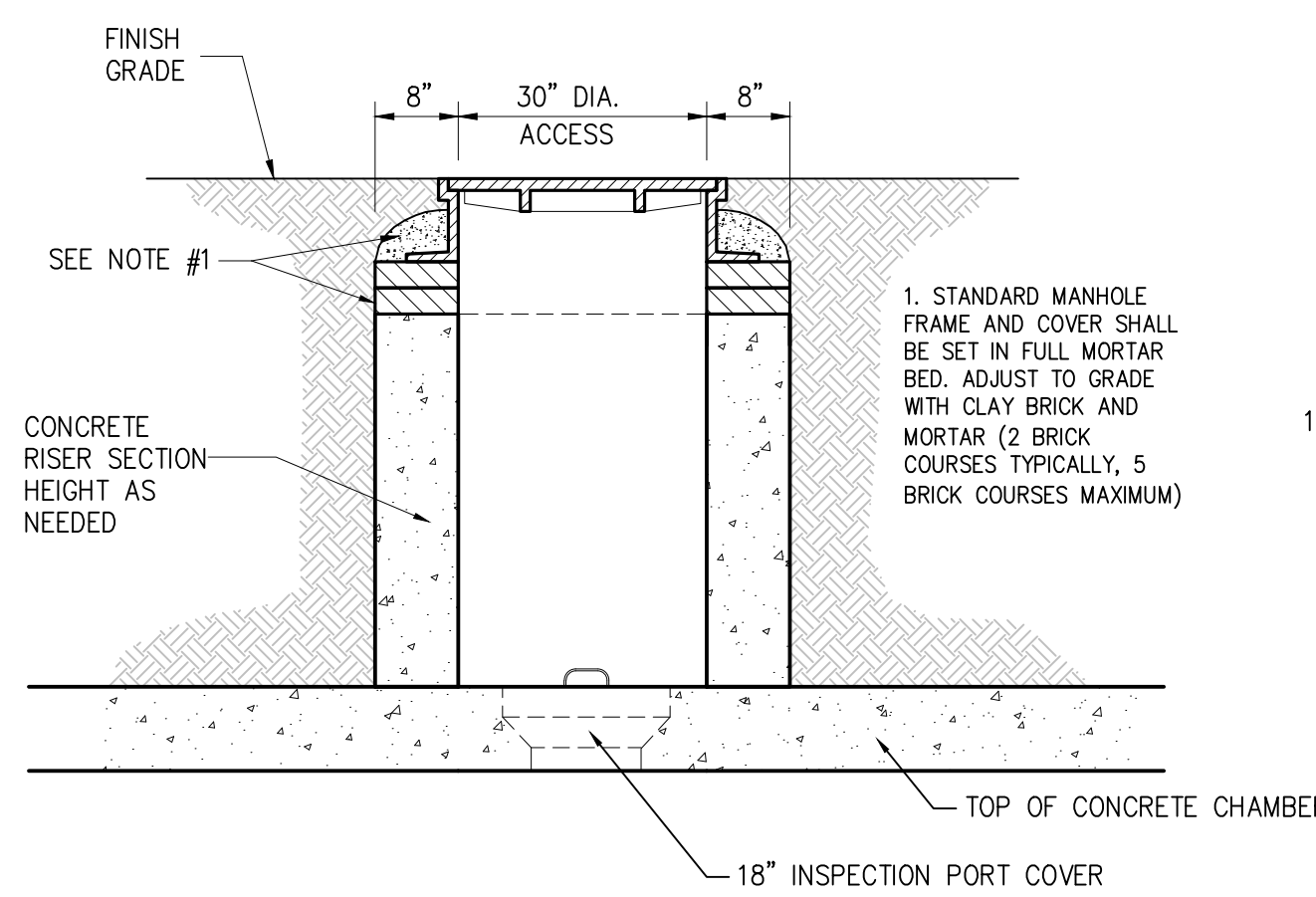
SIDE VIEW
(WALL THICKNESS IS 3" AND TOP IS 6")



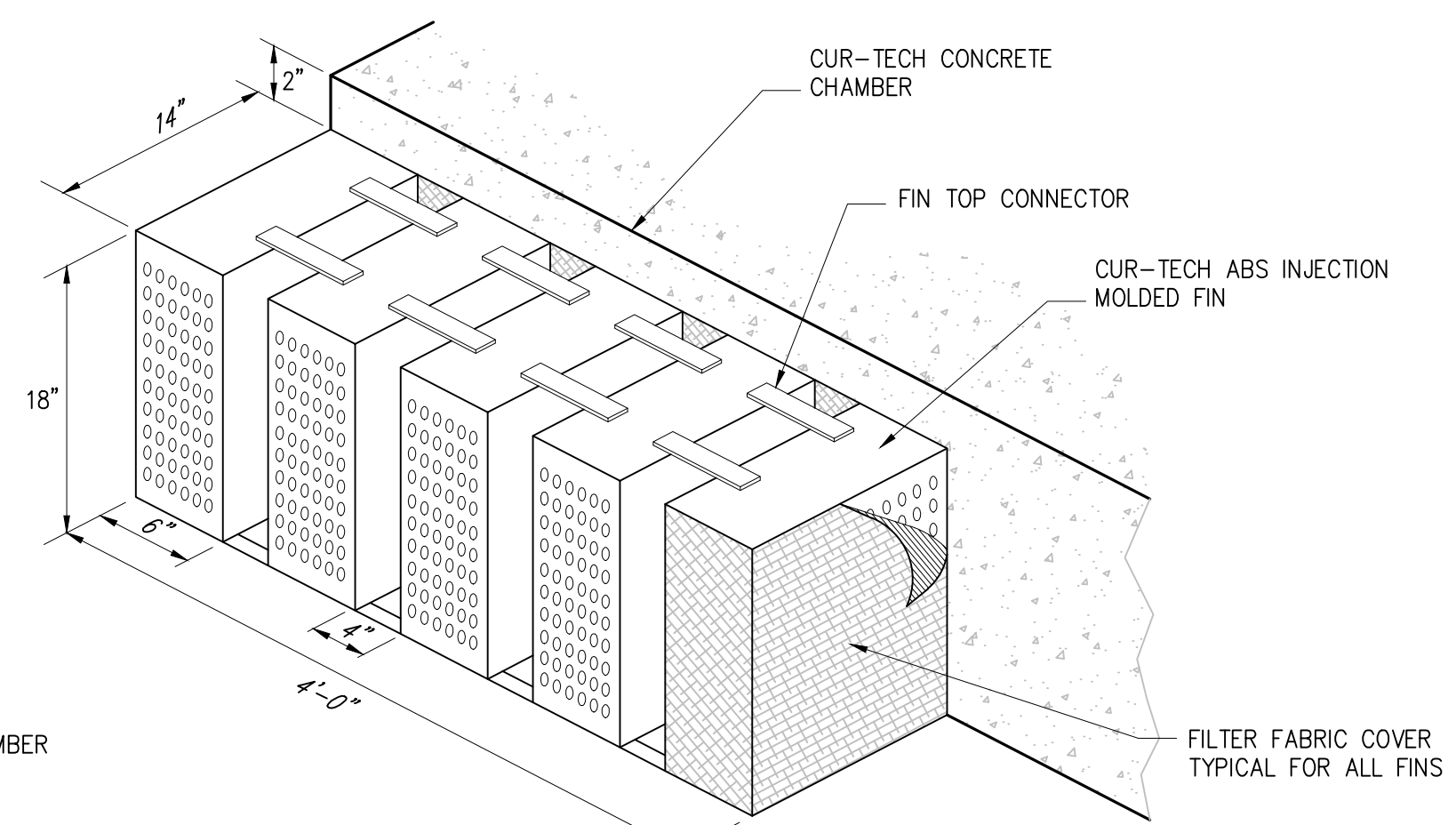
SECT. A-A



END VIEW (INLET)
(WALL THICKNESS IS 3" AND TOP IS 6")



RISER SECTION
NOT TO SCALE

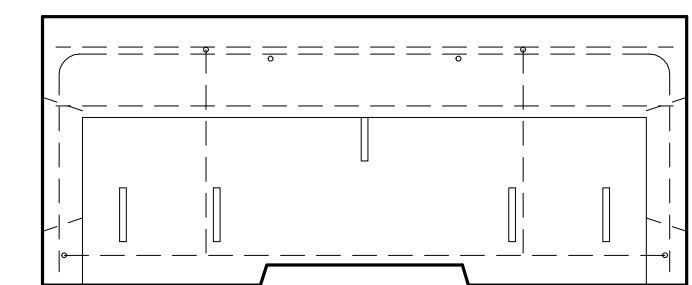
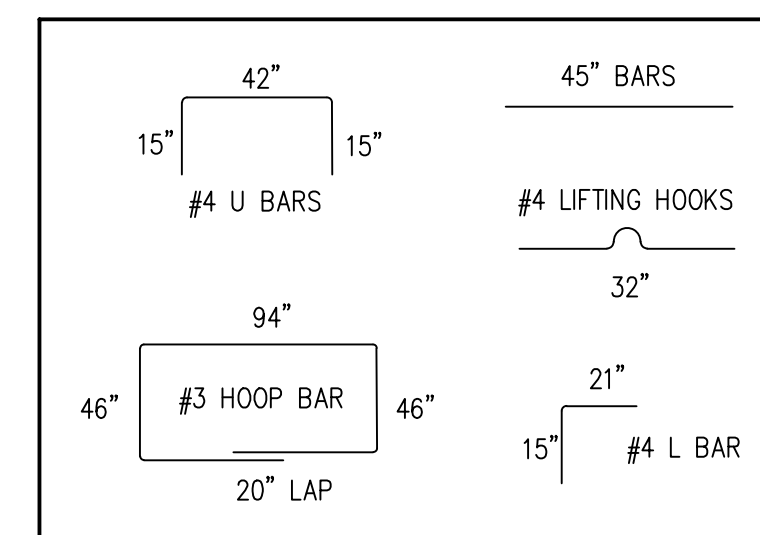


ABS INJECTION MOLDED FIN DETAIL
NOT TO SCALE

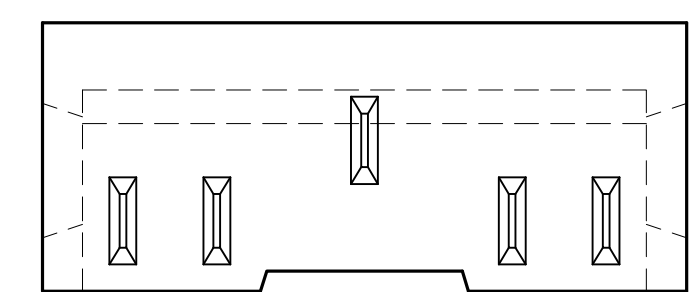
4'x8'x20" HS-20 CUR-TECH LEACHING GALLEY DESIGN SPECIFICATIONS CONFORMS TO LATEST: ASTM DESIGNATION C913 :

NOTES

- PIPE INLET FOR 4" DIAMETER POLYLOK II PIPE SEALS
- REINFORCING STEEL DEFORMED BARS CONFORM TO LATEST ASTM A615/A706, GRADE 60.
- CONCRETE COMPRESSIVE STRENGTH— 5,000 PSI AT 28 DAYS SELF COMPACTING CONCRETE MIX.
- METHOD OF MANUFACTURE: WET CAST.
- SECTION IS MONOLITHIC.
- GALLEY IS DESIGNED FOR HS-20 LOADING W/18" OF SOIL COVER.
- APPROX. WEIGHT: 2,900 LBS
- 4'x4' END CAP CHAMBER SECTIONS ARE AVAILABLE FOR SPECIFIC DESIGN LENGTHS, REFER TO MANUFACTURER FOR DETAILS.



SECT. B-B



END VIEW
(WALL THICKNESS IS 3" AND TOP IS 6")

CUR-TECH CTL CHAMBER PRODUCT SPECIFICATION

GENERAL
CUR-TECH CTL 18 CHAMBERS ARE DESIGNED AS AN ALTERNATIVE SOIL ABSORPTION SYSTEM

CHAMBER PARAMETERS

- THE CHAMBERS DIMENSIONS OF THE CUR-TECH CTL 18 SHALL BE 20 INCHES TALL, 48 INCHES WIDE AND 8 FEET LONG. THESE ARE THE DIMENSIONS WITHOUT THE INJECTION MOLD FIN.
- THE CHAMBERS DIMENSIONS OF THE CUR-TECH CTL 18 WITH INJECTION MOLD FIN SHALL BE 20 INCHES TALL, 76 INCHES WIDE AND 8 FEET LONG.
- THE DIMENSIONS OF THE INJECTION MOLD FIN FOR THE CTL 18 CHAMBERS SHALL BE 18 INCHES TALL, 14 INCHES LONG AND 6 INCHES WIDE.
- THE INJECTION MOLD FIN ARE TO BE ATTACHED TO THE CTL 18 CHAMBERS BEFORE SYSTEM IS TO BE BACK FILLED.
- THE INVERT TO THE CUR-TECH CTL 18 CHAMBERS ARE 14 INCHES TO THE BOTTOM OF THE PIPE.
- EACH CUR-TECH CTL 18 WILL HAVE AN 18 INCH INSPECTION PORT IN THE CENTER OF THE CHAMBERS.
- EACH ROW OF CUR-TECH CTL CHAMBERS WILL HAVE A MAXIMUM LENGTH OF 100 FT.

CUR-TECH CTL CHAMBER PRODUCT INSTALLATION SPECIFICATION

TRENCH INSTALLATION PARAMETERS

- LENGTH (EACH TRENCH) 100 FEET MAXIMUM (310 CMR 15.251(1)(a)).
- ONE ROW OF CTL CHAMBER SYSTEM WHEN CALCULATED BY BOTTOM AREA ONLY THE DESIGN CALCULATIONS ARE 10.57 SQ FT PER LINEAR FOOT IF SEPARATE SINGLE ROWS ARE INSTALLED AT THE SAME ELEVATIONS THE SEPARATION BETWEEN ROWS IS 10 FEET.
- THE MINIMUM SEPARATION DISTANCE BETWEEN ANY TWO TRENCHES SHALL BE TWO TIMES THE EFFECTIVE WIDTH OR DEPTH OF EACH TRENCH, WHICHEVER IS GREATER, OR WHERE THE AREA BETWEEN TRENCHES IS DESIGNATED AS RESERVE AREA, THREE TIMES THE EFFECTIVE WIDTH OR DEPTH OF EACH TRENCH, WHICHEVER IS GREATER (310 CMR 15.251(1)(d)).
- THE EFFECTIVE LEACHING AREA SHALL BE CALCULATED USING THE BOTTOM AREA AND A MAXIMUM OF TWO FEET (PER SIDE) OF SIDE WALL AREA FOR EACH TRENCH (310 CMR 15.251(1)(e)).
- TRENCHES SHALL BE SITUATED, WHERE POSSIBLE, WITH THEIR LONG DIMENSION PERPENDICULAR TO THE SLOPE OF THE NATURAL SOIL. WHERE POSSIBLE THEY SHALL FOLLOW THE CONTOUR LINES (310 CMR 15.251(2)).
- TRENCHES CONSTRUCTED AT DIFFERENT ELEVATIONS SHALL BE DESIGNED TO PREVENT EFFLUENT FROM THE HIGHER TRENCH(ES) FLOWING INTO THE LOWER TRENCH(ES) (310 CMR 15.251(3)).
- THE AREA BETWEEN TRENCHES MAY BE DESIGNATED AS SYSTEM RESERVE AREA ONLY WHERE THE SEPARATION DISTANCE BETWEEN THE EXCAVATION SIDEWALLS OF THE PRIMARY TRENCHES IS AT LEAST THREE TIMES THE EFFECTIVE WIDTH OR DEPTH OF EACH TRENCH, WHICHEVER IS GREATER (310 CMR 15.251(4)) - CUR-TECH, SHALL BE SEPARATED BY THREE TIMES THE ACTUAL WIDTH AND ARE SUBJECT TO OTHER SPECIAL CONDITIONS AND LIMITATIONS
- EFFLUENT DISTRIBUTION LINES EXCEEDING WIDTH 50 FEET IN LENGTH SHALL BE CONNECTED AND VENTING PROVIDED IN ACCORDANCE WITH 310 CMR 15.241 (310.CMR 251(11)).

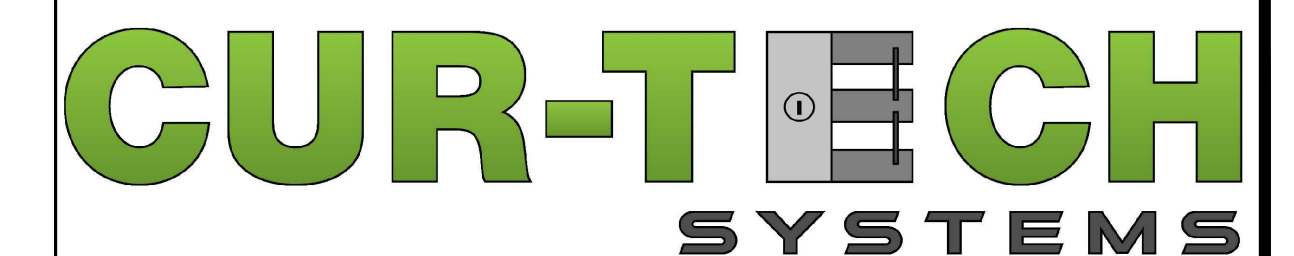
CUR-TECH CTL CHAMBER PRODUCT INSTALLATION SPECIFICATION

BED INSTALLATION PARAMETERS

- CUR-TECH SYSTEMS ARE EXEMPT FROM ANY DISTRIBUTION PIPING ON SYSTEMS UP TO 5,000 GPD.
- THE USE OF LEACHING BED OR FIELDS IS RESTRICTED TO SYSTEMS WITH A CALCULATED DESIGN FLOW OF LESS THAN 5,000 GPD PER LEACHING BED OF FIELD (310 CMR 15.252(1)).
- THE MAXIMUM LENGTH OF CHAMBERS IN SERIES SHALL BE 100 FEET (310 CMR 15.252(2)(B)).
- SEPARATION DISTANCE BETWEEN ADJACENT BEDS/FIELDS SHALL BE TEN FEET (310 CMR 15.252(2)(F)).
- THE EFFECTIVE LEACHING AREA SHALL INCLUDED ONLY THE BOTTOM AREA, NOT THE SIDEWALLS (310 CMR 15.252(2)(I)).
- FOR SYSTEMS CONSTRUCTED IN FILL AND INSTALLED, THE SYSTEM SHALL BE INSTALLED AS SPECIFIED IN 310 CMR 15.255 CONSTRUCTION IN FILL, EXCEPT THE MINIMUM 15 FOOT HORIZONTAL SEPARATION DISTANCE TO BE PROVIDED BETWEEN THE SOIL ABSORPTION AREA AND THE ADJACENT SIDE SLOPE SHALL BE MEASURED HORIZONTALLY FROM THE TOP OF THE CHAMBER.
- THE SYSTEM IS EXEMPT FROM 310 CMR 15.287, SPECIFICALLY ITEMS: (5) REQUIRING WRITTEN NOTIFICATION OF ALTERNATIVE SYSTEM PRIOR TO PROPERTY TRANSFER, (6) NEED FOR A CERTIFIED OPERATOR, (9) NEED FOR AN OPERATION AND A MAINTENANCE CONTRACT WITH AN OPERATOR AND (10) DEED NOTICE REQUIREMENT

CUR-TECH CTL 18 SYSTEM		
HEIGHT OF CONCRETE CHAMBER IN INCHES = 20"		
LIQUID STORAGE CAPACITY PER 8' IN GALLONS = 301 GALLONS		
TRENCH CONFIGURATION EFFECTIVE LEACHING AREA SF/LF = 8.91		
FIELD CONFIGURATION EFFECTIVE LEACHING AREA SF/LF = 10.57		

NOT TO SCALE DATE : 6-13-19 CUR-TECH SYSTEM : CTL 18



CUR-TECH, LLC P (203)-869-2969 INFO@CUR-TECH.COM
23 RYAN STREET F (203)-869-2977 WWW.CUR-TECH.COM
STAMFORD CT 06907