

TENSIONING SOLUTIONS Inc.

"Your simple and low-cost banner Stretching System"

Newsletter - February 12, 2015

IN THIS ISSUE:

- [Fabricating TS32 Rigid Frames](#)
- [TS32 Rigid Frames Applications](#)

100s of Applications...



Realized With A Handful of Extrusions...!



KEEPING IN TOUCH...

Phone: (800) 436-8242

 [Gallery](#)

Web: www.tensols.com

 [Send us an Email](#)

Welcome To Our 2015 Newsletters

TS32 Rigid Frames Applications...

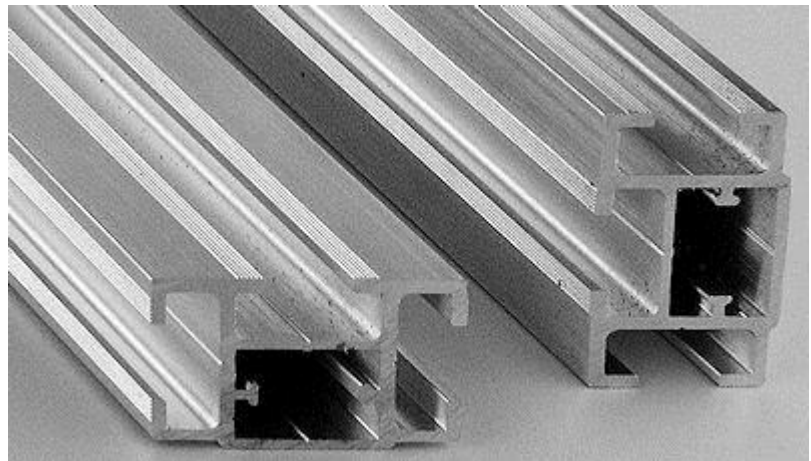
Rigid Frames can be used in many different ways to display stretched banners of different types of graphic materials.

The main applications are decoration, and advertising for:

- Shops,
- Malls
- Art Galleries
- Museums
- Exhibits, Displays
- Architectural applications (Wall Graphics, Ceilings,...)
- Retail...

These rigid frames are hung on walls or ceilings. The graphics are wrapped around the frames (i.e. Gallery wrap). Stretching diverse banner materials, Canvas, Fabrics, Poplin, Polyester canvas, Polyester fabric ...

The TS32 Extrusion



The TS32 aluminum extrusion is suited for fabricating Banner Stretching Frames for small to large interior/exterior signs. It is easily installed on a variety of supports (dry walls, stucco, concrete, bricks and fluted walls).

Our specific extrusion design allows the graphic to be removed and rapidly replaced by a new one.

And our pricing makes it even more attractive, allowing sign installers to be competitive in their markets and offer quality solutions to their customers.

[Subscribe To Our Newsletter](#)



All our aluminum and PVC extrusions are 100% recyclable.



Our entire aluminum and PVC extrusion product line is designed and manufactured in the USA.

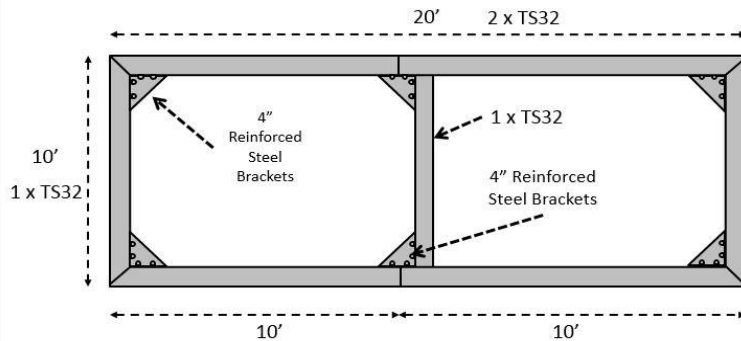
How does it work?
Have a look to our video...



[Ask For A Free Quote](#)

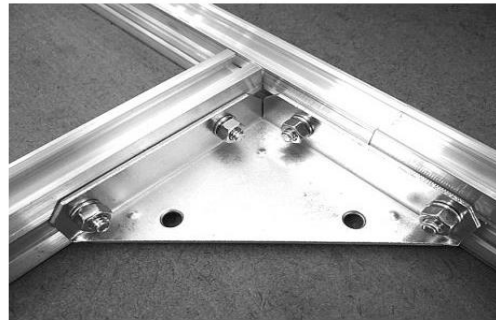
Fabricating Rigid Frames

10' by 20' Frame Sketch



Material:
TS32 = 7
TS79W = 6 (PVC clipping bars)
4" Reinforced Steel Brackets = 6
FS100 Locking Screws = 24

Reinforcement Beam Detail



Hardware for TS32 Rigid Frames



TS32 Rigid Frames Applications

TS32 - Rigid Frames When The Wall Is Not Flat...



TS32 - Rigid Frames Hung From The Ceiling When There Is No Wall...



TS32 - Rigid Frames For Retail Decoration, Easy to Change.



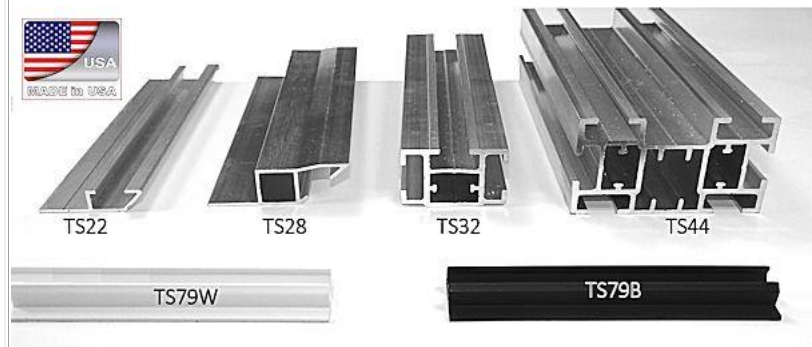
TS32 - Rigid Frames For Museums Decoration



TS32 Extrusion For Backlit Frames Mounted on Brackets (*Floating Effect*)



Extrusions Product Line



[Ask For A Free Quote and Sketch...](#)

[Top of Page](#)



TENSIONING
SOLUTIONS

Tensioning Solutions Inc.

EASY TO INSTALL FOR ANY FRAME SHAPES AND SIZES,