

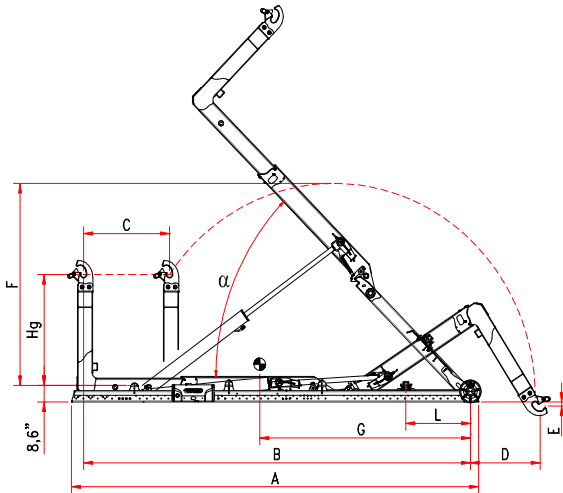


b.o.b. Sistemi Idraulici S.p.A.

unilift[®]

COMPANY WITH
QUALITY SYSTEM
CERTIFIED BY DNV GL
= ISO 9001 =

HOOKLIFT « T 26.000/6 MS »



MODEL	T 26.000/6 NC MS	T 26.000/6 N MS	T 26.000/6 NL MS	T 26.000/6 L MS
Hg	53,88"/61,75" (1.369/1.569 mm)	53,88"/61,75" (1.369/1.569 mm)	53,88"/61,75" (1.369/1.569 mm)	53,88"/61,75" (1.369/1.569 mm)
A	200" (5.080 mm)	207,87" (5.280 mm)	215,74" (5.480 mm)	235,43" (5.680 mm)
B	204,72" (4.800 mm)	196,85" (5.000 mm)	204,72" (5.200mm)	220,47" (5.400mm)
C	40,74" (1.200 mm)	40,74" (1.200 mm)	40,74" (1.200 mm)	40,74" (1.200 mm)
D	62,2" (1.580 mm)	54,33" (1.380 mm)	46,45" (1.180 mm)	38,58" (980 mm)
E	3,93" (100 mm)	3,93" (100 mm)	3,93" (100 mm)	3,93" (100 mm)
F	113,38" (2.880 mm)	113,38" (2.880 mm)	113,38" (2.880 mm)	113,38" (2.880 mm)
G	98,81" (2.510 mm)	104,72" (2.660 mm)	110,23" (2.800 mm)	115,74" (2.940 mm)
L	19,64" (500 mm)	27,55" (700 mm)	35,43" (900 mm)	39,37" (1000 mm)
Weight*	3.670 lb (1.665Kg)	3.725 lb (1.690 Kg)	3.780 lb (1.715 Kg)	3.835 lb (1.740 Kg)
alpha	55°	51°	48°	45°
Container min. max.	14' - 18' (4.267-5.486 mm)	14' - 19' (4.267-5.791 mm)	15' - 20' (4.572-6.096 mm)	16' - 21' (4.876-6.400 mm)
LIFTING CAPACITY	26.000 lb (11.820 Kg)	26.000 lb (11.820 Kg)	26.000 lb (11.820 Kg)	26.000 lb (11.820 Kg)
TIPPING CAPACITY	26.000 lb (11.820 Kg)	26.000 lb (11.820 Kg)	26.000 lb (11.820 Kg)	26.000 lb (11.820 Kg)

*Weight: basic hooklift weight without kit and options

The technical details shown in this sheet are indicative and can be changed by the builder without prior notice

B.O.B. Sistemi Idraulici S.p.A. – Regione Oltre Rea, 32 – 12060 Monchiero (CN) - Italia

P. I.V.A. 00496180043 - Tel.: +39 (0173) 780002/3 – Fax: +39 (0173) 780004

Internet: www.bobspa.com - E-mail: info@bobspa.com