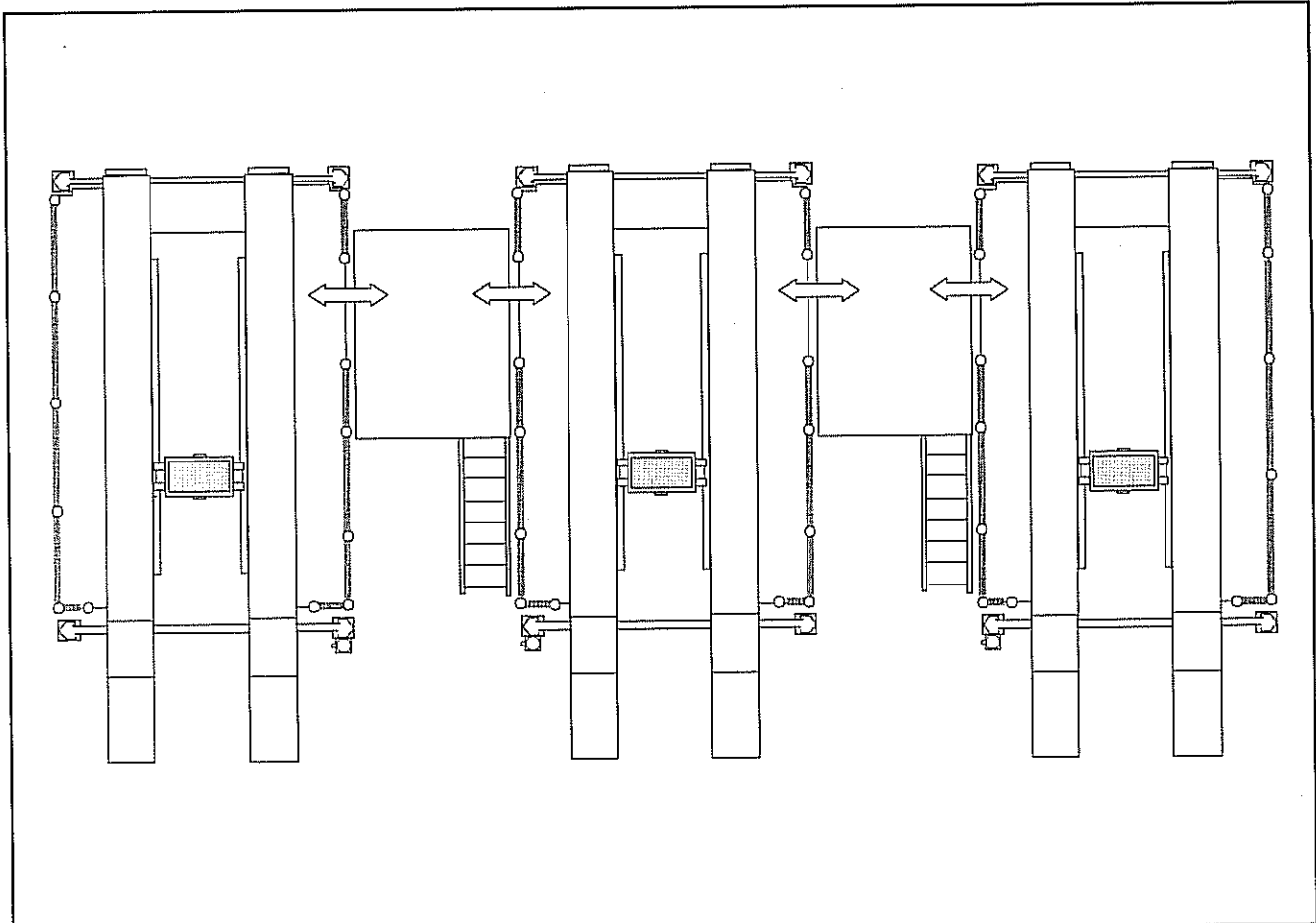




Models QLHV 130, 131, 132

PARTS BREAKDOWN



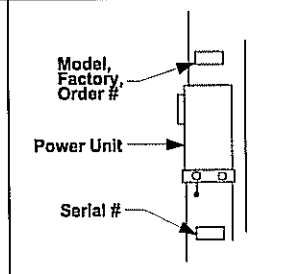
IMPORTANT: When ordering parts or requesting service, always give exact model and power unit serial number. Model number is shown on nameplate attached to power unit column. Power unit serial number is located on side of reservoir.

NOTES:

OWNER'S RECORD

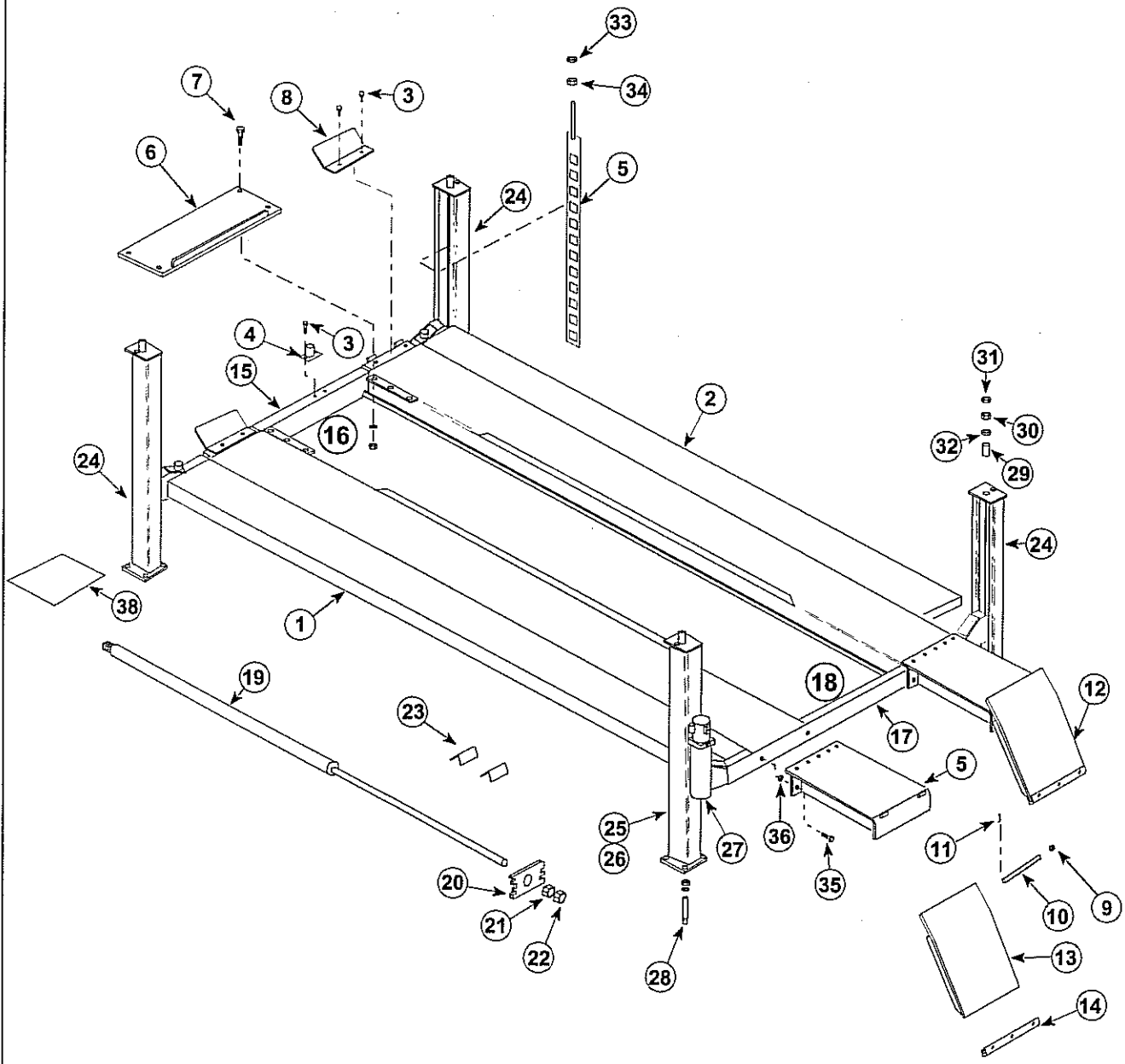
Complete information at right and keep in a safe place.

Date Installed _____ / _____ / _____
 Installed in Bay # _____
 Std. Serial # _____ P761
 Factory Order # _____
 Model # _____



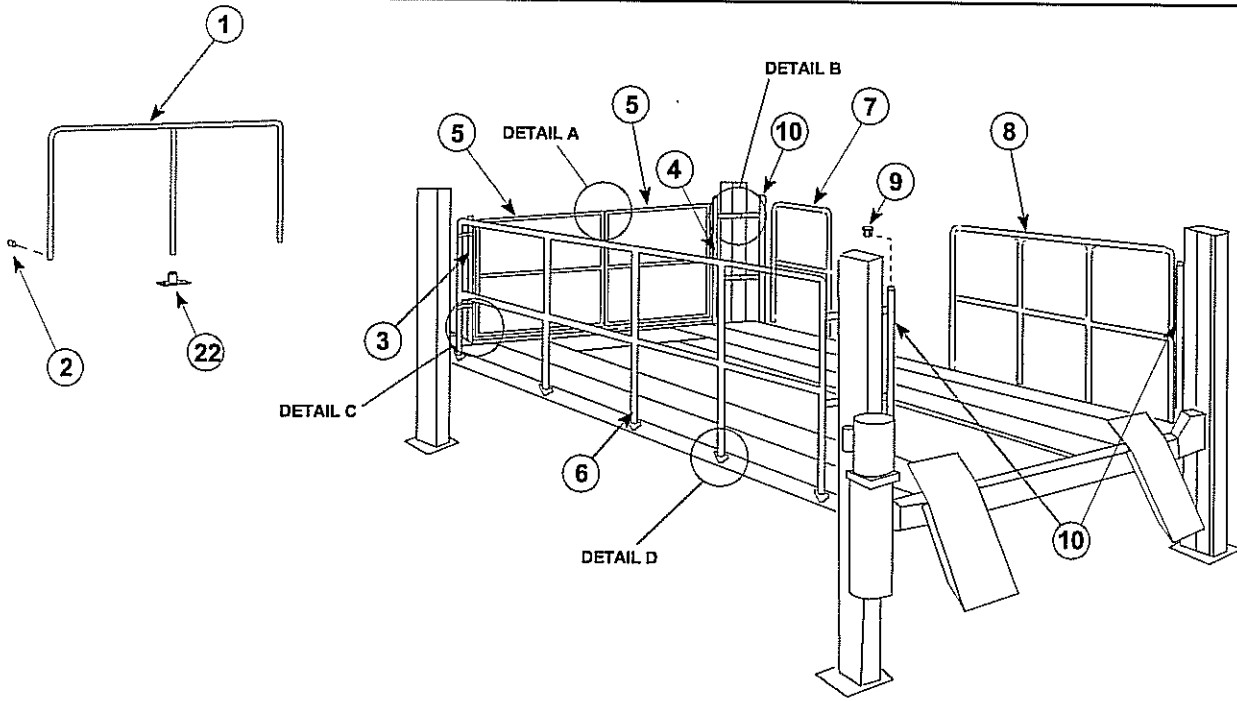
Note: For Replacement Parts - See Your Nearest Rotary Parts

RUNWAYS		
Lift Model No.	Left Hand Runway Assembly <i>(includes cylinder, cables and sheaves)</i>	Right Hand Runway Assembly
QLHV-30	FC5922	FC5923
QLHV-31	FC5924	FC5923
QLHV-32	FC5924	FC5872

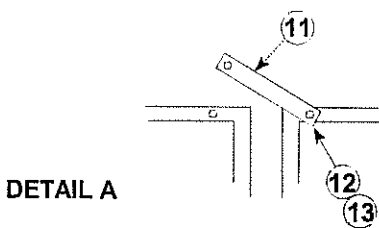


REPLACEMENT PARTS

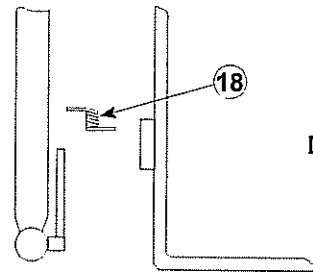
ITEM NO.	DESCRIPTION	PART NO.
1	Left Hand Runway Assembly (Includes: cylinder, cables and sheaves)	Table on Opposite Page
2	Right Hand Runway Assembly	
3	1/2"-13NC x 1 1/4" Flg. Whiz-Lock HHCS ZPL	40279
4	Center Support	FC5459-1
5	Latch Bar	FC5704-3
6	Center Manway	FC5239
7	3/8" -16NC Hex Head Cap Screw x 1" Lg. Bolt	40139
	3/8" -16NC Hex Nut	40657
	3/8" Flat Washer	40820
8	Wheel Stop	FC342
9	5/8" Push-nut Fastener-TRW #PW625019 (or equal)	FC5179-4
10	Hinge Pin	FC134-99
11	5/32" x 1" Cotter Pin	41202
12	Ramp / Chock Assembly	FC134-12
13	Ramp / Chock	FC134-65
14	Ramp / Chock Slide	FC134-33
15	Front Yoke	FC5709-1
16	Front Yoke Assembly (Includes Latches)	FC5709
17	Rear Yoke	FC5747-1
18	Rear Yoke Assembly (Includes Latches)	FC5747
19	Hydraulic Cylinder	FC5797
20	Cable Pull Bar	FC543
21	1 3/8"-6NC Hex Nut	40771
22	1 3/8"-6NC Hex Jam Nut	40773
23	Triangular Wheel Chock	FC320
24	Column	FC5704
25	Power Unit Column	FC5705
26	Power Unit Column for QLHV-30	FC5754
27	Power Unit	P761
28	5/8" Anchor Bolt	FC5228
29	Spacer	FC5287
30	7/8"-9NC Hex Nut	40765
31	7/8"-9NC Hex Jam Nut	40766
32	7/8" Flat Washer	41073
33	3/4"-10NC Hex Jam Nut	40759
34	3/4"-10NC Hex Nut	40760
35	2' Bolt-on Runway Extension	FC5750
36	1/2"-13NC HHCS x 2" Ig. Bolt	40316
37	1/2"-13NC Jam Nut	40700
38	Seismic Shim -- optional	FC5794-2



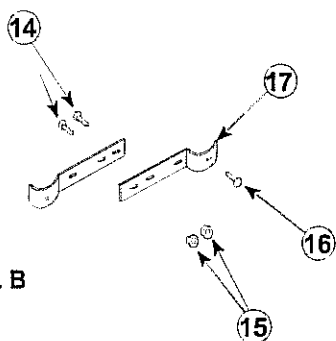
RAILINGS					
ITEM NO.	DESCRIPTION	PART NO.	ITEM NO.	DESCRIPTION	PART NO.
1	Front Railing	FC5444	12	Push Nut	40721
2	3/8"-16NC Set Screw x 1/2" Lg.	40125	13	Gate Pin	FC5237-25
3	Left Gate Post	FC5466	14	1/4"-20NC x 1/2" Lg. Hex Cap Screw	40062
4	Right Gate Post	FC5469	15	1/4"-20NC Hex Flanged Lock Nut	40641
5	Gate Section	FC5237-15	16	1/4"-20NC x 1/2" Lg. Hex Tapping Screw	40067
6	Long Railing	FC5509	17	Adjustable Strap	FC5470
7	Short Railing	FC5757	18	Gate Torsion Spring	FC5237-27
8	Railing	FC5756	19	3/8"-16NC Hex Cap Screw x 1" Lg.	40139
9	Plastic Plug	Kee Klamp #77-7	20	3/8" Washer	40820
10	Rail Post	FC5746	21	3/8"-16NC Nut with Nylon Insert	40657
11	Gate Latch	FC5237-31	22	Center Support	FC5459-1



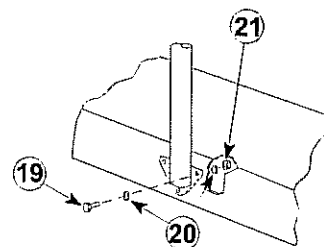
DETAIL A



DETAIL C

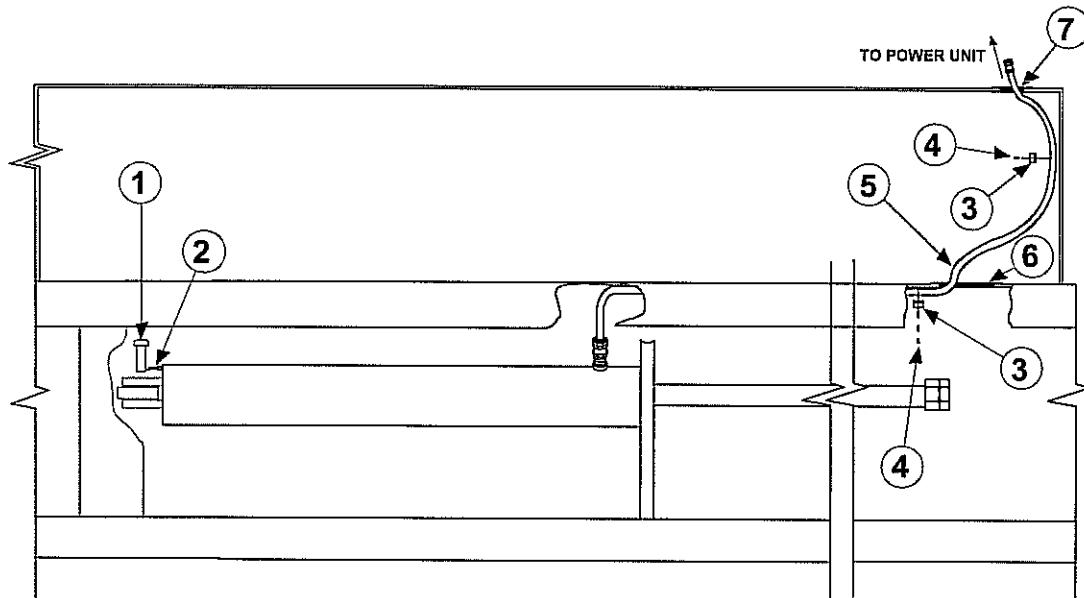
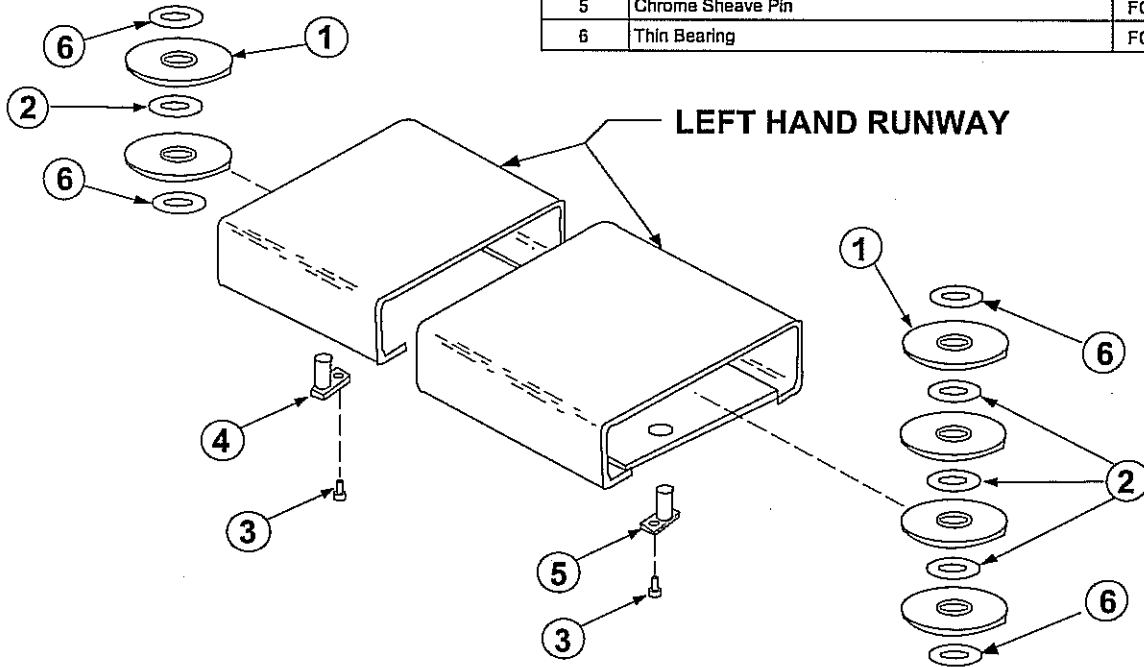


DETAIL B



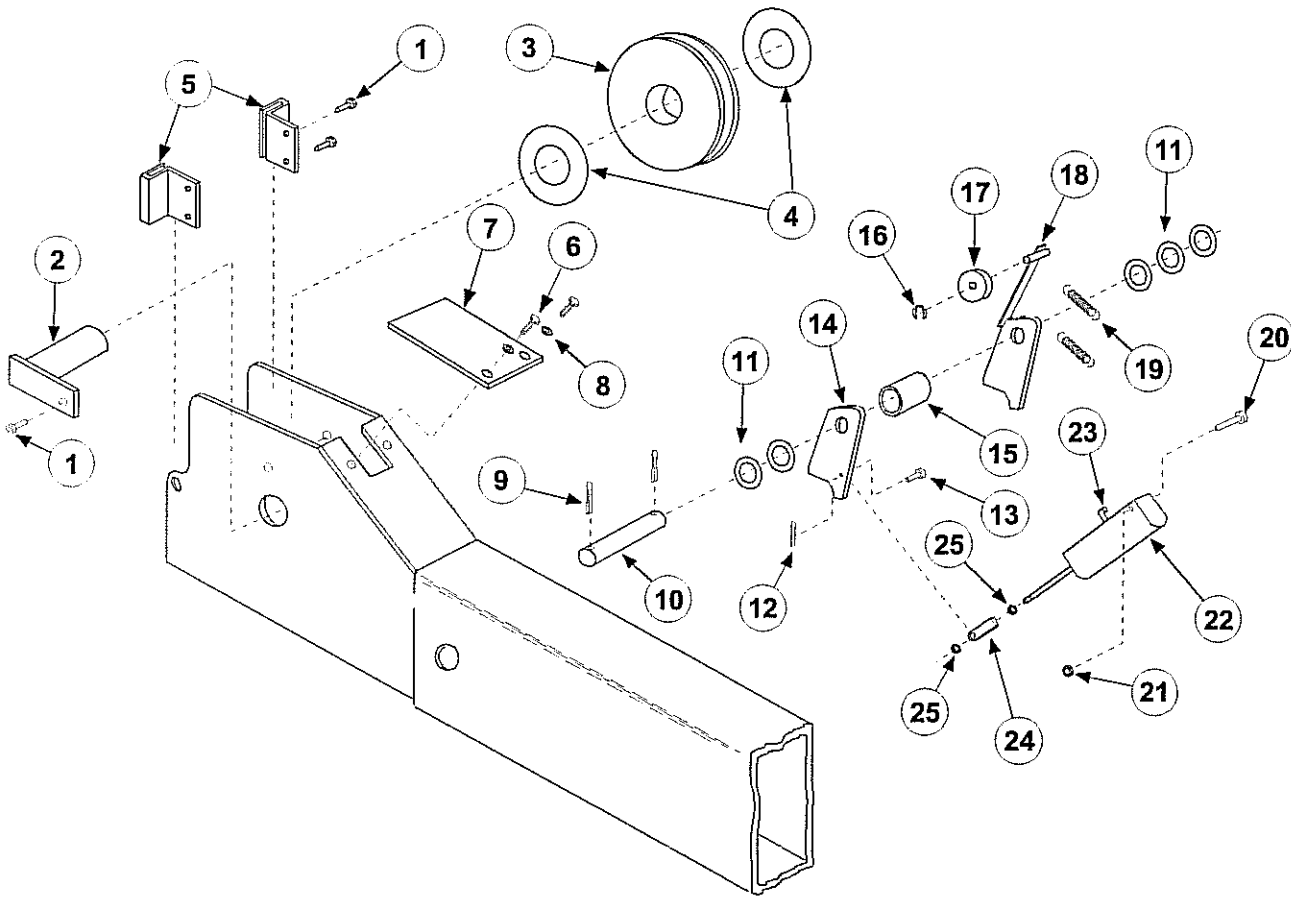
DETAIL D

SHEAVE DETAIL		
ITEM NO.	DESCRIPTION	PART NO.
1	Sheave	FC548
2	Spacer	FC5346-2
3	5/16"-18NG HSBHCS x 1/2" Lg.	40225
4	Sheave Pin	FC555-1
5	Chrome Sheave Pin	FC5728-7
6	Thin Bearing	FC548-5



(view is underside of Left Hand Runway)

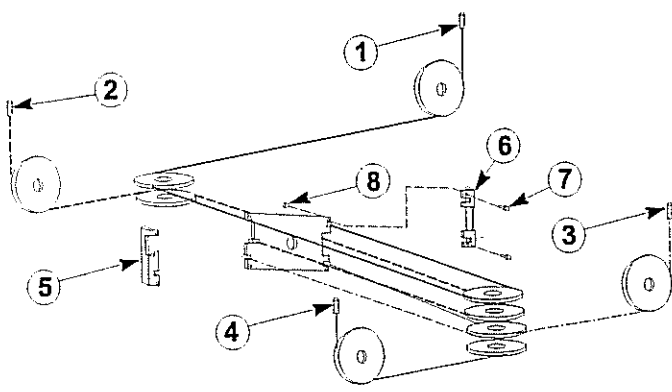
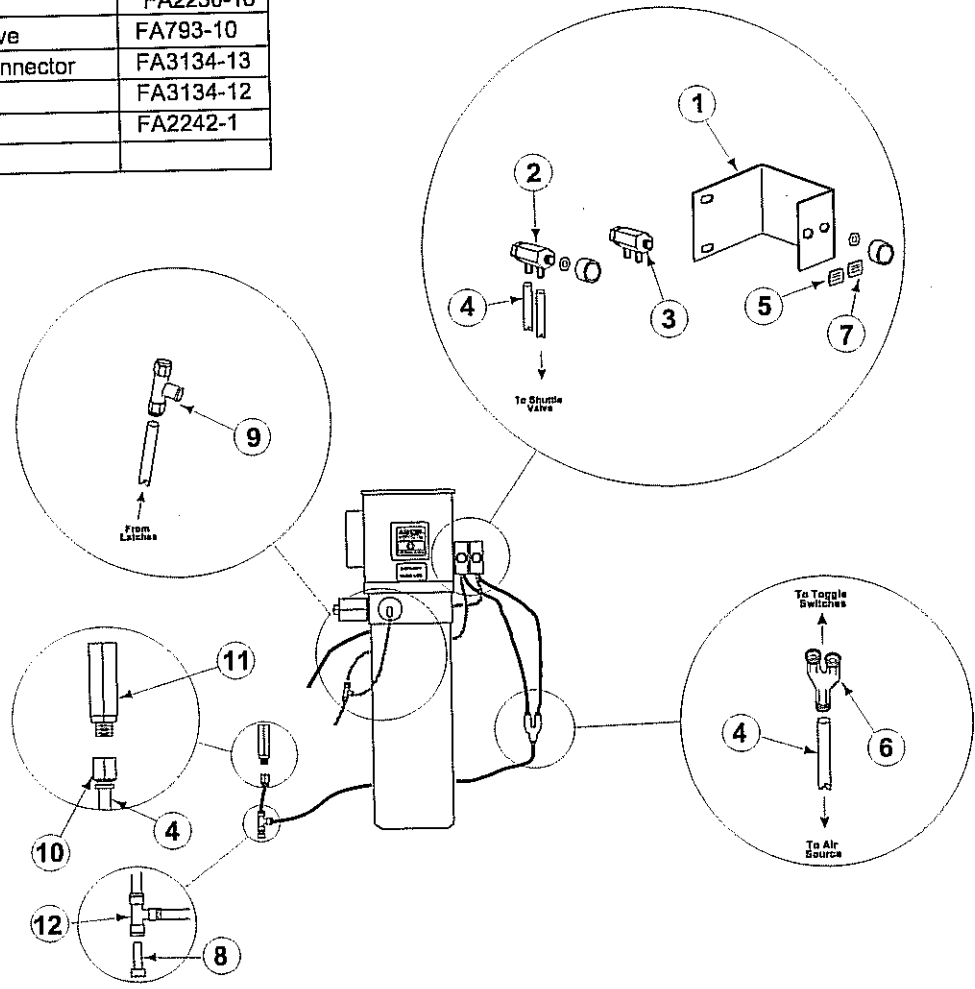
HYDRAULIC HOSE DETAIL		
ITEM NO.	DESCRIPTION	PART NO.
1	Clevis Pin	FC5346-1
2	3/16" x 1 1/4" Cotter Pin	41247
3	Clamp	FA2239-1
4	#10-24NC Slotted HHTS x 5/8" Lg.	40029
5	Power Unit Hose for QLHV 31,32	FC5798
	Power Unit Hose for QLHV 30	FJ865
6	Strip Grommet	FC5317-12
7	Grommet	FC5317-11



YOKE END DETAIL

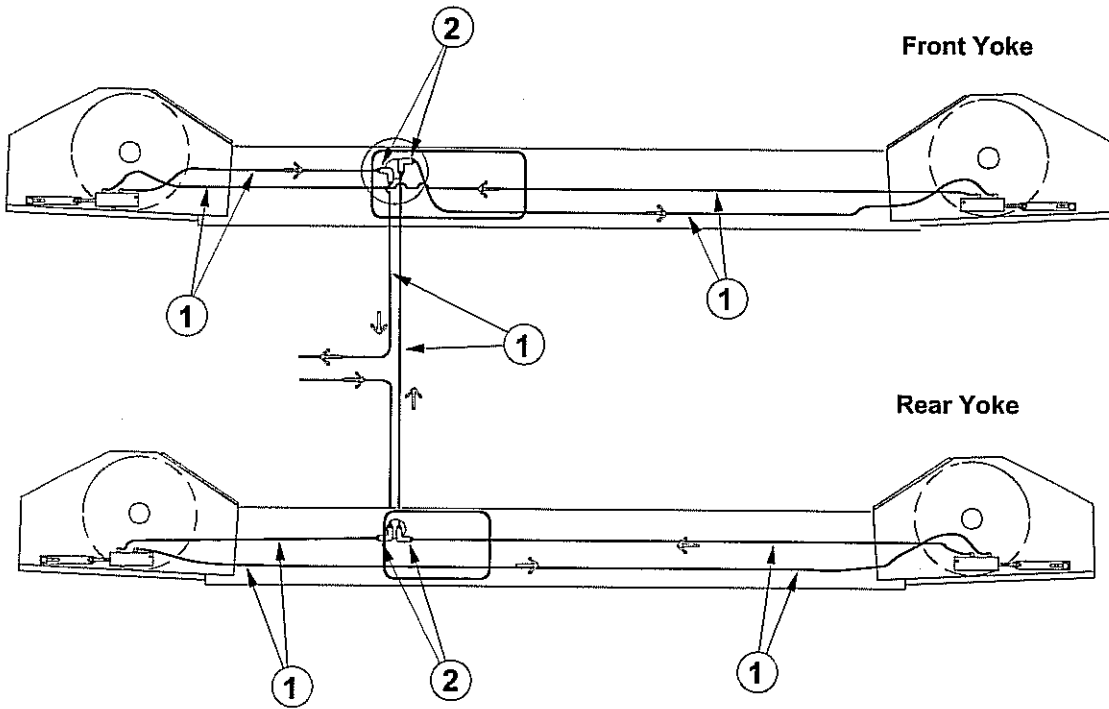
ITEM	DESCRIPTION	PART NO.	ITEM	DESCRIPTION	PART NO.
1	5/16"-18NC x 1/2" Lg. Button Head Screw	40225	14	Latch	FC5706-10
2	Sheave Pin	FC5224-21	15	Spacer	FC5706-9
3	Sheave	FC548	16	3/8" Snap Ring TRUARC #5304-37	41410
4	Plastic Bearing	FC548-5	17	Slack Cable Roller	FC553-21
5	Slider	FC5706-16	18	Slack Cable Latch	FC5706-8
6	1/4" 20NC HHTS x 1/2" Lg.	40067	19	Extension Spring	FC522-25
7	Rubber Guard	FC553-10	20	1/4"-20NC HHCS X 1 1/2" Lg.	40081
8	1/4" Plain Washer	40780	21	1/4"-20NC Hex Nut w/locking nylon Insert	40642
9	Colter Pin, 1/8" X 1 1/4"	41201	22	Air Cylinder	FC5708-2
10	Latch Shaft	FC5224-17	23	Elbow	FC5224-39
11	Washer	FC5301-98	24	Clavis	FC5706-7
12	1/4" Hairpin Colter Pin (.05" dia. wire)	41801	25	1/4"-28NF Hex Nut	40622
13	Clavis Pin	FA2230-12			

AIRLINE DETAIL		
ITEM NO.	DESCRIPTION	PART NO.
1	Control Ass'y. Bracket	FA2273-7
2	Air Valve - Red Switch	FA3203-1
3	Air Valve - Black Switch	FA2273-8
4	1/4" Tubing	FA2273-4
5	Nameplate	NP375
6	"Y" Connector	FA2230-92
7	Nameplate	NP376
8	Plug	FA2230-16
9	Shuttle Valve	FA793-10
10	Female Connector	FA3134-13
11	Filter	FA3134-12
12	Union Tee	FA2242-1



CABLES			
ITEM NO.	DESCRIPTION	PART NO.	
		Standard Length	2' longer runways
1	Right Front Cable	FC547	FC5551-12
2	Left Front Cable	FC546	FC5551-11
3	Right Rear Cable	FC545	
4	Left Rear Cable	FC544	
5	Left Cable Retaining Bar	FC543-3	
6	Right Cable Retaining Bar	FC543-2	
7	1/4"-20NC x 1 1/2" HHCS	40110	
8	1/4"-20NC Hex Nut w/ locking nylon	40642	

LIFTS EQUIPPED WITH VENIX AIR CYLINDERS



AIRLINE DETAIL

ITEM	DESCRIPTION	PART NO.
1	Airline Tubing (Cut To Fit)	FA2230-2
2	Elbow	P527-22

NOTES:

NOTES:

NOTES:



World Leader in Lift Systems

World Headquarters:
ROTARY LIFT
A DOVER INDUSTRIES COMPANY
2700 Lanier Drive
Madison, IN 47250-1753 USA
Phone toll-free: 1-800-445-5438
1-(812) 273-1622
FAX toll-free: 1-800-822-6502
1-(812) 273-6502
E-mail: userlink@rotarylif.com
www.rotary-lift.com

For Canada:
DOVER CORP. CANADA, LTD.
ROTARY LIFT DIVISION
130 Bridgeland Avenue, Unit 210
Toronto, Ontario
Canada M6A 1Z4
1-(416) 258-4100
Fax: 1-(416) 256-3924

For United Kingdom &
Republic of Ireland:
ROTARY LIFT (UK) LIMITED
Madison House
2 Park Road
Darford, Kent DA1 1SL
Phone: +44 (0) 1322 223323
Fax: +44 (0) 1322 222454

For Europe:
ROTARY LIFT EUROPE
Berliner Ring 163 B
D-64625 Bensheim
Phone: +49 (0) 6251.787037
Fax: +49 (0) 6251.787038