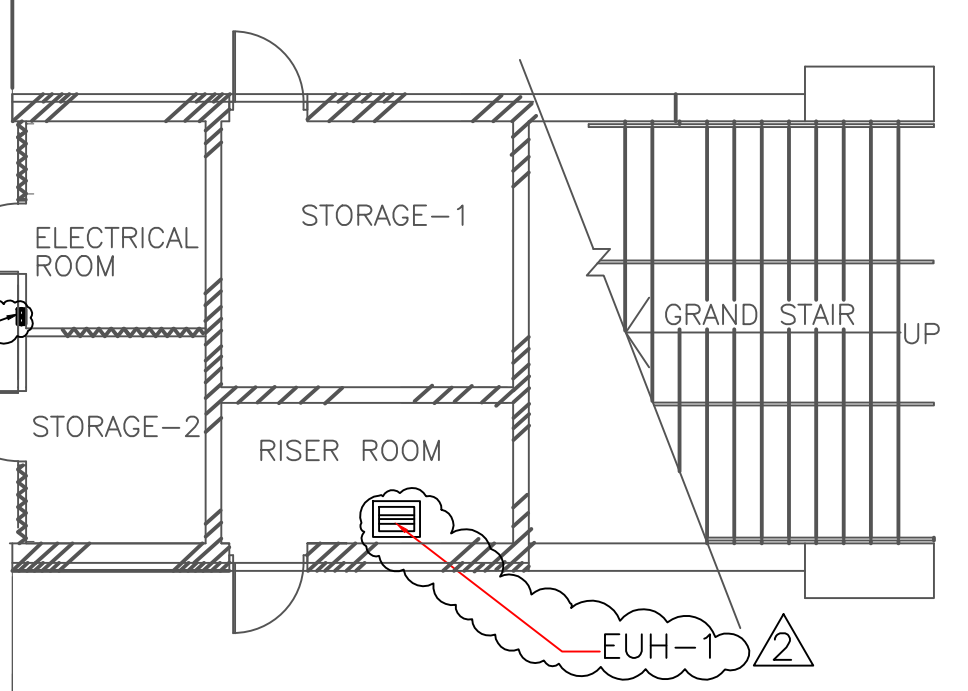


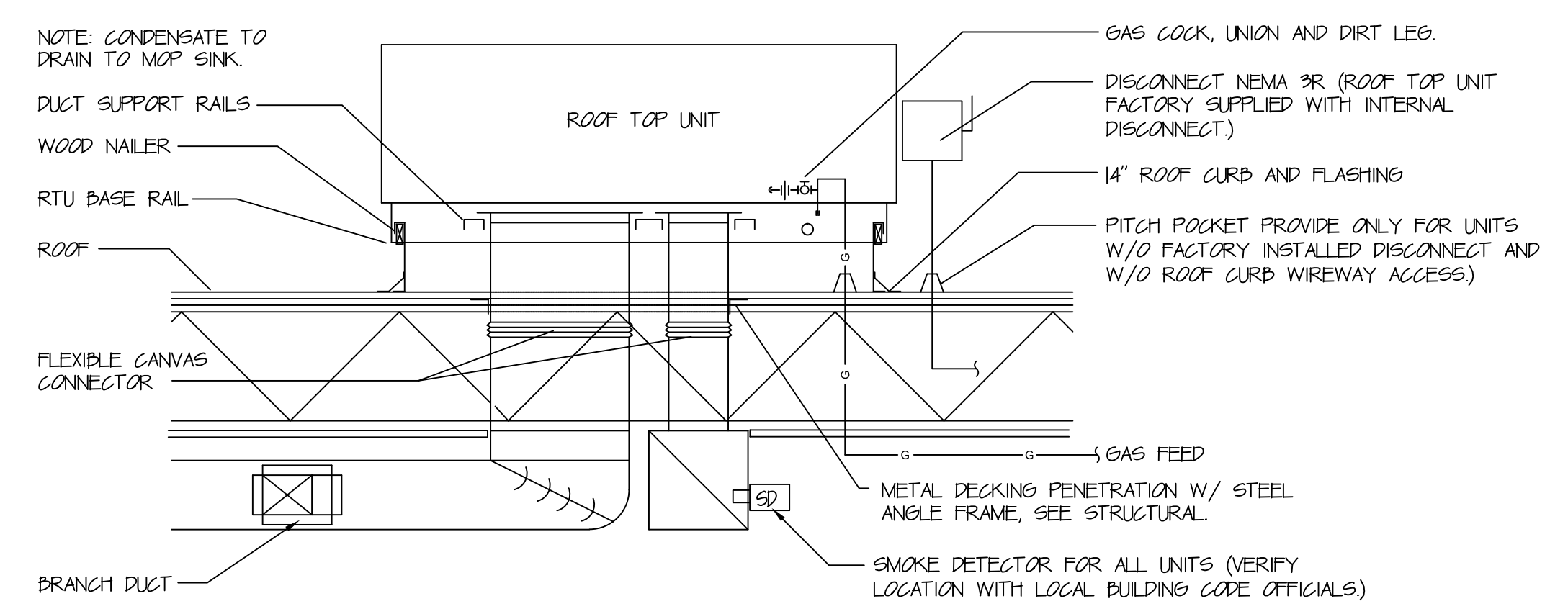
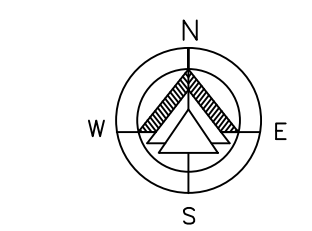
FRESH AIR CALCULATIONS						
ROOM	AREA	CFM	FRESH AIR	EXH	BY CODE	
					O.A.	EXH.
KITCHEN	630	1,000	-	440	440	
CAF	270	1,000	250	-	250	
CORR	262	600	150	-	16	
ELC. STOR	366	250	25	-	22	
OFFICE	350	800	40	-	31	
OFFICE 1	350	600	40	-	31	
TOILET M	180	300	30	250	-	250
TOILET W	180	200	20	200	-	200
TOILET OF	90	100	10	50	-	50
TOILET OF	90	100	10	50	-	50
MULTI HALL	2,000	6,500	1,120	-	1,100	

HVAC SYMBOLS			
SYMBOL	DESCRIPTION	SYMBOL	DESCRIPTION
	SUPPLY DUCT SCHEMATIC		DIFFUSER/ GRILLE TYPE
	RETURN DUCT SCHEMATIC		BASE BOARD HEATER
	DUCT WIDTH x DUCT HEIGHT		WALL HEATER
	DIRECTION OF AIR FLOW		FAN
	FLEXIBLE ROUND DUCT		DUCT DAMPER
	RETURN AIR / FLOW		FUSIBLE LINK FIRE DAMPER
	SUPPLY AIR / FLOW		DUCT SIZE REDUCER
	THERMOSTAT @ 46" AFF.		DUCT DAMPER
	IN DUCT SMOKE DETECTOR		FUSIBLE LINK FIRE DAMPER
	CONNECTION TO EXISTING		DUCT SIZE REDUCER
	SLOT DIFFUSER		ENVIRONMENTAL UNIT HEATER

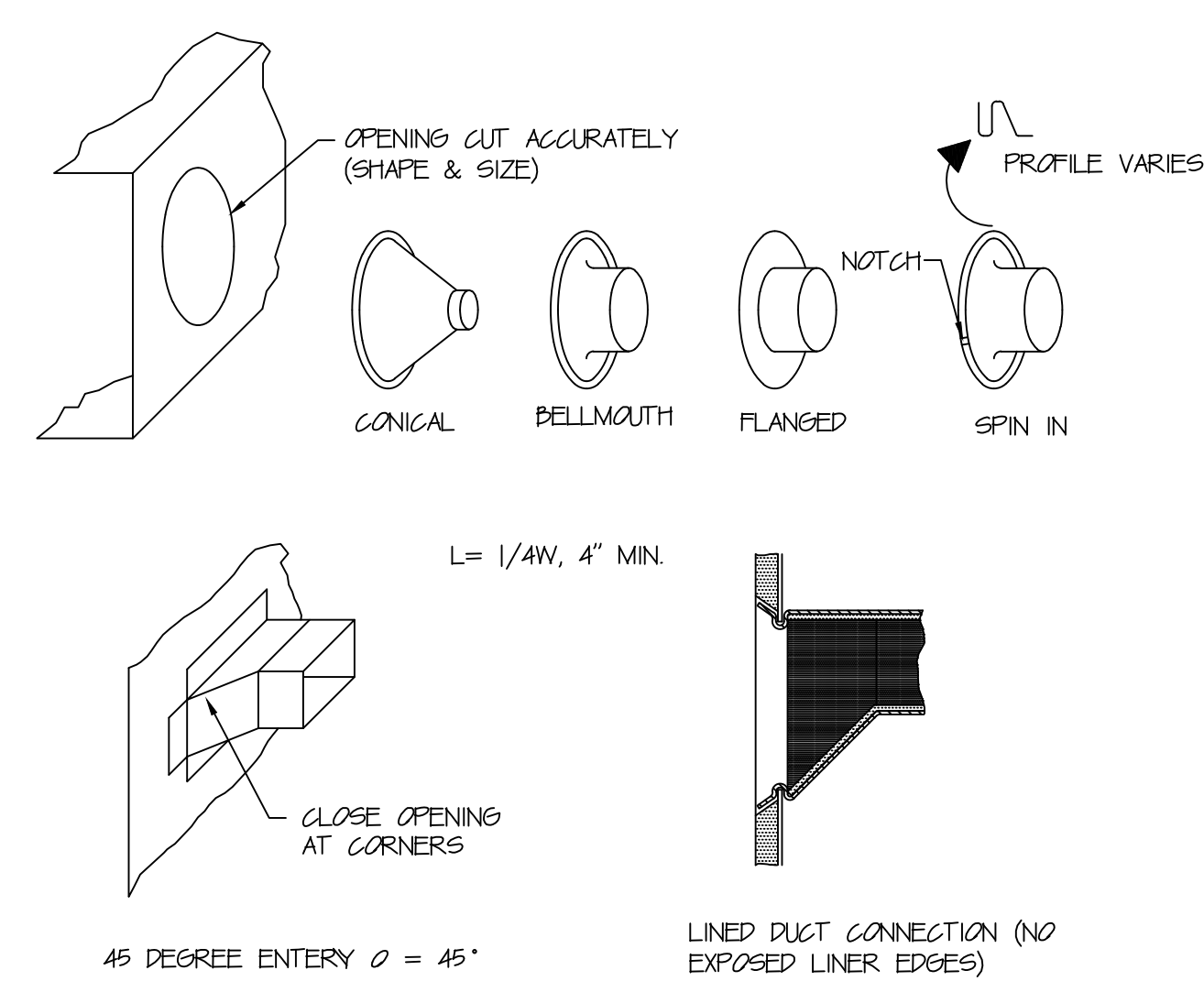
- HVAC GENERAL NOTES:**
- ALL HVAC WORK SHALL COMPLY WITH IBC MECHANICAL CODE AND ASHRAE REQUIREMENTS. CONTRACTOR SHALL ENGINEER DUCT RUNS SO AS TO MINIMIZE OFFSETS AND TRANSITIONS.
 - ALL GRILLES AND DIFFUSERS SHALL BE WHITE ENAMELED ALUMINUM OR STEEL WITH OPPOSED BLADE DAMPERS ON DIFFUSERS AND LOCATED APPROXIMATELY WHERE SHOWN ON DRAWINGS. RETURN GRILLES SHALL BE FIXED BLADE.
 - ALL SUPPLY DUCTS SHALL BE INSULATED WITH MINIMUM 1" DUCT WRAP. OUTSIDE AIR DUCTS SHALL BE INSULATED WITH MINIMUM 1" DUCT WRAP.
 - ALL DUCTWORK SHALL BE FABRICATED IN COMPLIANCE WITH SMACNA STANDARDS.
 - HVAC CONTRACTOR SHALL PROVIDE AND INSTALL TOILET EXHAUST EQUIPMENT, DUCTWORK, ETC., REQUIRED FOR COMPLETE OPERATIONAL INSTALLATION.
 - PROVIDE IN-DUCT SMOKE DETECTORS IN RETURN AIR DUCTS OF ALL UNITS LARGER THAN 2000 CFM. ACTIVATION OF DETECTOR TO SHUT DOWN UNIT AND PROVIDE ALARM TO FIRE ALARM PANEL. IN BUILDINGS WITHOUT A FIRE ALARM PANEL PROVIDE VISUAL & AUDIBLE ALARM FOR BOTH ALARM AND DETECTOR TROUBLE. PROVIDE REMOTE RESET, LOCATE NEXT TO THERMOSTAT.
 - BALANCE SYSTEM AND CERTIFY BALANCING.



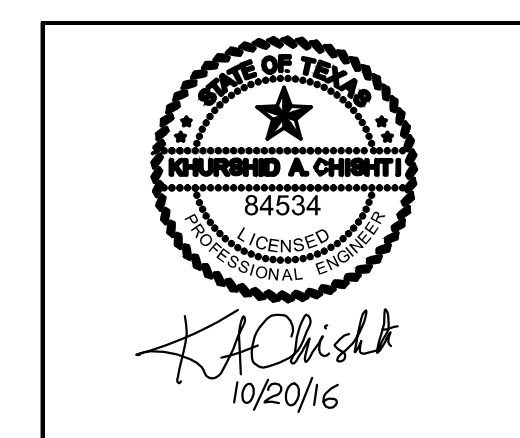
VOLUME DAMPER



ROOFTOP DETAIL
NO SCALE



BRANCH CONNECTIONS



CONSULTANT:
WAHEED CONSULTING
MECHANICAL-ELECTRICAL-PLUMBING SYSTEM DESIGNS
Registration No. F-6336
TEL (817) 793 2010, FAX: (972) 442 4063
420 PARKSIDE ST. MURPHY, TX, 75094
E-mail: waheedmep@yahoo.com

rev 10-20-2016 Revised as noted
rev 11-05-15 City Comments
scale AS NOTED
drawn by CADD-NV

SHASHI D. PATEL AIA NCARB
ARCHITECTS AND PLANNERS
442 EAST END AVE. STE-B. PITTSBURGH PA 15221

CONSTRUCTION DOCUMENT PHASE
RADHA KRISHNA TEMPLE
ALLEN TEXAS
dwg. no. 07162013 M1