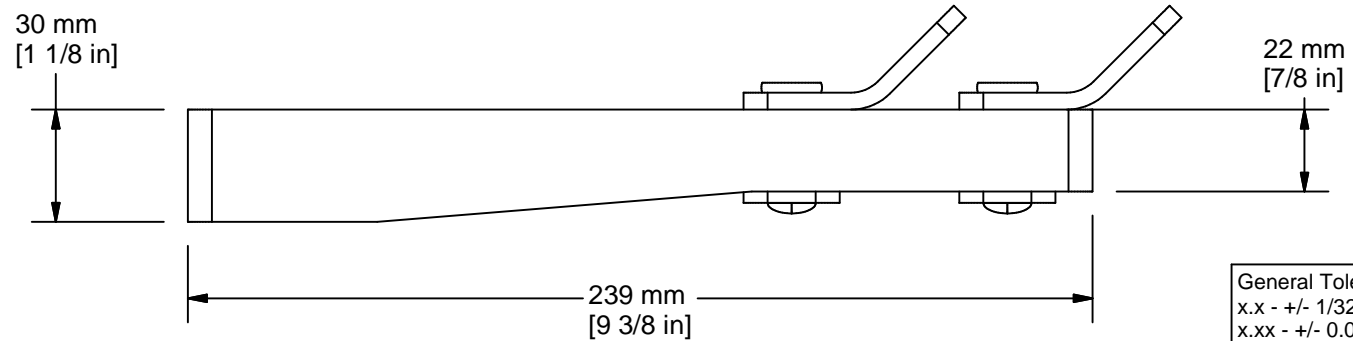
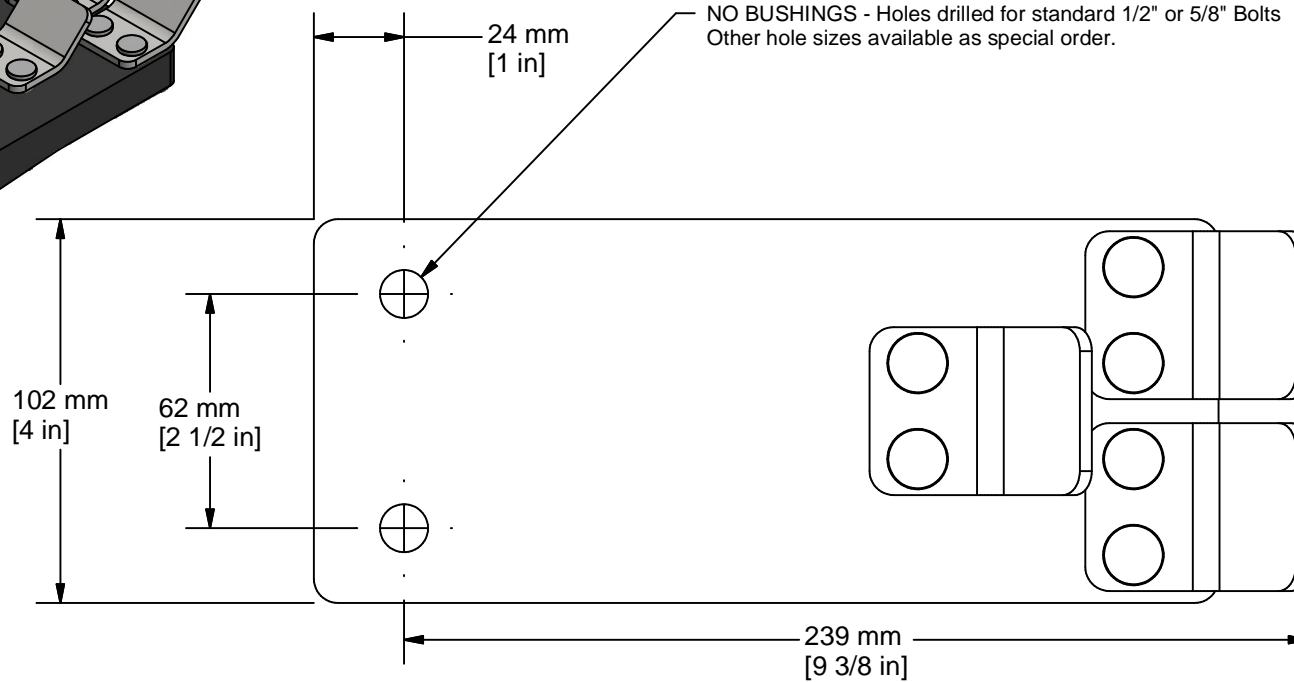
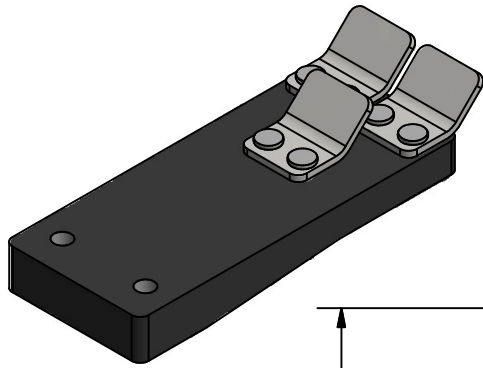
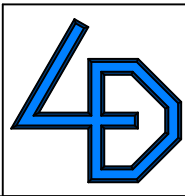


2

1



General Tolerances:
 x.x - +/- 1/32
 x.xx - +/- 0.010
 x.xxx - +/- 0.005
 x.xxxx - +/- 0.0005



LORNIC DESIGN INCORPORATED
 12613 JAMES STREET, SUITE 10
 HOLLAND, MICHIGAN 49424
 PHONE: 616-594-0355 FAX 616-582-5908

THIS DRAWING INCLUDING ALL DESIGNS AND INFORMATION CONTAINED OR IMPLIED IS CONFIDENTIAL AND THE PROPERTY OF LORNIC DESIGN INCORPORATED. IT MAY NOT BE USED OR REPRODUCED IN ANY MANNER WITHOUT THE WRITTEN PERMISSION OF LORNIC DESIGN INCORPORATED AND IT MUST BE RETURNED UPON REQUEST (c) 2004

RELEASE DATE:	6/14/2017	RELEASED BY:	NRH
Lornic Design "393" 3-Cleat Paddle Generic Sales Dimensions			
FILE:	393 3-Cleat Sales.idw	SIZE:	A
SHEET:	1 of 1		

2

1