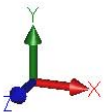
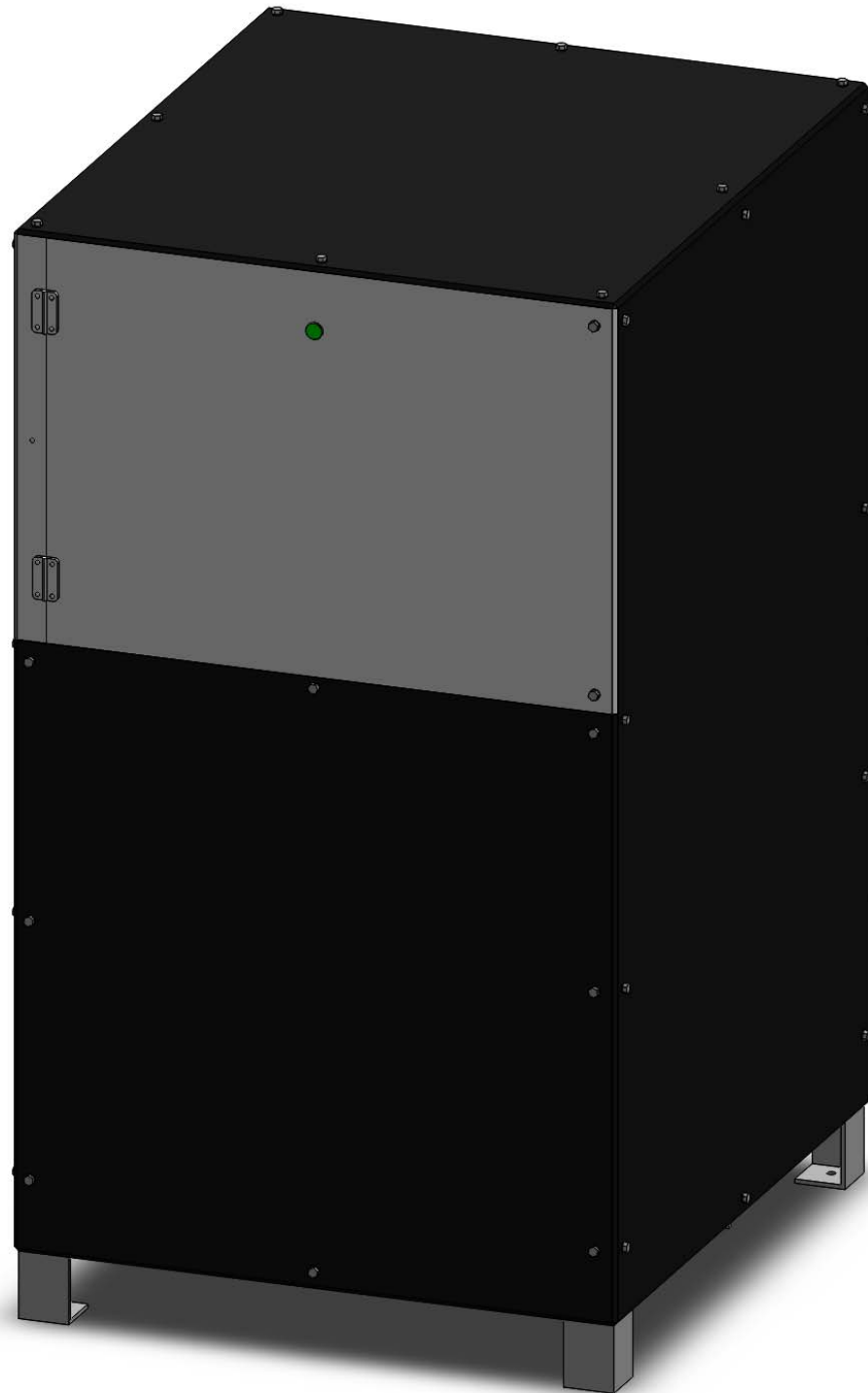
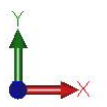
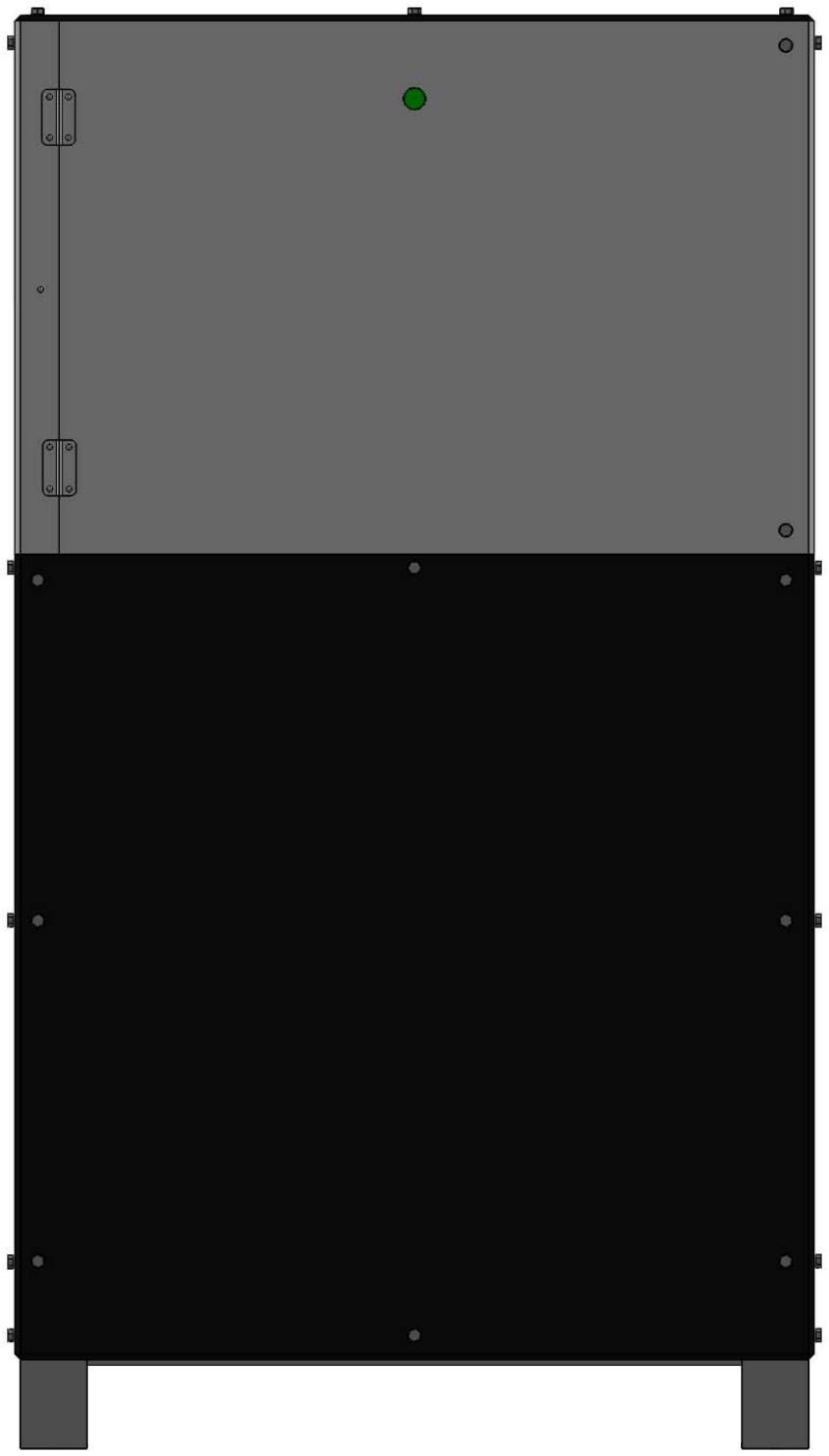


POLY #3 WATER COOLED CABINET

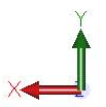
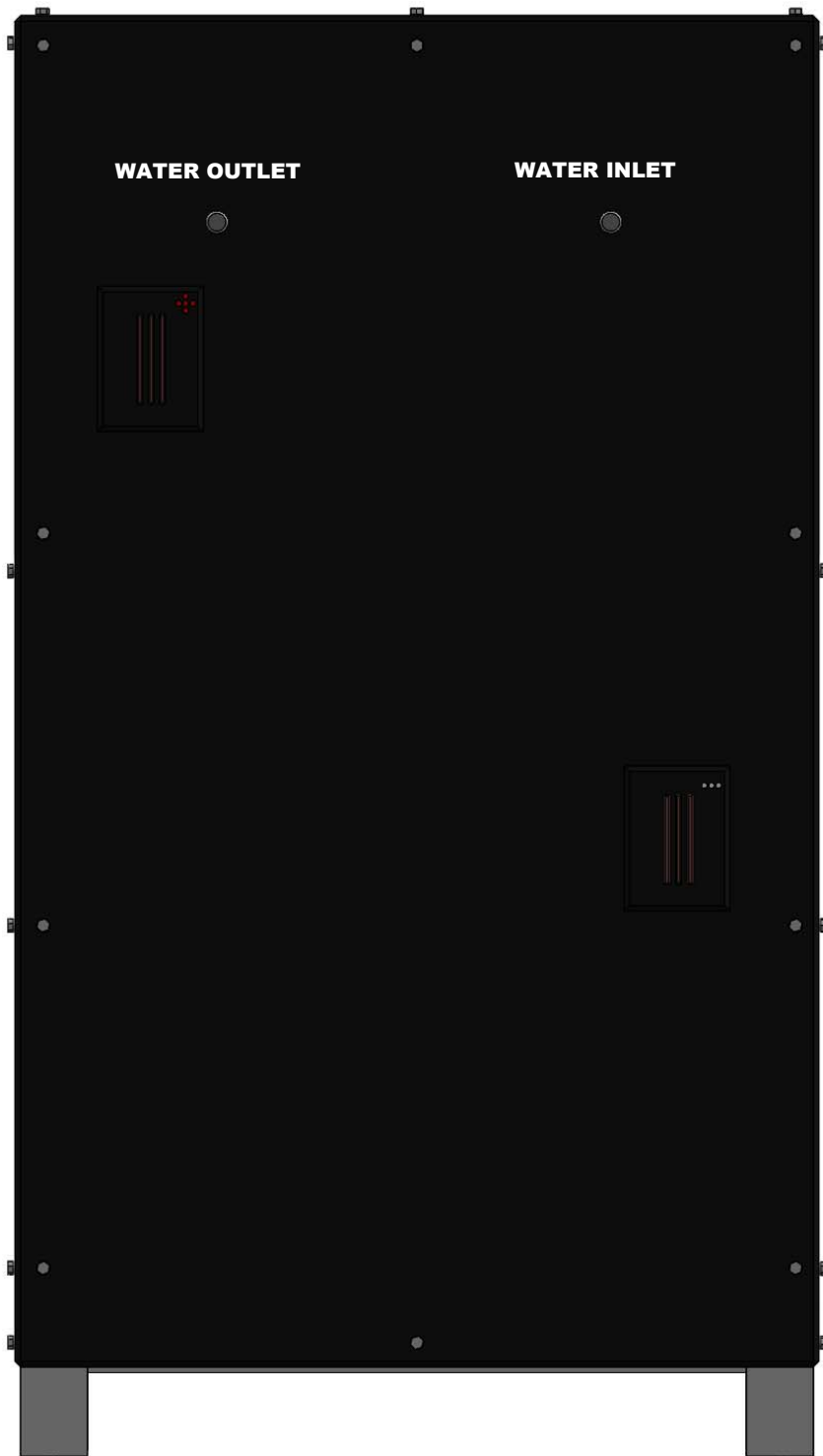


FRONT



RIGHT

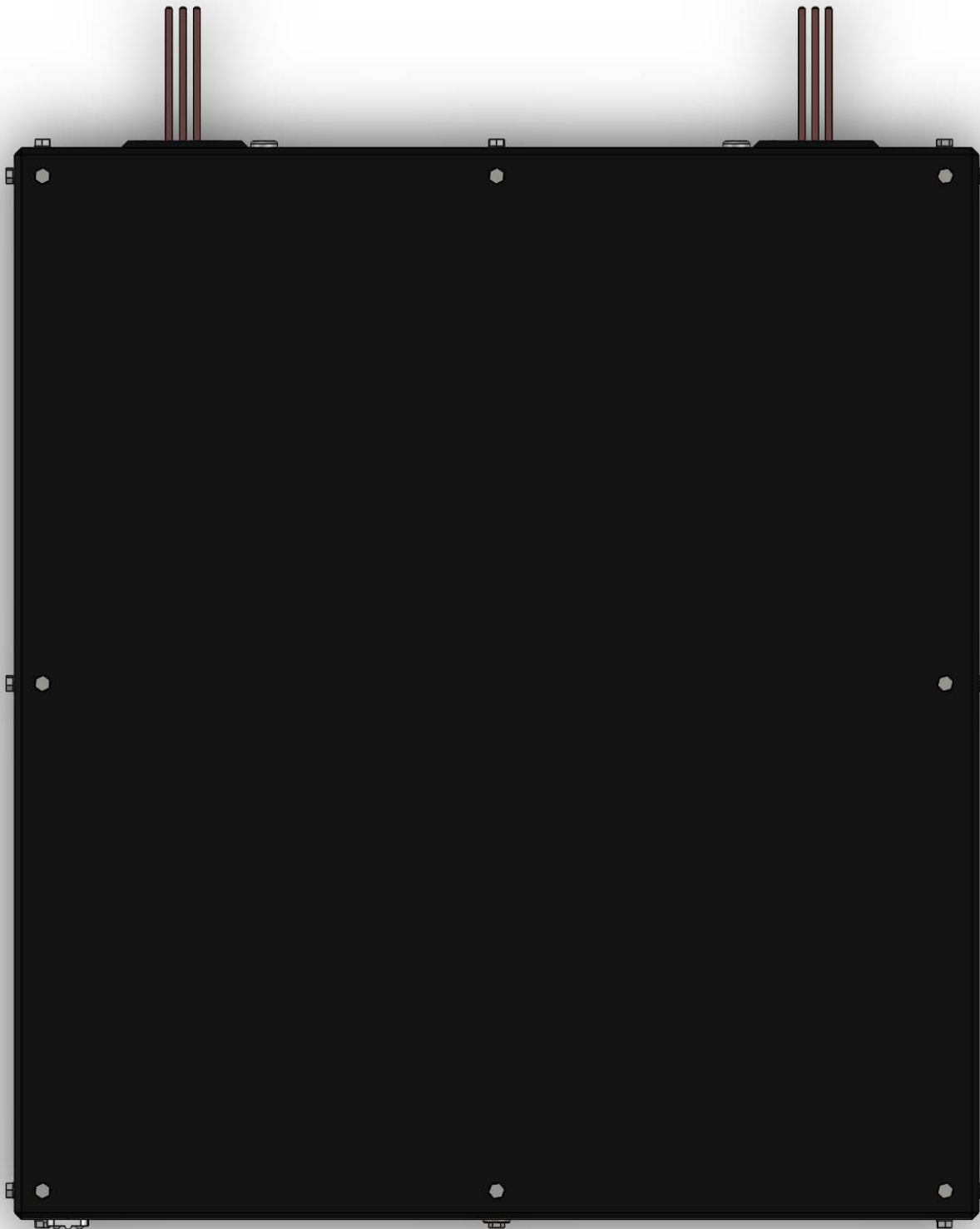


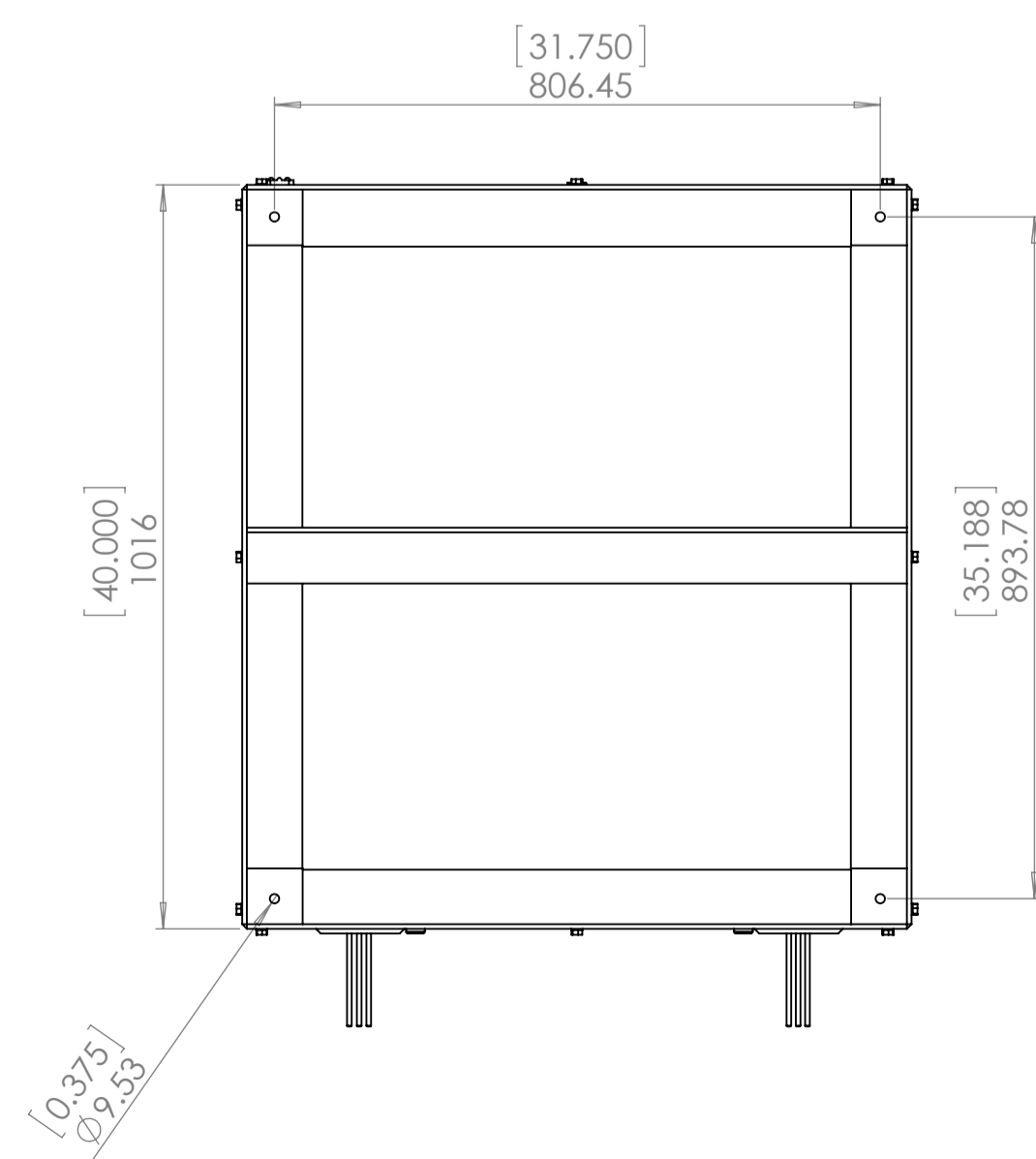
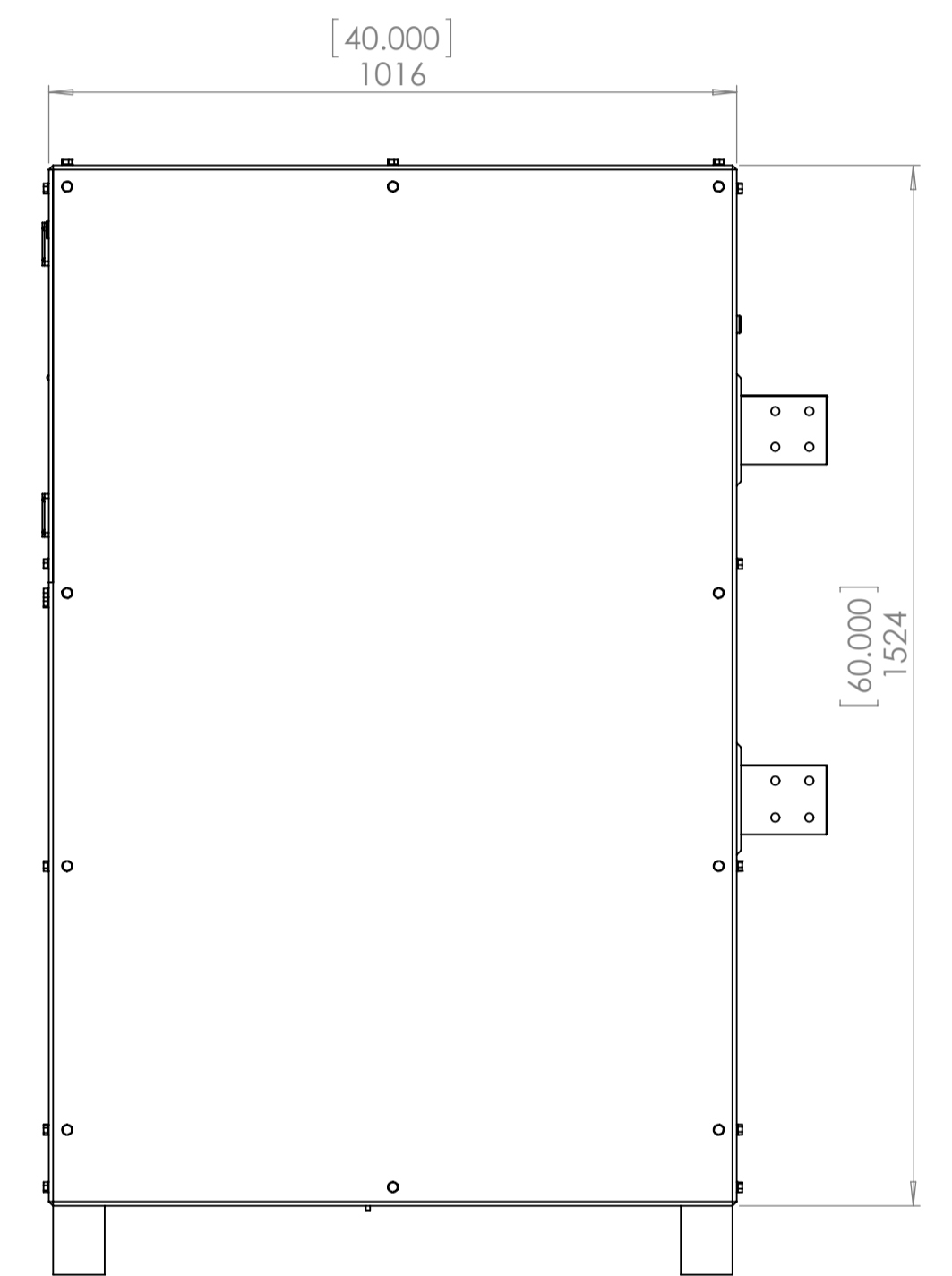
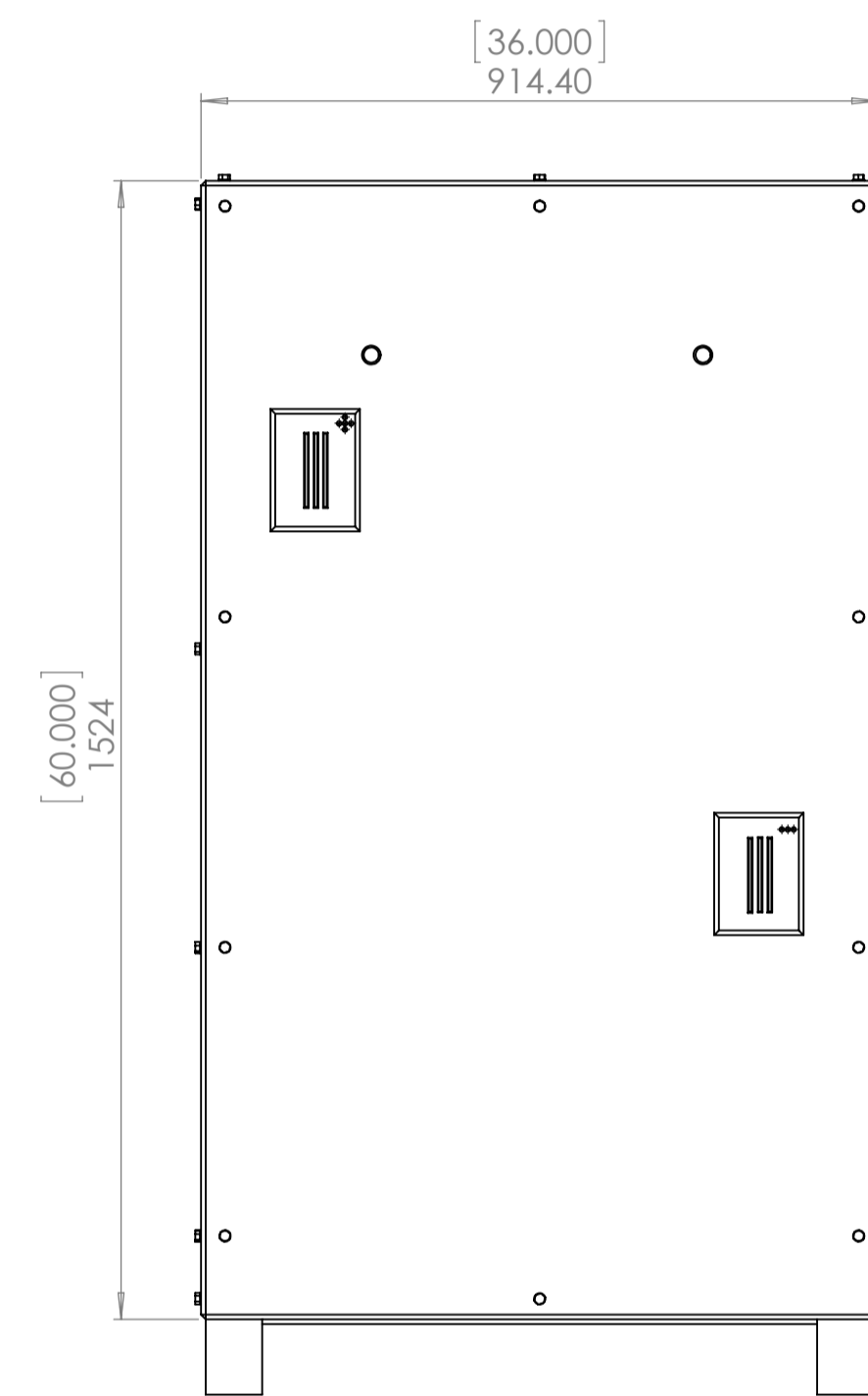
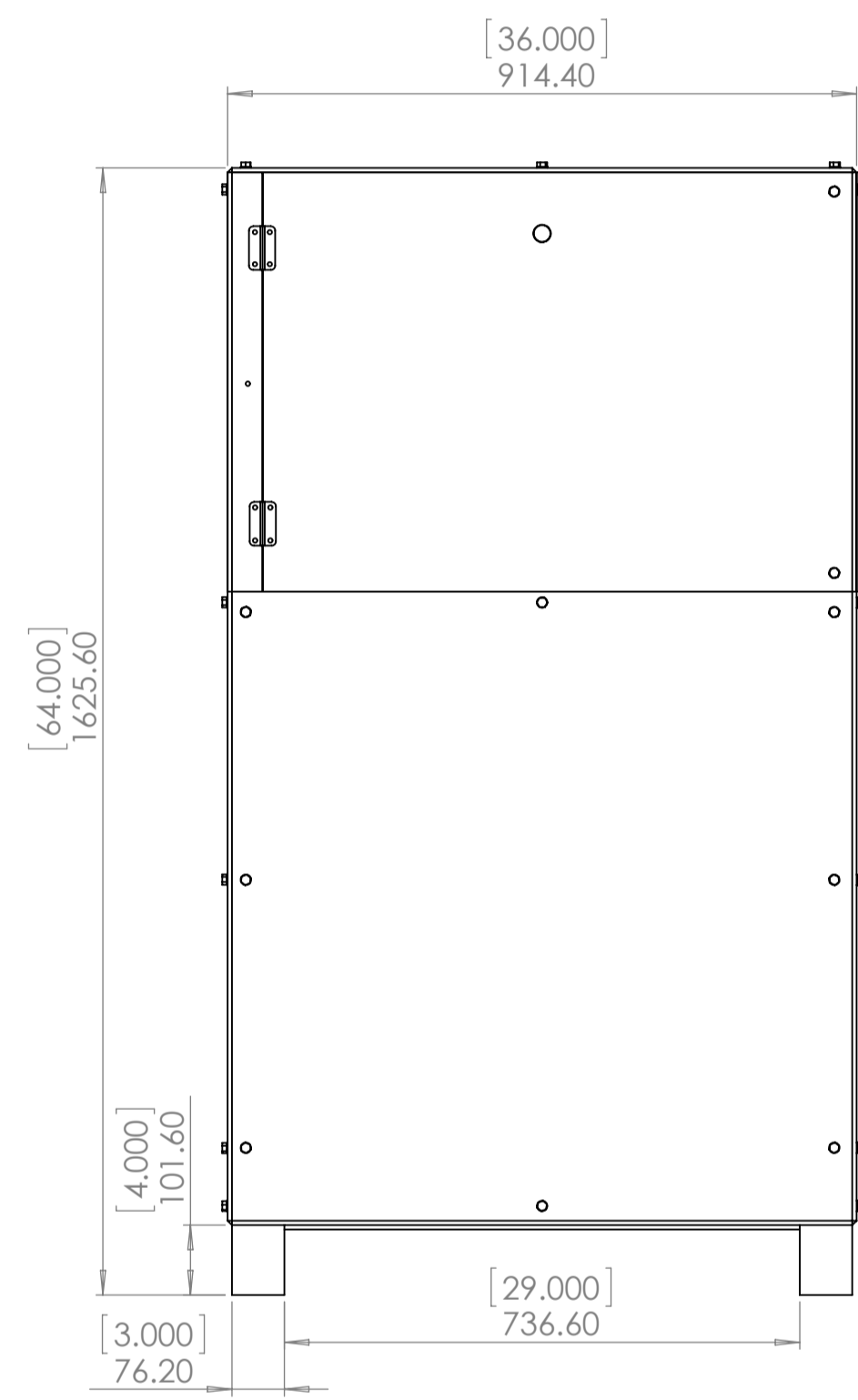
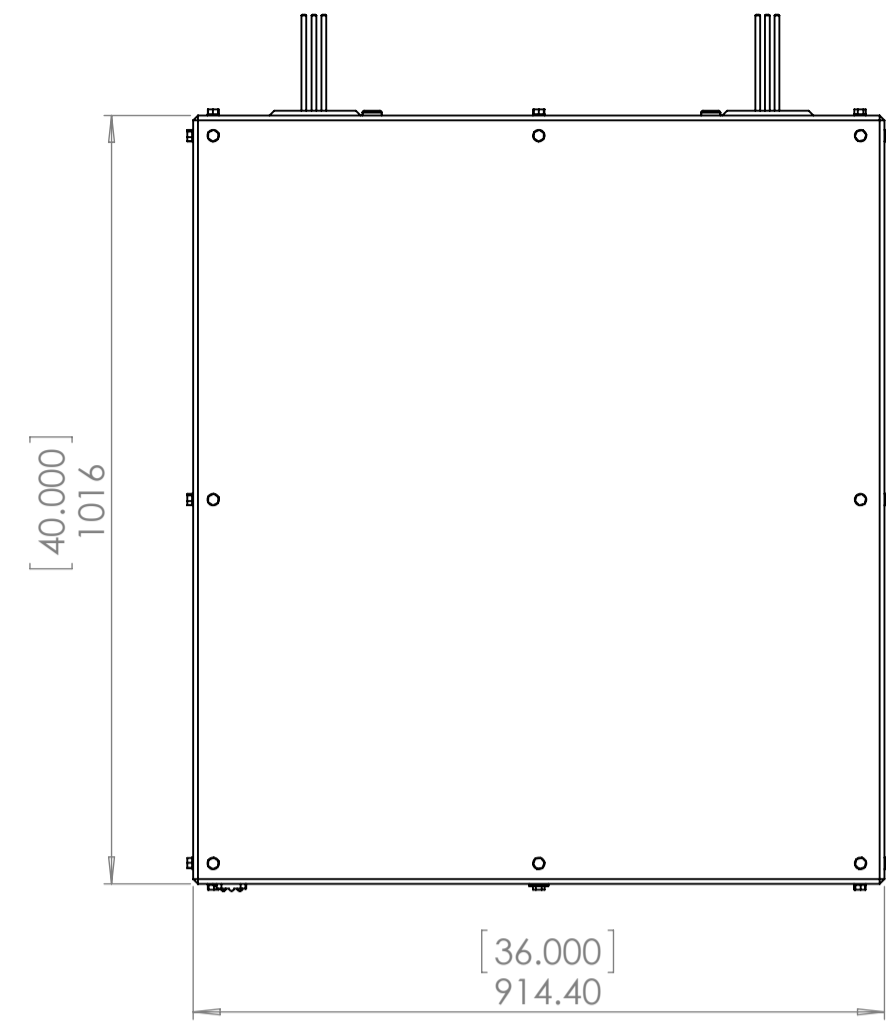
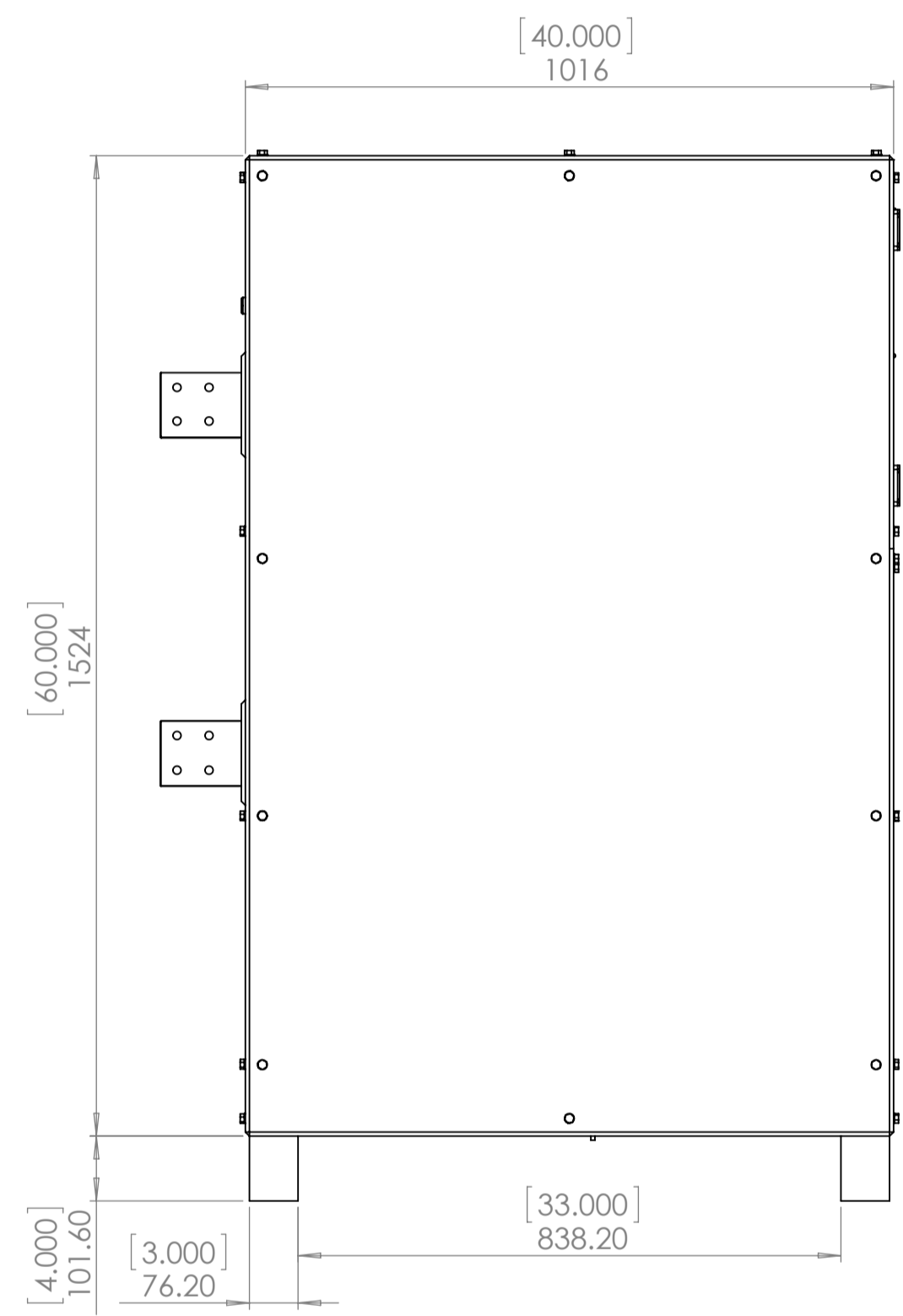


LEFT



TOP





UNLESS OTHERWISE SPECIFIED: DIMENSIONS ARE IN MILLIMETERS SURFACE FINISH: TOLERANCES: LINEAR: ANGULAR:		FINISH:	DEBUR AND BREAK SHARP EDGES	DO NOT SCALE DRAWING	REVISION
DRAWN: SO			SIGNATURE:	DATE: 6-12-19	ALDONEX, INC. TITLE: ENCLOSURE
CHK'D: SO			SIGNATURE:	DATE: 6-12-19	
APP'VD:			SIGNATURE:	DATE:	
MFG:			SIGNATURE:	DATE:	
Q.A.:			SIGNATURE:	DATE:	
MATERIAL: POLY				DWG NO. P-3W CABINET	A1
WEIGHT:				SCALE: 1:10	SHEET 1 OF 1