



DT-Relay Expansion

General Overview:

The Relay Expansion Board is a cost-effective way of duplicating many signals. The board was designed to receive and transmit communication on both RS485 and RS232.

On the RS485 Bus the boards can be stacked to increase the number of potential free signals created.

The Relay Expansion board offers a fantastic interface between PC based software and real world switching and Control.

In addition to the above the Relay Expansion board can be programmed to run a specific timed sequence of switches as needed differentiation between all 20 relays.

The Relay Expansion Board can be added to our Digital Input card to increase flexibility as needed.

The Expansion Board can be programmed to accommodate your required protocol.

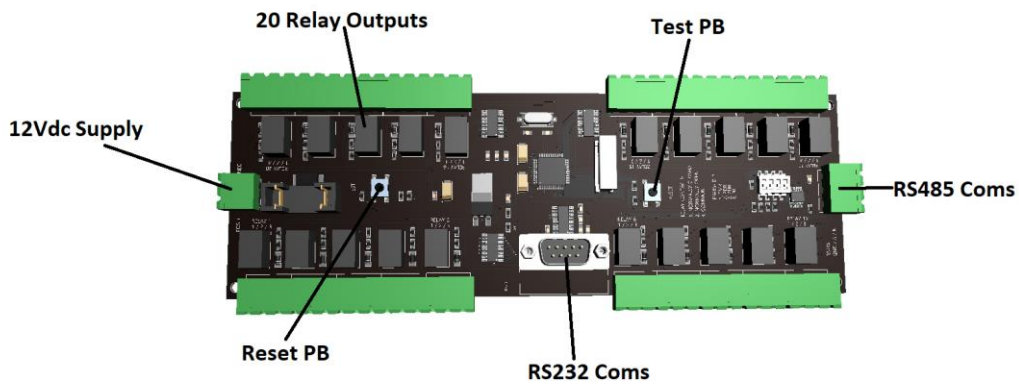
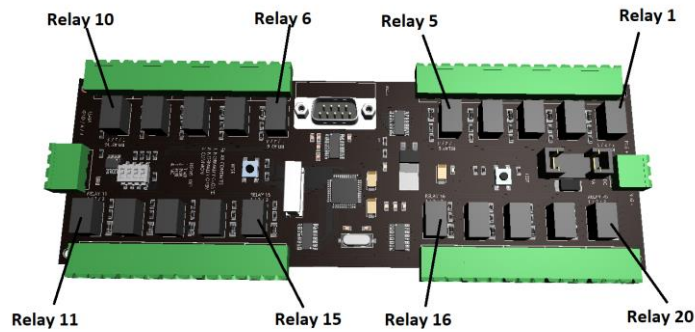
General Specifications:

1. Supply input voltage: 12Vdc.
2. Supply input current: Maximum 2A.
3. Clock speed: 8 MHz
4. Output option 1: 20 x Relay Contacts 1A@30VDC.
5. Display: LED indication for each relay.
6. Inputs: 1 x Test Pushbutton.
7. Protection: 1 x Glass fuse.
8. Reverse Polarity protection: Yes.
9. Termination Resistor: Built in termination resistors, selectable via Dip Switch.
10. Programming: 2x5 header pin ICSP.

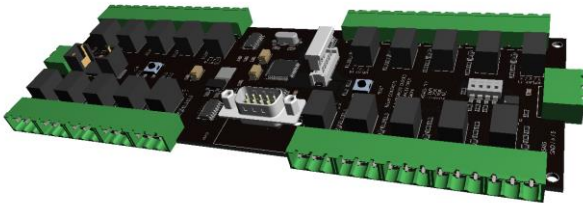
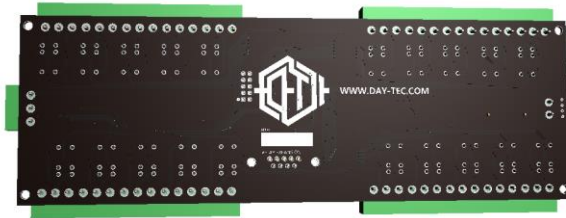
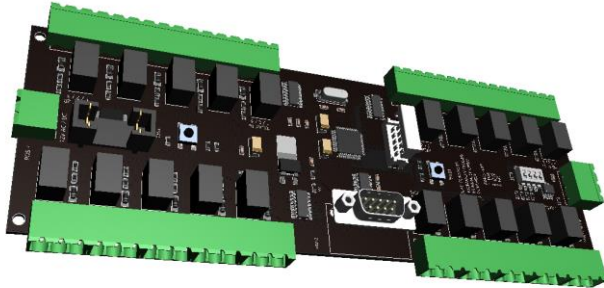
Relay Pin-Out:

Each Relay accommodates a Common, Normally open and Normally closed potential free contact.

Each connection is marked on the PCB for ease of reference and connection.



General Layout of PCB:



Contact us:

For further details or requirements please contact us at Info@day-tec.com

Email: info@day-tec.com

Web: www.day-tec.com

Page: 3 of 4

