

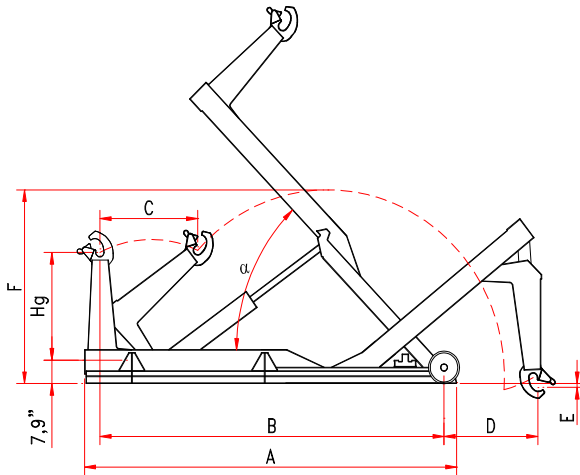


b.o.b. Sistemi Idraulici S.p.A.

unilift®

COMPANY WITH
QUALITY SYSTEM
CERTIFIED BY DNV GL
= ISO 9001 =

HOOKLIFT « A 14.000 »



MODEL	A 14.000 C	A 14.000 N	A 14.000 L	A 14.000 XL	A 14.000 XXL
Hg	35,63" (905 mm)	35,63" (905 mm)	35,63" (905 mm)	35,63" (905 mm)	35,63" (905 mm)
A	124,6" (3.165 mm)	132,48" (3.365 mm)	140,35" (3.565 mm)	148,22" (3.765 mm)	156,1" (3.965 mm)
B	116,14" (2.950 mm)	124,01" (3.150 mm)	131,88" (3.350 mm)	139,76" (3.550 mm)	147,63" (3.750 mm)
C	33,66" (885 mm)	33,66" (885 mm)	33,66" (885 mm)	33,66" (885 mm)	33,66" (885 mm)
D	36,81" (935 mm)	28,93" (735 mm)	21,06" (535 mm)	30,9" (785 mm)	23,03" (585 mm)
E	3,93" (100 mm)	3,93" (100 mm)	3,93" (100 mm)	5,9" (150 mm)	5,9" (150 mm)
F	65,15" (1.655 mm)	65,15" (1.655 mm)	65,15" (1.655 mm)	70,86" (1.800 mm)	70,86" (1.800 mm)
Weight*	1.958 lb (890 Kg)	2.024 lb (920 Kg)	2.090 lb (950 Kg)	2.354 lb (1.070 Kg)	2.420 lb (1.100 Kg)
a	52°	46°	42°	52°	47°
Container min. max.	10' - 12' (3.050 - 3.650 mm)	11' - 13' (3.350 - 3950 mm)	12' - 13' (3.650 - 3.950 mm)	12' - 14' (3.650 - 4.250 mm)	13' - 15' (3.950 - 4.550 mm)
LIFTING CAPACITY	14.000 lb (6.360 Kg)	14.000 lb (6.360 Kg)	14.000 lb (6.360 Kg)	14.000 lb (6.360 Kg)	14.000 lb (6.360 Kg)
TIPPING CAPACITY	14.000 lb (6.360 Kg)	14.000 lb (6.360 Kg)	14.000 lb (6.360 Kg)	14.000 lb (6.360 Kg)	14.000 lb (6.360 Kg)

*Weight: basic hooklift weight without kit and options

The technical details shown in this sheet are indicative and can be changed by the builder without prior notice

B.O.B. Sistemi Idraulici S.p.A. – Regione Oltre Rea, 32 – 12060 Monchiero (CN) - Italia

P. I.V.A. 00496180043 - Tel.: +39 (0173) 780002/3 – Fax: +39 (0173) 780004

Internet: www.bobspa.com - E-mail: info@bobspa.com