

# CF Hardware & Seals

## PLATE NUTS - METRIC THREAD

\*Material: Stainless Steel



CF

Part Number	Size	Diagram	A	B	C	D	F
CF-PN-133M	CF1.33"(DN16)	A	20.30	7.62	13.46	3.20	M4xP0.7
CF-PN-275M	CF2.75"(DN40)	A	41.16	12.70	29.46	5.10	M6xP1.0
CF-PN-338M	CF3.38"(DN50)	B	44.45	12.70	27.69	5.30	M8xP1.25
CF-PN-450M	CF4.50"(DN63)	B	51.56	12.70	35.30	5.30	M8xP1.25
CF-PN-462M	CF4.62"(DN80)	B	45.80	12.70	31.60	5.30	M8xP1.25
CF-PN-600M	CF6.00"(DN100)	B	41.65	12.70	25.40	5.30	M8xP1.25
CF-PN-800M	CF8.00"(DN160)	B	44.45	12.70	28.45	5.30	M8xP1.25
CF-PN-1000M	CF10.00"(DN200)	B	44.45	12.70	30.23	5.30	M8xP1.25

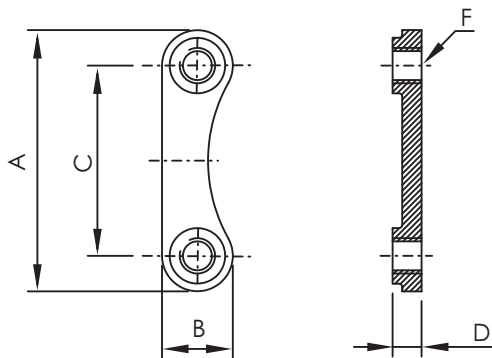


Diagram A

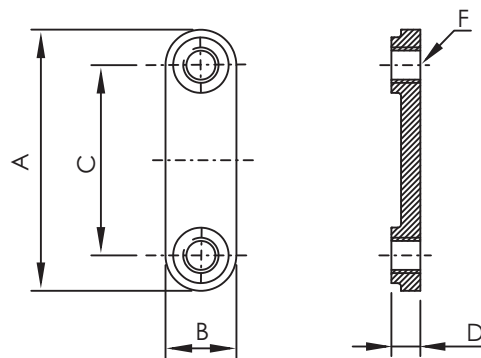


Diagram B

# CF Hardware & Seals

## PLATE NUTS - INCH THREAD

\*Material: Stainless Steel



Part Number	Size	Diagram	A	B	C	D	F
CF-PN-133	CF1.33"(DN16)	A	20.30	7.62	13.46	3.20	8-32
CF-PN-275	CF2.75"(DN40)	A	42.16	12.70	29.46	5.10	1/4-28
CF-PN-338	CF3.38"(DN50)	B	44.45	12.70	27.69	5.30	5/16-24
CF-PN-450	CF4.50"(DN63)	B	51.56	12.70	35.30	5.30	5/16-24
CF-PN-462	CF4.62"(DN80)	B	45.80	12.70	31.60	5.30	5/16-24
CF-PN-600	CF6.00"(DN100)	B	41.65	12.70	25.40	5.30	5/16-24
CF-PN-800	CF8.00"(DN160)	B	44.45	12.70	28.45	5.30	5/16-24
CF-PN-1000	CF10.00"(DN200)	B	44.45	12.70	30.23	5.30	5/16-24

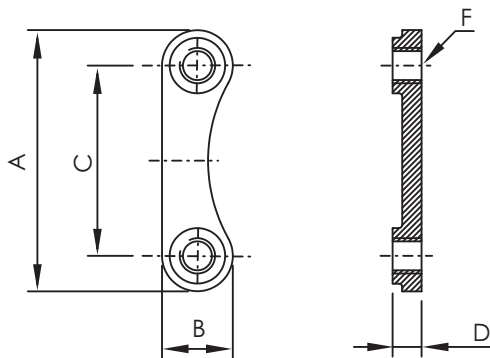


Diagram A

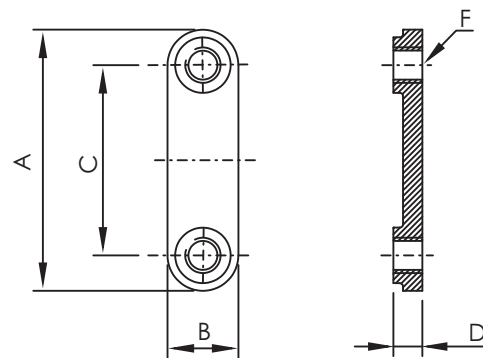


Diagram B

CF