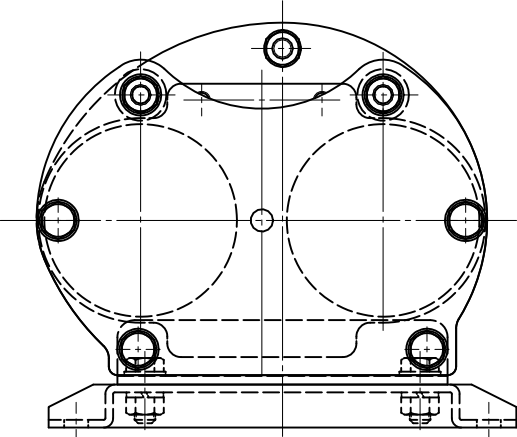
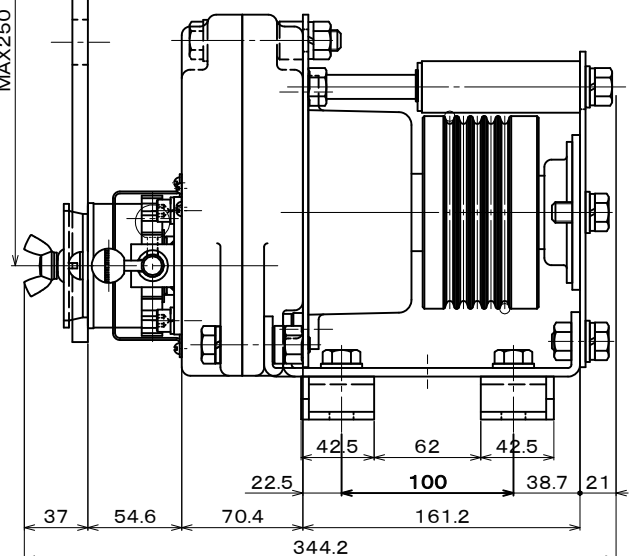
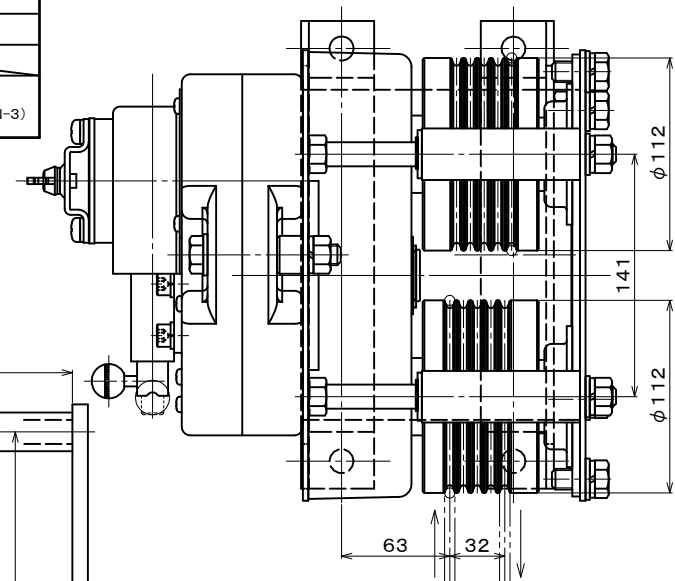
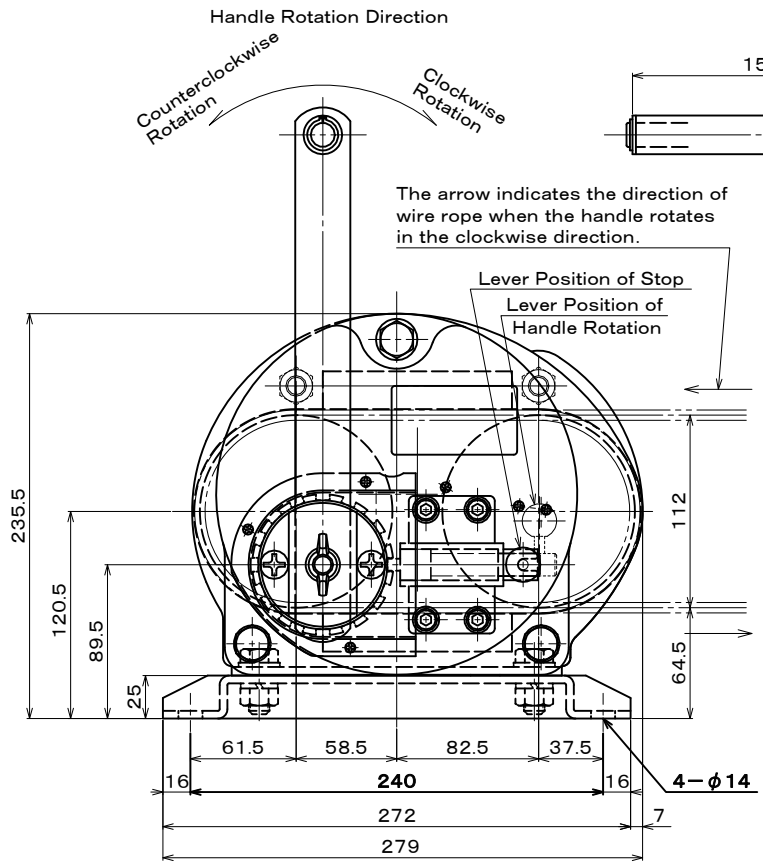


Specifications			(The wire rope composition is a manufacturer recommendation.)	
Wire Rope Tension	4,900N (=500kgf)	Handle Force	Handle Length 250mm	97N (=9.9kgf)
Wire Rope	φ 6mm (6 × 37), JIS		Wire Rope Tension 4,900N	
Gear Ratio	1 / 13.3	Standard Accessories		
Handle Length	250mm (Effective Max.)	One Handle		
Weight	About 30kg (Body+Handle)	Painting	Baked Enamel, Two Coats	
			Painting Color Drum : Dark Gray (Munsell N-3) Others : Silver Metallic	

- ※The brake of this winch is manually operated latching stopper brake.
Release the stopper brake when you do handle operation.
- ※The latching brake is for horizontal pulling work only.
This winch cannot be used for lifting work.
Never use for lifting work, it could result in accident or failure.



△ x		図面番号 / DRAWING No.	ME5L-170309-01E	改訂番号 / REVISION No.	00	お客様 / CUSTOMER		符号 MARK	項目 PARTICULARS	材料 MATERIAL	数量 QTY	単体重量 (kg) PER ONE WEIGHT	合計重量 (kg) TOTAL WEIGHT	備考 REMARKS
△ x		承認 / APPROVED	検図 / CHECKED	作成 / DRAWN	図面名 / TITLE	MAXPULL ENDLESS HAND WINCH FOR BOTH DIRECTION PULLING MODEL ME-5-L MANUALLY OPERATED LATCHING STOPPER BRAKE			投影法 / PROJECTION METHOD 第三角法 THIRD ANGLE PROJECTION 尺度 / SCALE 台数 / QTY	MAXPULL MACHINERY & ENGINEERING CO. LTD. マックスプル工業株式会社				
△ x		設計部 '17.03.09 米澤	設計部 '17.03.09 松嶺	設計部 '17.03.09 武松										
△ x														
改訂 / REVISION														