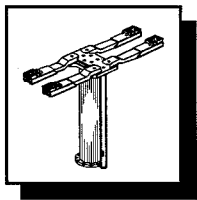




# Lift Repair Catalog



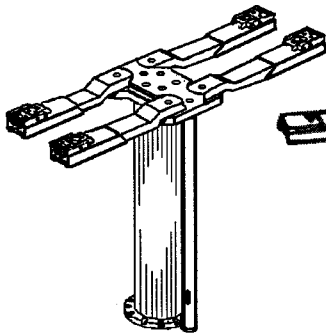
LRC9755F

S V I International, Inc. - Lift Repair Catalog

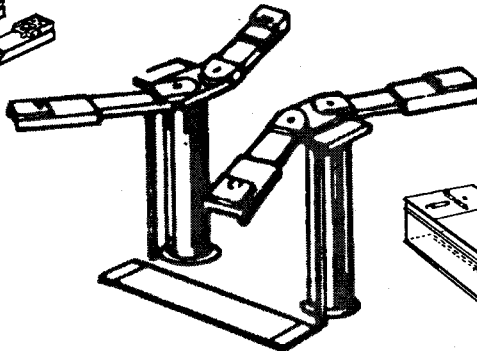
May 2001

## For Rotary In-Ground Lifts

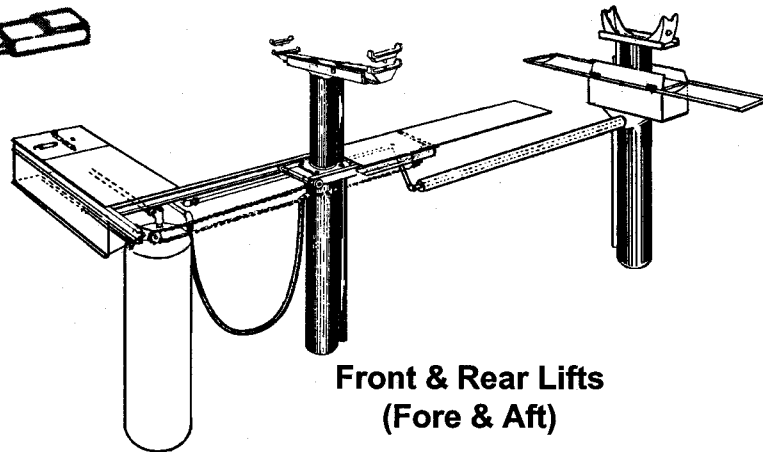
**Special Note:** SVI vows to continue to supply most all repair parts for Rotary Lifts including those discontinued by the O.E.M. In some cases, we may need your help in the form of a sample part. Please call for details.



Single Post Lifts



Side by Side Lifts



Front & Rear Lifts  
(Fore & Aft)

### Contents

Lift Packing Quick Reference	page 2-3
Lift Air/Oil Tanks	page 4
Oil Control Valves and Parts (Single Post and Side by Side Lifts)	page 4
Superstructure Arms, Sleeve and Adapters, Bolsters	page 5
Single Post 10-5/8" Lift Repair Parts	page 6
Twin Post Side by Side Lift Repair Parts	page 6-7
Drop-in Rack & Pinion Eq. Assy. for DTO Lifts	page 8
Two Post Fore and Aft AP50 Lift Repair Parts	page 9
Two Post Fore and Aft AC60, AT70 Lift Repair Parts	page 10
Two Post Fore and Aft AT1012 Lift Repair Parts	page 11
Oil Control Valves (Moveable Piston Fore and Aft Lifts)	page 12
Ratchet Assembly Components (Moveable Piston Lifts)	page 13
Air Operated Multi Position Lift Locks and Struts	page 13

Entire Contents Copyright © S V I International, Inc. 2001

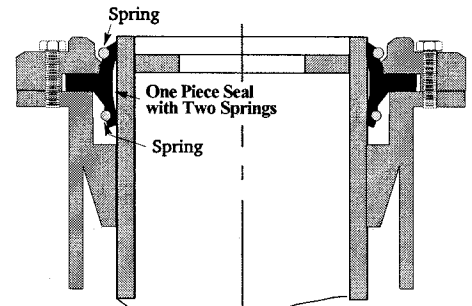
To Order Call: 800 321-8173 or 630-365-9250 / Fax: 800-899-1784 or 630-365-2809

All names, numbers, symbols and descriptions are used for reference purposes only. It is not implied that any part listed is the product of these manufacturers, however, some parts may be the actual product of these manufacturers.

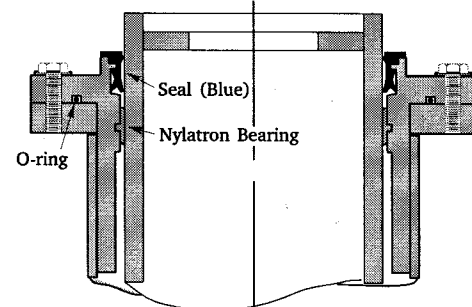
# Repair Parts for Rotary Lifts

## Lift Packing Quick Reference

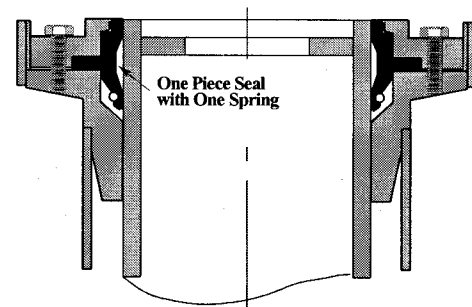
S V I Lift Pkg. No.	Ref. O.E.M. Part No.	Description and OEM Lift Model Numbers
<b>For 7-1/2" Plungers</b>		
BH-1777	JF218	For Front Jack on 710MLS. For Serial Numbers JF19 thru JF122. Must use JF34 O-ring.
BH-9756-11	JF611	Packing Gland
<b>For 8-1/2" Plungers</b>		
BH-1706	JG227	New style Blue lip seal with o'ring spreader. For Models DTO28H, WABU28H, PT20H, WRP90, DTRP28H, R3U66H, AP50H & E, front post on AC60H & E, 710MLS.  For serial numbers ending JG188, JG189, JG191 and above. Manufactured since September 1988.
BH-1721	JG220	Double lip seal with one spring and metal insert. For Models 29ML, FP28H, DTO28H, PT20H, DTRP28H, WABU28H, WRP90, AP50H & E, front post on AC60H & E.  For serial numbers ending JG149 through JG187, plus JG190. Manufactured from August 1966 to August 1988.
BH-1721/21B	J136	JG220 seal kit plus JG620 gland and JX207 manual bleeder in a complete combo kit.  Used when converting from the old style square packing and hose style kit to the BH-1721 single spring style kit.
BH-1721-139	J139	JG220 seal kit plus JG620 gland, JX207 manual bleeder, JG36 spacer ring in a complete combo kit.  Used when converting from the double lip seal with two springs (BH-1781) to the BH-1721 single spring style kit.
BH-1721B	JG620	Aluminum Packing Gland for BH-1721 style seal.
BH-1781	JG218	Older style double lip seal with two springs for model numbers 28ML & MLS, SE8, 29ML and the 8-1/2" jack of 810ML & MLS, 811ML, 78SF & ML, FP8, VW4A & H, FP6, FP28A & H, FP7A & 5A, AP50H & E and the front jack on AC60H & E.  For jack serial numbers ending JG128 through JG148 manufactured between 1954 and 1966.
BH-1766	JK223 (8-1/2")	Square packing and hose style packings for above listed models.  For jack serial numbers ending JG118 through JG127 manufactured between 1952 and 1953.
BH-1764	JK220 (8-1/2")	Square packing and hose style packings for models 508 For jack serial numbers C100 through C4241 and M1 through M2468.



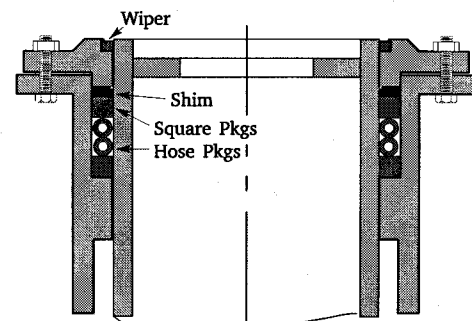
BH-1777, BH-1781



BH-1706



BH-1721, BH-1721/21B, BH-1721-139

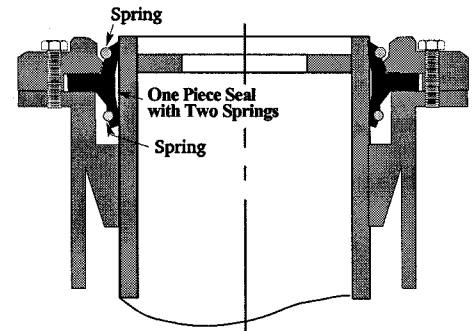


BH-1764, BH-1766

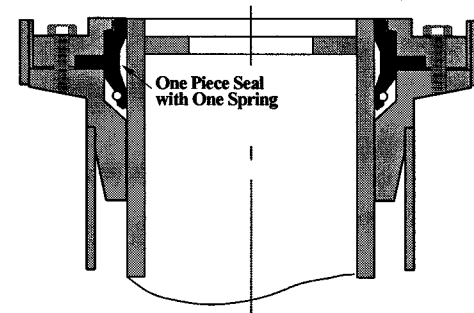
# Repair Parts for Rotary Lifts

## Lift Packing Quick Reference

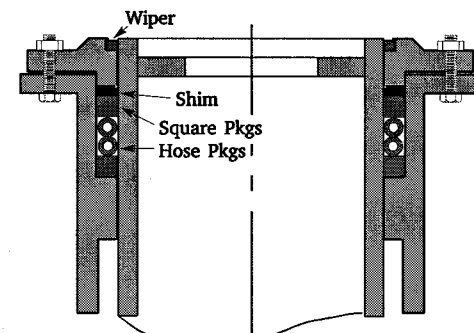
S V I Lift Pkg. No.	Ref. O.E.M. Part No.	Description and OEM Lift Model Numbers
<b>For 10-5/8" Plungers</b>		
BH-1799	JK227	New style double lip seal with one spring and metal insert. For Models 10AF & HF, 20, 31 & 35AR & HR, T110A & H, T210A & H, T210DS, FP10, 11, 12A & H, FP45 and 46 A & H, FP36, VW5A & H, VF5A & H, DY10A & H, DRT10A & H, WABU10A & H, PF10A & H, AT70 H & E, AT703E, 10-5/8" plungers on AT10210E, AT10210DSE; the rear jack only on AC60 H & E, 810ML, 810MLS, 811ML, 710MLS; the front jack only on AT1012E and AT1012DSE.  For Jack serial numbers ending JK1113 and above manufactured from August 1966 to present.
BH-1799/99B	J134	JK227 seal plus JK622 gland and JX207 manual bleeder in a complete combo kit.  Used when converting from earlier versions to the current BH-1799 style packing kit.
BH-1799B	JK622	Aluminum Packing Gland for BH-1799 style seal.
BH-1767	JK225	Older style double lip seal with two springs for models listed above.  For Jack serial numbers ending JK158 through JK1112, manufactured from 1954 to September 1966.
BH-1766	JK223 (10-5/8")	Square packing and hose style packings for above listed models.  For Jack serial numbers ending JK135 through JK157 manufactured between 1952 and 1953.
BH-1765	JK221	Square packing and hose style packings for above listed models.  For Jack serial numbers ending JK124 through JK134, also numbers preceded by W or ending W5-W8.
BH-1774-CA	ACS-1580	Used on older style Rotary/Dover lift, primarily in Canada. The kit includes (4) chevron packings, wiper and gasket.  Used on models FP-47A & H with serial numbers W-1029 through W-2489.
BH-9762-81	JK238	New Style - Lip seal w/ o-ring spreader wiper is incorporated in the seal.
<b>For 12-5/8" Plungers</b>		
BH-1708	JL220	Double lip seal with two springs for all 12-5/8" truck and bus lifts. Model numbers T112, T212, T212DS, LS and rear jack only for T1012, AT1012E, AT1012DSE.  For Jack serial numbers ending JL134 and above. On jack serial numbers prior to JL134 please order one BH-9771-01 gland ring with the seal to convert from the old style to the current version.



BH-1767, BH-1708



BH-1799, BH-1799/99B



BH-1765, BH-1766

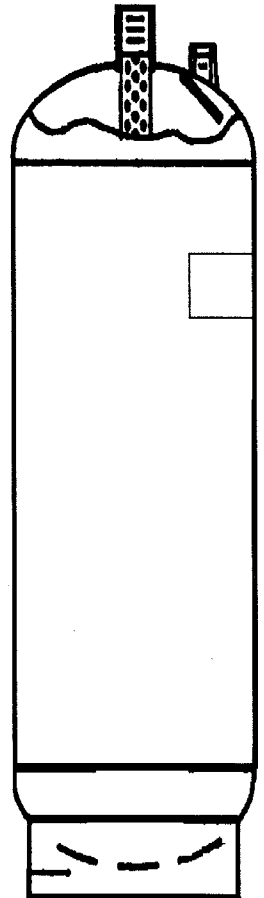
To Order Call: 800 321-8173 or 630-365-9250 / Fax: 800-899-1784 or 630-365-2809

# Repair Parts for Rotary Lifts

## Air/Oil Tanks

Add "FG" to part number for Fiberglass Coating

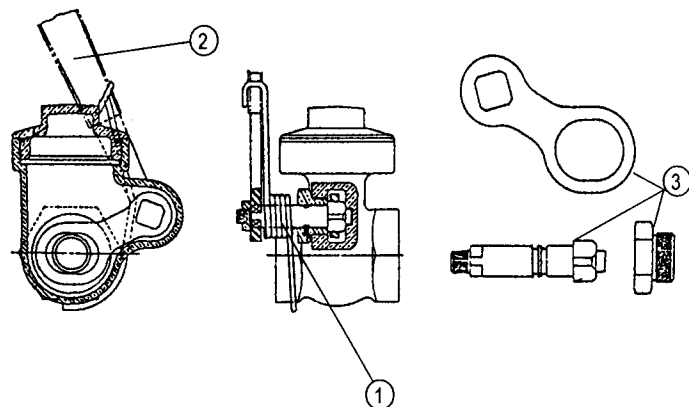
SVI Tank #	Ref. OEM Tank No.	Tank Dimensions			Used on Lift Models
		Gal. Capacity	Overall Width	Overall Height	
BH-9801	FA125	36	14"	57"	FP46H, PF10H, DRT10H, All single Post lifts
BH-9801-T	FA135	36	14"	60"	<b>Top Outlet</b> for all above listed models.
BH-9802	FA123	42	16"	52-1/2"	DTO28H, 28HR, PT20H, All Side by Side Lifts
BH-9802-T	FA134	42	16"	54-1/2"	<b>Top Outlet</b> for all above listed models.
BH-9803	FA128	52	14"	85"	AC60H
BH-9803-T	FA138	52	14"	87"	<b>Top Outlet</b> for all above listed models.
BH-9804	FA126	62	16"	75"	AT70H, T210 Series, 710MLS
BH-9804-T	FA136	62	16"	77"	<b>Top Outlet</b> for all above listed models.
BH-9805	FA127	47	14"	73"	AP50H, AP52H
BH-9805-T	FA137	47	14"	75"	<b>Top Outlet</b> for all above listed models.
BH-9806	FA129	82	20"	65"	T212H, T212LS, T212DS, AT1012H
BH-9806-T	FA139	82	20"	67"	<b>Top Outlet</b> for all above listed models.



BH-9811	FA123-8	Low Oil Control Float
BH-9811-01		Low Oil Control Float Eye Hook

## Oil Control Valve

for Full Hydraulic Single Post and Two Post Side by Side Lifts



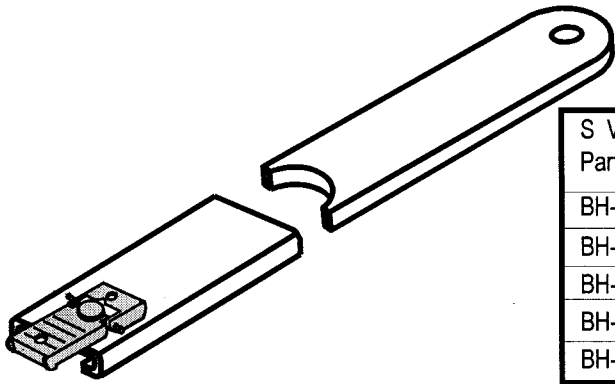
Item No.	SVI Part No.	O.E.M. Part No.	Qty Req	Description
	FK-848	FA369	1	McDonald Oil Control Valve
1	FK-848-09	FA369-5	1	Spring and Nylon Disc
2	FK-848-10	FA369-10	1	Handle
3	FK-848-04		1	Repair Kit
	included in FK-848-04	FA369-8	1	Stem
	included in FK-848-04	FA369-7	2	Stem O-rings
	included in FK-848-04	FA369-4	1	Lever
	included in FK-848-04	FA369-6	1	O'ring Retainer
	included in FK-848-04		1	Cap O-ring

To Order Call: 800 321-8173 or 630-365-9250 / Fax: 800-899-1784 or 630-365-2809



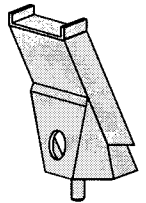
# Repair Parts for Rotary Lifts

## In-Ground Superstructure Component Identification and Cross Reference



### Adapter Components

S V I Part No.	Ref. OEM Part No.	Description	Qty Req. Per Lift
BH-9755-20	FJ671-1	High Step Adapter	4
BH-9755-21	FJ671-2	Low Step Adapter	4
BH-9755-22	FJ671-3	Adapter Pin	4
BH-9755-25	FJ671-5	Swivel Pin	4
BH-9755-26	FJ671-6	Hog Ring Clip	8



BH-9755-50 Height Extension Adapter  
Reference OEM part number FJ696

Nominal Dimensions						Description	Qty Req. Per Lift
S V I Part #	Ref. OEM Part No.	Length	Height	Inner Width			
<b>Replacement Sleeves Only</b>							
BH-9755-23	FJ671-4	19"	1-19/32"	6-1/4"	Sleeve Only: Used on BH-9755-19 Sleeve/Adapter Assembly	4	
BH-9755-24	FJ693-1	24"	1-27/32"	5-1/4"	Sleeve Only: Used on BH-9760-23 Sleeve/Adapter Assembly	4	
BH-9755-34	FJ672-4	23-5/16"	1-19/32"	6-1/4"	Sleeve Only: Used on BH-9755-27 Sleeve/Adapter Assembly	4	
BH-9755-26	FJ692-1	19"	1-27/32"	5-1/4"	Sleeve Only: Used on BH-9760-25 Sleeve/Adapter Assembly	4	
<b>Sleeve and Adapter Assemblies</b>							
BH-9755-19	FJ671	19"	1-19/32"	6-1/4"	Sleeve/Adapter Assembly for Old Style front only DTO28H Also used on Single Post FP46A & H	2 4	
BH-9755-27	FJ672	23-5/16"	1-19/32"	6-1/4"	Sleeve/Adapter Assembly for Old Style Rear only DTO28H	2	
BH-9755-28	FJ679	16"	1-19/32"	6-1/4"	Obsolete Style Sleeve/Adapter Assembly	4	
BH-9755-29	FJ680	14-11/16"	1-1/8"	6-3/8"	Obsolete Style Sleeve/Adapter Assembly	4	
BH-9755-30	FJ681	13-5/8"	1-5/8"	8-3/8"	Obsolete Style Sleeve/Adapter Assembly	4	
BH-9755-31	FJ6102	21"	1-27/32"	5-1/4"	Sleeve/Adapter Assembly for front Arms WRP90	2	
BH-9755-32	FJ6103	26"	1-27/32"	5-1/4"	Sleeve/Adapter Assembly for Rear Arms WRP90	2	
BH-9755-33	FJ678	14-1/2"	1-7/8"	6-1/8"	Sleeve/Adapter Assembly Rounded Corner Style	4	
BH-9760-23	FJ693	24"	1-27/32"	5-1/4"	Sleeve/Adapter Assembly for Current Style Rear only DTO28H	2	
BH-9760-25	FJ692	19"	1-27/32"	5-1/4"	Sleeve/Adapter Assembly for Current Style Front only DTO28H Also used on current style Single Post FP46A & H	2 4	
<b>Replacement Swivel Arms and Bolsters</b>							
BH-9755-10	FJ2199				Arm Only DTO28H, FP46A & H	4	
BH-9760-40	FJ2249				Arm Only WRP90	4	
BH-9760-19	FJ2231				Left Side Bolster for DTO28H	1	
BH-9760-20	FJ2232				Right Side Bolster for DTO28H	1	
BH-9780-01	FJ2202				Bolster Assembly for FP46A & H	1	

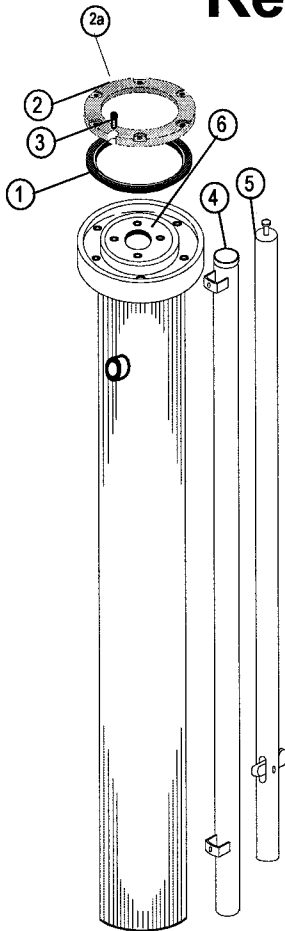
To Order Call: 800 321-8173 or 630-365-9250 / Fax: 800-899-1784 or 630-365-2809

All names, numbers, symbols and descriptions are used for reference purposes only. It is not implied that any part listed is the product of these manufacturers; however, some parts may be the actual product of these manufacturers.



# Repair Parts for Rotary Lifts

**For all 10-5/8" Single Post Lifts  
FP46A & H, DRT10A & H, PF10A & H**



Item No.	S V I Part #	Ref. OEM Part #	Qty Req	Description
1	BH-1799	JK227	1	New Style Single Spring Hoist Pkg. Kit
1	BH-1767	JK225	1	Old Style Double Spring Packing Kit
1	BH-9762-81	JK-238	1	Seal & Wiper
2	BH-1799B	JK622	1	Aluminum Packing Gland
2a	BH-9762-02	JK629	1	10-5/8 Upper Bearing Repair Kit
3	FK-60-125	JX207	1	Bleeder Plug
1-3	BH-1799/99B	J134	1	Packing/Gland/Bleeder Combo Kit
4	BH-LC-01	FA2158	1	Safety Leg Outer Casing
5	BH-EL-66	FA2107	1	Non-Rotator/Safety Leg
5	BH-TR-66	FA2111	opt	Top Release Non-Rotator
	BH-9780-73	FA73	1	Low Oil Control for Semi-Hydraulic Lifts
6	BH-9780-02	JK478	1	Plunger (Full Hydraulic Only)

For Plungers and Casings not shown please call S V I for details.

**Note:** Replacement Equalizer Frames come complete with either Slider Blocks or Roller Bearings and Latch Kit.

## For DTO28H Side by Side Twin Post Lifts 8-1/2" Plungers Parts Breakdown

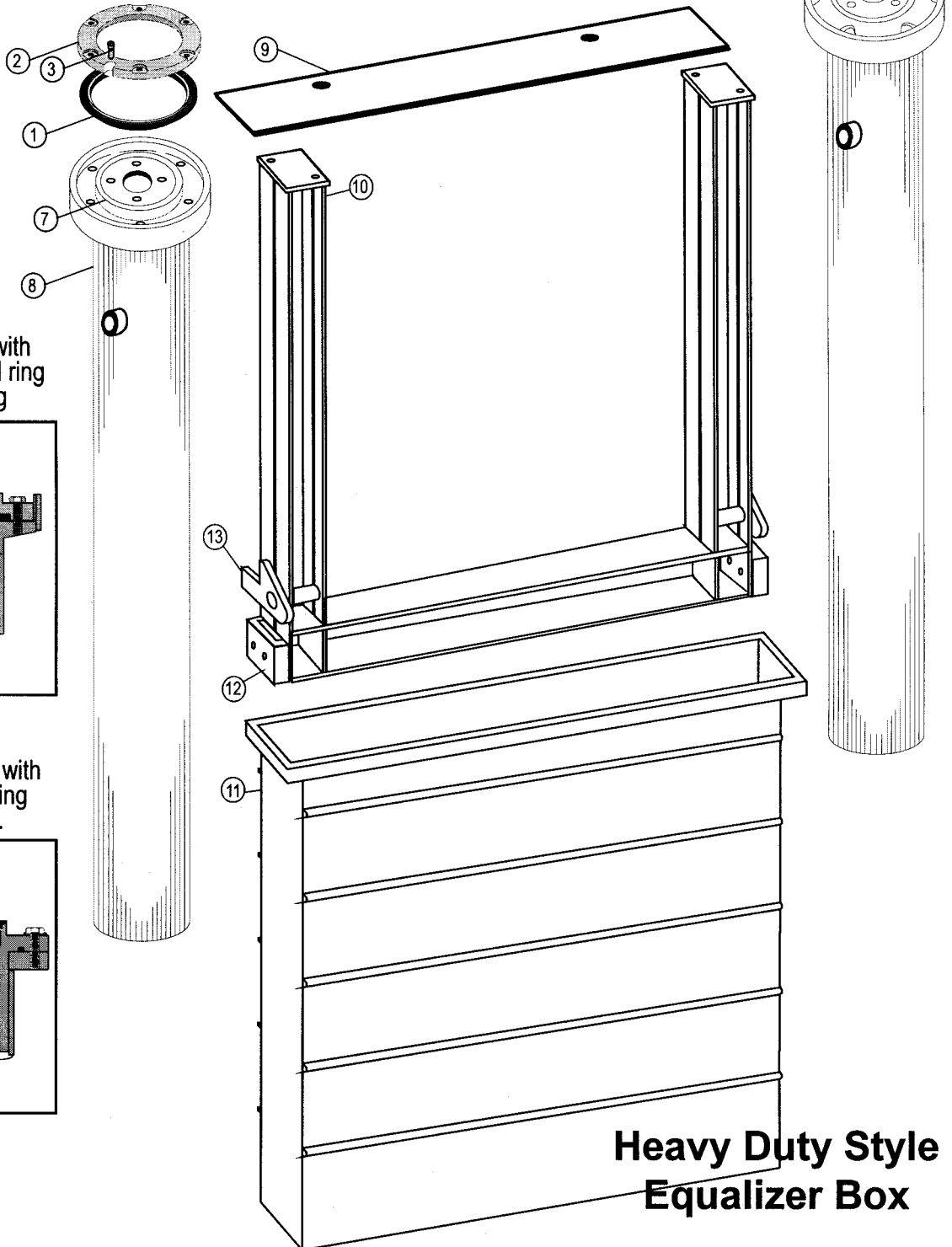
Item No.	S V I Part No.	O.E.M. Part No.	Qty Req	Description
1	BH-1721	JG220	2	Hoist Packing Kit
2	BH-1721B	JG620	2	Aluminum Packing Gland
3	FK-60-125	JX207	2	Bleeder Plug
1-3	BH-1721/21B	J136	2	Packing/Gland Combo Kit
4	BH-1706	JG227	2	New Style Hoist Pkg. Kit
5	BH-9761-04	JG766-6	4	Nylatron Bearing
4-6	BH-9762-01	JG629	Opt	Retrofit Upper Bearing Kit
7	BH-9760-12	JG445	2	Plunger Assy. New Style
7	BH-9760-11	JG436	2	Plunger Assy. Old Style

Item No.	S V I Part No.	O.E.M. Part No.	Qty Req	Description
8	BH-9760-10	JG744	2	Casings (Old Style) JG153
9	BH-9760-07	FJ38-11	1	Center Cover
10	BH-9760-05	FJ37	1	Equalizer Frame (Slider Blk)
10	BH-9760-05R	FJ37R	1	Equalizer Frame (Roller Brg)
	BH-9760-03 *	FJ37-40	2	Eq. Roller Assembly Kit
11	BH-9760-06 *	FJ38	1	57-1/2" Equalizer Box
11	BH-9760-06R	FJ311	1	Roller Style Equalizer Box
12	BH-9760-02	FJ321-5	2	Slider Block
13	BH-9760-01	FA279	1	Latch Repair Kit

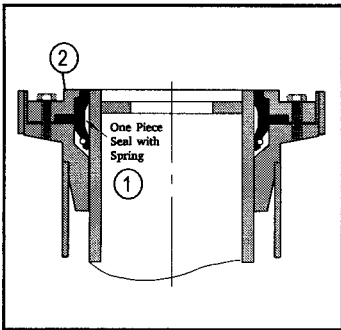
\* These components are available with Fiberglass Protection. Please add "FG" to the end of the part number.

# Repair Parts for Rotary Lifts

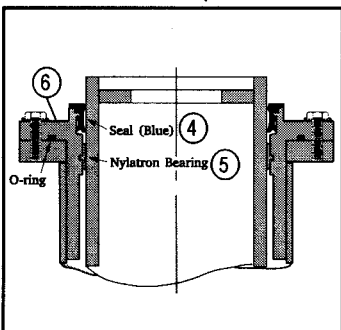
## For DTO28H Side by Side Twin Post Lifts 8-1/2" Plungers



Babbit Bearing Style with six bolt aluminum gland ring plus seal with spring



Nylatron Bearing Style with one piece upper bearing and loaded lip seal.



**Heavy Duty Style  
Equalizer Box**

# Repair Parts for Rotary Lifts

SVI worked carefully with a distributor to design a system to extend the service life of DTO28 lifts produced by Rotary. Problems start when floor cleaners and moisture cause the equalizer box to corrode. This results in backfill pouring through the rusted openings and interfering with the equalizer operation, thus hanging the lift up.

In the past, there were only three ways to deal with the problem. You either excavate and replace the corroded box at great cost, scoop out the backfill every so often or condemn the lift. This is over with SVI's new **Drop-In Rack and Pinion Equalizer Assembly for DTO lifts**.

**Order BH-9760-09 Kit for 4" Wide Box**

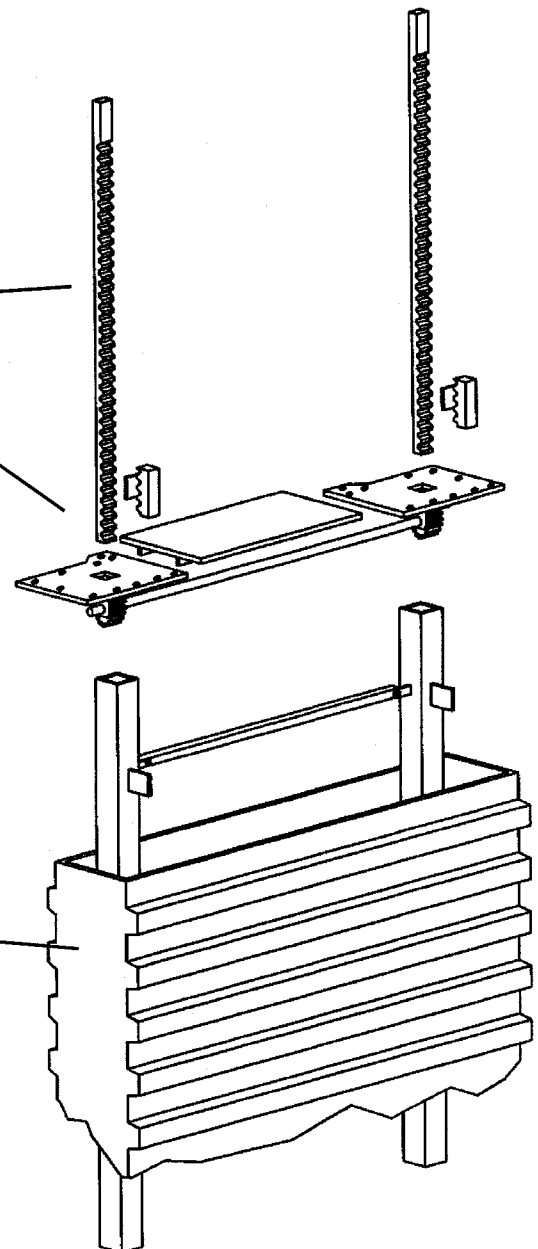
**BH-9760-10 Kit for 4-3/4" Wide Box**

## Installation is a breeze:

- 1) Remove the old equalizer frame.
- 2) Clean out the bottom of the box at the ends so rack guides fit to the bottom.
- 3) Assemble the new rack bar guide tubes to cross supports, drop in the opening and square up.
- 4) Assemble the pinion housing and shaft assembly, set in box and line up with the guide tubes.
- 5) Drill (20) 3/8" holes in the concrete using the pinion housing as a template and bolt housing down using the anchors supplied. **Note:** make sure rack bars mate properly with pinions and fit easily through the housing before drilling and bolting.
- 6) Install rack bars making sure each starts with the same tooth and bolt to bolster. You may need to elongate the bolt hole in the bolster with a torch so the rack movement is perpendicular to the plunger.
- 7) Show your customer how good the lift works again and accept thanks for solving the problem.

New system includes: rack bars, pinion gears, shaft, brackets, center cover, guide tubes, manual placement locks and fasteners.

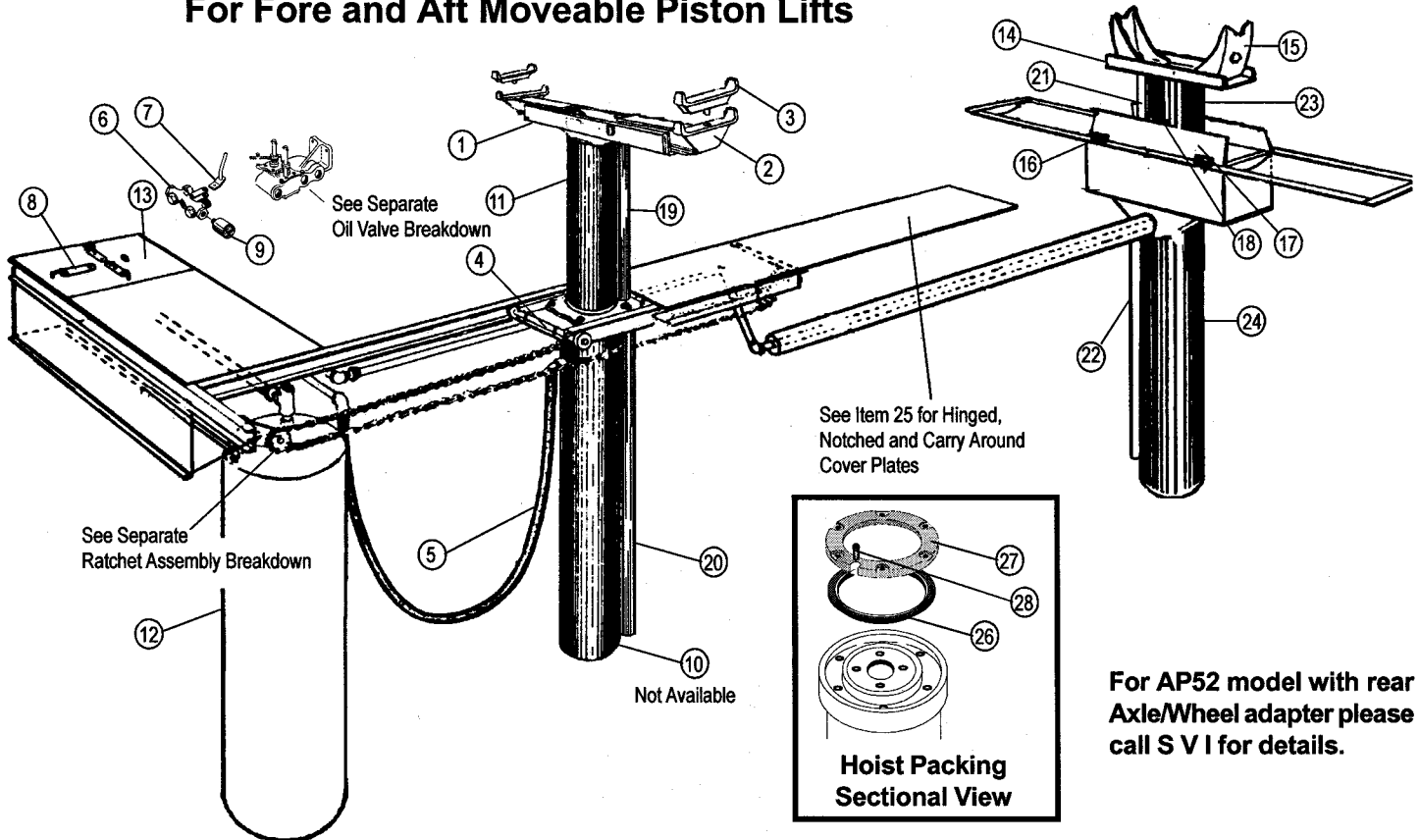
Existing Equalizer Box





# Repair Parts for Rotary Lifts

## For Fore and Aft Moveable Piston Lifts



For AP52 model with rear Axle/Wheel adapter please call S V I for details.

## For Rotary models AP50, with (2) 8-1/2" Cylinders

Item No.	S V I Part No.	O.E.M. Part No.	Qty Req	Description
1	BH-9755-53	FF241	1	Front Saddle
2	BH-9790-04	FF242	2	Front Sliding Adapter
3	BH-9790-03	FD246	2	Swivel Height Adapter
4	BH-9663-11	FF43	2	Axle Assembly
4	BH-9765-01	FF40-11	4	Axle U Bolt
5	BH-9815	FF55	1	Hydraulic Hose
6	FK-302-500	FA378	1	Air Valve Body
7	BH-9755-01	FA378-1	1	Cam & Stem Assy
8	BH-9755-02	FF512	2-3	Control Valve Handle
9	BH-9640	FA515	1	Air Valve Muffler
11	BH-9770-50	JG437	1	Front Plunger
12	BH-9805-T	FA137	1	Tank (Top Outlet)
13	BH-9770-04	FF637-7	1	Control Box Cover Plate
14	BH-9790-07	FF234	1	Rear Saddle
15	BH-9790-06	FF202-2	2	Rear Adapter
16	BH-9770-01	FF634-7	4	Door Retainer/Hinge

Item No.	S V I Part No.	O.E.M. Part No.	Qty Req	Description
17	BH-9770-03	FF634-4	2	Rear Housing Door
18	BH-9770-02	FF634-9	2	Door Rub Bar
19	BH-TR-66	FA2107	1	Front Safety Leg
20	BH-9770-62	FA2162	1	Front Safety Leg Casing
21	BH-TR-75	FA2143	1	Rear Safety Leg
22	BH-9770-58	FA2158	1	Rear Safety Leg Casing
23	BH-9760-11	JG436	1	Rear Plunger
23-24	BH-9770-10	JG168	1	Rear Cylinder Assy. (FG)
25	BH-9770-08	FF673	1	Notched Cover Plate
25	BH-9770-07	FF619-3	1	Hinged Cover Plate
25	BH-9770-06	FF672	1	Rear Cover Plate
26 *	BH-1721	JG220	2	Hoist Pkg. Single Spring
27	BH-1721B	JG620	2	Aluminum Packing Gland
28	FK-60-125	JX207	2	Bleeder Valve
26-28	BH-1721/21B	J136	2	Packing/Gland Combo Kit

\* For New Style Blue Seal see page 7 for breakdown. Order BH-1706. The O.E.M. reference number is JG227.

To Order Call: 800 321-8173 or 630-365-9250 / Fax: 800-899-1784 or 630-365-2809



# Repair Parts for Rotary Lifts

**For Rotary models AC60 with Front 8-1/2" Cylinder, Rear 10-5/8" Cylinder**

Item No.	SVI Part No.	O.E.M. Part No.	Qty Req	Description
1	BH-9755-53	FF241	1	Front Saddle
2	BH-9790-04	FF242	2	Front Sliding Adapter
3	BH-9790-03	FD246	2	Swivel Height Adapter
4	BH-9663-11	FF43	2	Axle Assembly
4	BH-9765-01	FF40-11	4	Axle U Bolt
5	BH-9815	FF55	1	Hydraulic Hose
6	FK-302-500	FA378	1	Air Valve Body
7	BH-9755-01	FA378-1	1	Cam & Stem Assy
8	BH-9755-02	FF512	2-3	Control Valve Handle
9	BH-9640	FA515	1	Air Valve Muffler
11	BH-9770-50	JG437	1	Front Plunger
12	BH-9803-T	FA138	1	Tank (Top Outlet)
13	BH-9770-04	FF637-7	1	Control Box Cover (Air/Oil)
13	BH-9770-09	FF637-8	1	Control Box Cover (Electric)
14	BH-9755-54	FD255	1	Rear Saddle
15	BH-9755-55	FD244	2	Rear Adapter
16	BH-9770-01	FF634-7	4	Door Retainer/Hinge

Item No.	SVI Part No.	O.E.M. Part No.	Qty Req	Description
17	BH-9770-13	FD625-4	2	Rear Housing Door
18	BH-9770-02	FF634-9	2	Door Rub Bar
19	BH-TR-66	FA2107	1	Front Safety Leg
20	BH-9770-62	FA2162	1	Front Safety Leg Casing
21	BH-RO-70	FA265	1	Rear Safety Leg
22	BH-9770-60	FA2160	1	Rear Safety Leg Casing
23	BH-9780-02	JK478	1	Rear Plunger
23-24	BH-9770-14	JK1142	1	Rear Cylinder Assy. (FG)
25	BH-9770-08	FF673	1	Notched Cover Plate
25	BH-9770-07	FF619-3	1	Hinged Cover Plate
25	Bh-9770-06	FF672	1	Rear Cover Plate
26 *	BH-1721	JG220	1	Front Pkg. Kit with Spring
26	BH-1799	JK227	1	Rear Hoist Packing Kit
27	BH-1721B	JG620	1	Front Packing Gland
27	BH-1799B	JK622	1	Rear Packing Gland
28	FK-60-125	JX207	2	Bleeder Valve

\* For New Style Blue Seal on front cylinder see page 7 for breakdown. Order BH-1706. The O.E.M. reference number is JG227.

**For Rotary models AT70 with (2) 10-5/8" Cylinders**

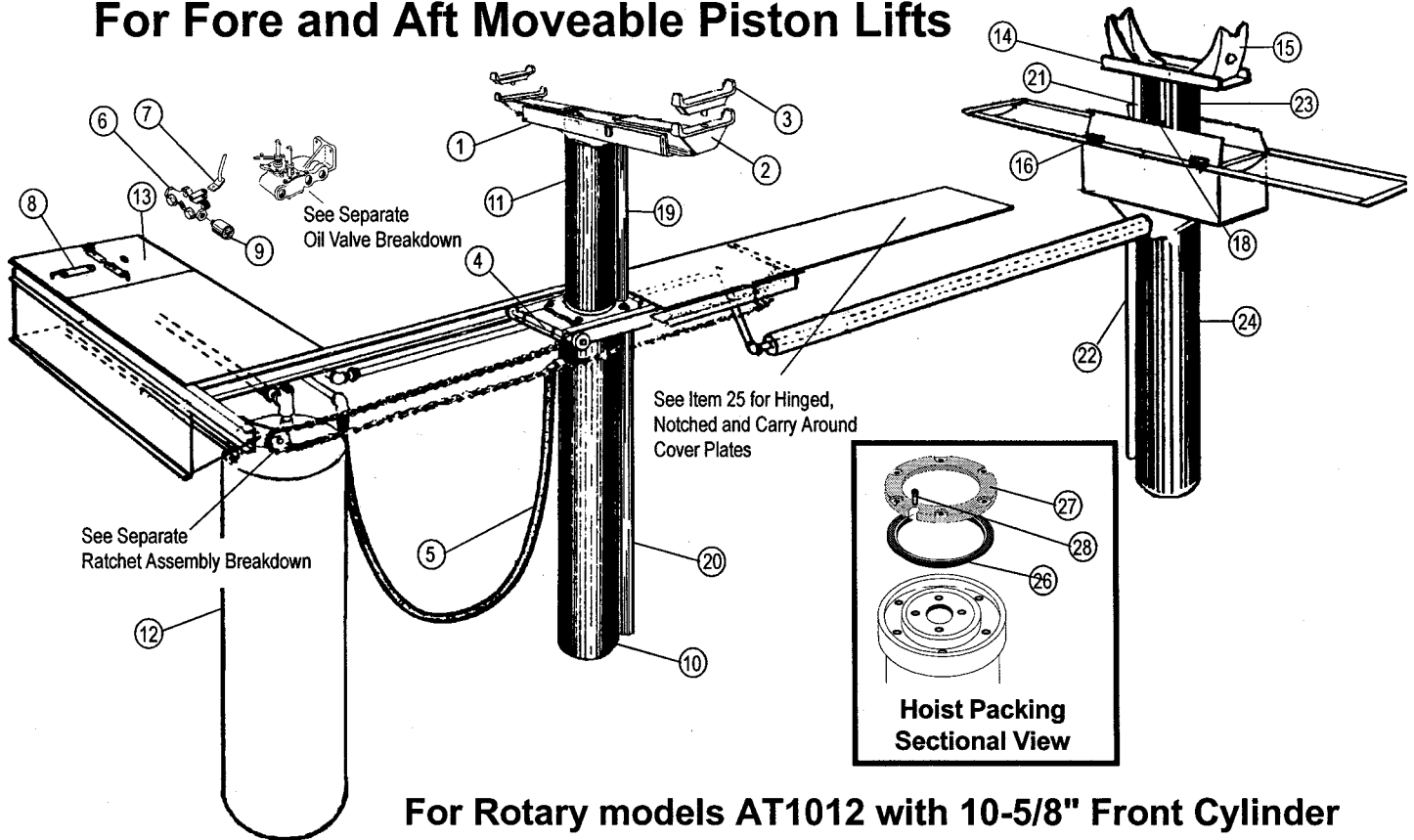
Item No.	SVI Part No.	O.E.M. Part No.	Qty Req	Description
1	BH-9755-52	FD282	1	Front Saddle
2	BH-9755-56	FD268	2	Front Sliding Adapter
3	For other Adapters and Height Extensions please call S V I			
4	BH-9663-13	FD79	2	Axle Assembly
4	BH-9663-15	FF70-23	3	Axle U Bolt
4	BH-9765-39	FD70-22	1	Chain Adjuster
5	BH-9816	FD93	1	Hydraulic Hose
6	FK-302-500	FA378	1	Air Valve Body
7	BH-9755-01	FA378-1	1	Cam & Stem Assy
8	BH-9755-02	FF512	2-3	Control Valve Handle
9	BH-9640	FA515	1	Air Valve Muffler
10	BH-9770-05	JK7103	1	Front Outer Casing
11	BH-9770-11	JK479	1	Front Plunger
10-11	BH-9770-12	JK1160	1	Front Cylinder Ass'y.
12	BH-9804-T	FA136	1	Tank (Top Outlet)
13	BH-9770-26	FD6169	1	Control Box Cover (Air/Oil)
13	BH-9770-27	FD6170	1	Control Box Cover (Electric)

Item No.	SVI Part No.	O.E.M. Part No.	Qty Req	Description
14	BH-9755-54	FD255	1	Rear Saddle
15	BH-9755-55	FD244	2	Rear Adapter
16	BH-9770-01	FF634-7	4	Door Retainer/Hinge
17	BH-9770-13	FD625-4	2	Rear Housing Door
18	BH-9770-02	FF634-9	2	Door Rub Bar
19	BH-RO-60	FA267	1	Front Safety Leg
20	BH-9770-15	FA290	1	Front Safety Leg Casing
21	BH-RO-70	FA265	1	Rear Safety Leg
22	BH-9770-60	FA2160	1	Rear Safety Leg Casing
23	BH-9780-02	JK478	1	Rear Plunger
23-24	BH-9770-14	JK1142	1	Rear Cylinder Assy. (FG)
25	BH-9770-24	FD644	1	Front Cover Plate
25	BH-9770-25	FD6178-2	1	Intermediate Cover Plate
25	BH-9770-23	FD643	1	Rear Cover Plate
26	BH-1799	JK227	2	Hoist Packing Kit
27	BH-1799B	JK622	2	Aluminum Packing Gland
28	FK-60-125	JX207	2	Bleeder Valve

**To Order Call: 800 321-8173 or 630-365-9250 / Fax: 800-899-1784 or 630-365-2809**

# Repair Parts for Rotary Lifts

## For Fore and Aft Moveable Piston Lifts



**For Rotary models AT1012 with 10-5/8" Front Cylinder and 12-5/8" Rear Cylinder**

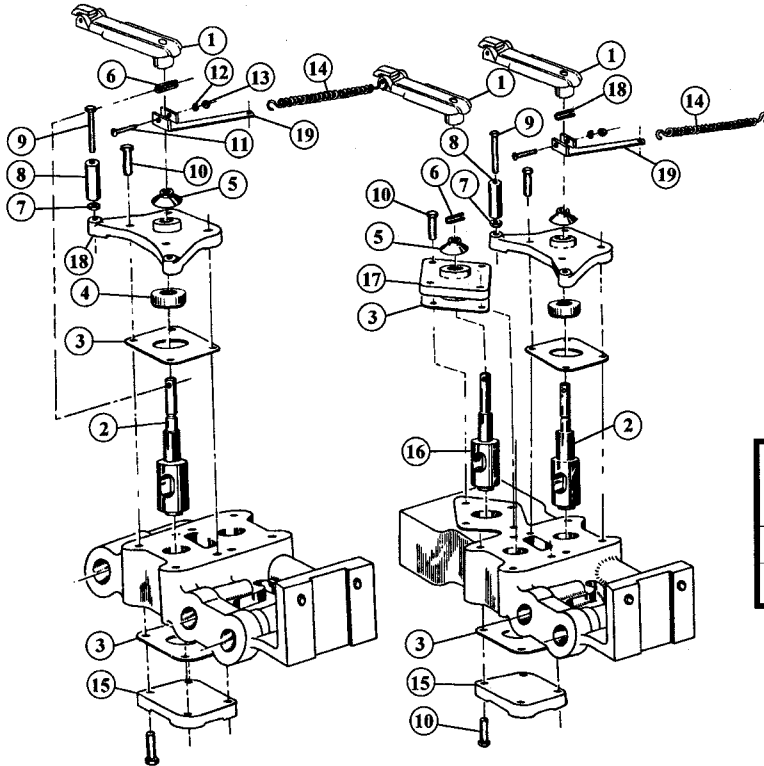
Item No.	S V I Part No.	O.E.M. Part No.	Qty Req	Description
1	BH-9755-52	FD282	1	Front Saddle
2	BH-9755-51	FD220	2	Front Adapter
3	For other Adapters and Height Extensions please call S V I			
4	BH-9663-13	FD79	2	Axle Assembly
4	BH-9663-15	FF70-23	3	Axle U Bolt
4	BH-9765-39	FD70-22	1	Chain Adjuster
5	BH-9816	FD93	1	Hydraulic Hose
6	FK-302-500	FA378	1	Air Valve Body
7	BH-9755-01	FA378-1	1	Cam & Stem Assy
8	BH-9755-02	FF512	2-3	Control Valve Handle
9	BH-9640	FA515	1	Air Valve Muffler
10	BH-9770-05	JK7103	1	Front Outer Casing
11	BH-9770-11	JK479	1	Front Plunger
10-11	BH-9770-12	JK1160	1	Front Cylinder Assy. (FG)
12	BH-9806-T	FA139	1	Tank (Top Outlet)
13	BH-9770--26	FD6169	1	Control Box Cover (Air/Oil)
13	BH-9770-27	FD6170	1	Control Box Cover (Electric)
14	BH-9755-57	FD272	1	Rear Saddle

Item No.	S V I Part No.	O.E.M. Part No.	Qty Req	Description
15	BH-9755-55	FD244	2	Rear Adapter
16	BH-9770-01	FF634-7	4	Door Retainer/Hinge
18	BH-9770-02	FF634-9	2	Door Rub Bar
19	BH-RO-60	FA267	1	Front Safety Leg
20	BH-9770-15	FA290	1	Front Safety Leg Casing
21	BH-RO-70	FA265	1	Rear Safety Leg
22	BH-9770-60	FA2160	1	Rear Safety Leg Casing
23	BH-9771-94	JL444	1	Rear Plunger
24	BH-9770-16	JL744	1	Rear Casing
23-24	BH-9770-17	JL162	1	Rear Cylinder Assy. (FG)
25	BH-9770-24	FD644	1	Front Cover Plate
25	BH-9770-25	FD6178-2	1	Intermediate Cover Plate
25	BH-9770-23	FD643	1	Rear Cover Plate
26	BH-1799	JK227	1	Front Hoist Packing 10-5/8"
26	BH-1708	JL220	1	Rear Hoist Packing 12-5/8"
27	BH-1799B	JK622	1	Front Packing Gland
27	BH-9771-01	JL612	1	Rear Packing Gland
28	FK-60-125	JX207	2	Bleeder Valve

**To Order Call: 800 321-8173 or 630-365-9250 / Fax: 800-899-1784 or 630-365-2809**

# Repair Parts for Rotary Lifts

## Oil Control Valves for Twin Post Moveable Piston Lifts



### Complete Oil Control Valves

S V I Part No.	Ref. O.E.M. Part No.	Description
BH-9773-49	FA349	Two Core Oil Control Valve
BH-9773-50	FA350	Three Core Oil Control Valve

Item No.	S V I Part No.	O.E.M. Part No.	Qty Req	Description
1	BH-9755-02	FF512	2-3	Oil Valve Handle Only
2	BH-9629-01	FA349-7	2	Oil Valve Core (Aluminum)
2	BH-9629-02	FA349-7	opt	Oil Valve Core (Brass)
2	BH-9629/OS-1	FA349-7	opt	Oversize Valve Core (Alum.)
2	BH-9629/OS-2	FA349-7	opt	Oversize Core (Brass)
3	BH-9634	FA349-4	4-6	Control Valve Gasket
4	BH-9635	FA349-3	2-3	Stem Seal
5	BH-9636	FA349-2	2-3	Packing Protector Cap
6	BH-9637		2-3	Roll Pin
2-6	BH-9629		2	Repair Kit for One Core
2-6	BH-9629/OS		opt	Oversize Core Repair Kit
7	BH-9629-29		1	Hex Nut
8	BH-9629-28	FA349-5	1	Swing Arm Stop Hose
9	F-HC-031-24-2250		1	Capscrew
10	F-HC-031-18-1000		7-11	Capscrew

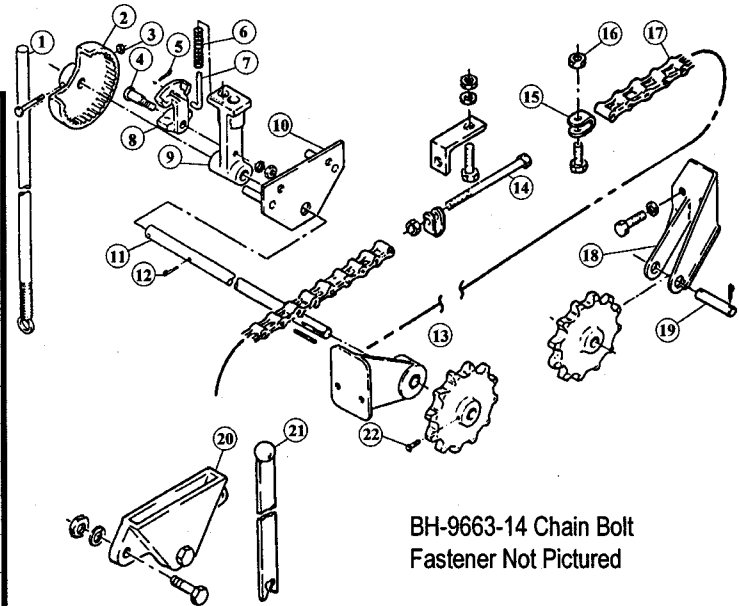
Item No.	S V I Part No.	O.E.M. Part No.	Qty Req	Description
11	F-MS-0010-24-1250		2	Machine Screw
12	F-LW-0187		2	Lockwasher
13	F-HN-0010-24		2	Hex Nut
14	BH-9633	FA349-6	2	Deadman Spring
15	BH-9629-35		2-3	Valve Cap
16	BH-9631-01	FA350-3	1	Directional Core (Alum.)
16	BH-9631-02	FA350-3	opt	Directional Core (Brass)
16	BH-9631/OS-1		opt	Oversize Core (Alum.)
16	BH-9631/OS-2		opt	Oversize Core (Brass)
3-6,16	BH-9631		1	Repair Kit for Feed Core
3-6,16	BH-9631OS		opt	Oversize Core Repair Kit
17	BH-9629-25	FA350-13	1	Flange
18	BH-9629-26	FA349-8	2	Flange
19	BH-9629-33	FA349-9	2	Spring Lever

To Order Call: 800 321-8173 or 630-365-9250 / Fax: 800-899-1784 or 630-365-2809

# Repair Parts for Rotary Lifts

## Manual Ratchet Assembly Components

Item No.	S V I Part No.	O.E.M. Part No.	Qty Req	Description
2,8	BH-9664		1	Ratchet Wheel/Dog Kit
2-9	BH-9666		1	Ratchet Assembly Kit
1	BH-9665-32	FD70-19	1	Shift Lever
2	BH-9663-02	FD70-10	1	Wheel
3	F-HC-0312-18-2250		1	Capscrew
3	F-HN-0312-18		1	Hex Nut 5/16-18
4	BH-9665-05	FD70-9	1	Pin
4	F-HN-0375-16		1	Hex Nut 3/8-16
5	F-CP-093-500		1	Cotter Pin
6	BH-9665-09	FD70-7	1	Spring
7	BH-9665-10	FD70-6	1	Spring Guide Pin
8	BH-9665-11	FD70-8	1	Ratchet Dog
9	BH-9663-03	FD70-4	1	Ratchet Dog Lever
10	BH-9765-13	FD746-4	1	Hanger Plate
11	BH-9765-02	FD746-2	1	Ratchet Shaft 1"
11	BH-9772-01	FD746-3	1	Shaft Guide (not pictured)
12	BH-9665-27		1	Cotter Pin
13	BH-9765-03	FD746-1	1	Front Hanger Assembly
14	BH-9665-26		1	Adjusting Bolt
15	BH-9665-24		2	Chain Fastener
16	F-HN-0500-13		2	Hex Nut
17	BH-9665-13		1	26' Ratchet Chain
18	BH-9665-15		1	Hanger
19	BH-9665-23		1	Hanger Pin



Item No.	S V I Part No.	O.E.M. Part No.	Qty Req	Description
20	BH-9665-31	FF621	1	Manual Shifting Bracket
21	BH-9665-16	FF620	1	Manual Shift Lever
22	BH-9665-30		2	Set Screw for Sprocket
23	BH-9765-04	FD70-11	2	Sprocket
24	BH-9665-25		1	Chain Anchor Lug
25	F-HC-0500-13-1250		1	Hex Head Cap Screw
26	F-LW-0500		1	Lockwasher

For Hydraulic Power Drive Ratchet System: Most of the above listed items are used on the Hydraulic Drive System as well. S V I also offers the control valve assembly for the hydraulic drive. Please order S V I part number BH-9666-10 which references O.E.M. number FD747-2.

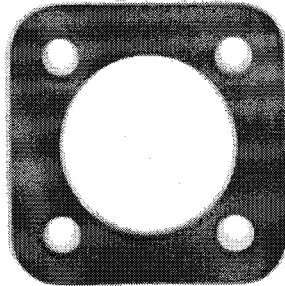
## Air Operated Multi Position Lift Lock and Struts

S V I Part Number	Ref. OEM Part No.	Description
BH-9775-01	FA299-1	Air Lock Base Plate
BH-9775-02	FA299-2	Dog and Shaft Assembly
BH-9775-03	FA2149-6	Clevis Assembly
BH-9775-04	FA299-16	Drive Arm
BH-9775-05	FA2106-3	Spring Retaining Washer
BH-9775-06	FA299-3	Spring
BH-9775-07	FA299-15	Air Cylinder
BH-9775-11	FA2106-10	Air Cylinder for AT-10210 Rear

S V I Part Number	Ref. OEM Part No.	Description
BH-9775-30	FA2100	Lift Lock Strut 69-1/4" Long
BH-9775-31	FA2105	Lift Lock Strut 80-1/2" Long
BH-9775-32	FA2127	Lift Lock Strut 75-3/4" Long
BH-9775-33	FA2128	Lift Lock Strut 84-3/4" Long
BH-9775-34	FA2132	Lift Lock Strut 80-1/2" Long

To Order Call: 800 321-8173 or 630-365-9250 / Fax: 800-899-1784 or 630-365-2809

***You need this . . .***



You don't have the part number, but SVI sales professionals can still find the part. Offering over 12,000 parts like this gasket, our sales pros are cross-trained on nearly every in-ground and surface mount lift in use today. Convenience like this has made SVI the leader in lift repair parts throughout North America. From four ***"Ready Ship"*** warehouses to producing obsolete parts - SVI has earned the reputation as your **Direct Fit** source. **SVI is your Answer!**



**SVI International, Inc.**  
**LIFT REPAIR PARTS**

**ATLANTA - BALTIMORE - CHICAGO - LOS ANGELES**

Main Office: 800 Hicks Drive • Elburn, Illinois 60119 • 800-321-8173 • Fax 800-899-1784

# To The 4<sup>th</sup> Power

Atlanta  
Baltimore  
Chicago  
Los Angeles



4X the shipping capabilities  
4X the convenience  
4X the experience  
4X the inventory

# **Repair Parts for Rotary Lifts**

## **Notes**

**SVI International, Inc.**  
**LIFT REPAIR PARTS**

**ATLANTA - BALTIMORE - CHICAGO - LOS ANGELES**

Main Office: 800 Hicks Drive • Elburn, Illinois 60119 • 800-321-8173 • Fax 800-899-1784