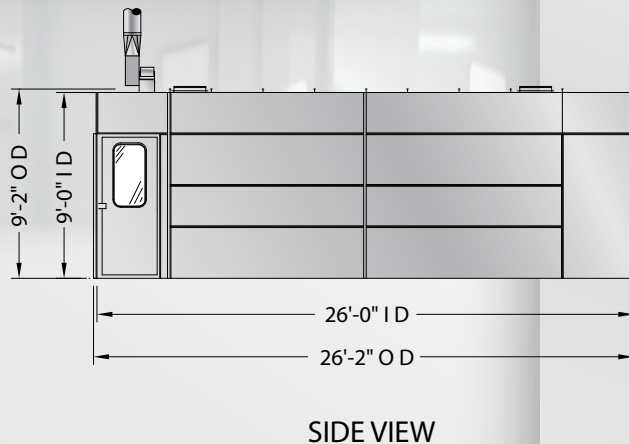
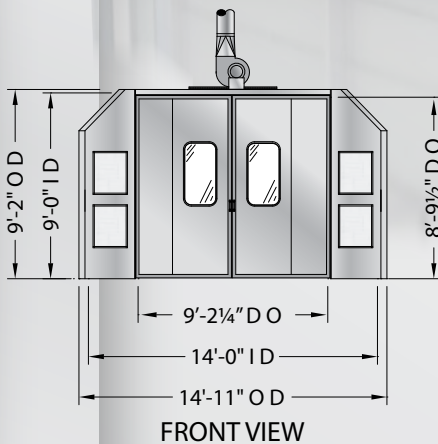


Building your booth the right way for all the right reasons



Increased Productivity Accelerate your drying time of water borne paints by using the Spray Systems Auto Dry Room. Add the Spray Systems Turbulence Fan System (TFS) to your Auto Dry Booth which provides turbulent air flow that decreases your drying time even further, while lowering overall operating costs and raising your productivity.

Drying rooms can be equipped with infrared and/or convection curing systems in conjunction with Spray Systems' TFS. With a separate drying enclosure, you'll continue painting in your paint booth while the newly painted vehicle is drying in the attached dry room. Both cars are protected from dirt with filtered air.

Improve High Quality Finish Dry Rooms with the TFS System produces higher quality automotive finishes by speeding the drying time which results in optimum curing and provides the best quality finish for either water borne or solvent-based coatings.

Environmentally Safe Each Auto Dry Room meets safety and code requirements – NFPA-33, IFC to protect those that work in any automotive spray environment.

STANDARD DESIGN FEATURES

DIMENSIONS:

Work dimensions: 26'-0" x 14'-0" x 9'-0"

Overall dimensions: 26'-2" x 14'-11" x 9'-2"

DRY ROOM/DOOR CONSTRUCTION:

18 gauge G90 galvanized prime steel

Prepunched holes on 6" centers

Easy nut and bolt assembly

Net opening: 8' -9½" high x 9' -2¼" wide

Heavy duty safety latches

SIDE ACCESS DOOR:

36" x 84" with observation window

Heavy duty safety latch

LIGHTING:

2 - High Efficiency Fluorescent light fixtures

UL Approved, 48", 4-tube (T-8) 120 Volt

Positive dust tight seals

Specifications are subject to change without notice

EXHAUST FAN/MOTOR:

High Efficiency 12" Tubeaxial fan with ½ HP TEFC Motor – 208/230/460V-60hz-3PH

Non sparking blade, enclosed belts and bearings

Capable of exhausting 1,400 CFM at 1/4" S.P.

DRAFT GAUGE:

Dwyer Mark II manometer to indicate replacement of filters

INTAKE FILTERS:

4 - Viledon intake filters, Type 1

20" x 25" with built in reinforcement frames

MISCELLANEOUS:

All necessary hardware and caulking is included

OPTIONS:

Turbulence Fan System (TFS)

Additional lighting / Additional length

Convection Curing System

RECIRCULATING CONVECTION TYPE HEATING SYSTEM

Recirculating heaters are designed with an indirect gas-fired heater with a greater than 80% thermal efficiency. They are certified to use with natural or propane gas, in sizes ranging from 75,000 to 400,000 BTU/HR input.

DR-1000 Recirculation Heater Unit

- Horizontal Heating Unit with 150,000 BTU/HR, 60 degree F temperature rise, Indirect natural gas fired heat exchanger including all gas controls, electric ignition pre-wired, AGA/CGA certified
- Duct Thermostat and Recirculation Duct work designed for the drying enclosure
- Purge Timer Control Panel NEMA-12 with necessary switches
- Assembly hardware for the heater and ductwork
- Rail Mounted unit for easy installation
- Inlet register with filter frame and Discharge register
- The heater unit is designed to be mounted on top of the DR-1000. The heater is designed to maintain the enclosure to approximately 120-140 degrees F, accelerating drying time and thus increasing production. After the heater is shut off, the blowers will continue to run to purge the enclosure.

Turbulence Fan System (TFS)

- An adaptable kit for your Dry Room requirements
- (4) 20" Diameter, Spray Systems Turbulence Fans
- Direct drive fan and mounting system
- VFD-controlled drive motor allows for adjustable fan RPM and turbulent flow
- Turbulent Timer NEMA-12 Control Panel
- OSHA approved safety guard
- Kit is available for retrofitting to an existing booth

Call For A Free Consultation

**Discuss Your Spray Booth Needs
With Your Spray Systems Advisor**

800 736-6944

1363 East Grand Avenue, Pomona, CA 91766

Phone 909 623-6944 • Fax 909 622-6267

www.spraysystems.com

