

Delta Refractories, Inc.
Serving Industry Since 1971

Refractory Solutions For Ethylene Heaters



21557 Provincial Blvd
Katy, Texas 77450 USA
(281) 391-1320 (800) 430-2226
(281) 391-2015 fax
www.deltarefractories.com
drisales@deltarefractories.com

PUB NO: 110-1033 (02/19/14)



Header Boxes

- Hotface: 1" RCF Blanket w/ SS Expanded Metal
- Anchoring: DSW-276 Insultwist Stud & Washer

Tube Penetrations

- Hotface: Delta DF® Module
- Backup: Layered RCF Die Cut Blanket
- Seals: Nextel Prefabricated Panels & Boots

Shadow Box

- Hotface: Delta DF® Module
- Backup: 1" RCF Blanket
- Anchoring: Stud/Nut/Plate Assembly

Upper Radiant Walls / Arch

- Hotface: Delta DF® Module
- Backup: 1" RCF Blanket
- Anchoring: Stud/Nut/Plate Assembly

Lower Radiant Walls

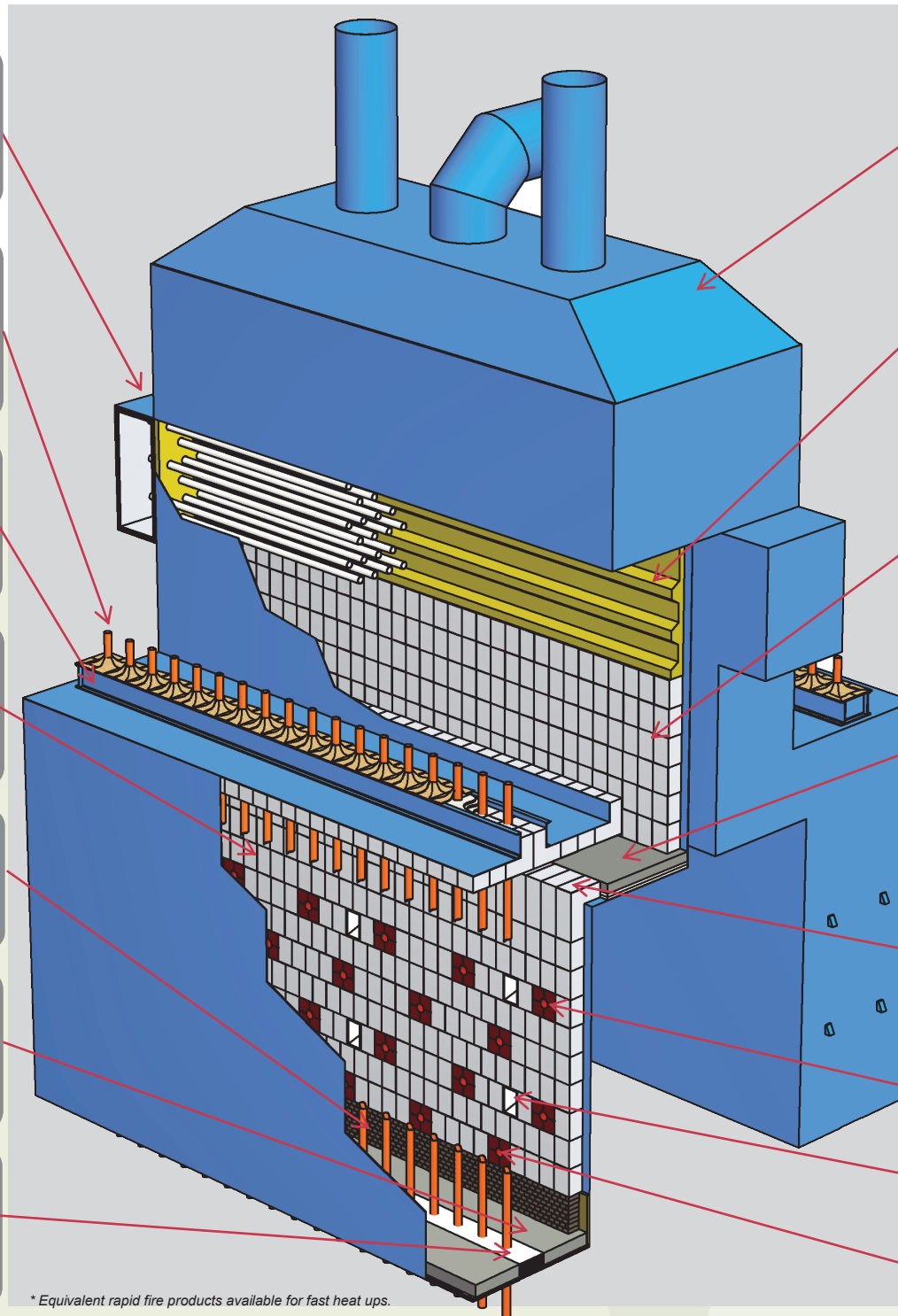
- Hotface: 2800°F IFB
- Backup: 2300°F Board
- Anchoring: DSW-613 Brick Tie

Radiant Floor

- Hotface: *Econocast 26
- Backup: *Econolite 90G 2300°F Board
- Anchoring: DSW-613 Brick Tie

Radiant Floor Tube Bay

- Hotface: Layered Die cut Blanket
- Anchoring: DSW-276 Insultwist Stud & Washer



Economizer

- Hotface: *Econolite 60G
- Anchoring: DSW-R6 T-SLOT Welded Wire Mesh

Upper Convection / Corbels

- Hotface: *Econolite 60G
- Backup: 1900°F Board
- Anchoring: DSW-740 V Anchor w/ SS Stud

Lower Convection

- Hotface: Delta DF® Module
- Backup: 1" RCF Blanket
- Anchoring: Stud/Nut/Plate Assembly

Convection Floor

- Hotface: *Econocast 26
- Backup: 2300°F IFB 2300°F Board
- Anchoring: DSW-740 V Anchor w/ SS Stud

Transitions/Column Boxes

- Hotface: Delta BN® Modules
- Backup: 1" RCF Blanket
- Anchoring: Stud/Nut/Plate Assembly

Delta DF® Burner Block

- Upper Radiant Walls

Delta DF® Peepsite

- Radiant Walls

Delta Composite Burner Block

- Lower Radiant Walls

* Equivalent rapid fire products available for fast heat ups.