

**This manual shows a T3RX-T3 Target. Your actual target may vary in features and appearance, however the set-up procedure is the same on all T series targets. For questions or concerns regarding your target system please contact our office.*



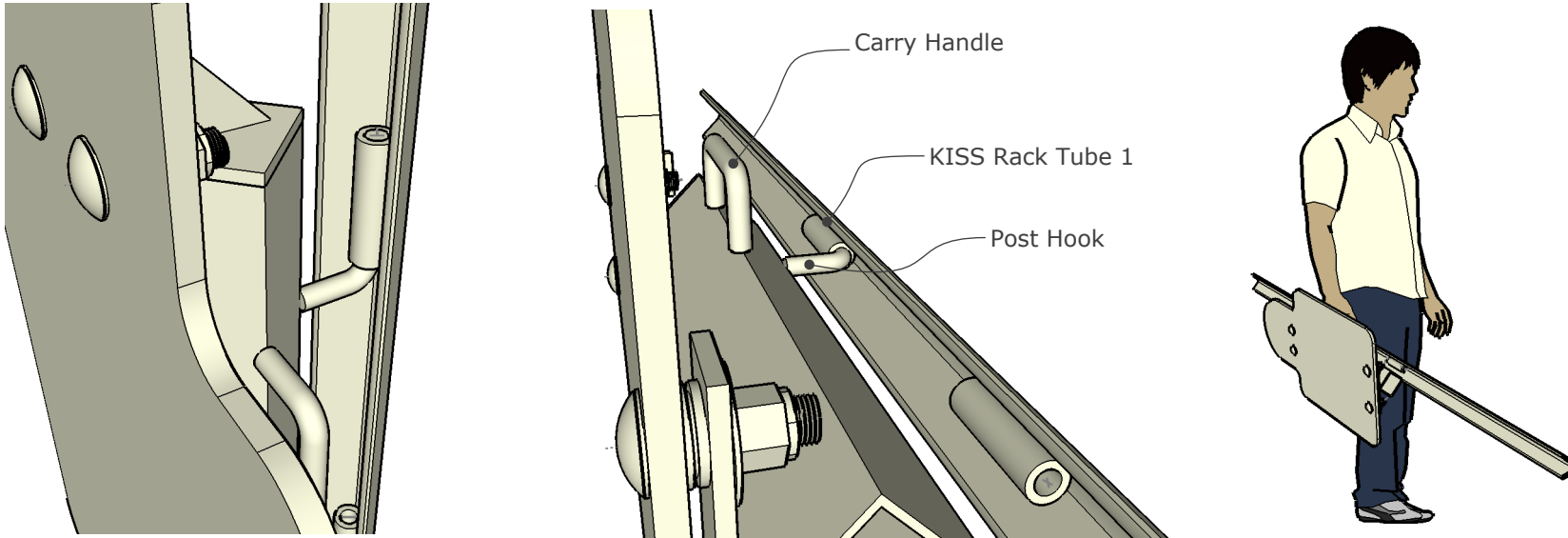
Steel Ops - Steel Armor & Target Systems

Customer Service Contact
970-215-6969

Target Set-up & Use Instructions

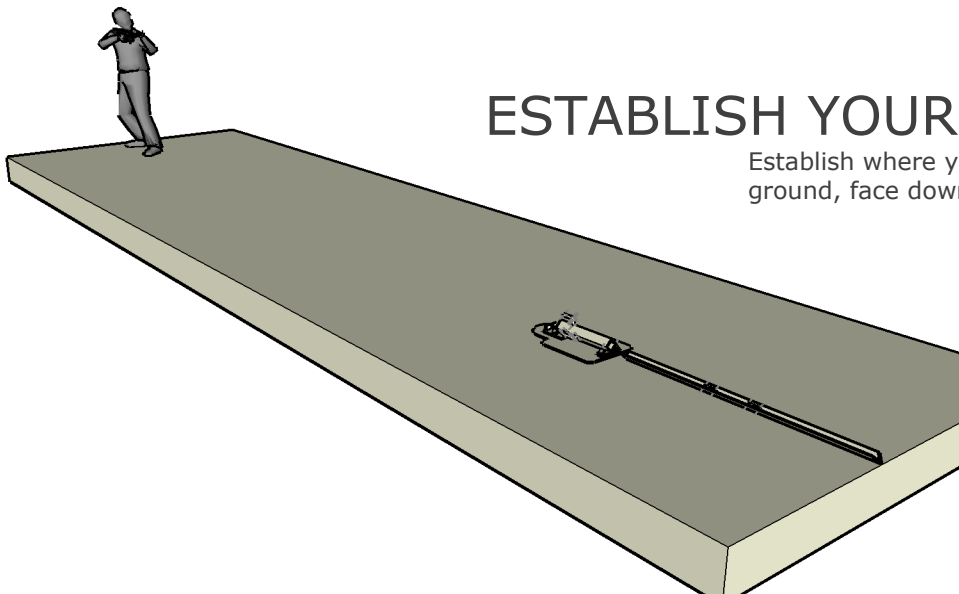
CARRYING YOUR TARGET SYSTEM

When carrying your target you can place the post over the post hook on the back of the target so the entire assembly can be carried with one hand



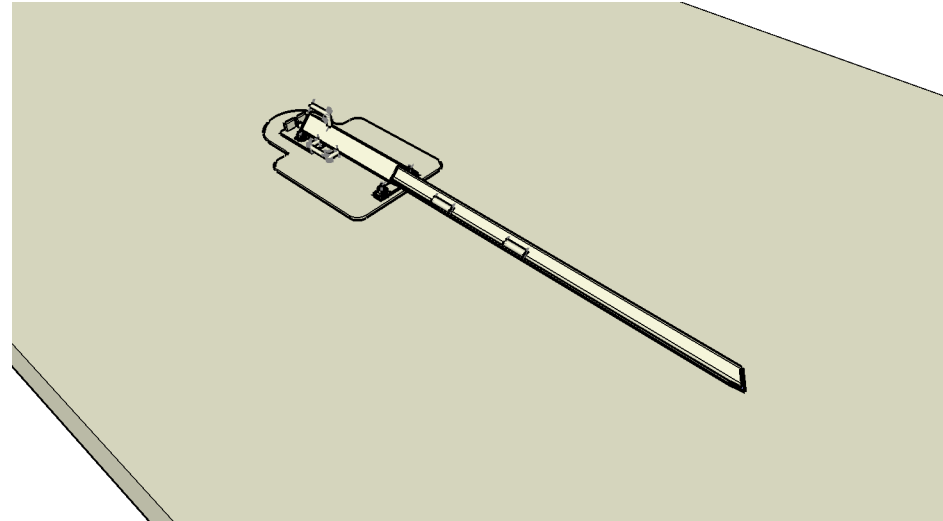
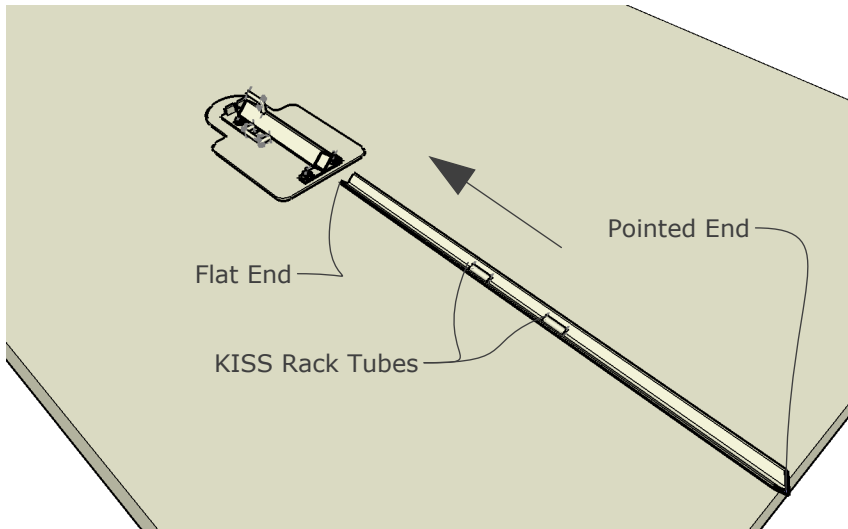
ESTABLISH YOUR SHOOTING POSITION

Establish where you will be shooting from and lay the target on the ground, face down, with the head pointed towards the shooting position



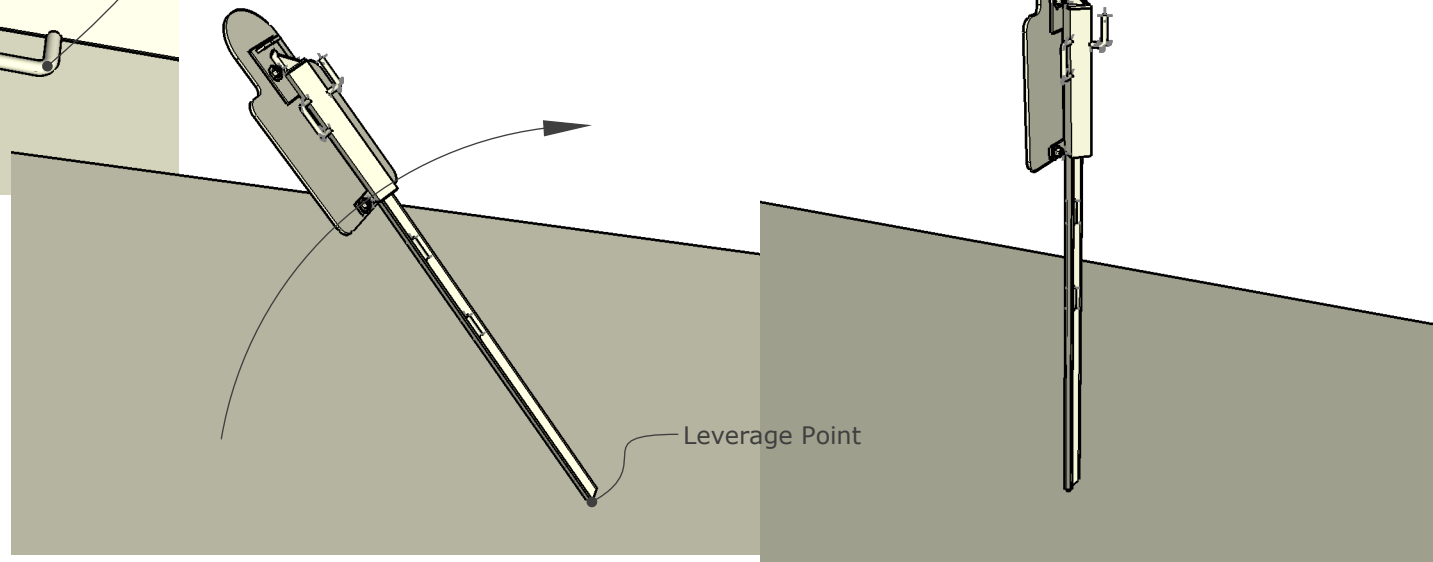
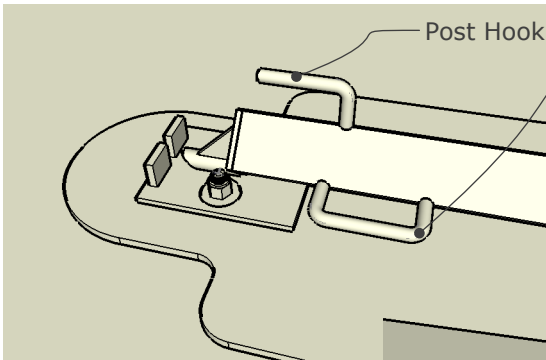
INSTALLING THE POST

With the pointed end of the post away from the target, and the KISS Rack Tubes facing upward, insert the post into the tube on the back of the target until it stops.

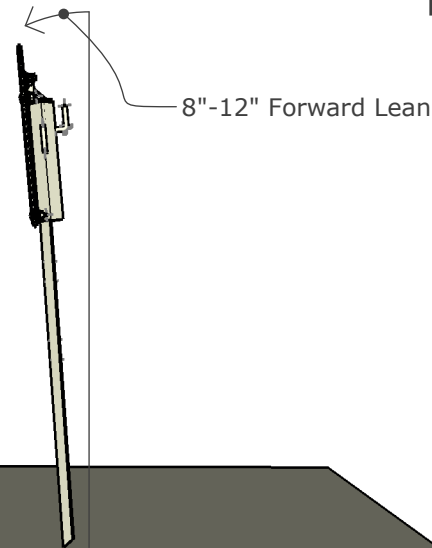


STANDING THE TARGET UP

Using either the carry handle or post hook, grab the target and lift it up using the pointed end of the target as a leverage point. The post should dig into the ground slightly making this process easier.

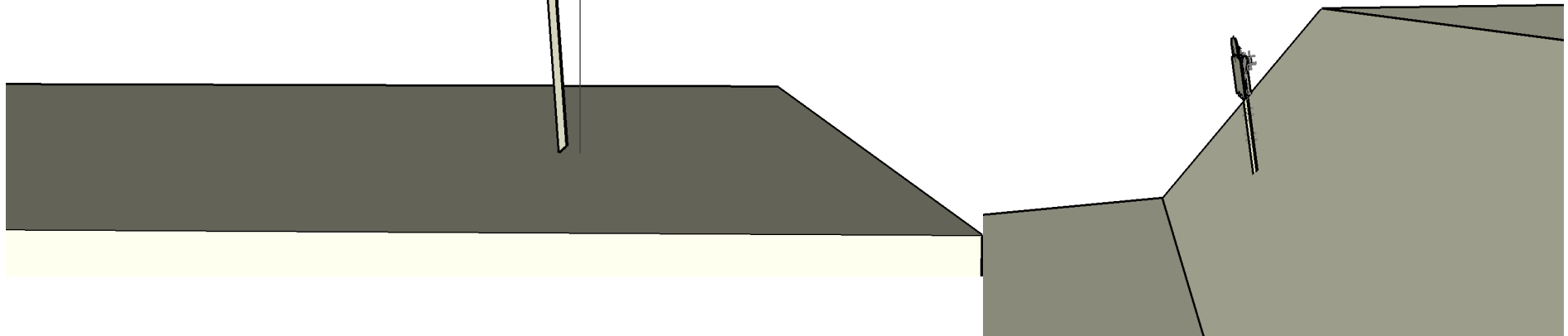


FORWARD LEAN



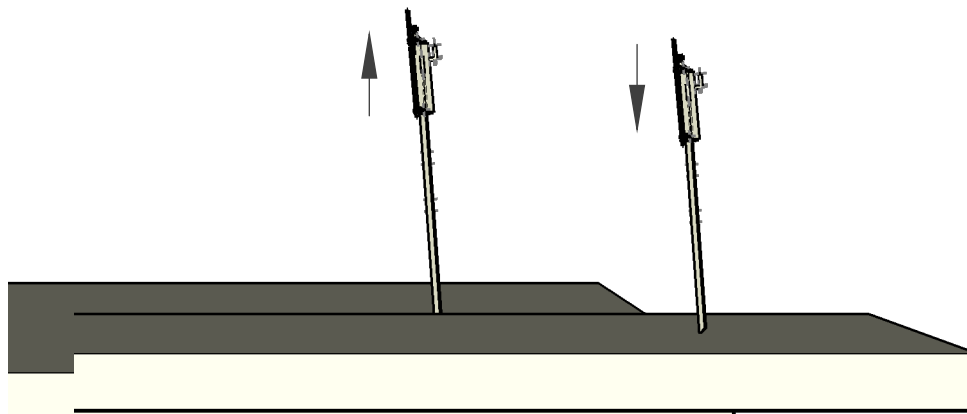
Lean the target towards the shooting position ~8"-12". This does not need to be exact and the target will function at a straight vertical position. The forward lean makes shooting the target safer by directing fragments downward and assists in the function of the HFR Flipper if applicable.

Steel Ops targets are unique in that they can be set-up on hillsides, berms or uneven ground without sandbags or stakes simply by accounting for angle. See the diagram below for how a target on a hillside should look when set-up



INSTALLATION

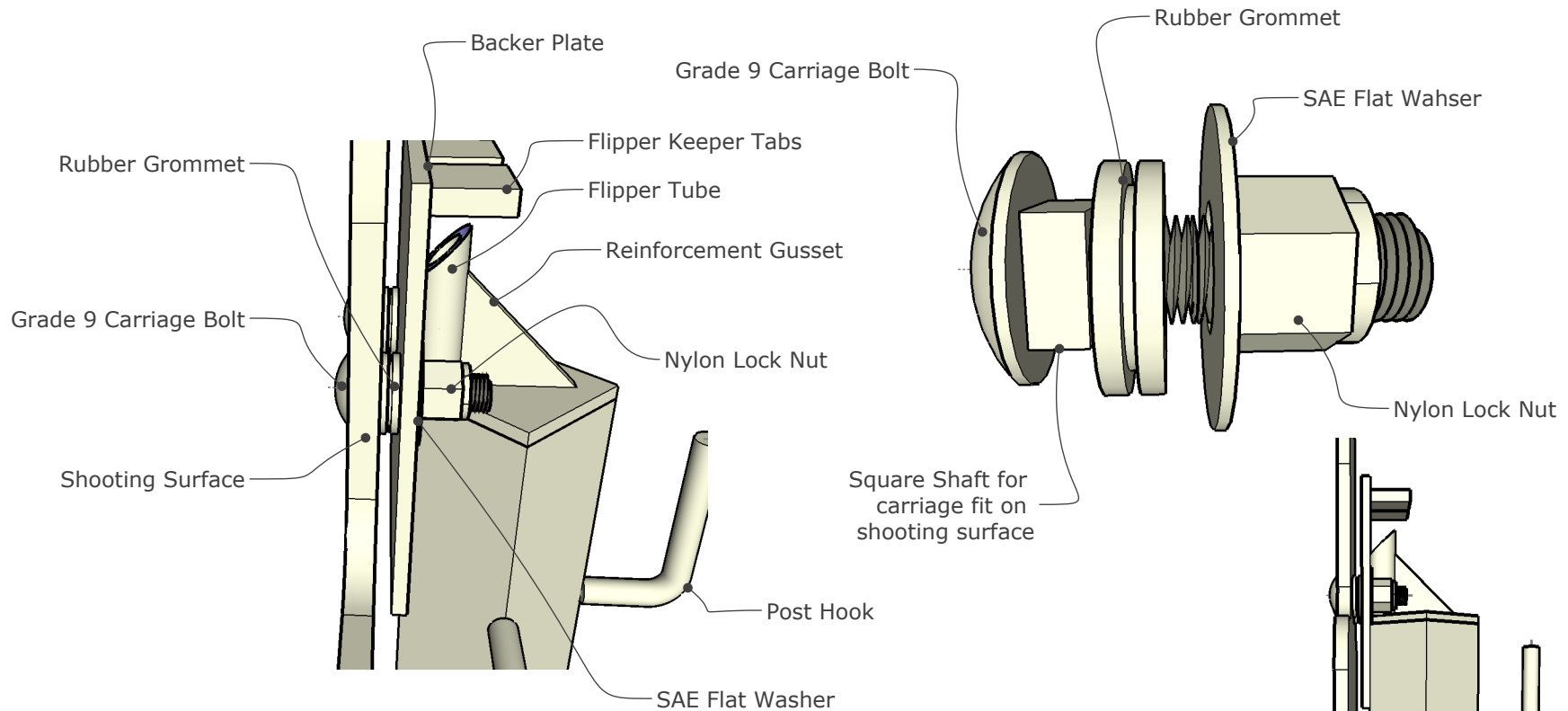
From here simply lift the target up and then forcefully back down so as to drive the post into the ground. Do not lift the target completely off the post. If you do accidentally lift the target off the post simply start the set-up procedure again. Do not attempt to set the target over a free standing post as this can be dangerous. Once installed the target should be embedded into the ground ~8"-10". Soft or loose soil may require deeper embedment.



REMOVAL

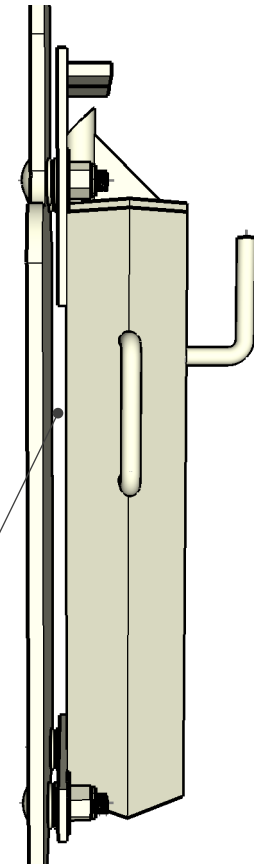
To remove the post simply wiggle the entire target system back and forth until the post appears to be loose. Lift the target off of the post and then remove the post from the ground. You may also simply push the entire target over until its laying on the ground. Put your post back on the post hook and carry your target back to the vehicle.

THIS SECTION APPLIES TO T3RX & T5 TARGETS ONLY



To rotate or replace your shooting surface simply loosen the nylon lock nut on the back of each bolt. The bolts have a square shaft that fits snug inside a square hole on the shooting surface so only one wrench is required. Monitor the indicator gap shown to the right throughout the life of your target. The shooting surface will bend slightly after many rounds and will eventually touch the square tube. We recommend rotating the surface once the gap is gone. After you've rotated the surface once and shot both sides, we recommend replacing the surface. Replacement bolts and hardware can be purchased online. Be sure to install the rubber grommet correctly as shown above to ensure that your target emits proper audio feedback when hit. Without these grommets your impacts will not sound as loud.

1/4" indicator gap between Shooting Surface and Post Tube. When the shooting surface bends enough to eliminate this gap it is time to rotate the surface. Replace the surface after both sides have been shot.



TARGET SPECIFICATIONS AND RATINGS

Shooting Surface: ISO Certified 3/8" AR-550 Steel
 Bolts: Grade 9 - 5/8" x 2" Carriage/Shaker Bolts
 Post: A36 Mild Steel L-2x2x1/4" Angle, Not Armored

Installed Target Heights:

- T3RX(T3) ~5'8" (RIFLE RATED)
- T3RX(IPSC) ~5'6" (RIFLE RATED)
- T1 ~5'6" (LIMITED RIFLE RATING, 300 yds or more only)
- T2/T4 ~3'8" (HAND GUN ONLY)
- T5 ~3'10" (RIFLE RATED)

Recommended Ranges and Calibers for Handgun Only or Rifle Rated Targets:

10mm, 45 Auto, 40 Cal, .357, 38 Special, 9mm, 380 Auto: 15 yards or more

50AE, 458 Socom (10" or less), 44 Mag, 45 Colt: 25 yards or more

Recommended Ranges and Calibers for Rifle Rated Targets Only:

5.56, .223, 7.62x39, .308, 30-30, 7.62x51, 7.62x54R, 458 SOCOM, 6.8 SPC/Grendal, 300 Blk: 100 yards or more

30-06, 300Wthrby, 300 Win mag, 308 Mag, 22-250, .204: 200 yards or more

.338 Lapua, 50 BMG: 500 yards or more

If you do not see the caliber you want to use listed above please contact our office for a recommendation: 970-215-6969

DO NOT USE STEEL CORE, A.P., OR INCENDIARY ROUNDS OF ANY KIND ON ANY STEEL TARGET... EVER.

HFR Flippers carry a different rating and are designed to be a wear-and-tear item. Please visit our website for more info.

Compatibility Chart for Target Accessories						
	HFR Flipper	KISS Rack	Standard Post	Small Post	PT1 Template	PT2 Template
T3RX (T3)	Yes	Yes, 2	Yes	No	Yes, All	Yes, All
T3RX(IPSC)	Yes	Yes, 2	Yes	No	Yes, Except Skull	No
T1	No	Yes, 2	Yes	No	Yes, All	Not Recmnded
T2	No	Yes, 1	No	Yes	Yes, All	No
T4	No	Yes, 1	No	Yes	No	No
T5	No	Yes, 1	No	Yes	Yes, Except Skull	No

Steel Ops warranties all Steel Targets against workmanship and manufacturing defects such as welds for the life of the target. Abuse, Neglect, or normal wear-and-tear are not covered under warranty. Using the targets in any manner other than directed will void this warranty. Shooting steel core ammunition, shooting rifle rounds at handgun only targets, shooting calibers not listed in the ratings section, or shooting at ranges closer than recommended will void all warranties. This warranty should not be construed to include material defects or strength of steel. Ratings should be used for reference and we do not guarantee nor warranty any product against pitting or puncture from ammunition. If pitting or damage occurs move your target further away. We do not guarantee any specified round counts or lifespan for any product. We will not warranty any product that is unsafe or that has been damaged by abuse or neglect. Firing any round of any type at under 100 yards will shorten the life of the steel product. Mill Certifications for the quality of steel are kept to ensure our product description is accurate and those may be provided in the event of a discrepancy. Powder Coat is not covered under our warranty and will wear off with use. We recommend keeping a coat of paint on your target when stored - See our Paint Templates! Do not attempt to weld or repair your target, this will void your warranty and welding to AR-550 steel is a very specific process requiring professional tools and expertise.