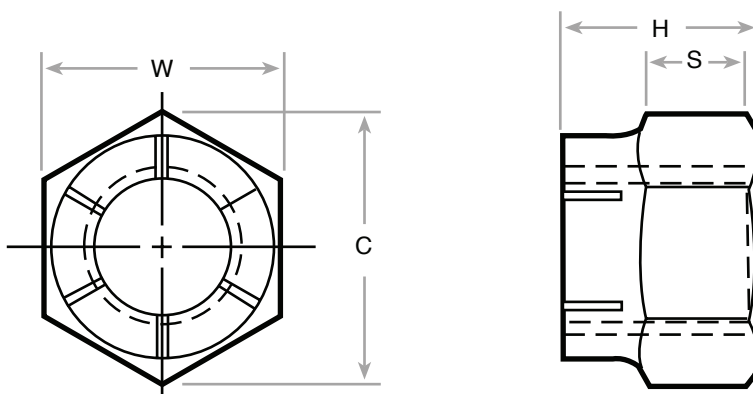


Light Hex Thin Height FlexSlot® S80MFK- 316 Series Stainless



Type	Size	Threads	Dimensions are in Metric.					Axial Strength kN Min Steel & Stainless Steel
			C Ref	H Max	S Min	W Max	W Min	
SMFK-M305	M3 x 0.5 6H		6.08	3.10	1.60	5.5	5.38	2.7
SMFK-M407	M4 x 0.7 6H		7.74	4.7	2.00	7.0	6.85	5.84
SMFK-M508	M5 x 0.8 6H		8.87	5.6	2.66	8.0	7.85	10.4
SMFK-M610	M6 x 1.0 6H		11.05	5.7	2.17	10.0	9.78	14.7
SMFK-M8125	M8 x 1.25 6H		14.38	7.2	2.58	13.0	12.73	19.3
SMFK-M1015	M10 x 1.5 6H		18.90	8.7	3.41	17.0	16.73	30.6
SMFK-M1217	M12 x 1.75 6H		21.10	10.1	3.93	19.0	18.67	47.4
SMFK-M1420	M14 x 2.0 6H		24.49	11.5	4.44	22.0	21.67	61.0
SMFK-M1620	M16 x 2.0 6H		26.75	12.8	5.31	24.0	23.67	83.0
SMFK-M1825	M18 x 2.5 6H		30.14	14.2	5.40	27.0	26.67	98.4
SMFK-M2025	M20 x 2.5 6H		33.53	15.5	6.25	30.0	29.67	98.4
SMFK-M2225	M22 x 2.5 6H		35.72	16.7	6.73	32.0	31.61	125
SMFK-M2430	M24 x 3.0 6H		39.98	18.0	6.93	36.0	35.38	171
SMFK-M2730	M27 x 3.0 6H		45.63	18.3	6.65	41.0	40.38	224
SMFK-M3035	M30 x 3.5 6H		51.28	20.0	6.45	46.0	45.38	273
SMFK-M3335	M33 x 3.5 6H		55.80	21.7	7.72	50.0	49.38	338
SMFK-M3640	M36 x 4.0 6H		61.31	23.3	7.61	55.0	54.26	397
SMFK-M3940	M39 x 4.0 6H		66.96	24.9	8.40	60.0	59.26	475

1. S80MFK-M305, 316 Series Stainless Steel W/Wax
2. S89MFK-M305, 316 Series Stainless Steel W/Silver Plate per AMS 2410/2411