



*Everyone Owns Integrity*

# Unemployment Insurance Integrity Center

Secretaries Innovation Group

June 15, 2016

Atlanta, GA

# Integrity Center Project Overview

- State Engagement Strategy
- UI National Integrity Academy
- Integrity Investment Funding
- UI Data Hub
- UI Digital Library
- Subject Matter Expert Support to States
- Integrity Symposium

# Utilizing State Information

Creating a comprehensive set of information about state operations and practices

Make this extensive information set available to a variety of state leaders (UI Directors, Operations Executives, etc.) to enable them to:

- Easily find information on promising practices
- Explore other state operations
- Look at integrity practices from a broad overview perspective
- Enable drill down to specific practices/topic areas of most relevance to them

# Academy Certificates

## UI Integrity Fundamentals

UI Operations  
Integrity  
Certificate

UI Fraud  
Investigations  
Certificate

UI Data  
Analytics  
Certificate

UI Program  
Leadership  
Certificate

# Digital Library For Integrity

- The Unemployment Insurance Digital Library for Integrity (UIDL) will be a managed collection of unemployment insurance integrity information available online to state and Federal UI programs.
- The primary purpose of the UIDL will be to offer states access to comprehensive materials that will support their efforts to prevent and detect improper payments and fraud, and recover any improper payments made within their UI programs.

# Integrity Data Hub

## **OBJECTIVE:**

Design and build a single hub with interfaces to multiple databases for purposes of cross-matching and data retrieval.

## **STRATEGY:**

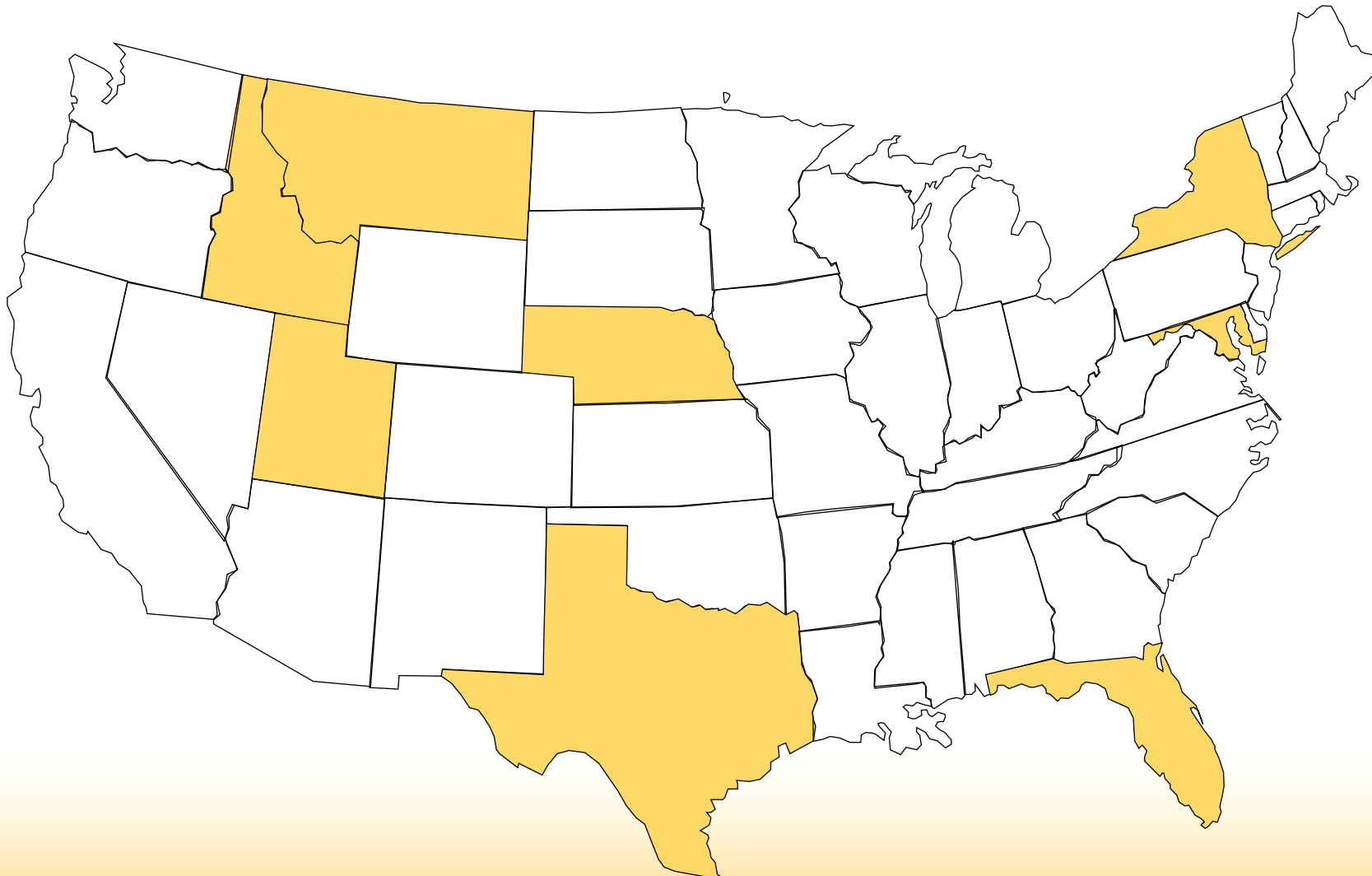
- Identify and document available data sources
- Establish pilot projects to evaluate design alternatives
- Establish and validate data collection mechanism
- Develop data sharing agreements

# Suspicious Actor Repository (SAR)

## Overview

- The SAR is envisioned to collect “suspicious actor” information from participating states and aggregate this information in a master file
- The SAR would then compare initial and continued claims against suspicious actor data and identify matches so states can conduct further investigation as appropriate
- Users would have the option to query the system to determine if any of the selected data elements from one of their claims matches information in the SAR
- The SAR will serve as the foundation for the Integrity Data Hub (IDH), which will provide interfaces to additional databases for cross-matching and support expanded data analysis and analytics

# SAR Pilot States

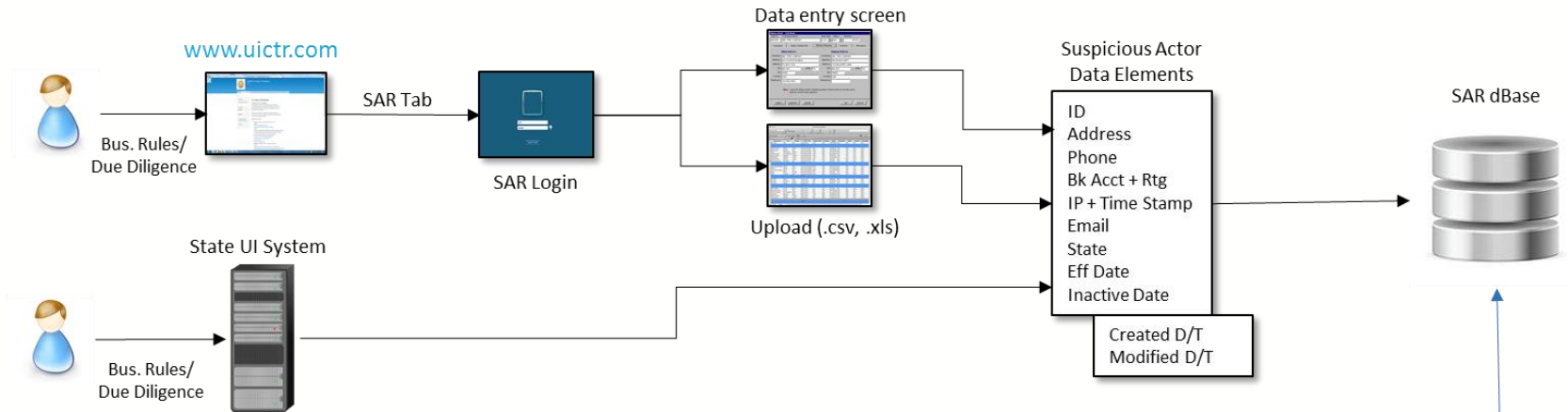


- Maryland
- Nebraska
- Montana
- Idaho
- Utah
- New York
- Florida
- Texas

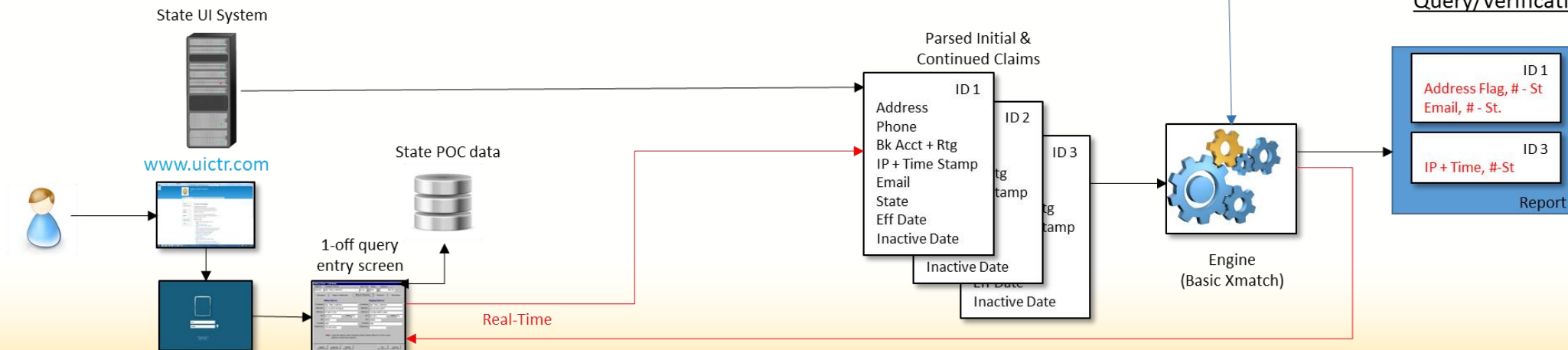


# Suspicious Actor Repository (SAR) Operation

## Suspicious Actor Data Collection



## Query/Verification



# Integrity Data Hub Vision

