

# Dracula

## Main Set Isometric

Director: B.Glenn

Designer: S.Culpepper

Tech Director: Aaron Mayer

Drafted By: A.Mayer

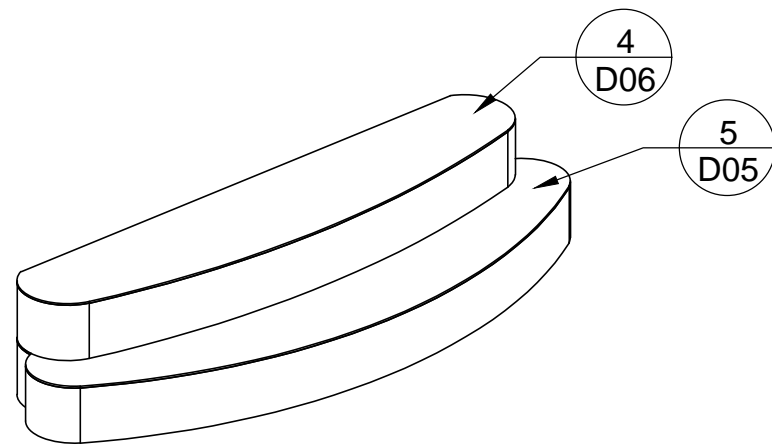
DWG Date: 9/26/2017

REV Date:

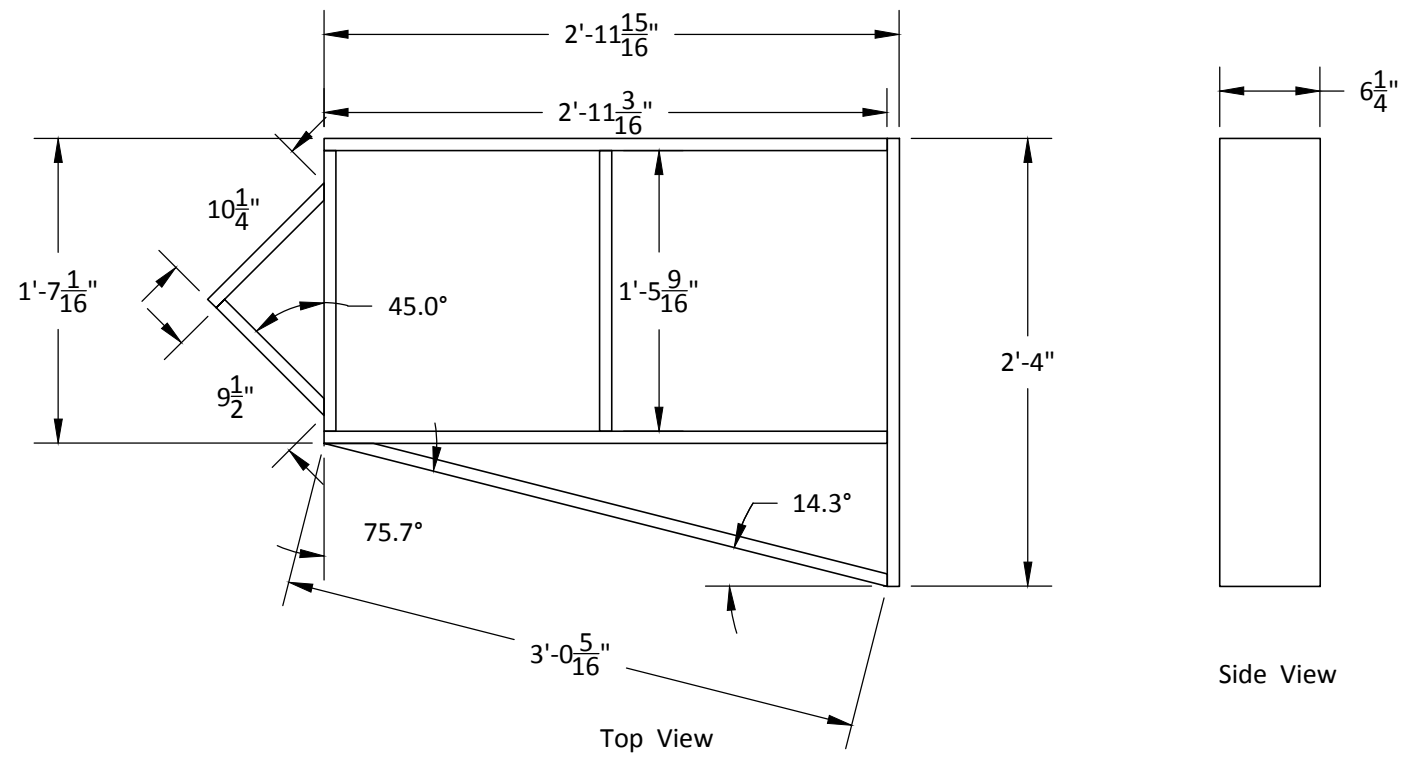
Scale: Not to Scale

DWG #:

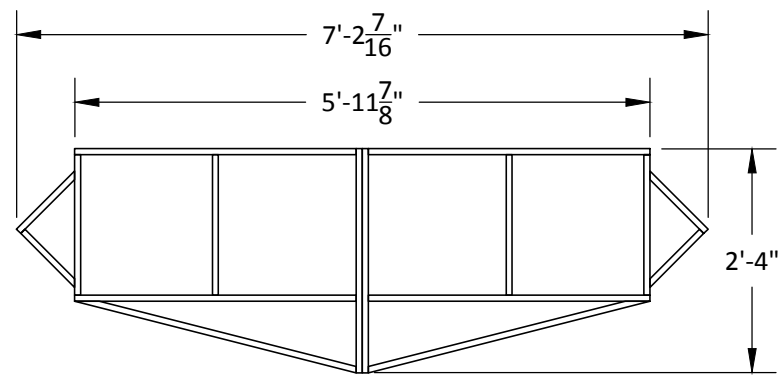
**D04**



1 First Steps Iso  
D05



2 First Step Frame Half- Scale: 1"=1'-0"  
D05 Build 2 from 3/4" CDX Plywood.  
Glue and MC Staple.



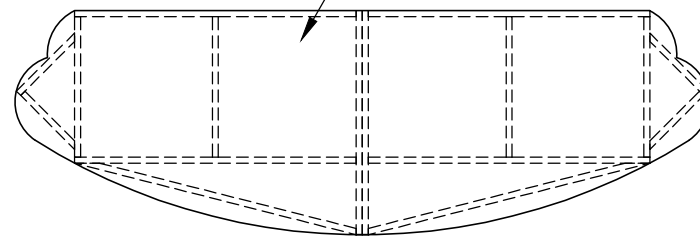
Top View



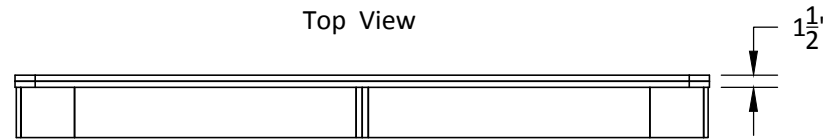
Front View

3 Step Frame Assembled- Scale: 1/2"=1'-0"  
D05 Assemble frames as shown,  
glue and screw.

Cut deck with full scale template.  
Care must be taken for accuracy.

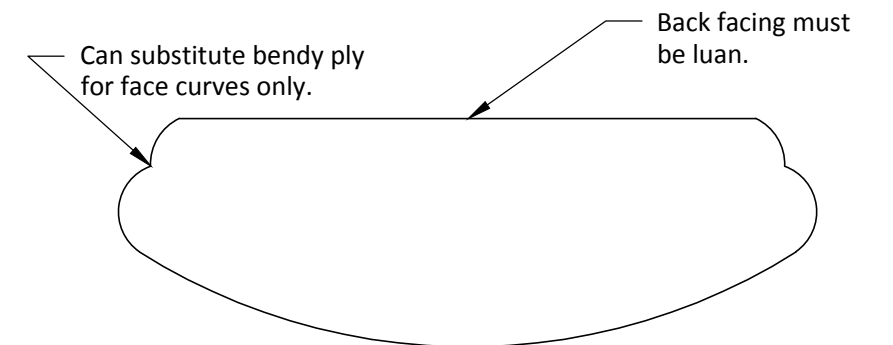


Top View

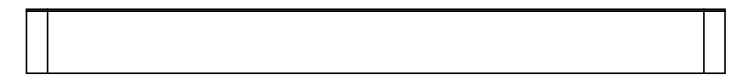


Front View

4 Step Deck- Scale: 1/2"=1'-0"  
D05 Deck w/ 3/4" CDX plywood.  
Glue and screw to frame.



Top View



Front View

5 Step Skin- Scale: 1/2"=1'-0"  
D05 Face luan all around, then deck with luan  
Flush route top.  
Glue and NC Staple; Fill and Sand.

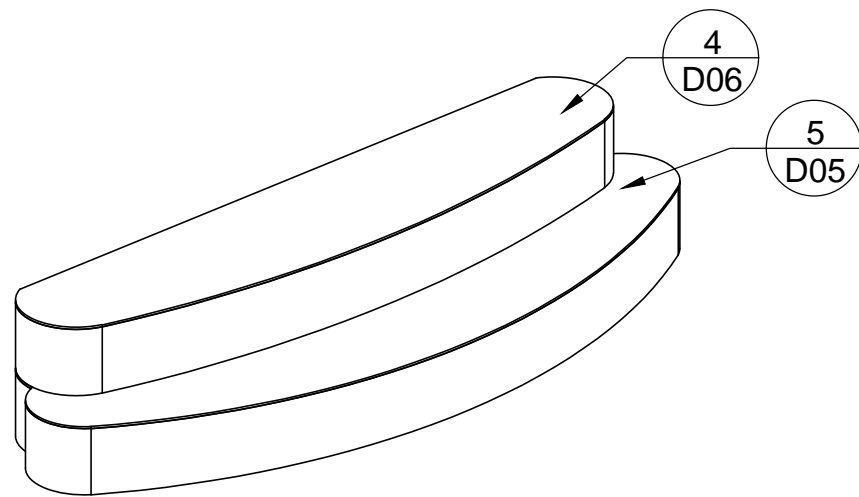


# Dracula

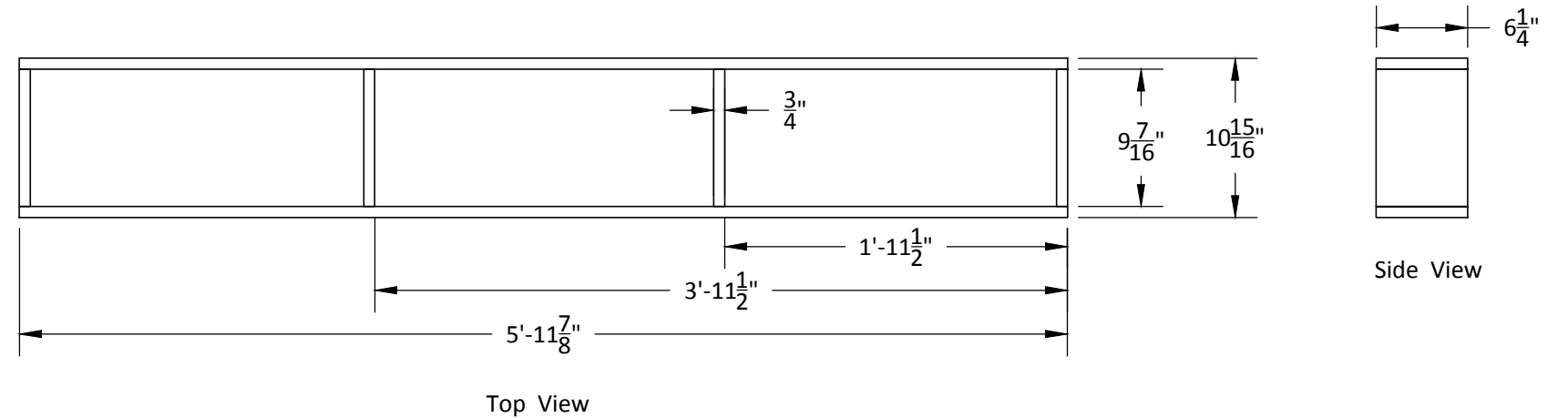
## Grand Staircase First Curved Step

Director: B.Glenn	Designer: S.Culpepper
Tech Director: Aaron Mayer	Drafted By: A.Mayer
DWG Date: 9/24/2017	REV Date: Scale: As Noted

DWG #:  
**D05**



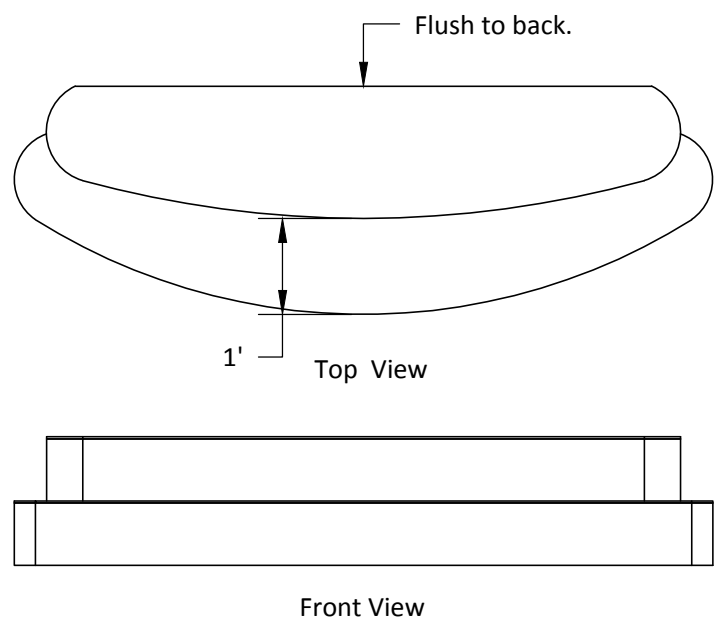
1 First Steps Iso  
D06



Top View

Side View

2 Second Step Frame - Scale: 1"=1'-0"  
D06 Build 1 from 3/4" CDX Plywood.  
Glue and MC Staple.

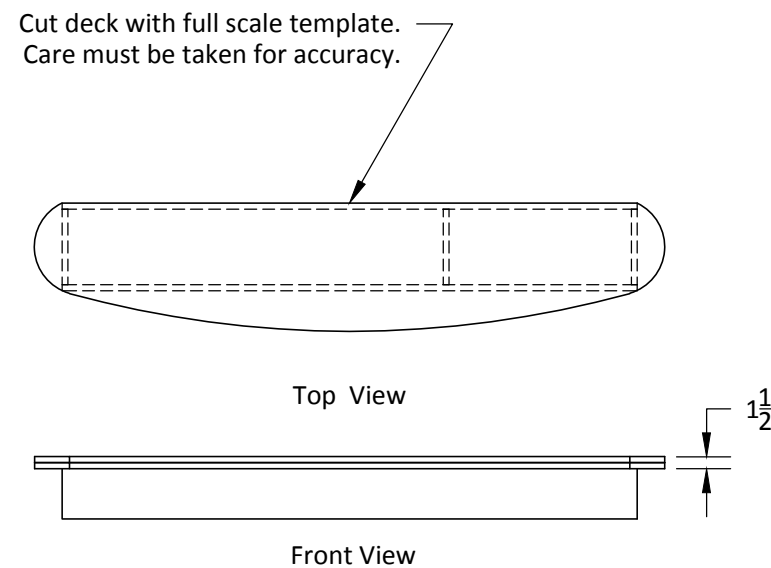


Top View

Front View

Side View

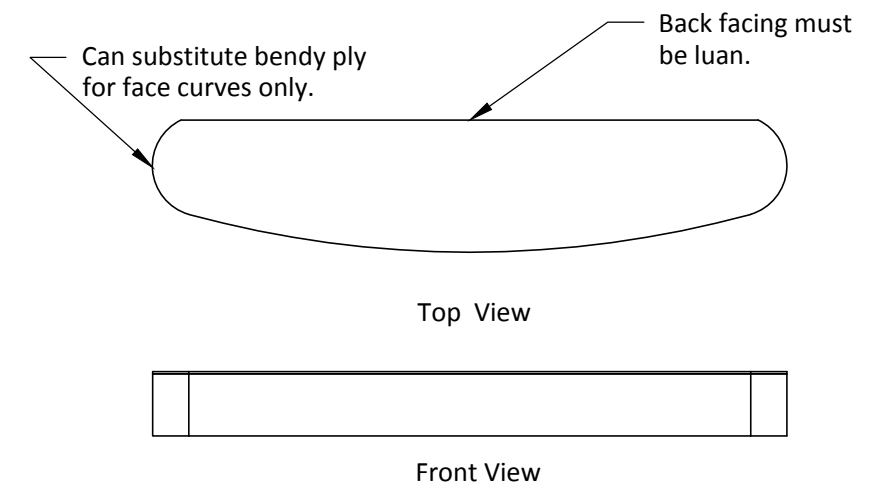
5 Curved Step Assembly- Scale: 1/2"=1'-0"  
D06 Face luan all around, then deck with luan  
Flush route top.  
Glue and NC Staple; Fill and Sand.



Top View

Front View

3 Step Deck- Scale: 1/2"=1'-0"  
D06 Deck w/ 3/4" CDX plywood.  
Glue and screw to frame.



Top View

Front View

4 Step Skin- Scale: 1/2"=1'-0"  
D06 Face luan all around, then deck with luan  
Flush route top.  
Glue and NC Staple; Fill and Sand.



# Dracula

## Grand Staircase Second Curved Step

Director: B.Glenn

Designer: S.Culpepper

Tech Director: Aaron Mayer

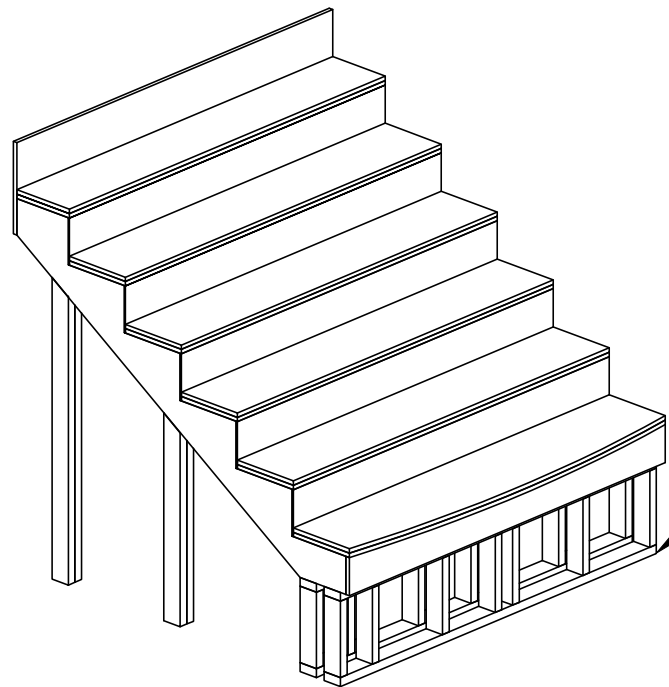
Drafted By: A.Mayer

DWG Date: 9/24/2017

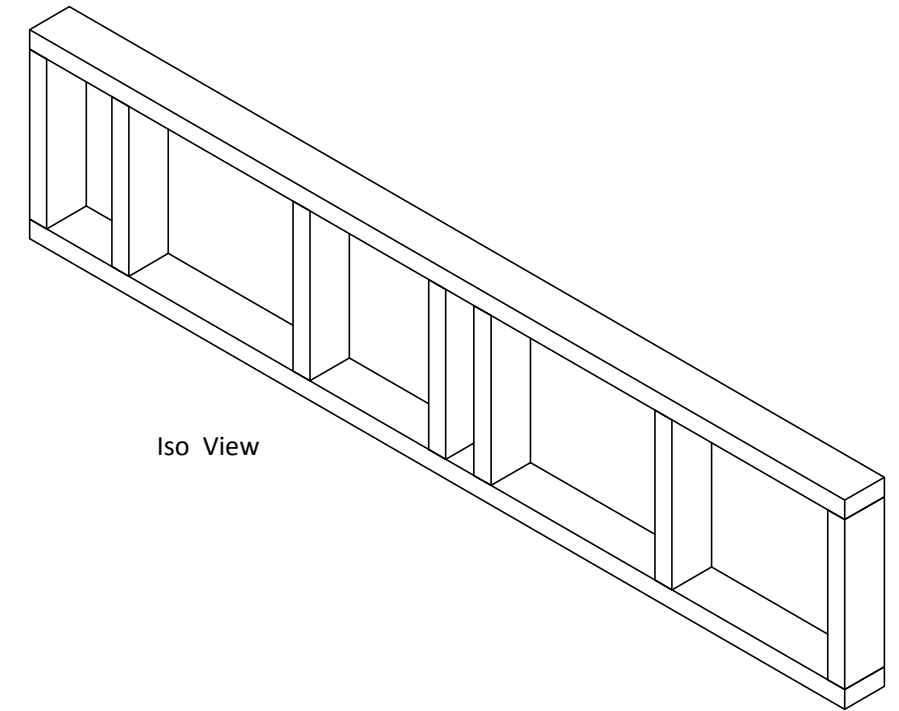
REV Date:

Scale: As Noted

DWG #:  
**D06**



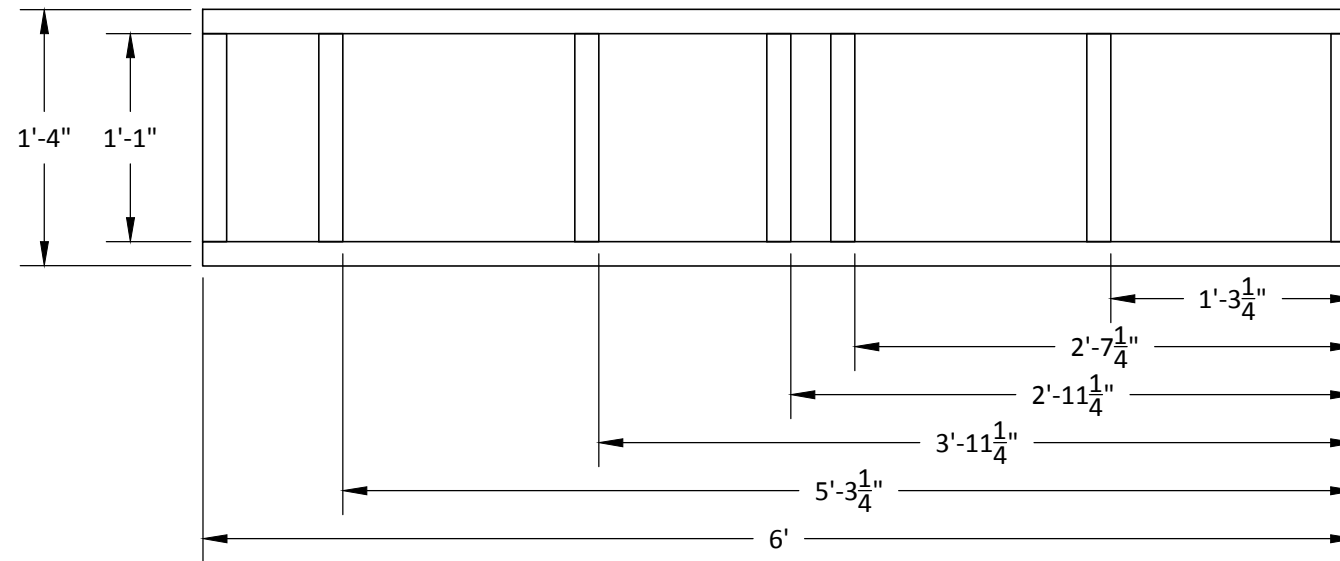
2  
D07



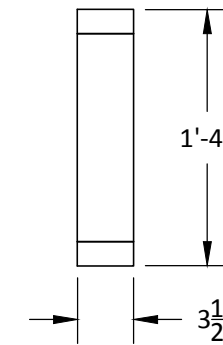
Iso View

1  
D07

First Steps Iso



Front View



Side View

2  
D07

Step Knee Wall- Scale: 1"=1'-0"

Build 2 from 2x4.  
Glue and Screw.



Dracula

Grand Staircase Knee Wall

Director: B.Glenn

Designer: S.Culpepper

Tech Director: Aaron Mayer

Drafted By: A.Mayer

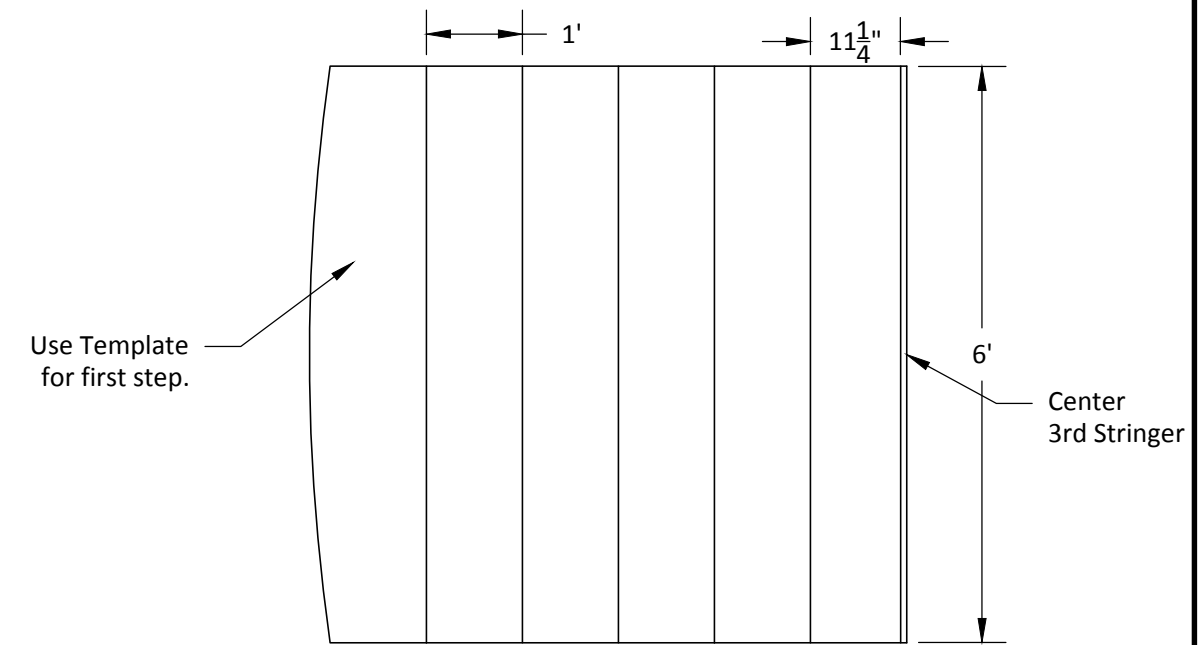
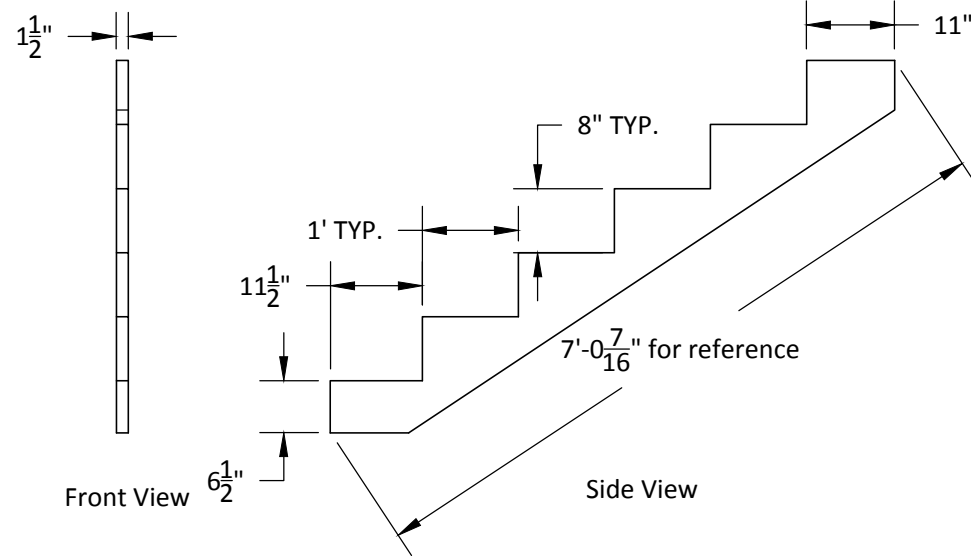
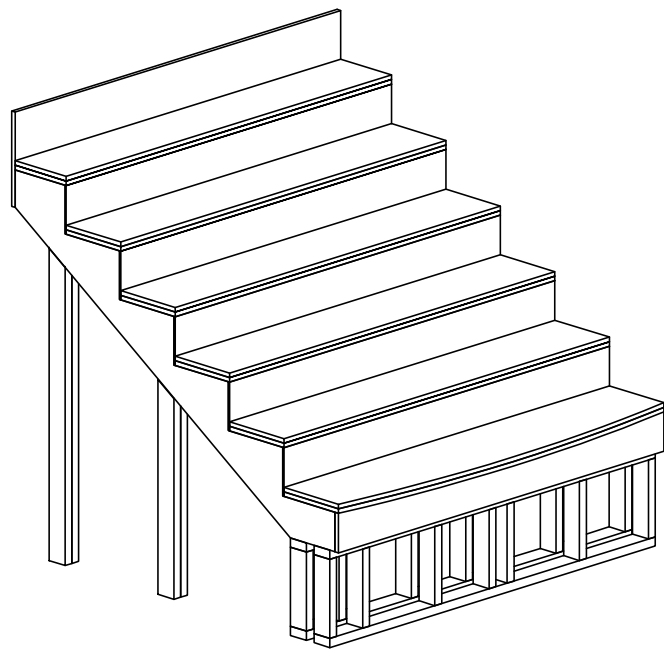
DWG Date: 9/24/2017

REV Date:

Scale: As Noted

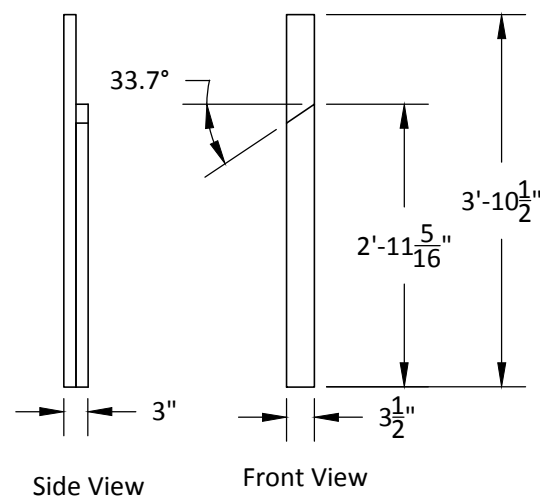
DWG #:

D07

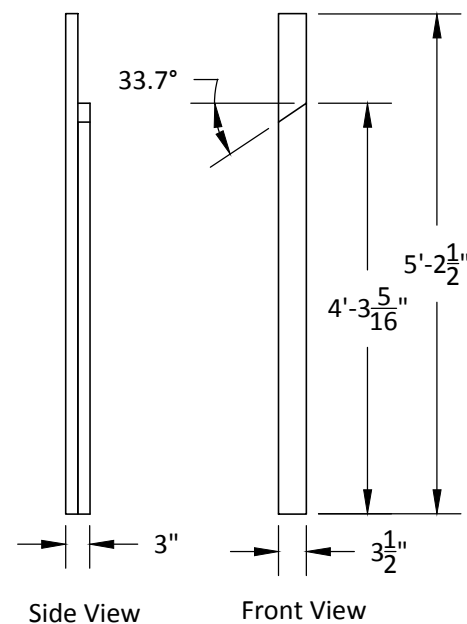


1 Grand Staircase Iso  
D08

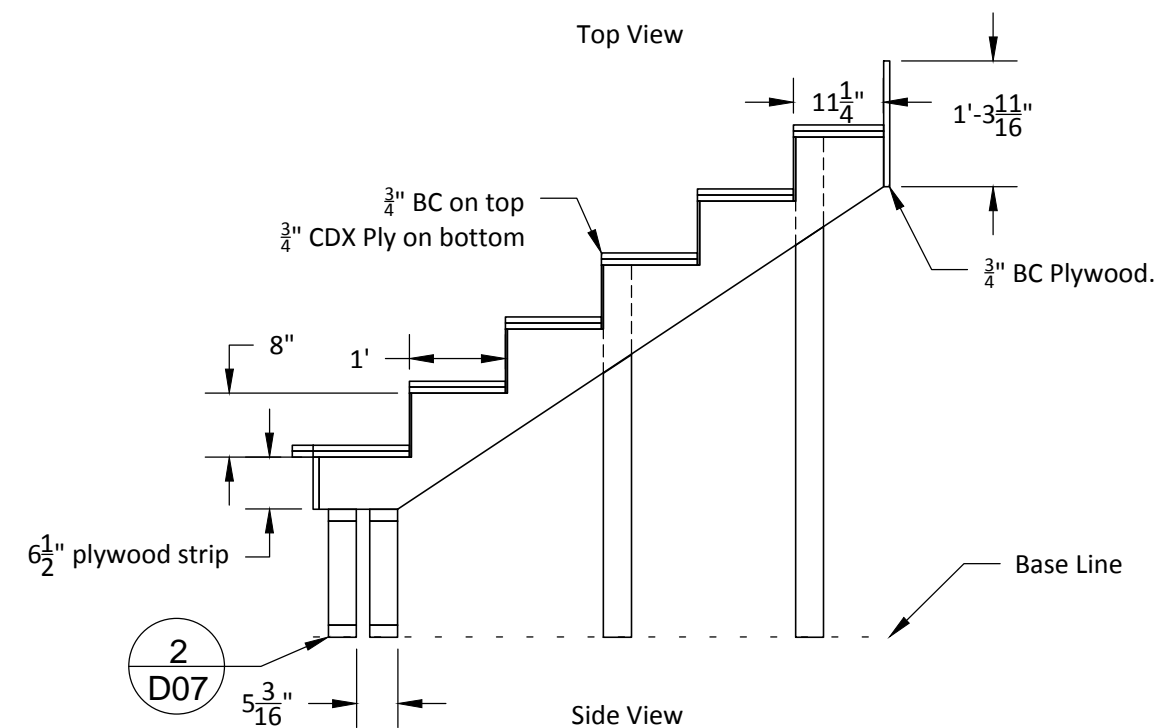
2 Stringer- Scale: 1/2"=1'-0"  
D08 Build 3 from 2x12x12.



3 Short Legs- Scale: 1/2"=1'-0"  
D08 Build 2, R&R 1 from 2x4.



4 Tall Legs- Scale: 1/2"=1'-0"  
D08 Build 2, R&R 1 from 2x4.



5 Assembly- Scale: 1/2"=1'-0"  
D08 Assemble from components.  
Treads are 3/4" CDX on bottom and BC on top.  
Glue and screw CDX, Glue and Finish nail BC.  
Risers are Iuan. Glue and Brad.  
Do Not attach legs or knee walls.



# Dracula

## Grand Staircase

Director: B.Glenn

Designer: S.Culpepper

Tech Director: Aaron Mayer

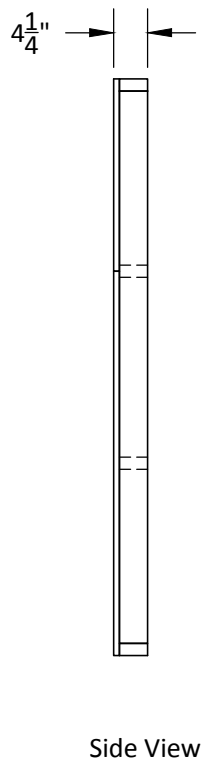
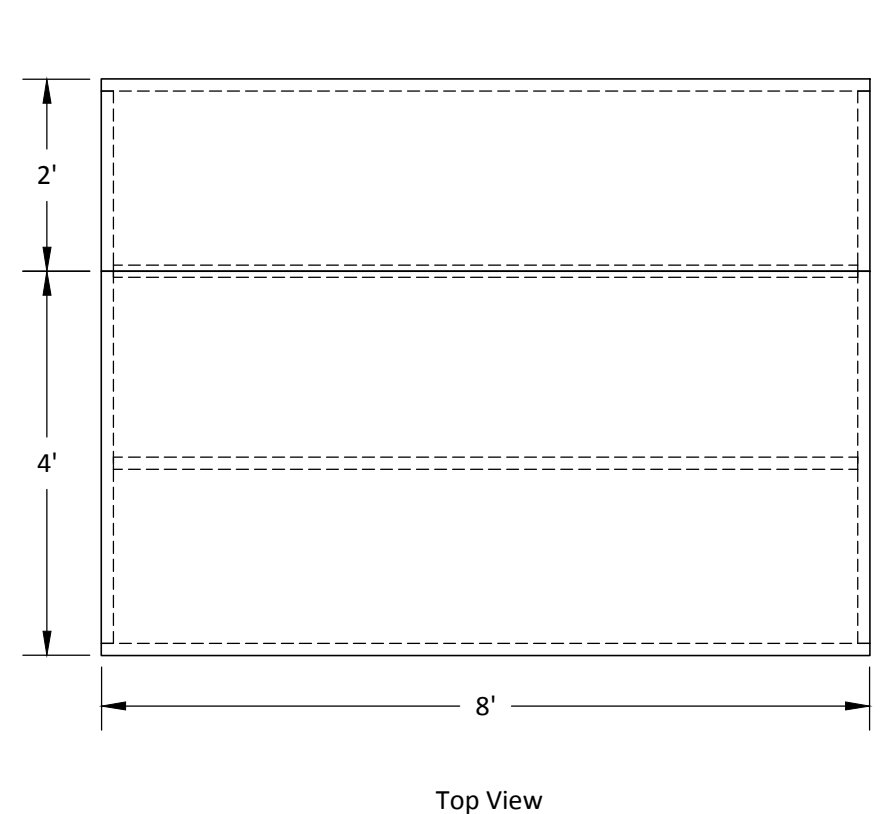
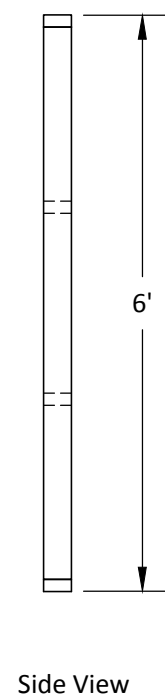
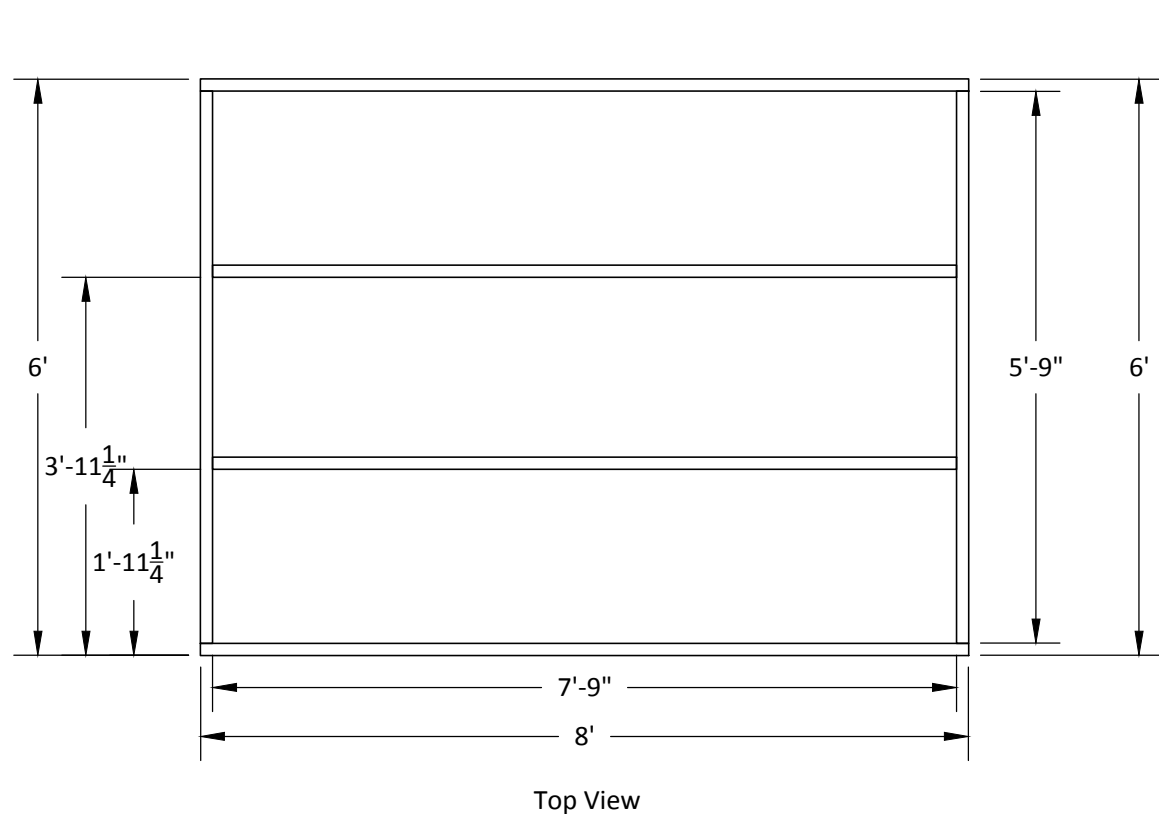
Drafted By: A.Mayer

DWG Date: 9/24/2017

REV Date:

Scale: As Noted

DWG #:  
**D08**



1  
D09 Frame- Scale:  $\frac{1}{2}''=1'-0''$   
Build 1 from 2x4x12.  
Glue and Screw.

2  
D09 Deck- Scale:  $\frac{1}{2}''=1'-0''$   
Deck with  $\frac{3}{4}''$  BC Plywood.  
Glue and Screw.

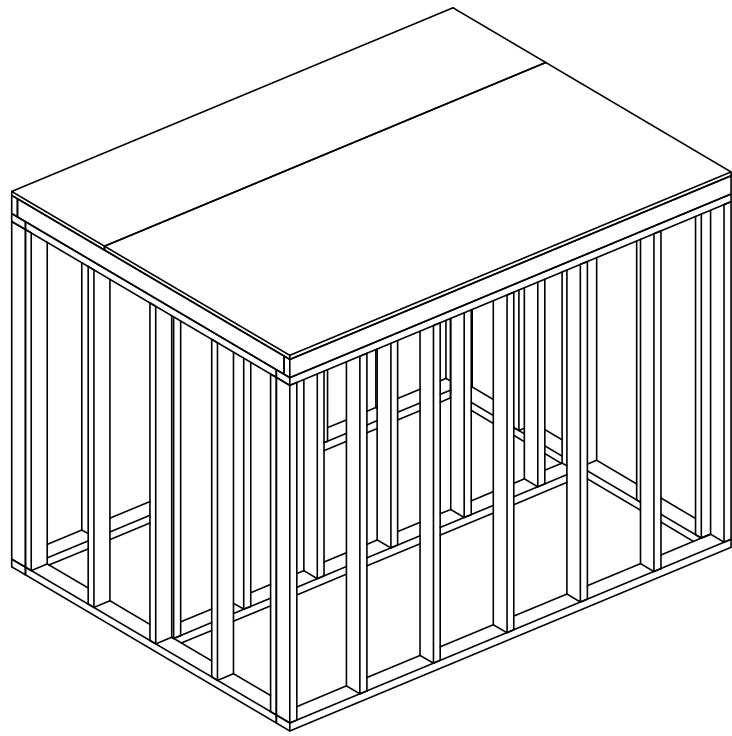


# Dracula

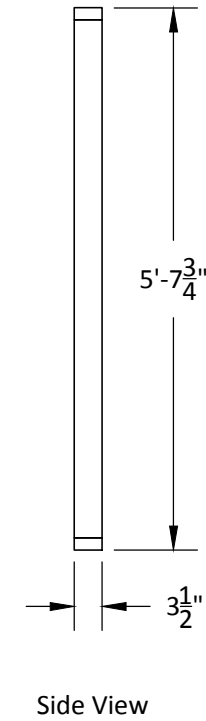
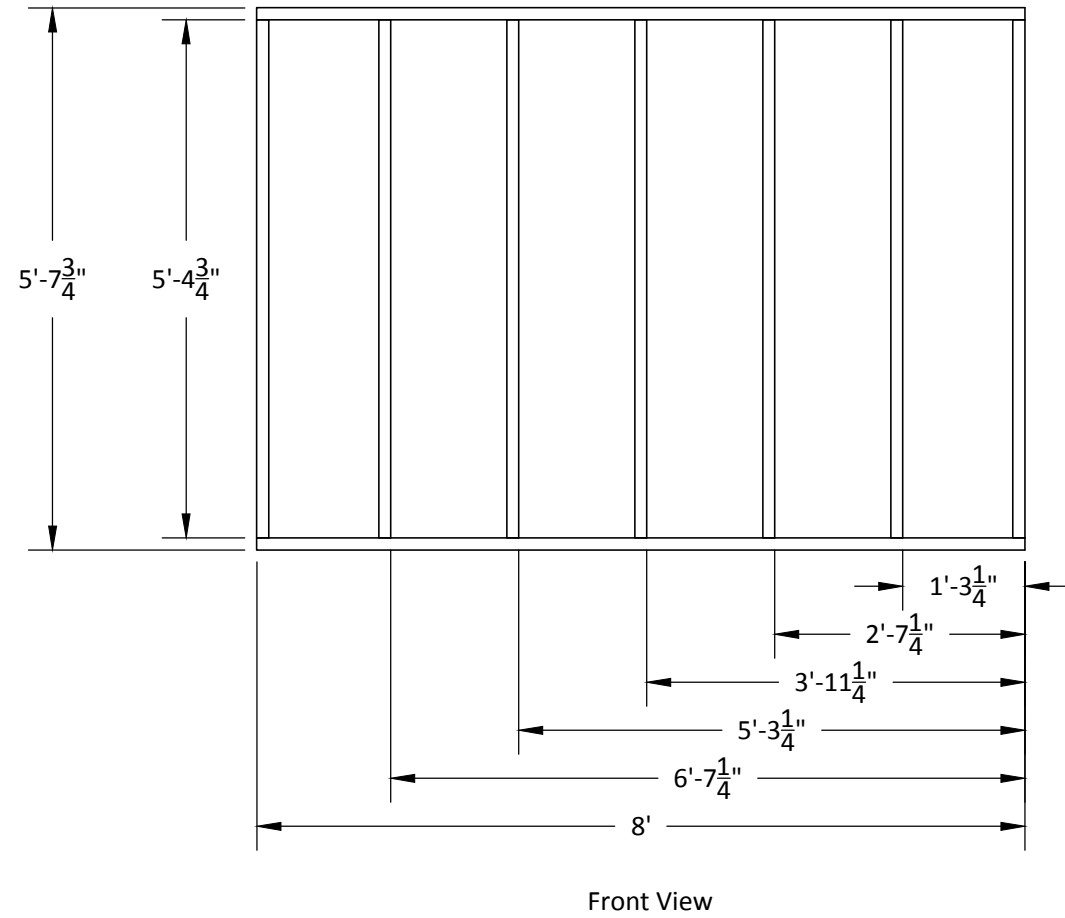
## Level 1 Platform

Director: B.Glenn	Designer: S.Culpepper
Tech Director: Aaron Mayer	Drafted By: A.Mayer
DWG Date: 9/24/2017	REV Date: Scale: As Noted

DWG #:  
**D09**



1 Level 1 Iso  
D10



2 Outside Studwall 1- Scale: 1/2"=1'-0"  
D10 Build 1 from 2x4x12.  
Glue and Screw.

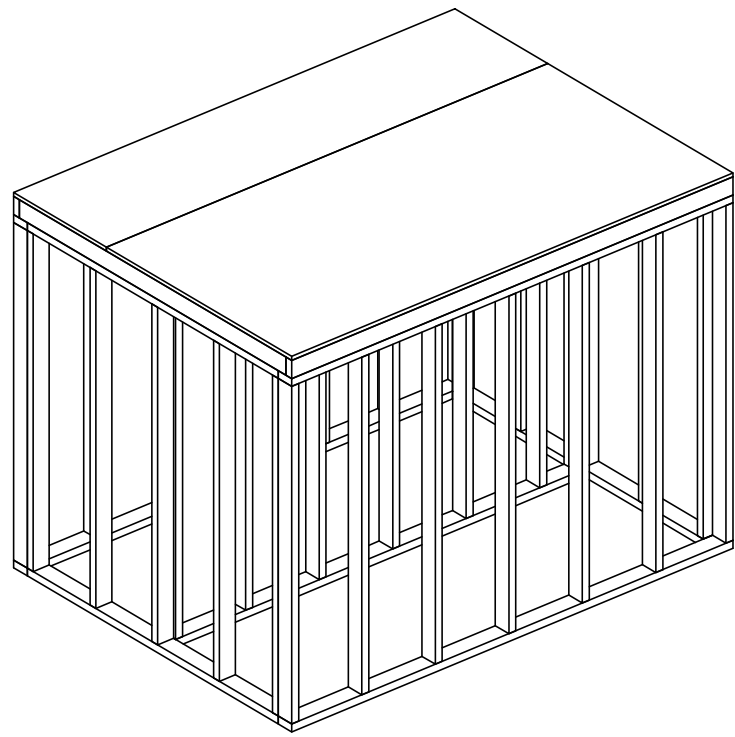


# Dracula

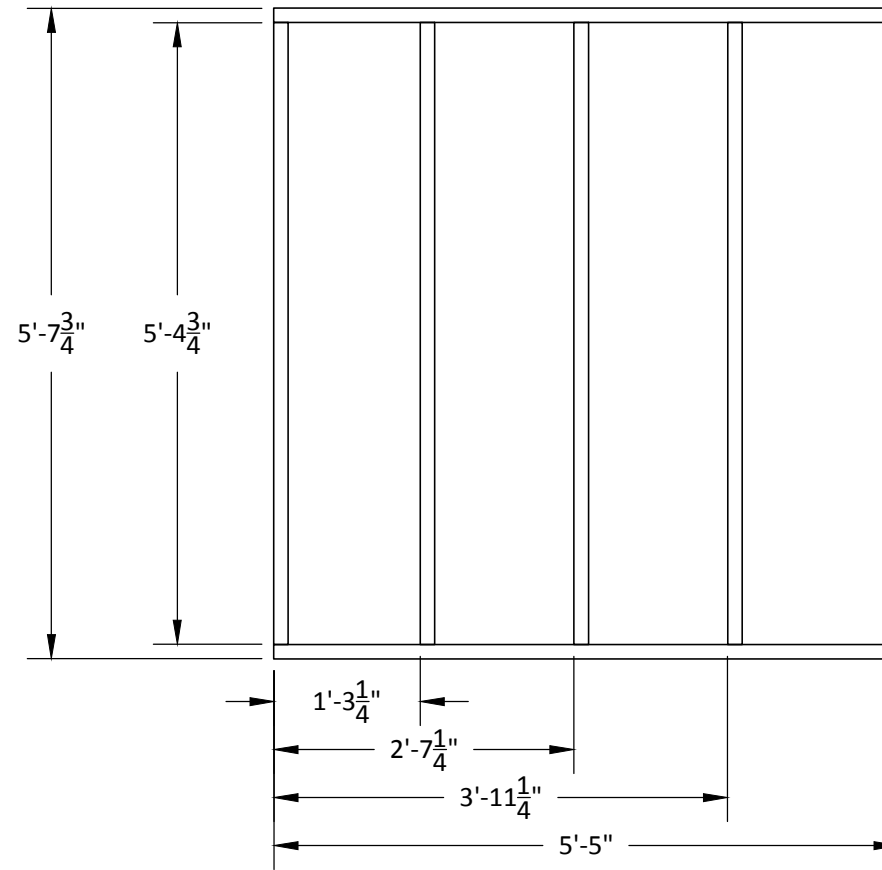
## Level 1 Outside Studwall 1

Director: B.Glenn	Designer: S.Culpepper
Tech Director: Aaron Mayer	Drafted By: A.Mayer
DWG Date: 9/24/2017	REV Date: Scale: As Noted

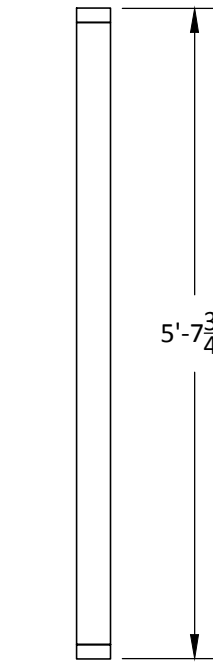
DWG #:  
**D10**



1 Level 1 Iso  
D11



Front View



Side View

2 Outside Studwall 2- Scale:  $\frac{1}{2}''=1'-0''$   
D11  
Build 2 from 2x4x12.  
Glue and Screw.



# Dracula

## Level 1 Outside Studwall 2

Director: B.Glenn

Designer: S.Culpepper

Tech Director: Aaron Mayer

Drafted By: A.Mayer

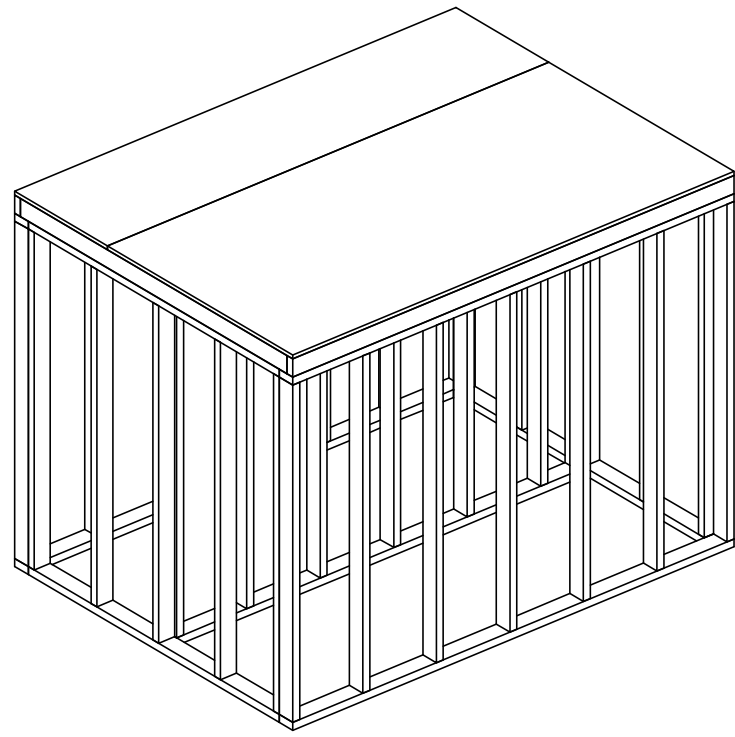
DWG Date: 9/24/2017

REV Date:

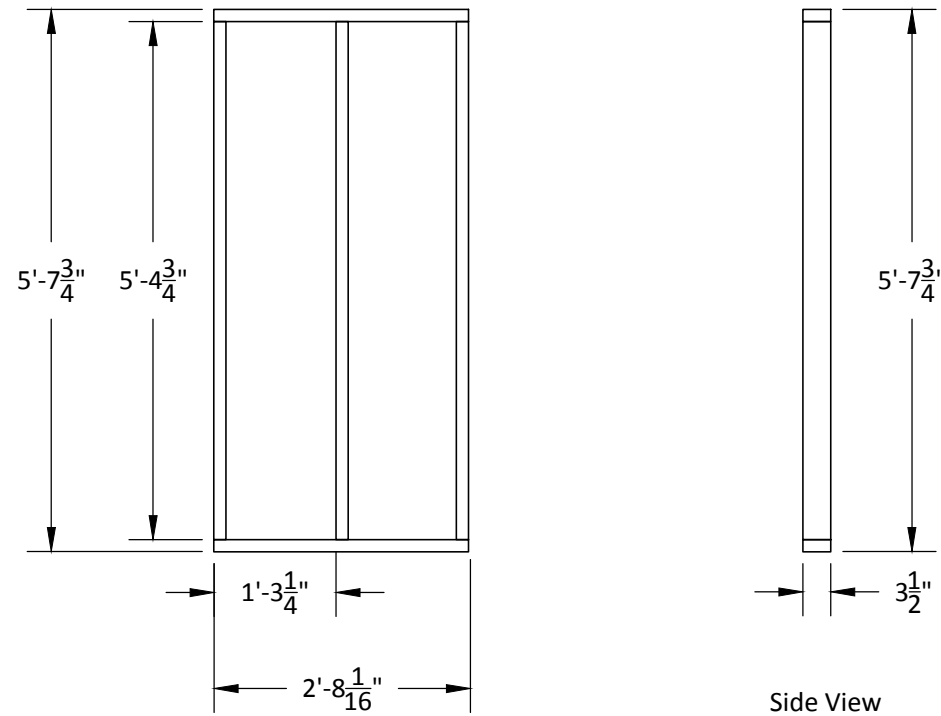
Scale: As Noted

DWG #:  
**D11**





1 Level 1 Iso  
D12



Front View

Side View

2 Outside Studwall 3- Scale:  $\frac{1}{2}"=1'-0"$   
D12  
Build 2 from 2x4x12.  
Glue and Screw.

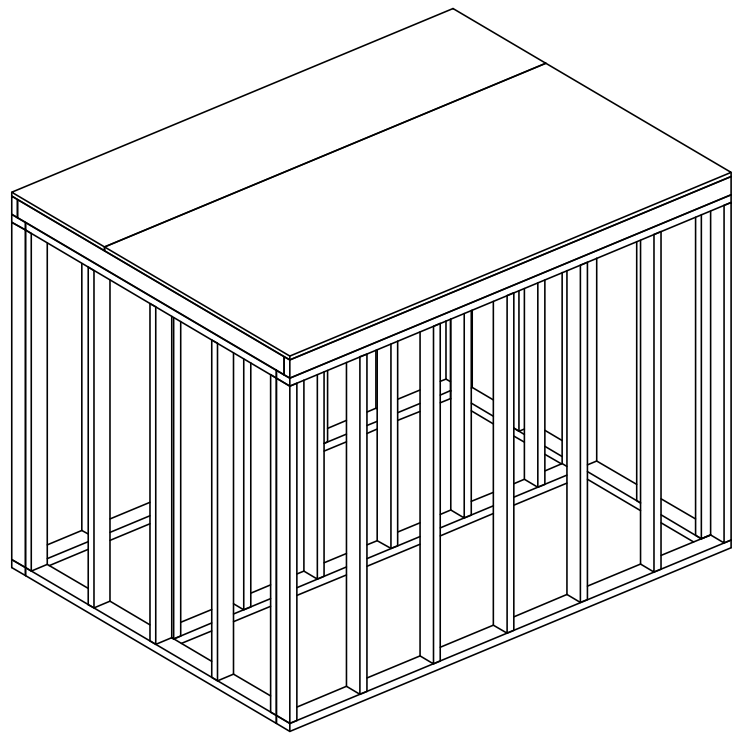


# Dracula

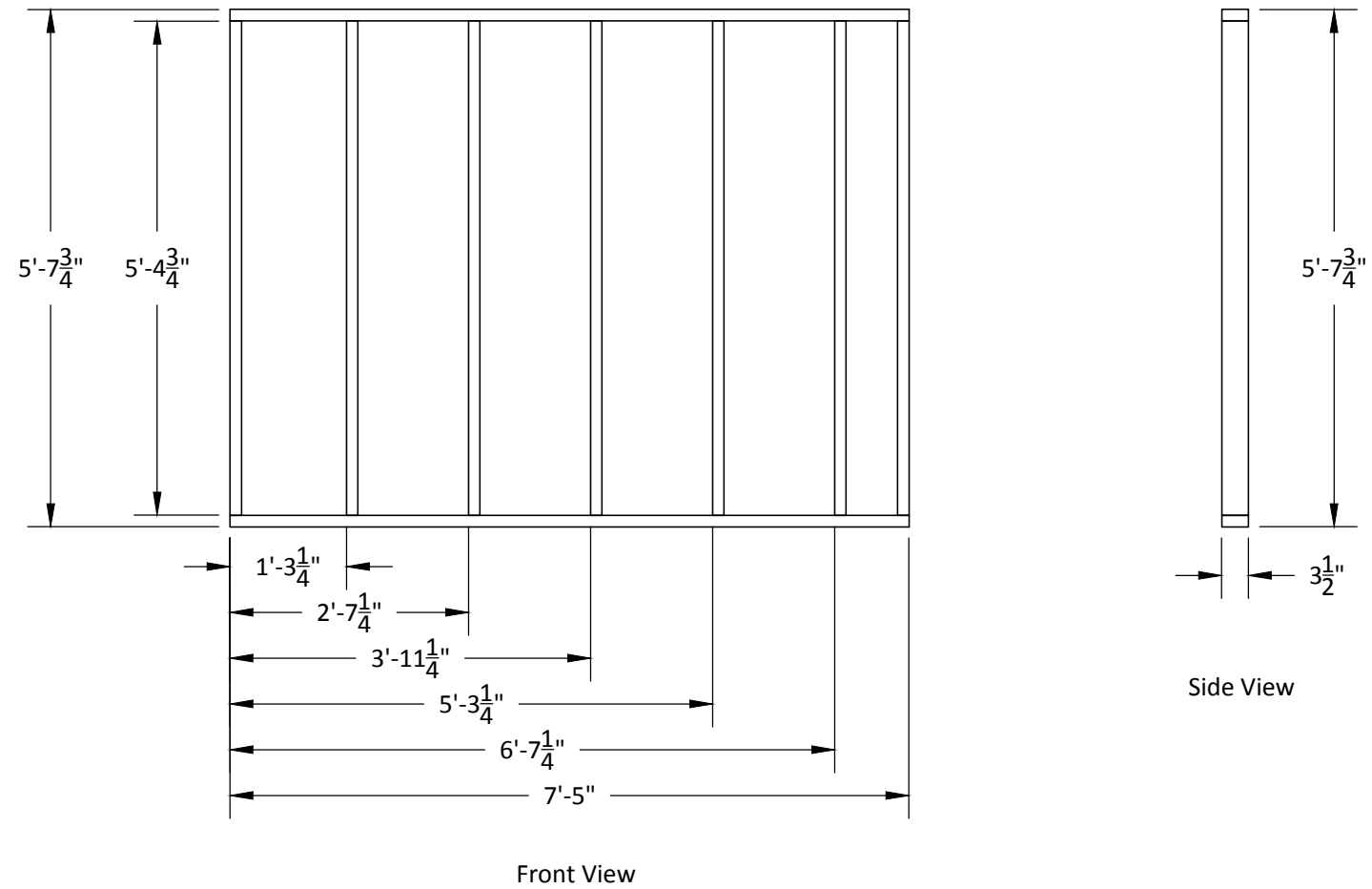
## Level 1 Outside Studwall 3

Director: B.Glenn	Designer: S.Culpepper
Tech Director: Aaron Mayer	Drafted By: A.Mayer
DWG Date: 9/24/2017	REV Date: Scale: As Noted

DWG #:  
**D12**



1 Level 1 Iso  
D13



2 Outside Studwall 1- Scale:  $\frac{1}{2}"=1'-0"$   
D13  
Build 1 from 2x4x12.  
Glue and Screw.

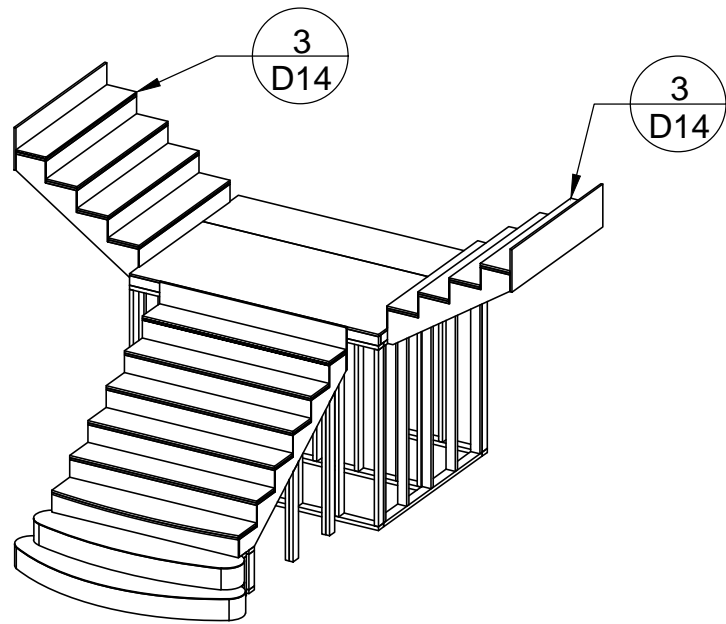


# Dracula

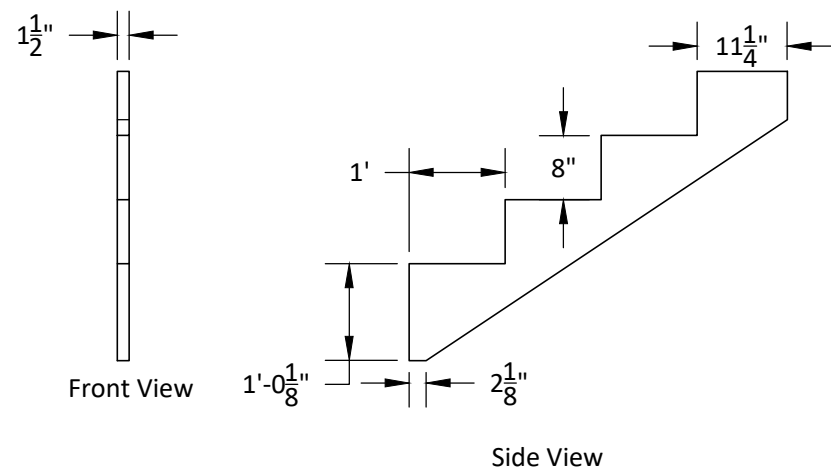
## Level 1 Inside Studwall

Director: B.Glenn	Designer: S.Culpepper
Tech Director: Aaron Mayer	Drafted By: A.Mayer
DWG Date: 9/24/2017	REV Date: Scale: As Noted

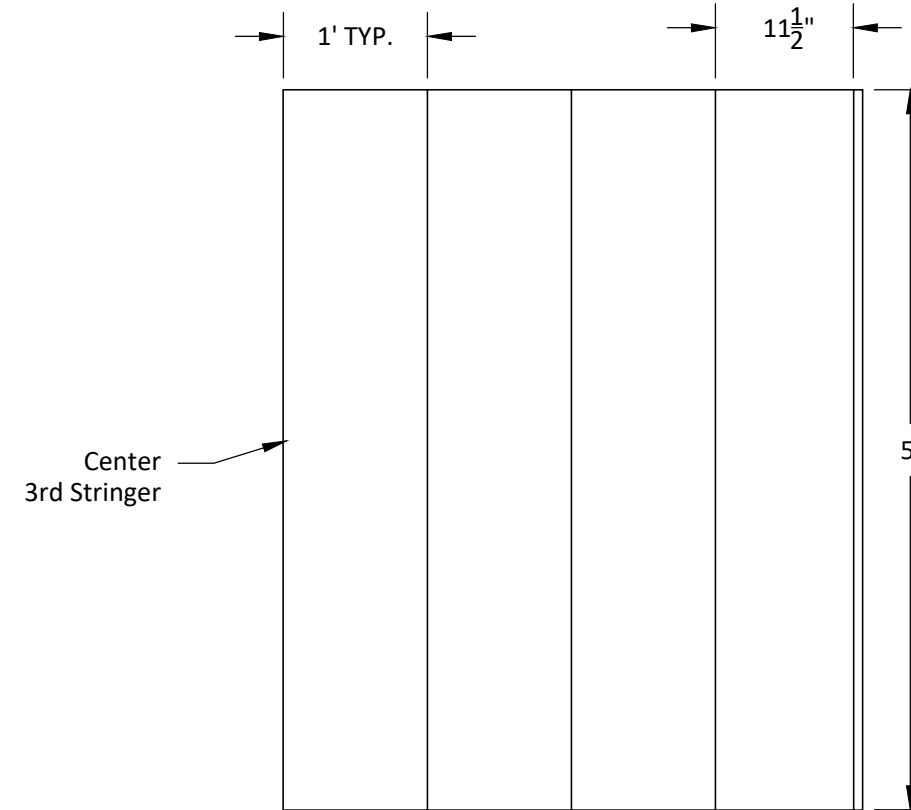
DWG #:  
**D13**



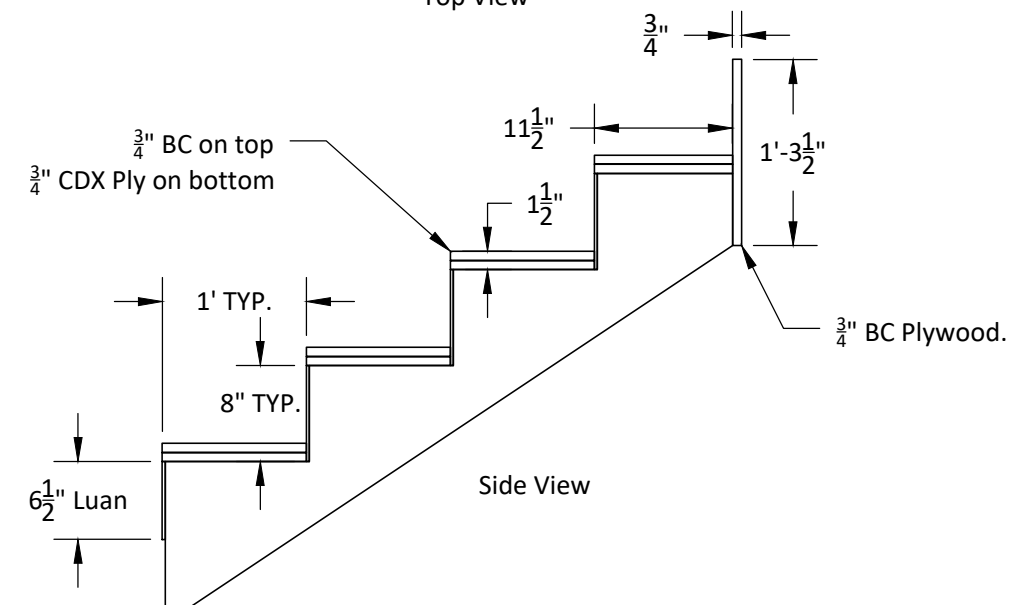
1 Center Stairs Iso  
D14



2 Stringer- Scale: 1/2"=1'-0"  
D14 Build 6 from 2x12x12.



Top View



3 Assembly- Scale: 3/4"=1'-0"  
D14 Assemble 2 from components.

Treads are 3/4" CDX on bottom and BC on top.  
Glue and screw CDX, Glue and Finish nail BC.  
Risers are luan. Glue and Brad.



# Dracula

## Left/Right Wing Stairs

Director: B.Glenn

Designer: S.Culpepper

Tech Director: Aaron Mayer

Drafted By: A.Mayer

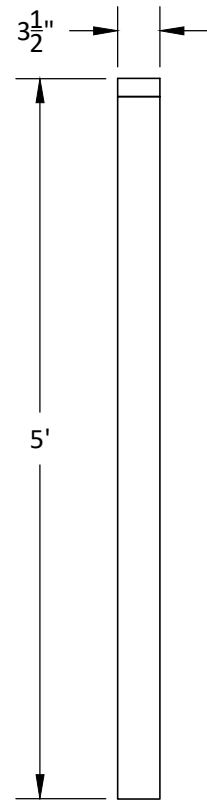
DWG Date: 9/24/2017

REV Date:

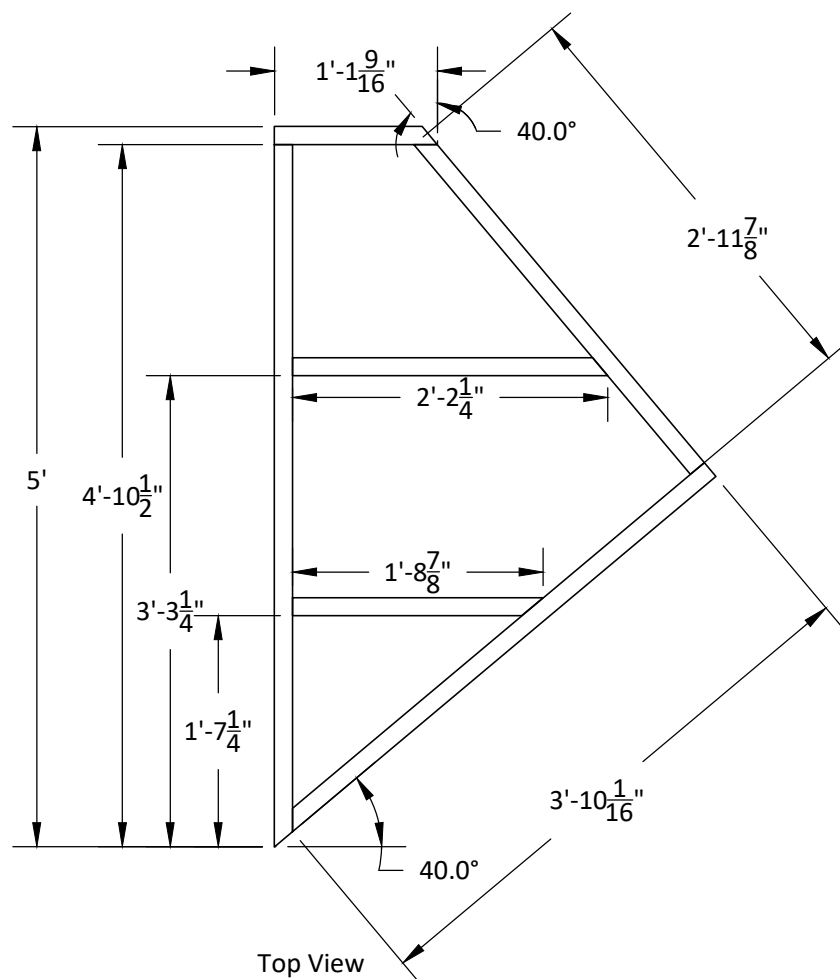
Scale: As Noted

DWG #:

**D14**

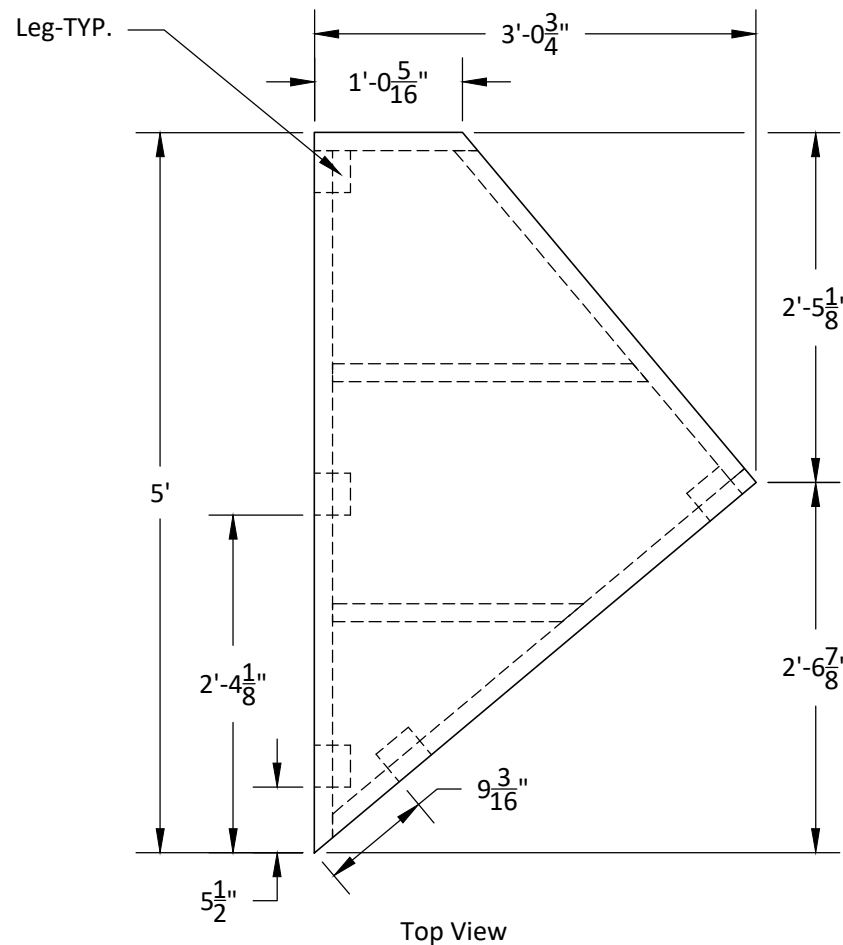


Side View

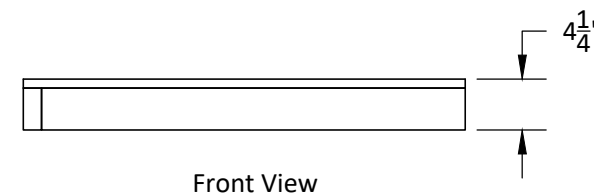


Top View

2  
D14 Frame- Scale:  $\frac{3}{4}$ "=1'-0"  
Build 1 from 2x4x12.  
Frame to lid.  
Glue and Screw.

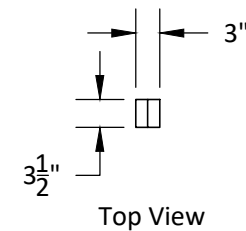


Top View

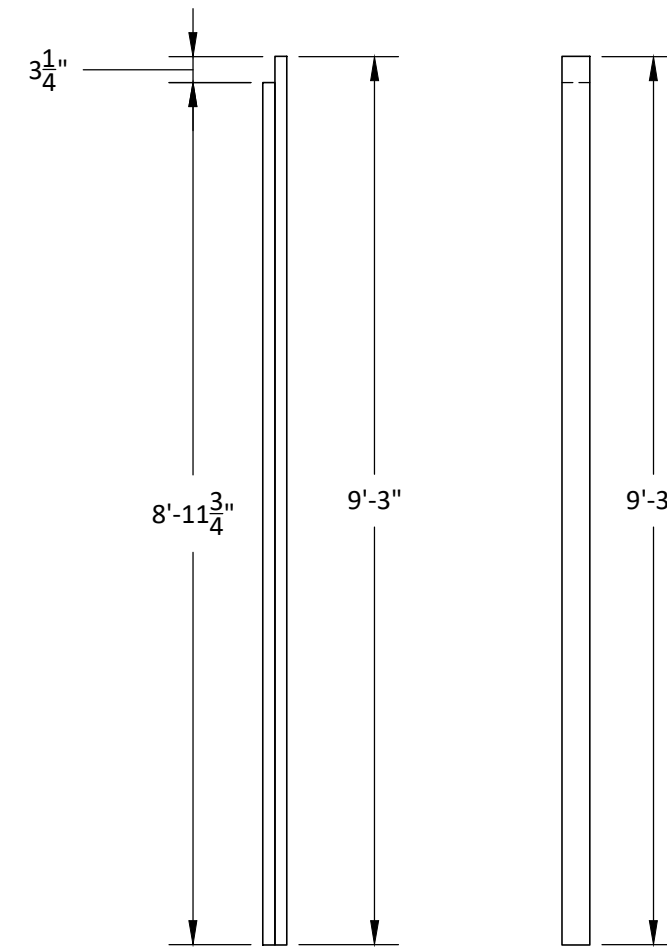


Front View

2  
D14 Deck- Scale:  $\frac{3}{4}$ "=1'-0"  
Deck with  $\frac{3}{4}$ " BC Plywood.  
Frame to lid.  
Glue and Screw.



Top View



Side View

Front View

2  
D14 Legs- Scale:  $\frac{1}{2}$ "=1'-0"  
Build 5 from 2x4x12.  
Glue and Screw.



# Dracula

## SL Wing Step

Director: B.Glenn

Designer: S.Culpepper

Tech Director: Aaron Mayer

Drafted By: A.Mayer

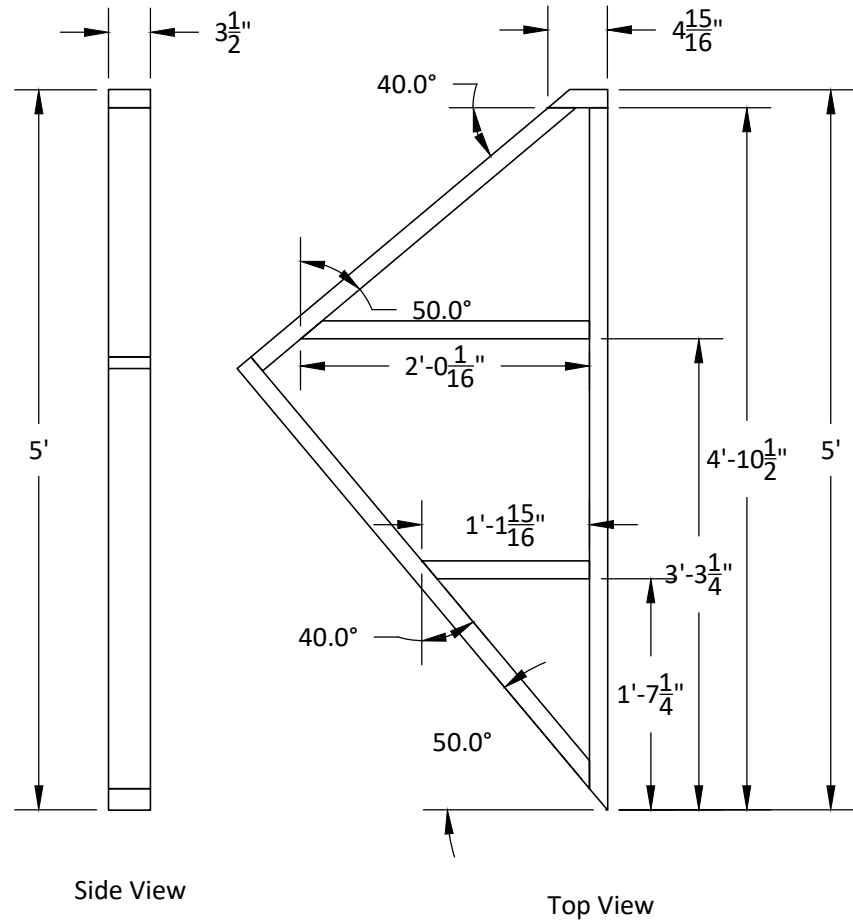
DWG Date: 9/24/2017

REV Date:

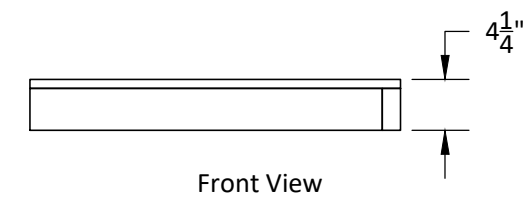
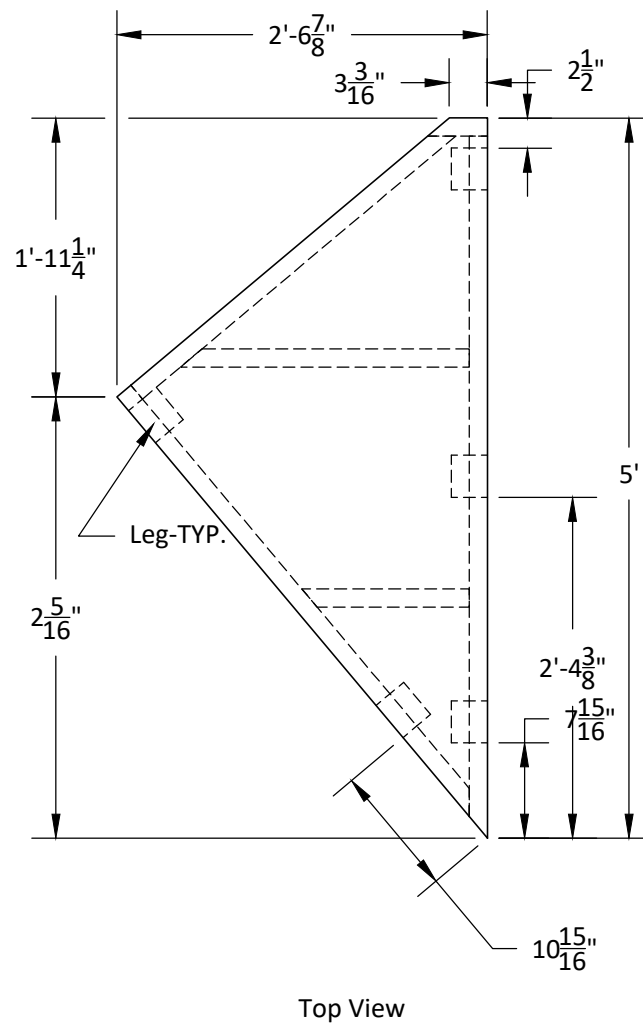
Scale: As Noted

DWG #:

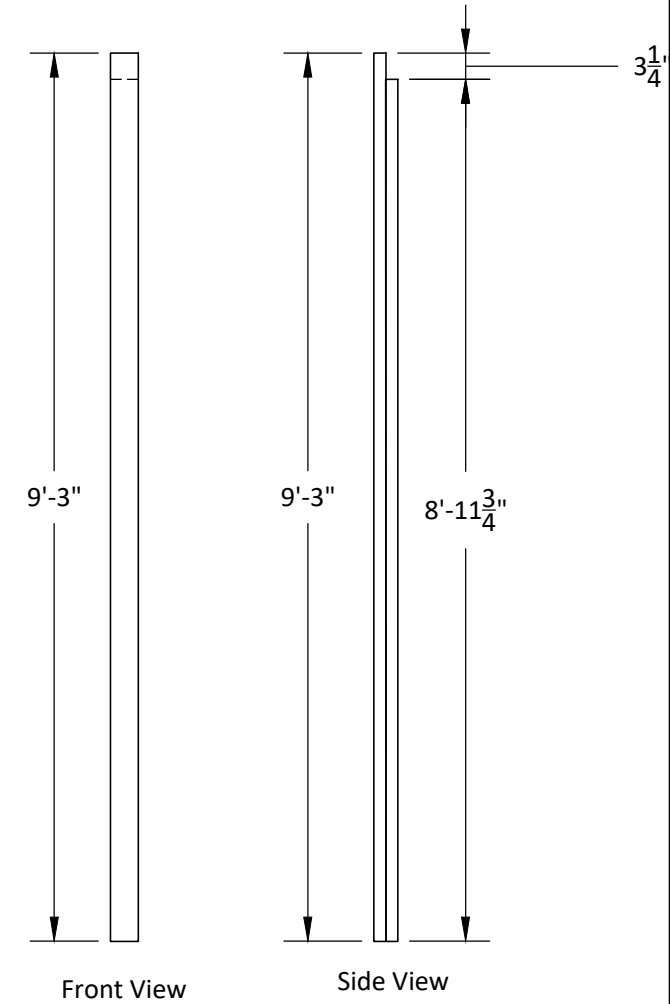
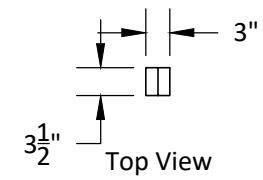
**D15**



2 Frame- Scale:  $\frac{3}{4}$ "=1'-0"  
 D14 Build 1 from 2x4x12.  
 Frame to lid.  
 Glue and Screw.



2 Deck- Scale:  $\frac{3}{4}$ "=1'-0"  
 D14 Deck with  $\frac{3}{4}$ " BC Plywood.  
 Frame to lid.  
 Glue and Screw.



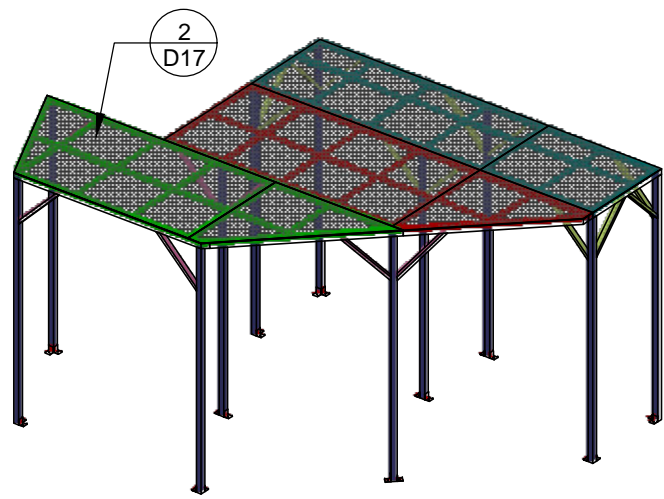
2 Legs- Scale:  $\frac{1}{2}$ "=1'-0"  
 D14 Build 5 from 2x4x12.  
 Glue and Screw.



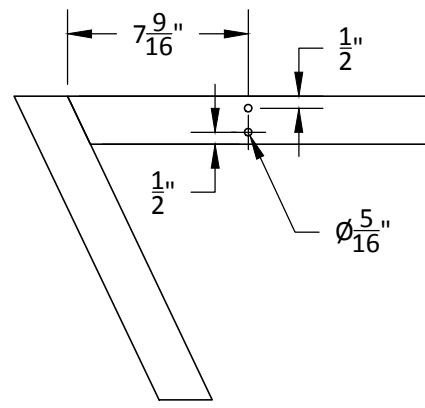
# Dracula

<b>SR Wing Step</b>		
Director: B.Glenn	Designer: S.Culpepper	
Tech Director: Aaron Mayer	Drafted By: A.Mayer	
DWG Date: 9/24/2017	REV Date:	Scale: As Noted

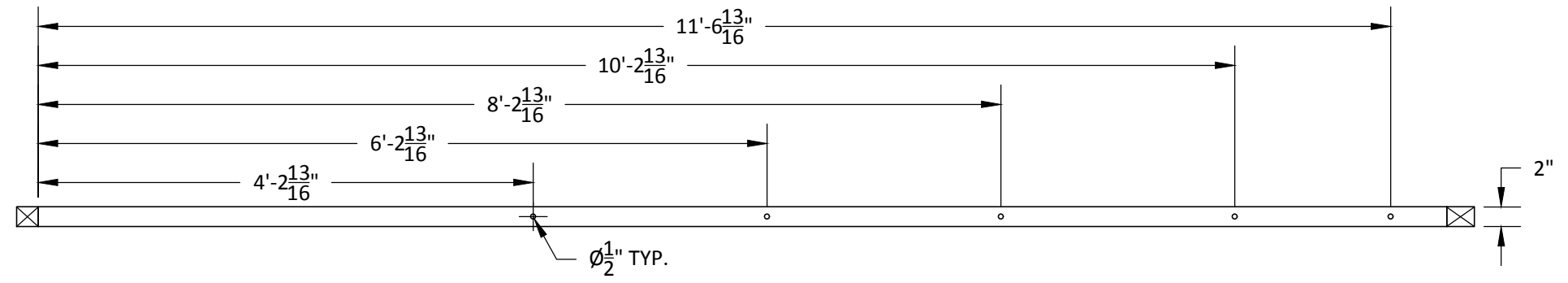
DWG #:  
**D16**



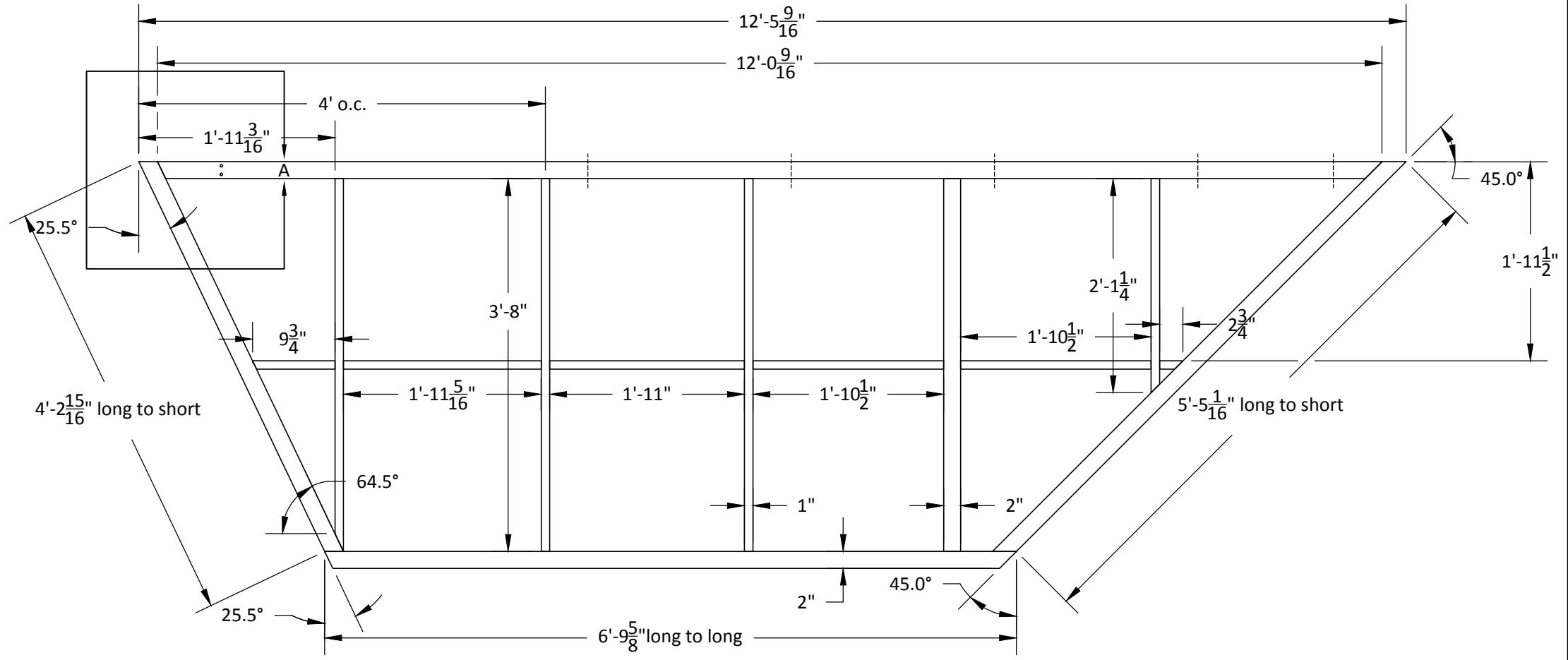
1  
D17  
Torture Platform Iso



DETAIL A  
SCALE 1-1/2" = 1'-0"



Back View



Top View

2  
D17  
Frame- Scale: 3/4"=1'-0"  
Build 1 from 2x2 and 2x1 box tube.  
Drill Holes.  
Weld all perimeter faces and all fillets.  
Grind faces.

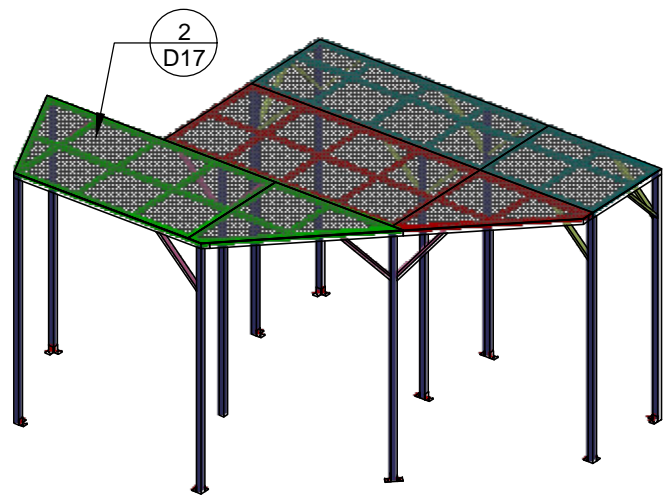


# Dracula

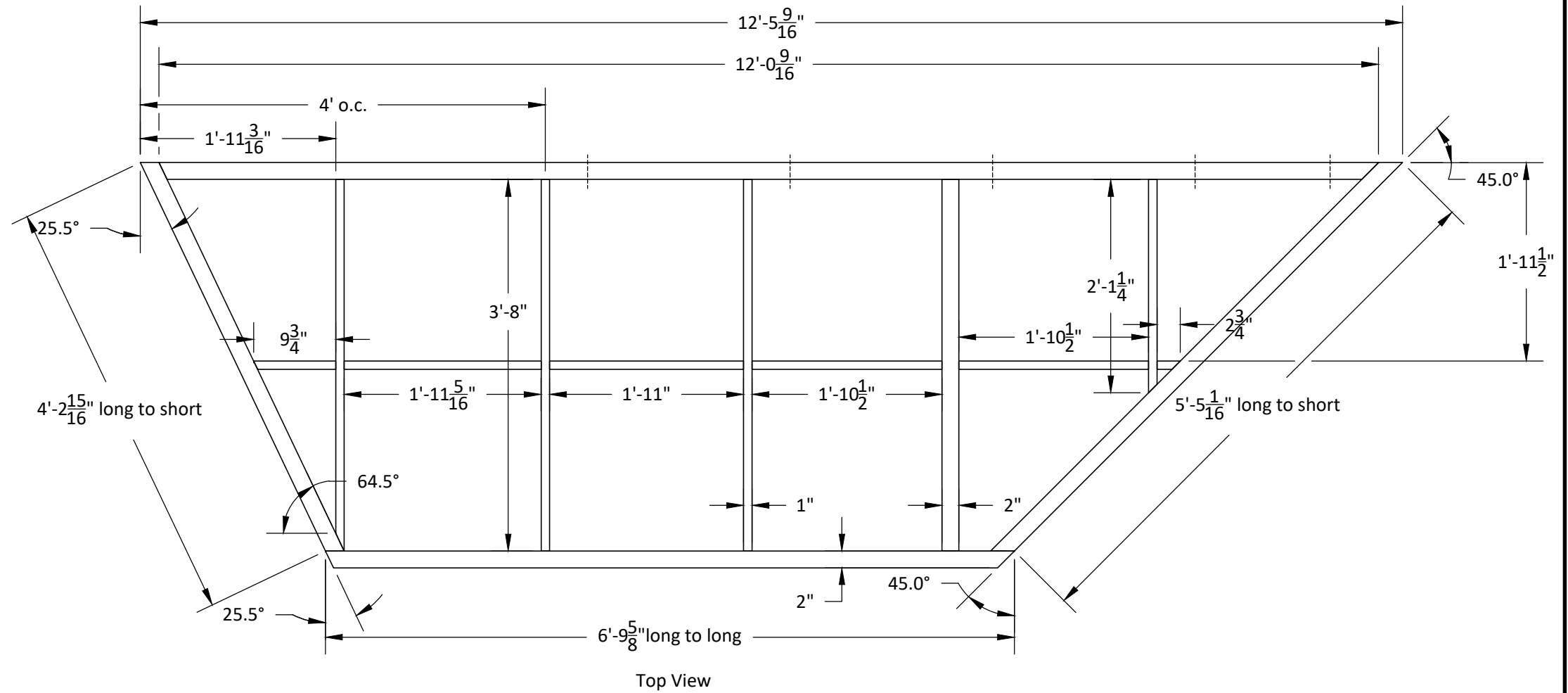
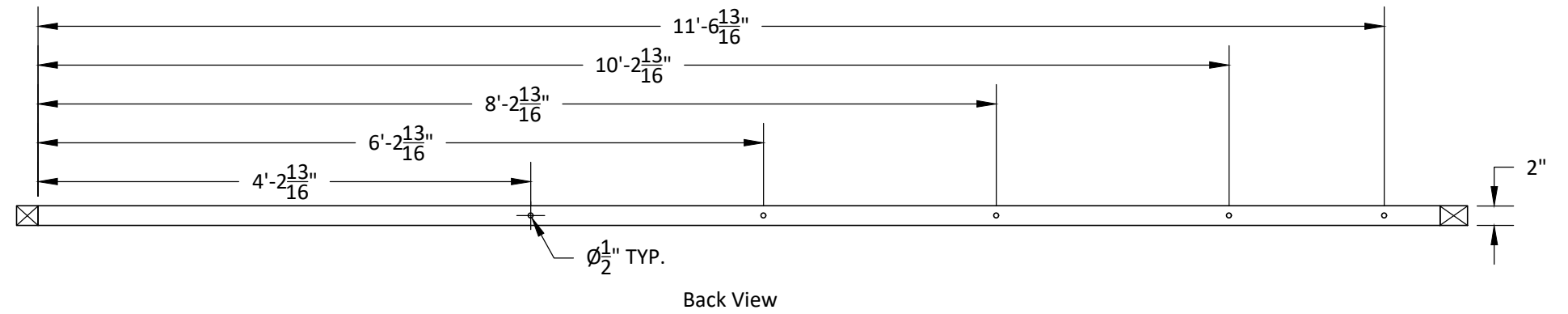
## Torture platform steel frame 1

Director: B.Glenn	Designer: S.Culpepper
Tech Director: Aaron Mayer	Drafted By: A.Mayer
DWG Date: 9/26/2017	REV Date: 9/27/2017 V2 Scale: As Noted

DWG #:  
**D17**



1  
D17 Torture Platform Iso



2  
D17 Frame- Scale:  $\frac{3}{4}"=1'-0"$   
 Build 1 from 2x2 and 2x1 box tube.  
 Drill Holes.  
 Weld all perimeter faces and all fillets.  
 Grind faces.

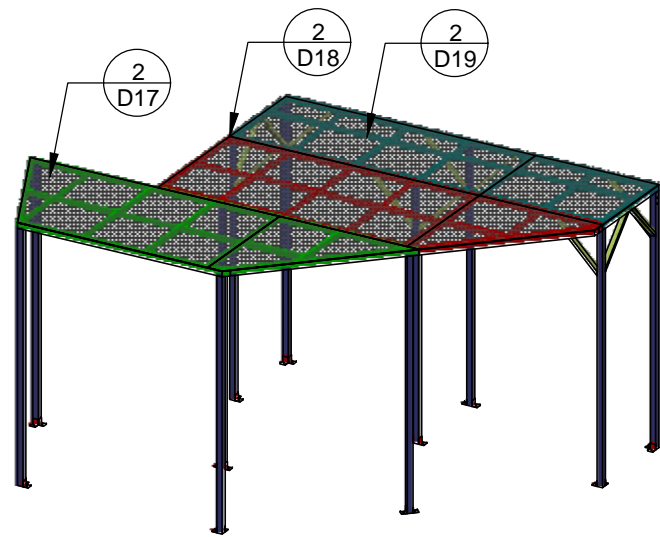


# Dracula

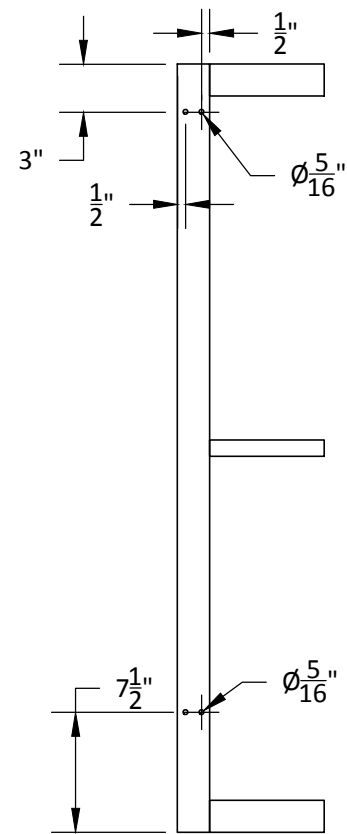
## Torture platform steel frame 1

Director: B.Glenn	Designer: S.Culpepper
Tech Director: Aaron Mayer	Drafted By: A.Mayer
DWG Date: 9/26/2017	REV Date: Scale: As Noted

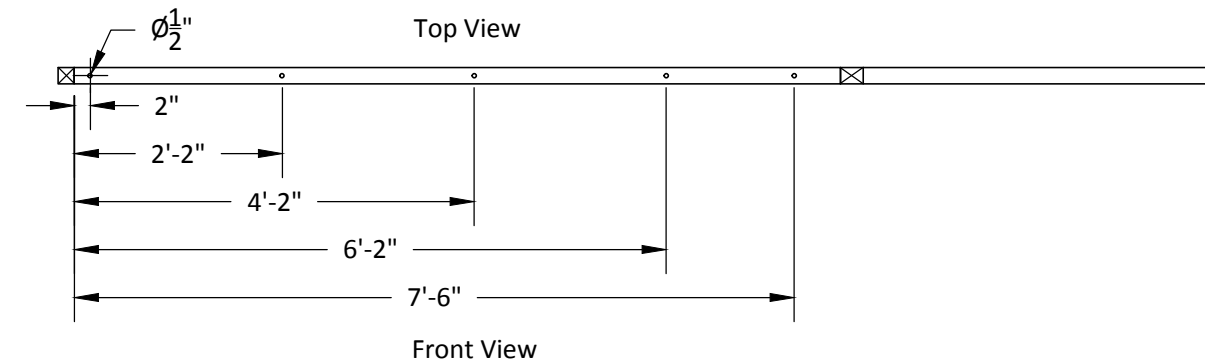
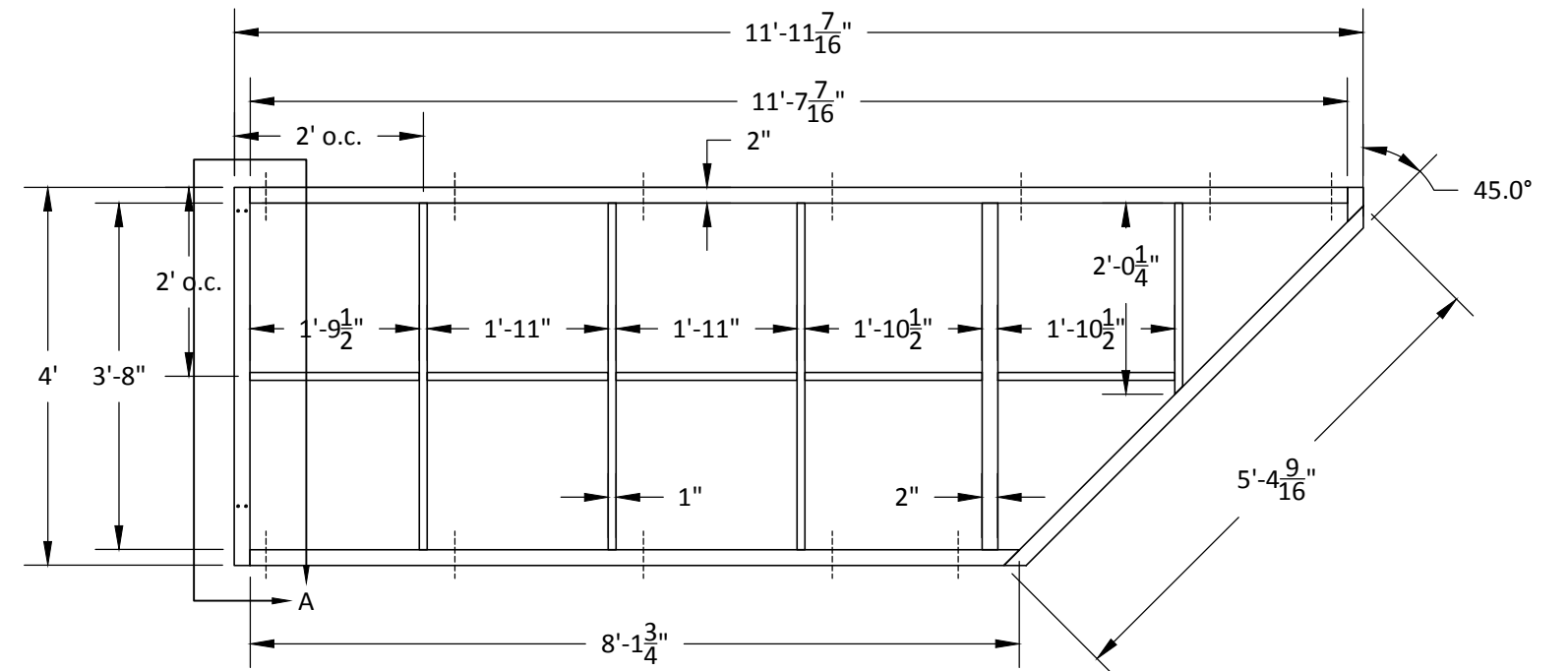
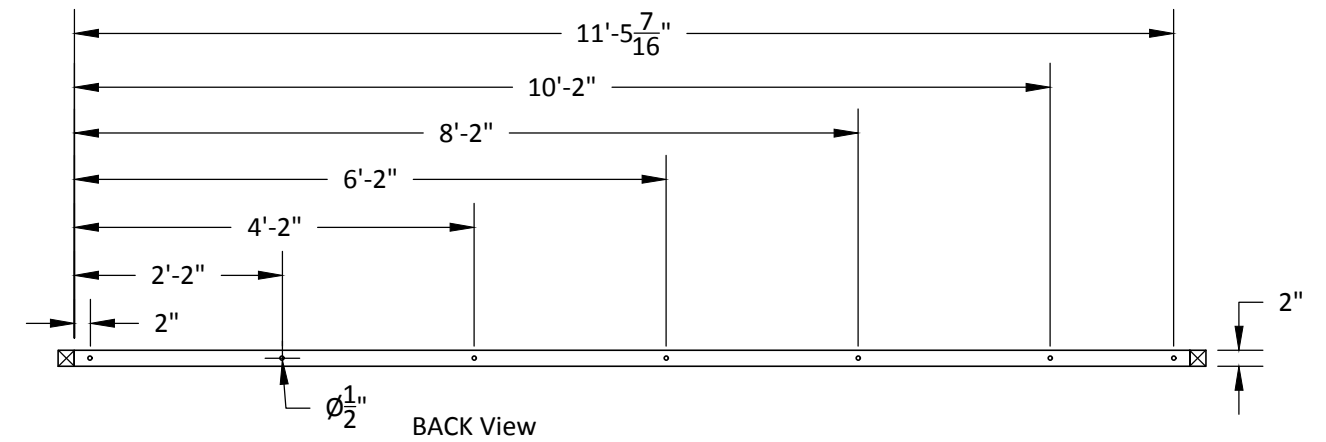
DWG #:  
**D17**



1 Torture Platform Iso  
D18



DETAIL A  
SCALE 1" = 1'-0"



2 Frame- Scale:  $\frac{3}{4}$ " = 1'-0"  
D18 Build 1 from 2x2 and 2x1 box tube.  
Drill Holes.  
Weld all perimeter faces and all fillets.  
Grind faces.



# Dracula

## Torture platform steel frame 2

Director: B.Glenn

Designer: S.Culpepper

Tech Director: Aaron Mayer

Drafted By: A.Mayer

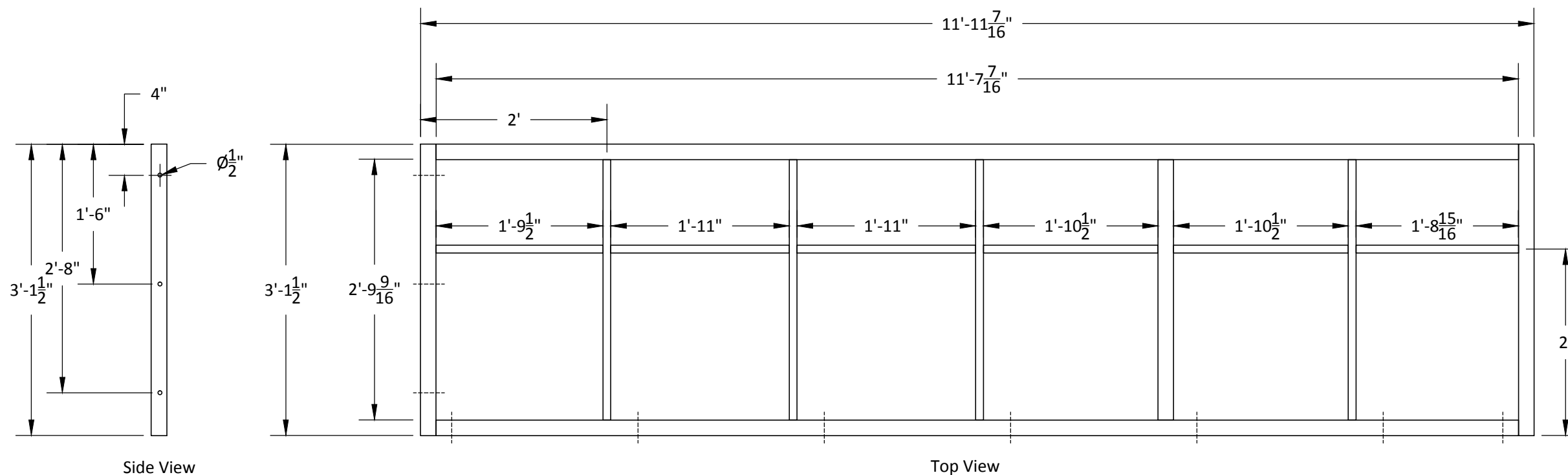
DWG Date: 9/28/2017

REV Date:

Scale: As Noted

DWG #:  
**D18**





2 Frame- Scale:  $\frac{3}{4}$ "=1'-0"  
 D19 Build 1 from 2x2 and 2x1 box tube.  
 Drill Holes.  
 Weld all perimeter faces and all fillets.  
 Grind faces.

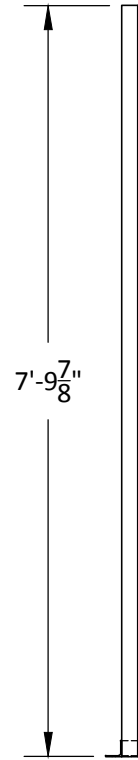


# Dracula

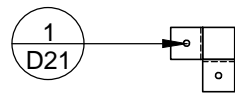
## Torture platform steel frame 3

Director: B.Glenn	Designer: S.Culpepper
Tech Director: Aaron Mayer	Drafted By: A.Mayer
DWG Date: 9/28/2017	REV Date: Scale: As Noted

DWG #:  
**D19**

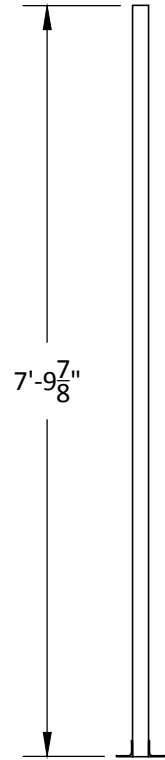


Front View

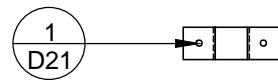


BOTTOM View-  
Scale: 1"=1'-0"

**1**  
D20 Leg Style 1- Scale:  $\frac{1}{2}$ "=1'-0"  
Build 5 from 2x2 box tube.  
Weld on feet.

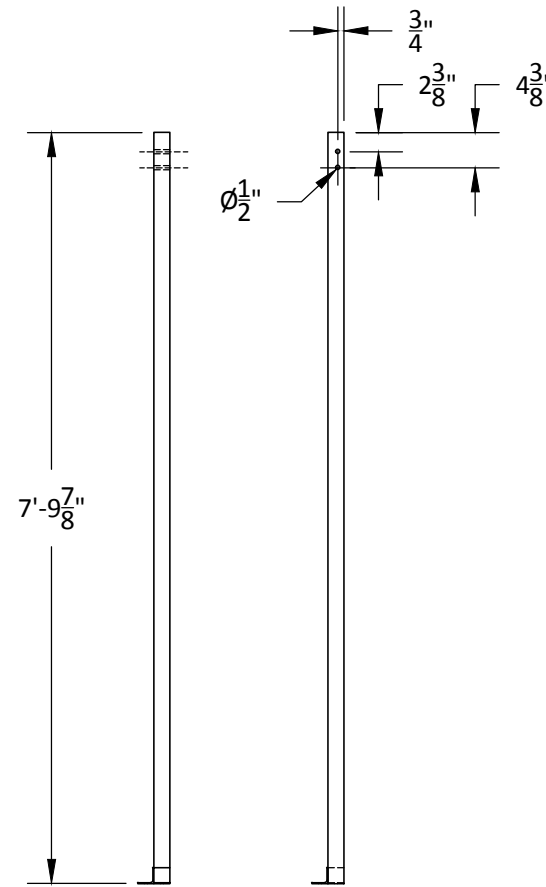


Front View

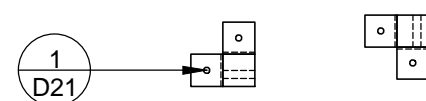


BOTTOM View-  
Scale: 1"=1'-0"

**2**  
D20 Leg Style 1- Scale:  $\frac{1}{2}$ "=1'-0"  
Build 4 from 2x2 box tube.  
Weld on feet.

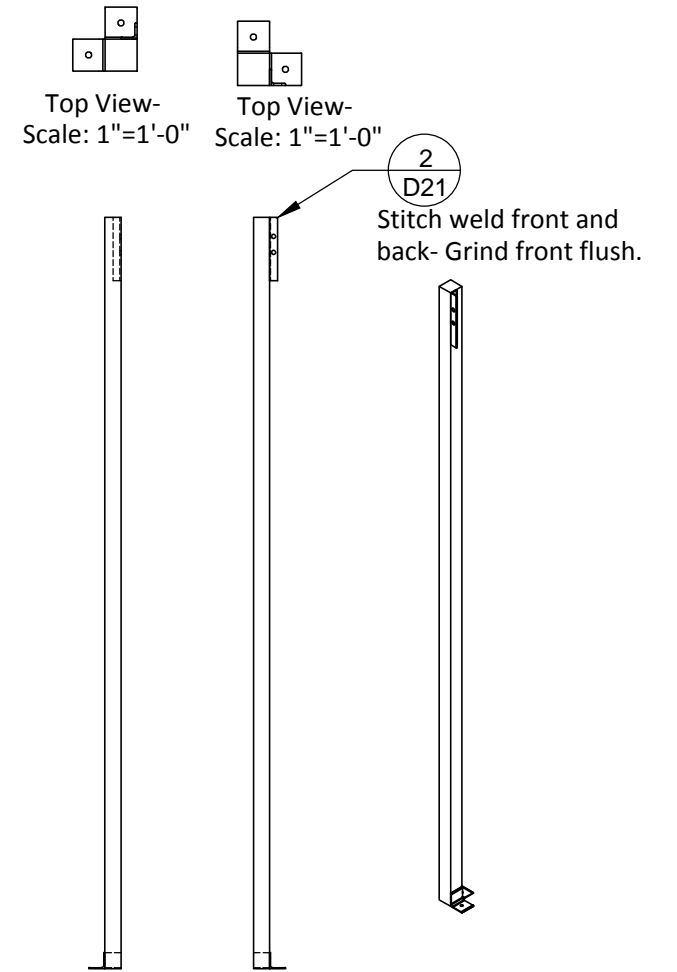


Front View Side View

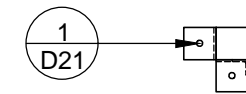


BOTTOM View-  
Scale: 1"=1'-0" BOTTOM View-  
Scale: 1"=1'-0"

**3**  
D20 Leg Style 1- Scale:  $\frac{1}{2}$ "=1'-0"  
Build 1 from 2x2 box tube.  
Weld on feet.



Front View Side View



BOTTOM View-  
Scale: 1"=1'-0"

**4**  
D20 Leg Style 1- Scale:  $\frac{1}{2}$ "=1'-0"  
Build 1 from 2x2 box tube.  
Weld on feet.

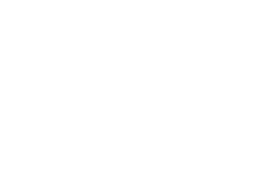


# Dracula

## Torture platform legs

Director: B.Glenn	Designer: S.Culpepper
Tech Director: Aaron Mayer	Drafted By: A.Mayer
DWG Date: 9/28/2017	REV Date: Scale: As Noted

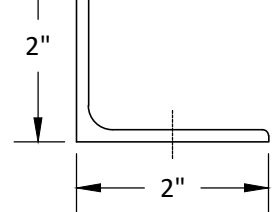
DWG #:  
**D20**



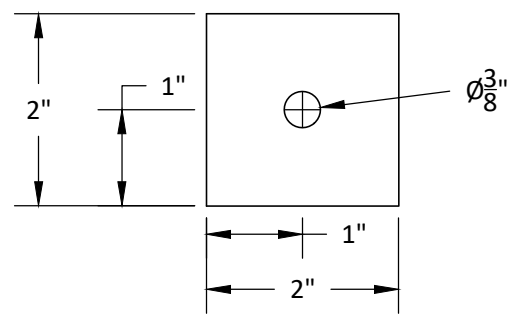
Top View



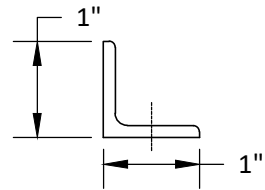
Iso View



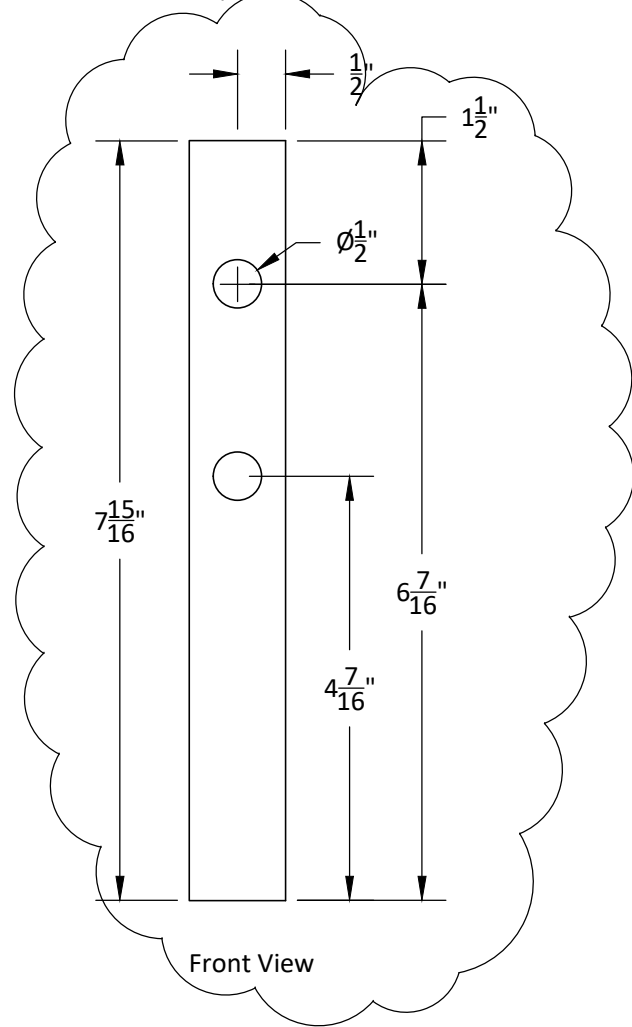
Front View



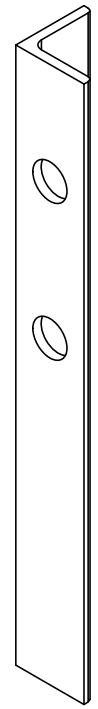
BOTTOM View



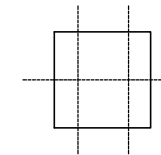
Top View



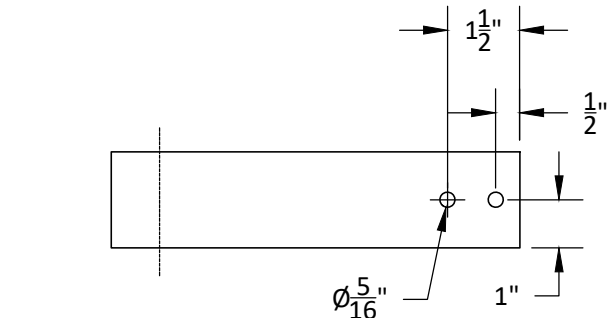
Front View



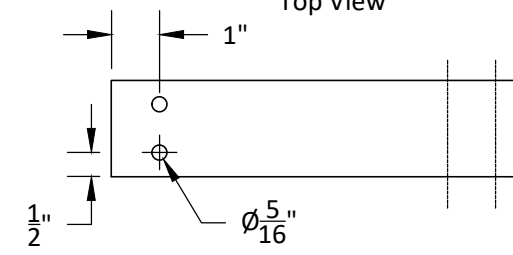
Iso View



Side View

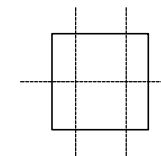


Top View

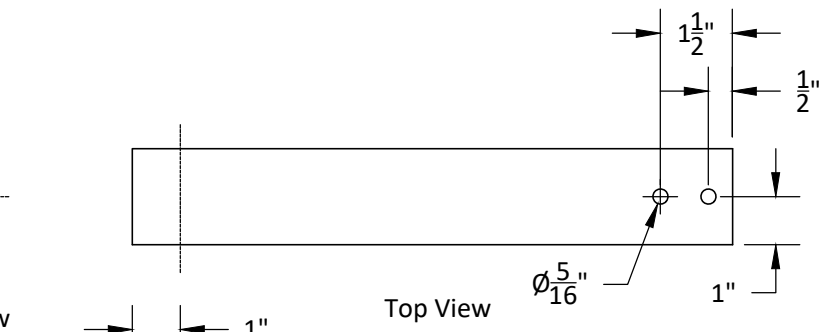


Front View

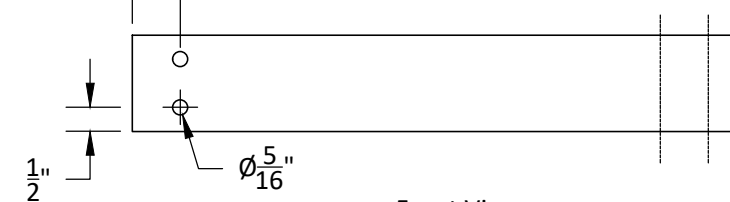
2 Leg/Platform Tieback Style 1- Scale: 3"=1'-0"  
 D20 Build 2 from 2x2 Box tube scrap.  
 Drill Holes.



Side View



Top View



Front View

3 Leg/Platform Tieback Style 2- Scale: 3"=1'-0"  
 D21 Build 2 from 2x2 Box tube scrap.  
 Drill Holes.

1 Leg Feet- Scale: 6"=1'-0"  
 D21 Build 40 from 2x2x1/8" Angle Iron.

2 Leg/Stair Bracket- Scale: 6"=1'-0"  
 D21 Build 1 from 1x1x1/8" Angle Iron.  
 Drill Holes.

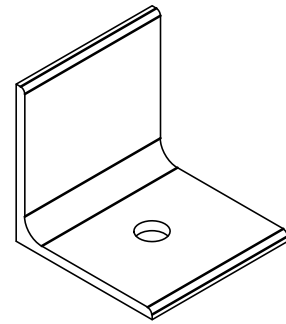
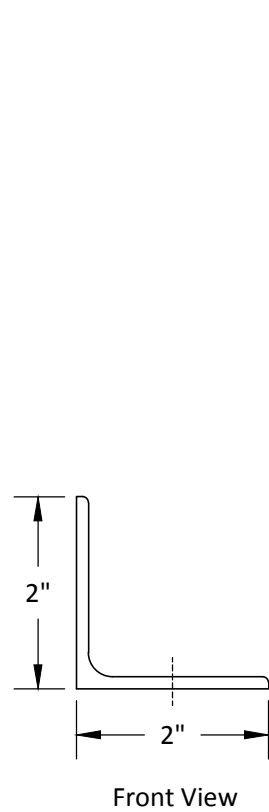


# Dracula

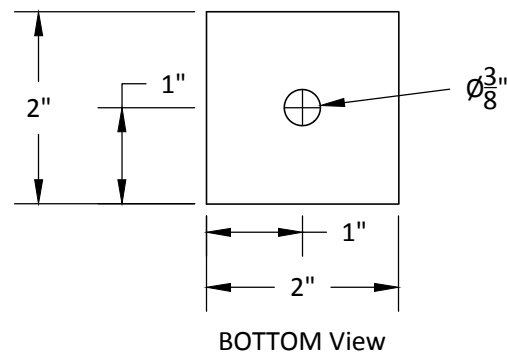
## Torture platform brackets

Director: B.Glenn	Designer: S.Culpepper
Tech Director: Aaron Mayer	Drafted By: A.Mayer
DWG Date: 9/28/2017	REV Date: 9/30/2017 V2 Scale: As Noted

DWG #:  
**D21**

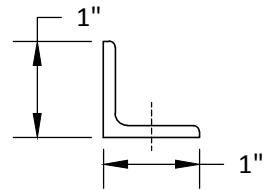


Iso View

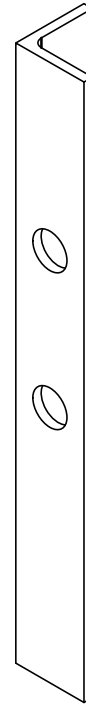


BOTTOM View

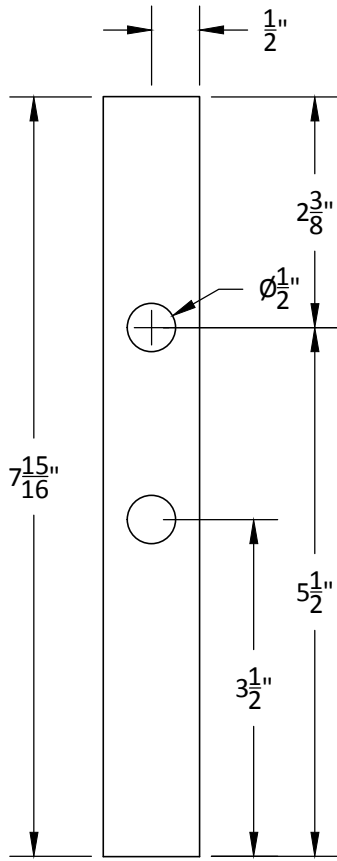
1  
D21 Leg Feet- Scale: 6"=1'-0"  
Build 22 from 2x2x1/8" Angle Iron.



Top View

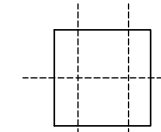


Iso View

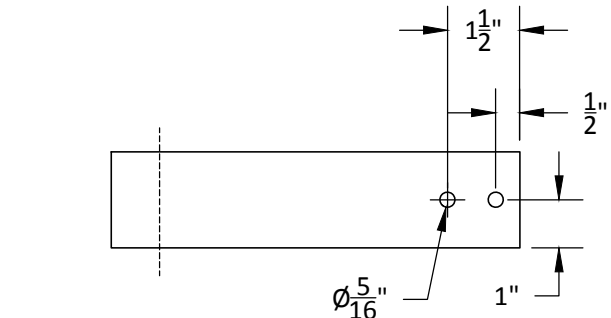


Front View

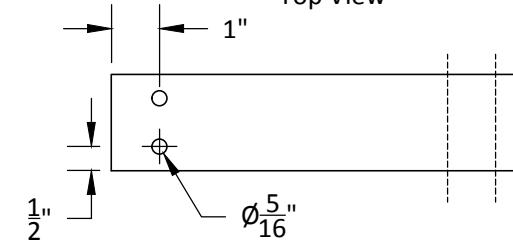
2  
D21 Leg/Stair Bracket- Scale: 6"=1'-0"  
Build 1 from 1x1x1/8" Angle Iron.  
Drill Holes.



Side View

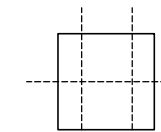


Top View

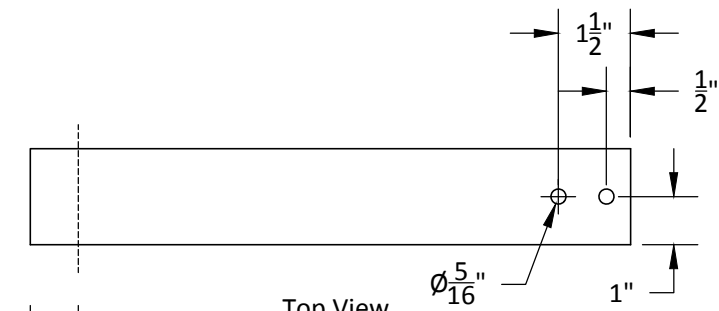


Front View

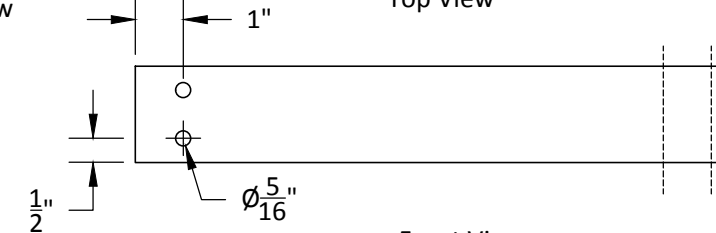
2  
D20 Leg/Platform Tieback Style 1- Scale: 3"=1'-0"  
Build 2 from 2x2 Box tube scrap.  
Drill Holes.



Side View



Top View



Front View

3  
D21 Leg/Platform Tieback Style 2- Scale: 3"=1'-0"  
Build 2 from 2x2 Box tube scrap.  
Drill Holes.



# Dracula

## Torture platform brackets

Director: B.Glenn

Designer: S.Culpepper

Tech Director: Aaron Mayer

Drafted By: A.Mayer

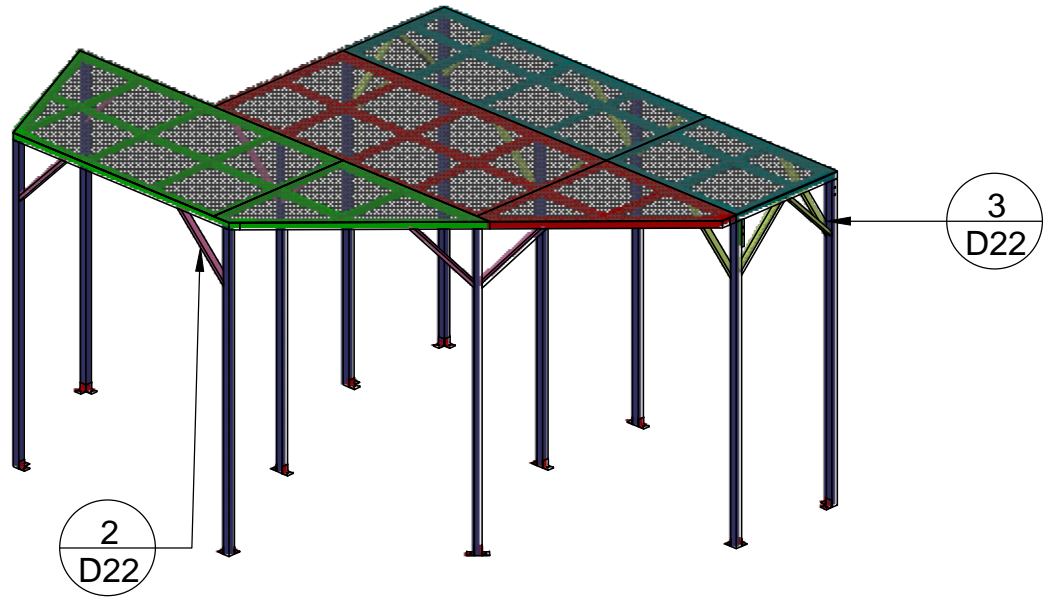
DWG Date: 9/28/2017

REV Date:

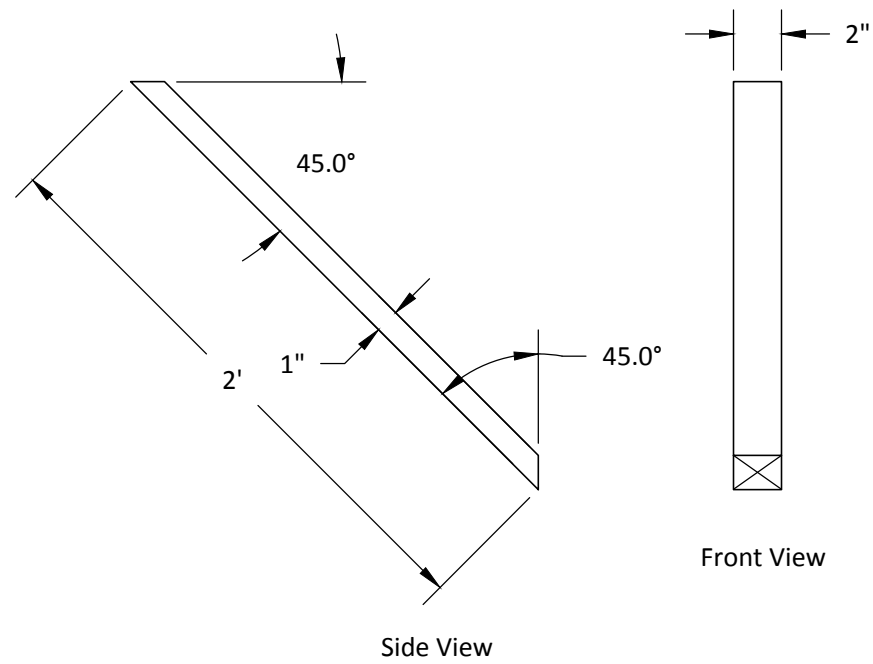
Scale: As Noted

DWG #:

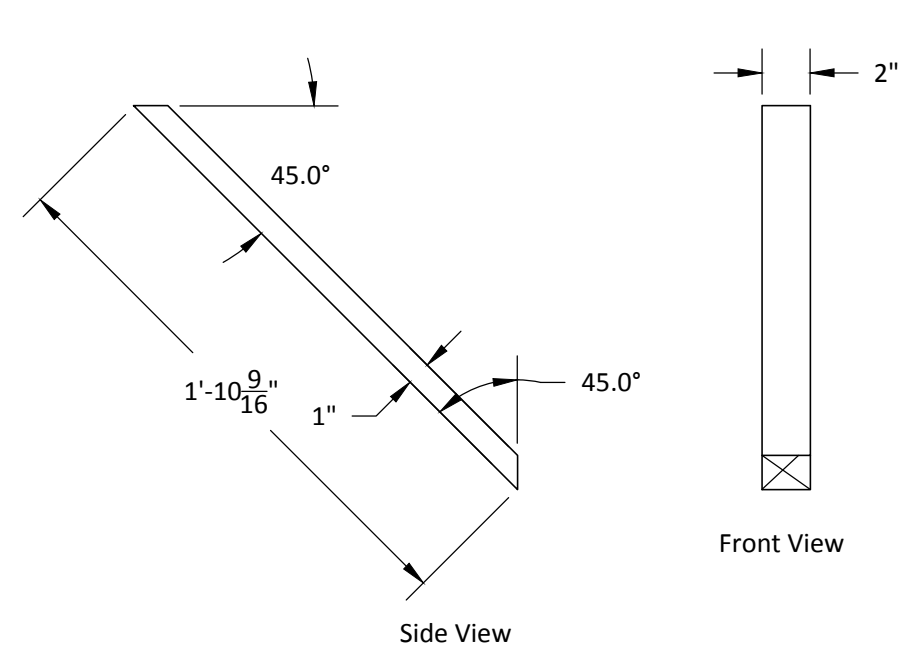
**D21**



1  
D22 Torture Platform Iso



2  
D22 Bracing Style 1- Scale:  $1\frac{1}{2}''=1'-0''$   
Build 14 from 2x1 box tube.



3  
D22 Bracing Style 2- Scale:  $1\frac{1}{2}''=1'-0''$   
Build 4 from 2x1 box tube.

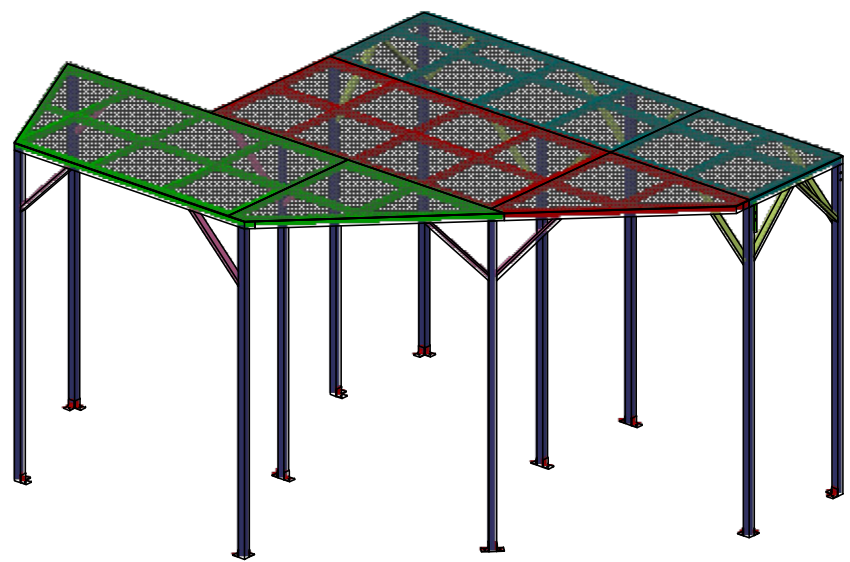


# Dracula

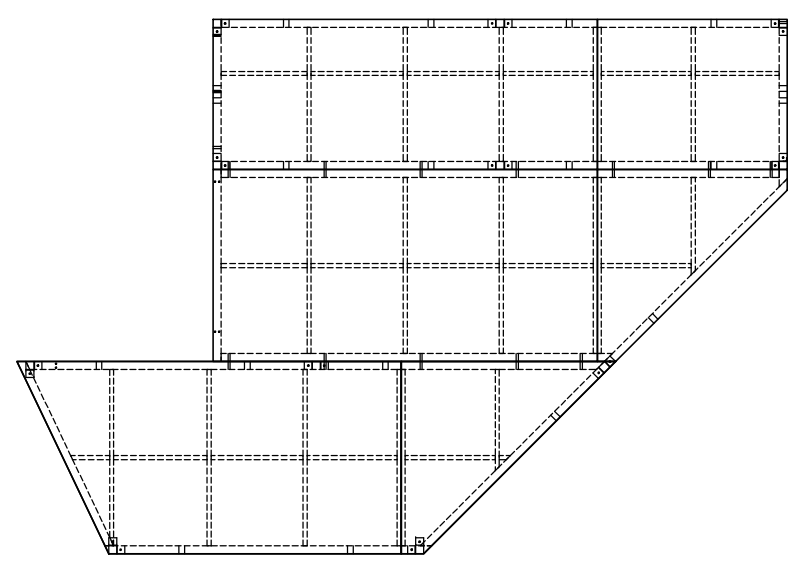
## Torture platform legs bracing

Director: B.Glenn	Designer: S.Culpepper
Tech Director: Aaron Mayer	Drafted By: A.Mayer
DWG Date: 9/28/2017	REV Date: Scale: As Noted

DWG #:  
**D22**

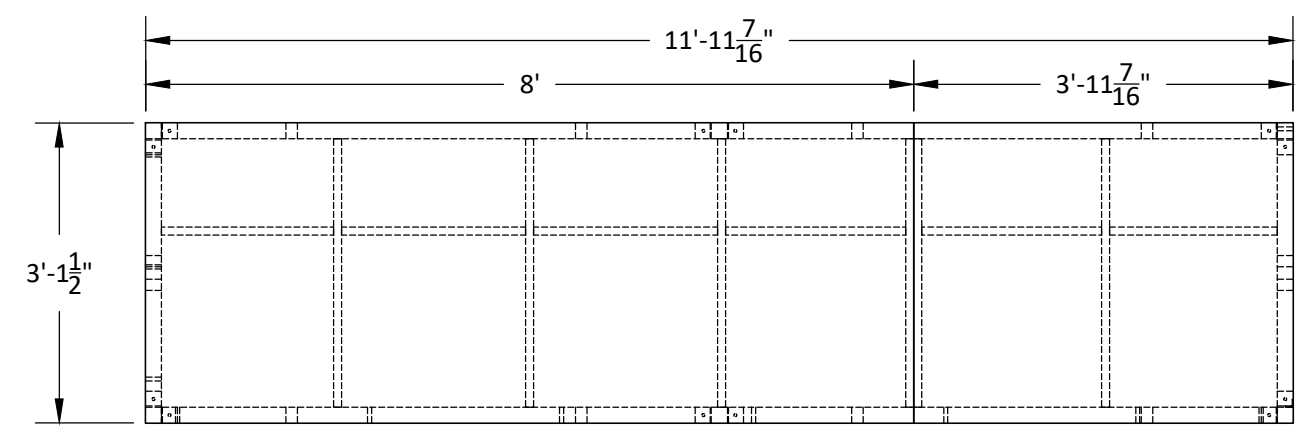


1 Torture Platform Iso  
D23

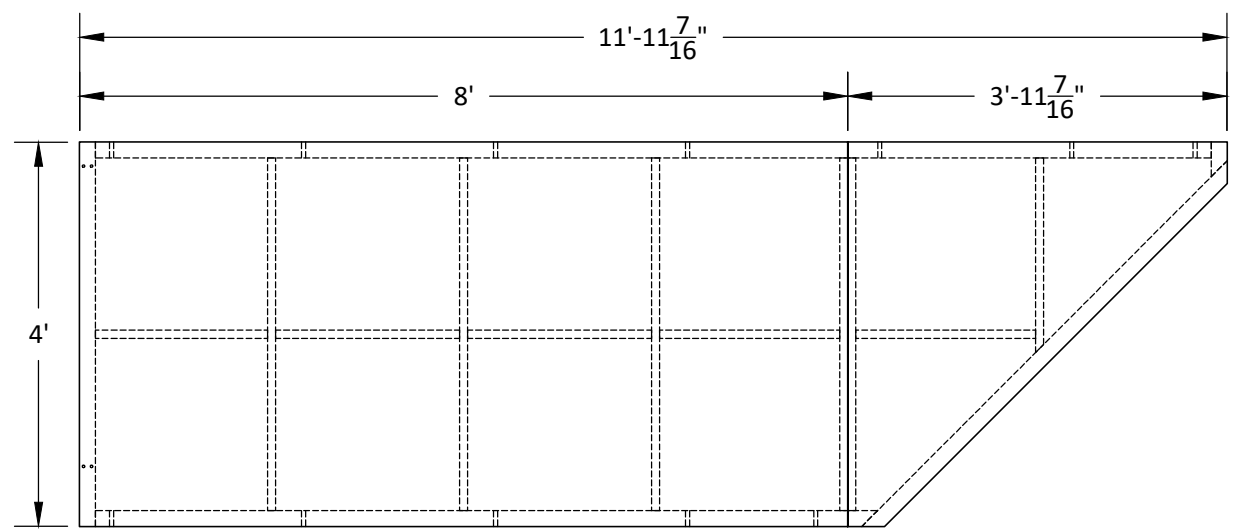


Top View

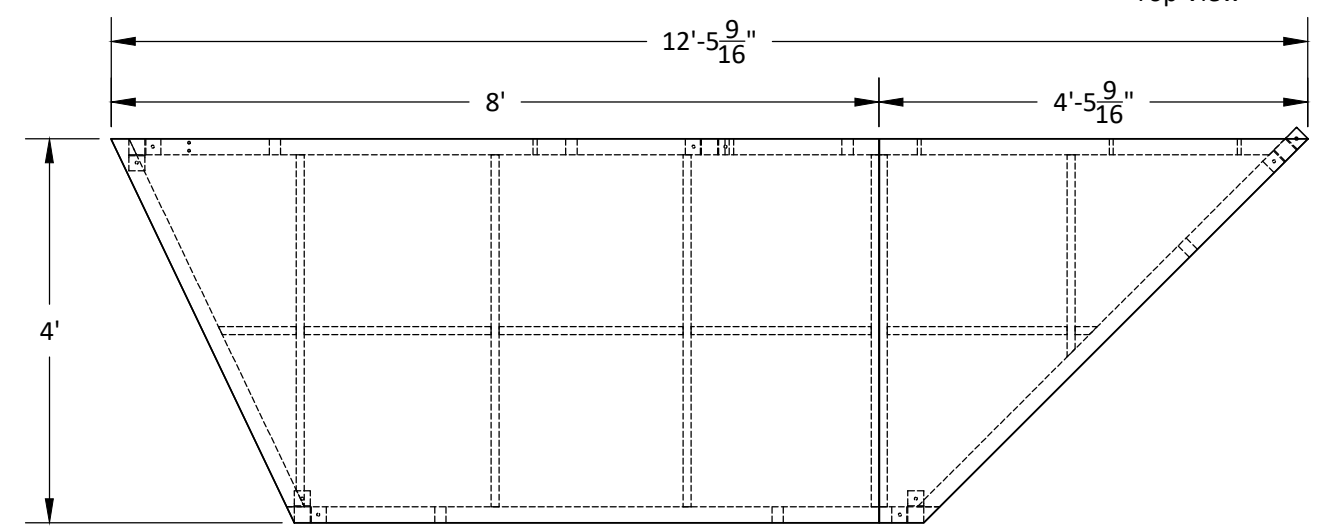
2 Platform Unit- Scale:  $\frac{1}{4}''=1'-0''$   
D23 Only 5 sheets available for decking with steel mesh. Use offcut carefully.



Platform 3  
Top View



Platform 2  
Top View



Platform 1  
Top View

2 Bracing Style 2- Scale:  $1\frac{1}{2}''=1'-0''$   
D23 Deck each frame with steel mesh. Trace frame with paint pen, cut with plasma torch. Use no more than 5 sheets.

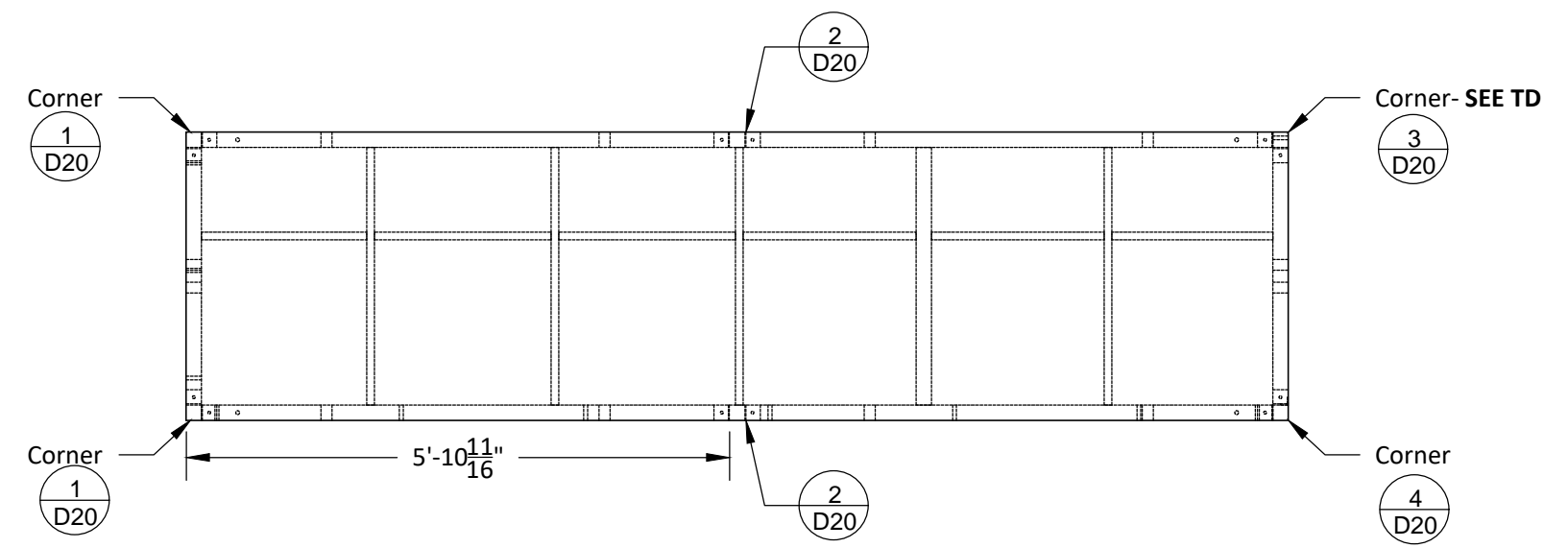
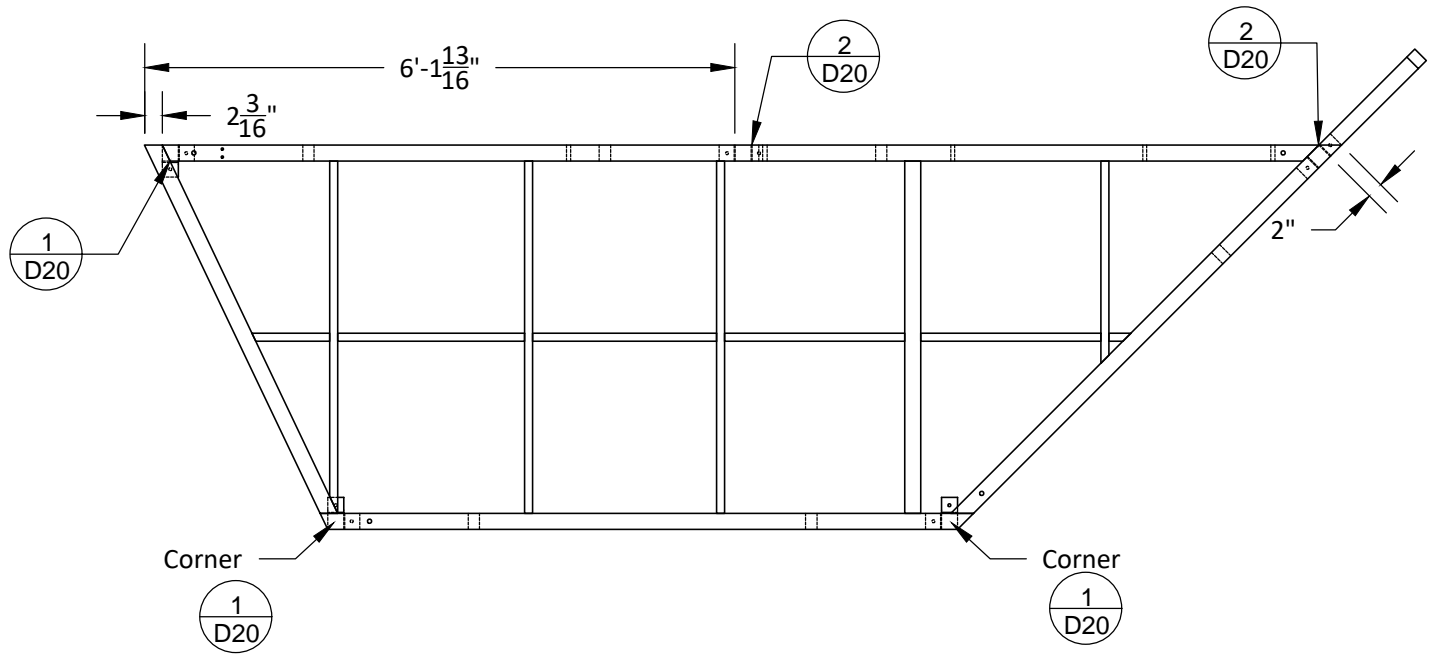


# Dracula

## Torture platform decking

Director: B.Glenn	Designer: S.Culpepper
Tech Director: Aaron Mayer	Drafted By: A.Mayer
DWG Date: 9/28/2017	REV Date: Scale: As Noted

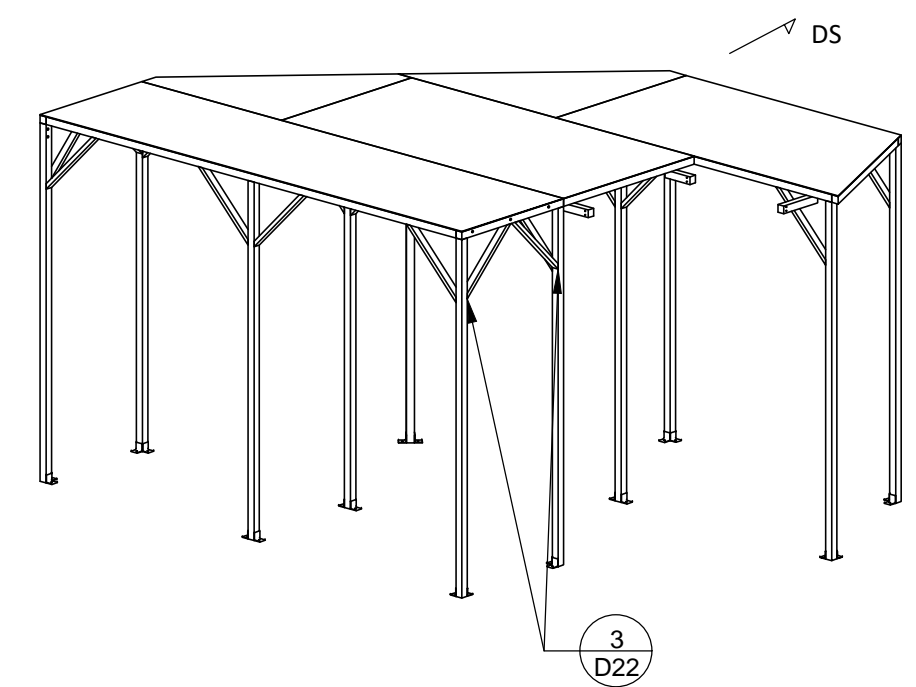
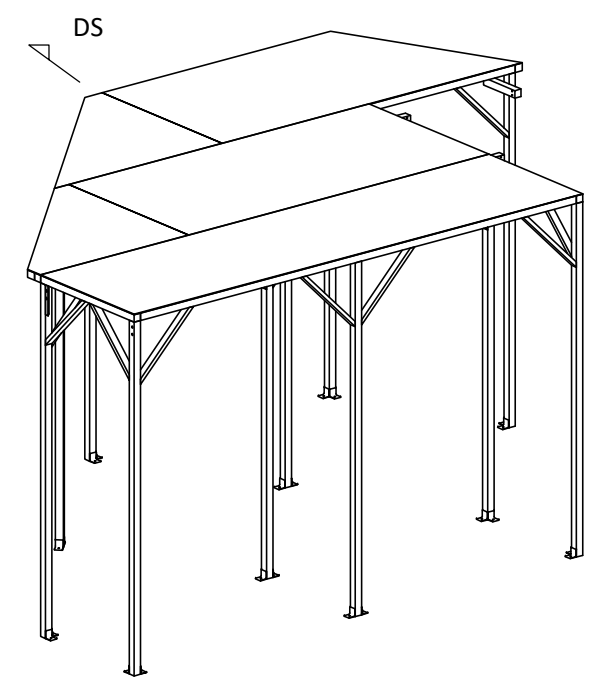
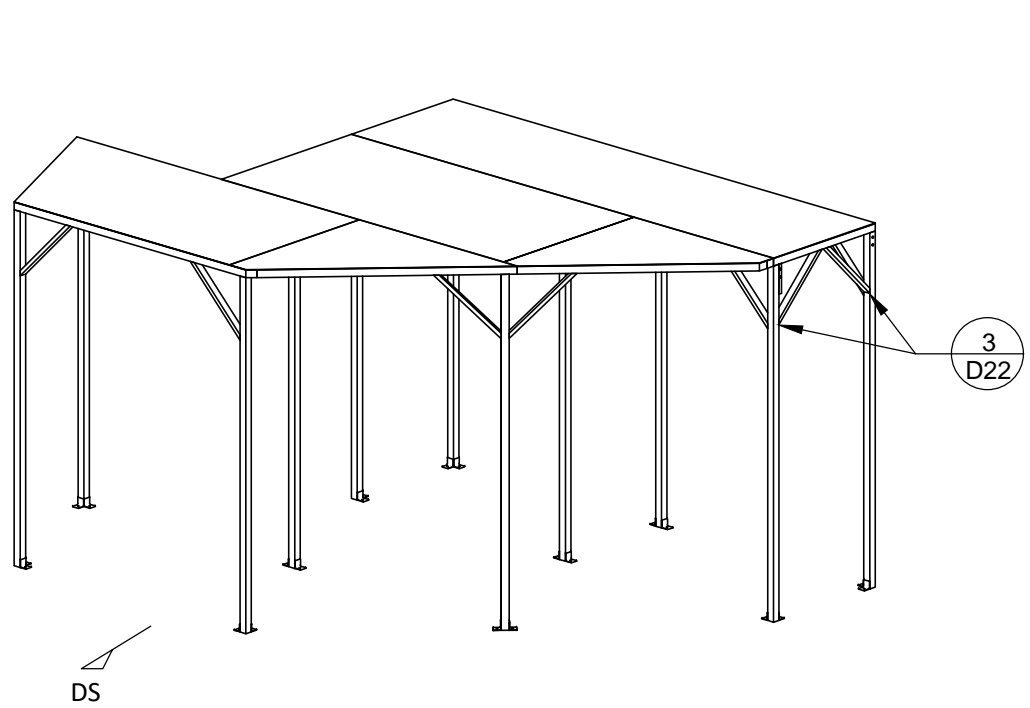
DWG #:  
**D23**



2 Leg Placement-  
D23

Weld on indicated legs as shown. Ensure feet point the correct direction. Weld all around. **Legs all must be Square/Plump.**

Scale: 1/2"=1'-0"



2 Bracing Placement-  
D23

Weld on bracing as shown. The 4 Odd bracing is noted. Weld Fillets ONLY. **Legs all must be Square/Plump.**

Scale: 1/2"=1'-0"

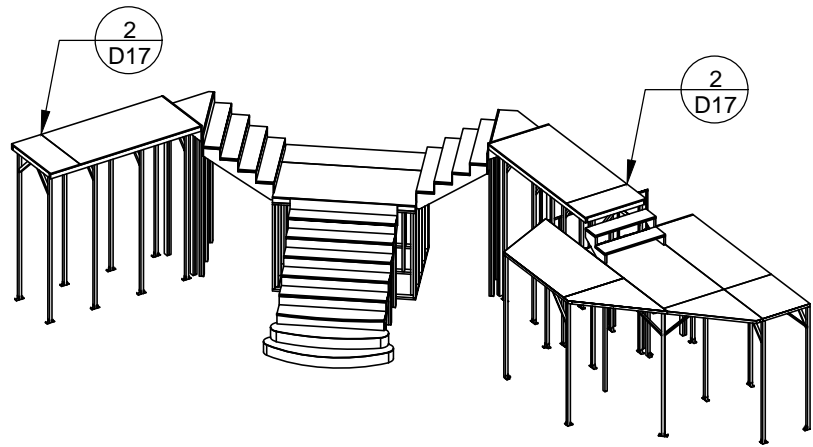


# Dracula

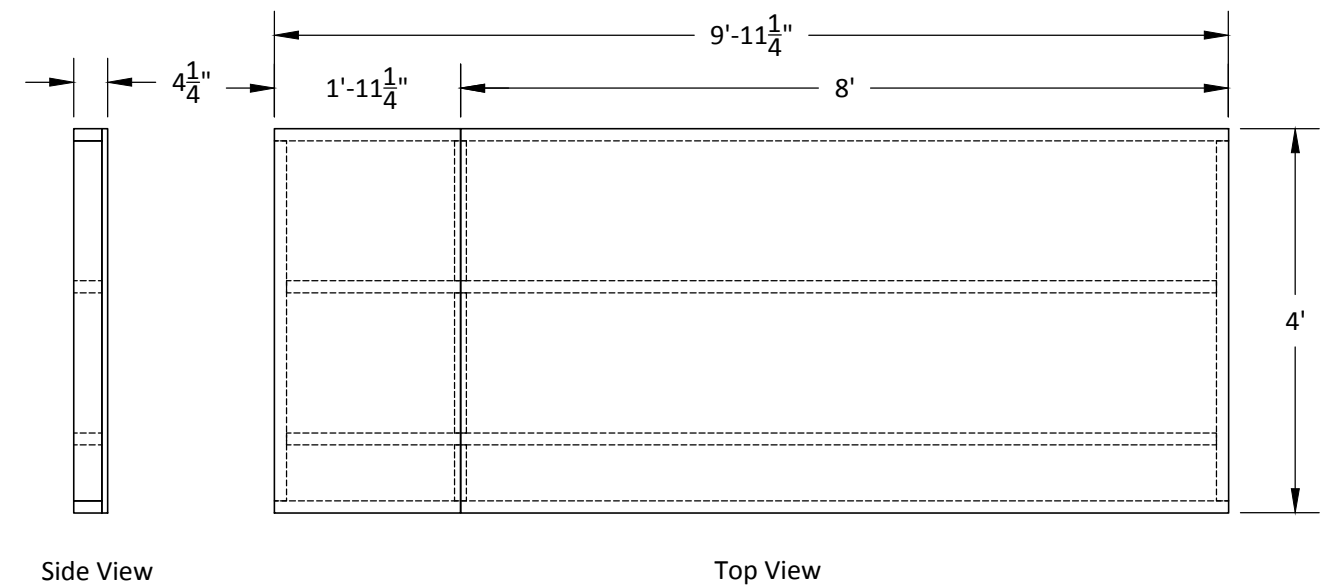
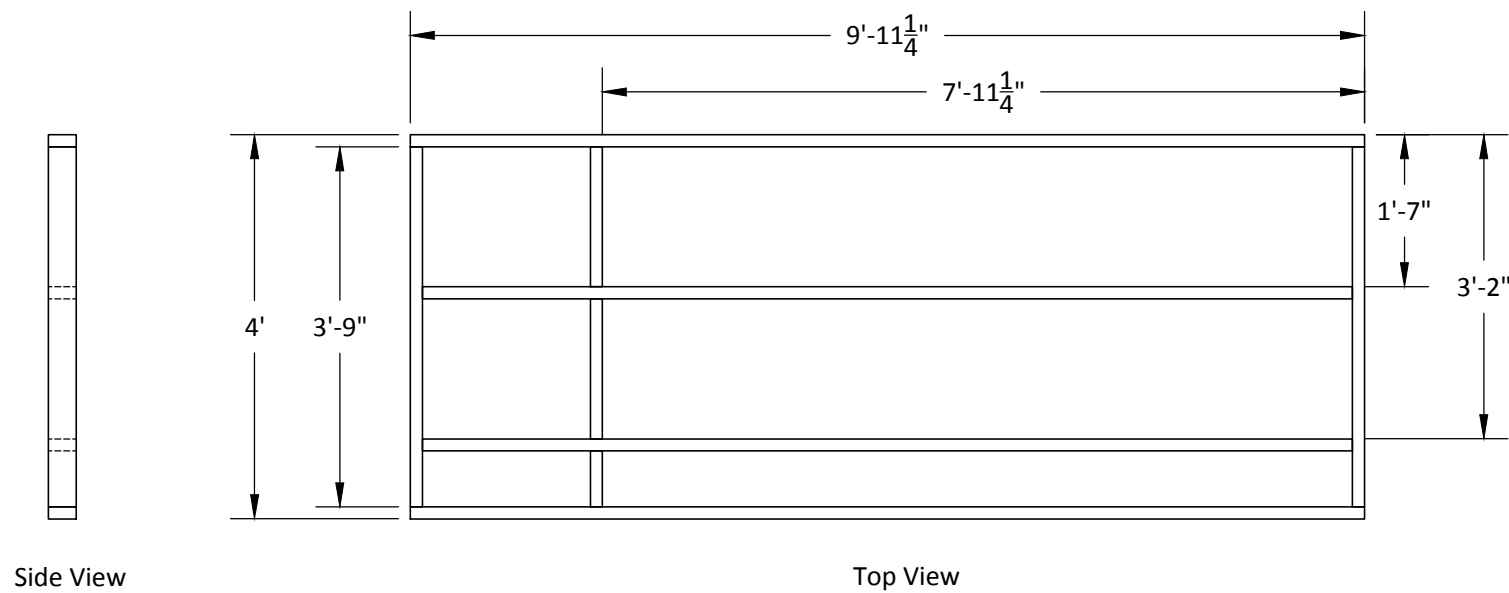
## Torture Legs/Bracing Install

Director: B.Glenn	Designer: S.Culpepper
Tech Director: Aaron Mayer	Drafted By: A.Mayer
DWG Date: 9/28/2017	REV Date:
Scale: As Noted	

DWG #:  
**D24**



1  
D25  
Torture Platform Iso



2  
D25  
Frame- Scale:  $\frac{3}{4}$ "=1'-0"  
Build 2 from 2x4x10.  
Glue and Screw.

3  
D25  
Deck- Scale:  $\frac{3}{4}$ "=1'-0"  
Build 1 as drawn, R&R 1  
Using  $\frac{3}{4}$ " BC Plywood.  
Glue and Screw.



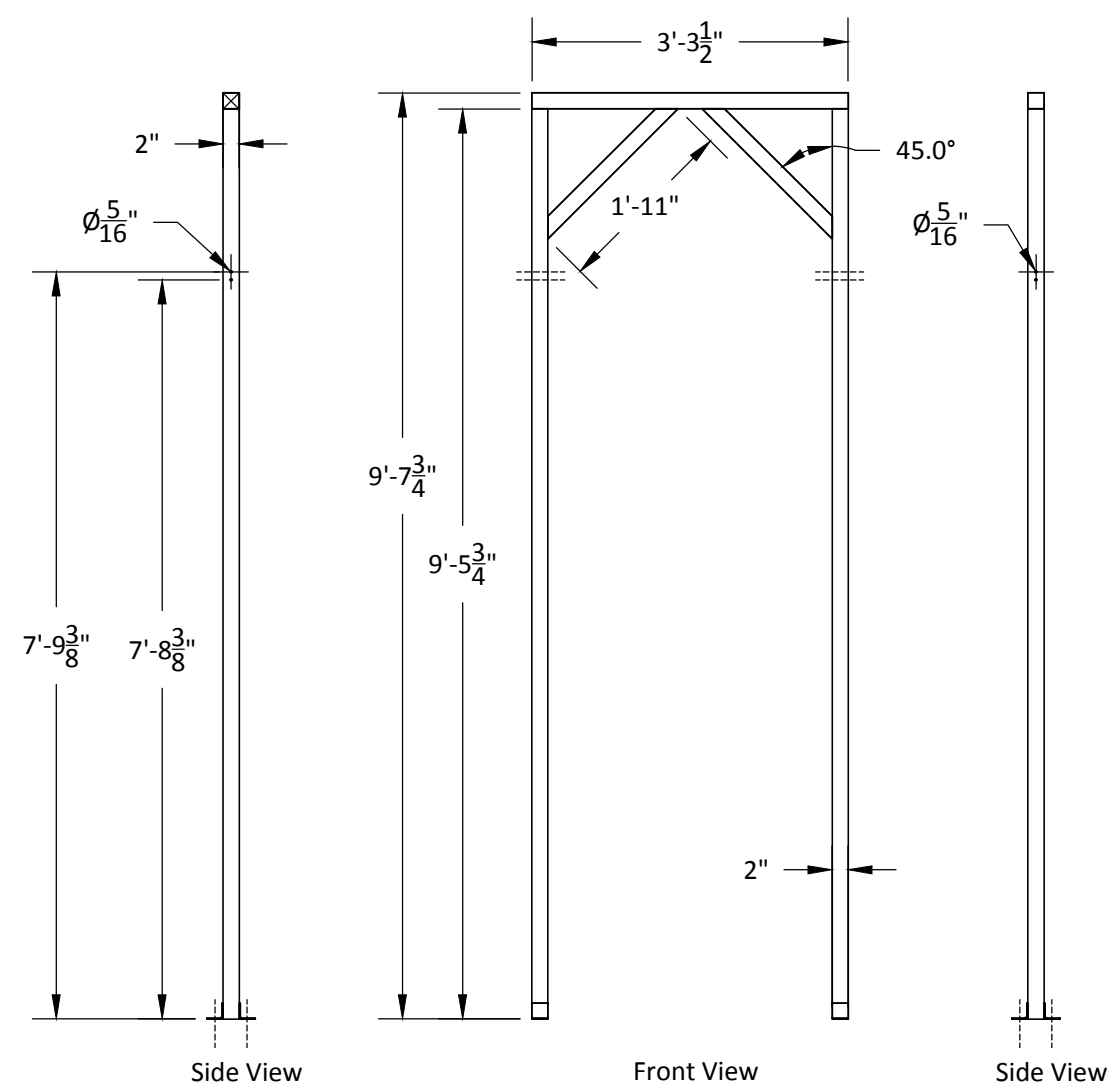
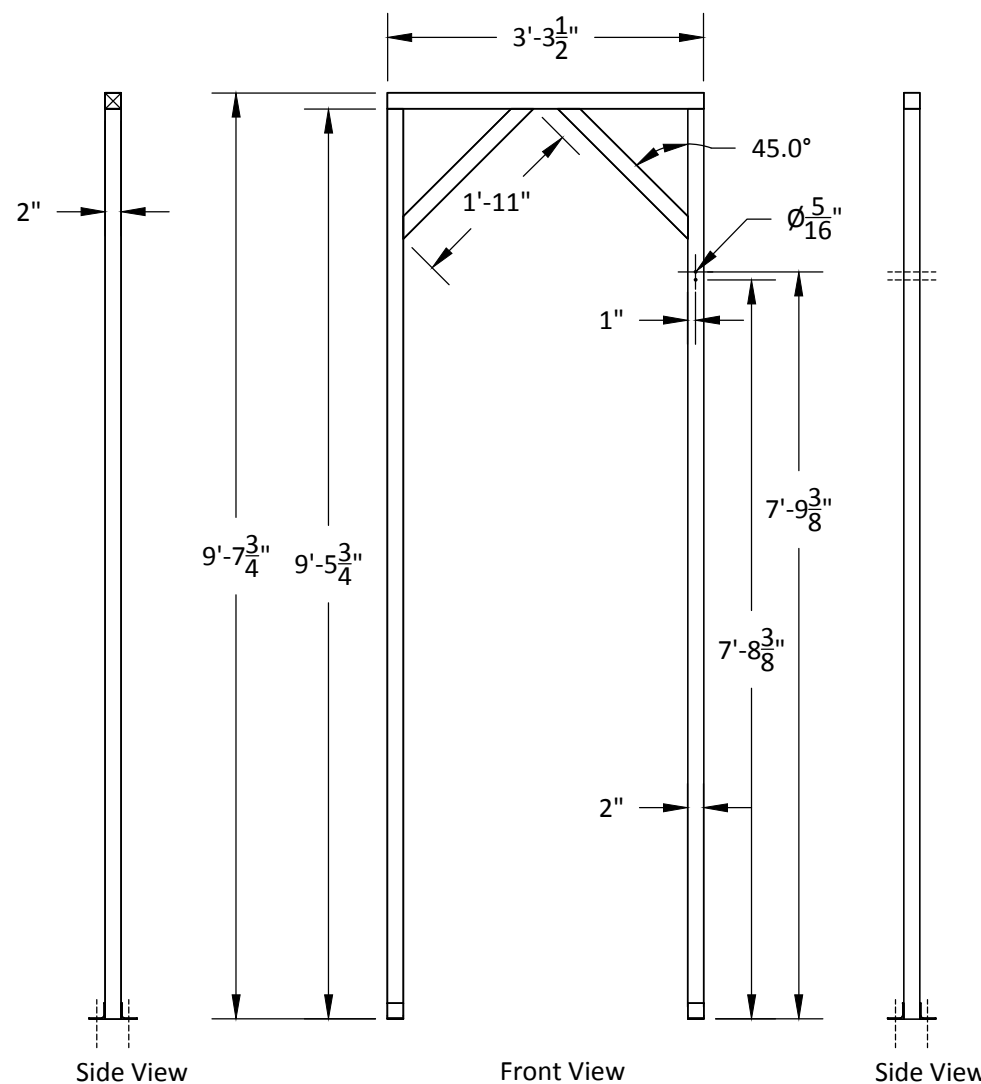
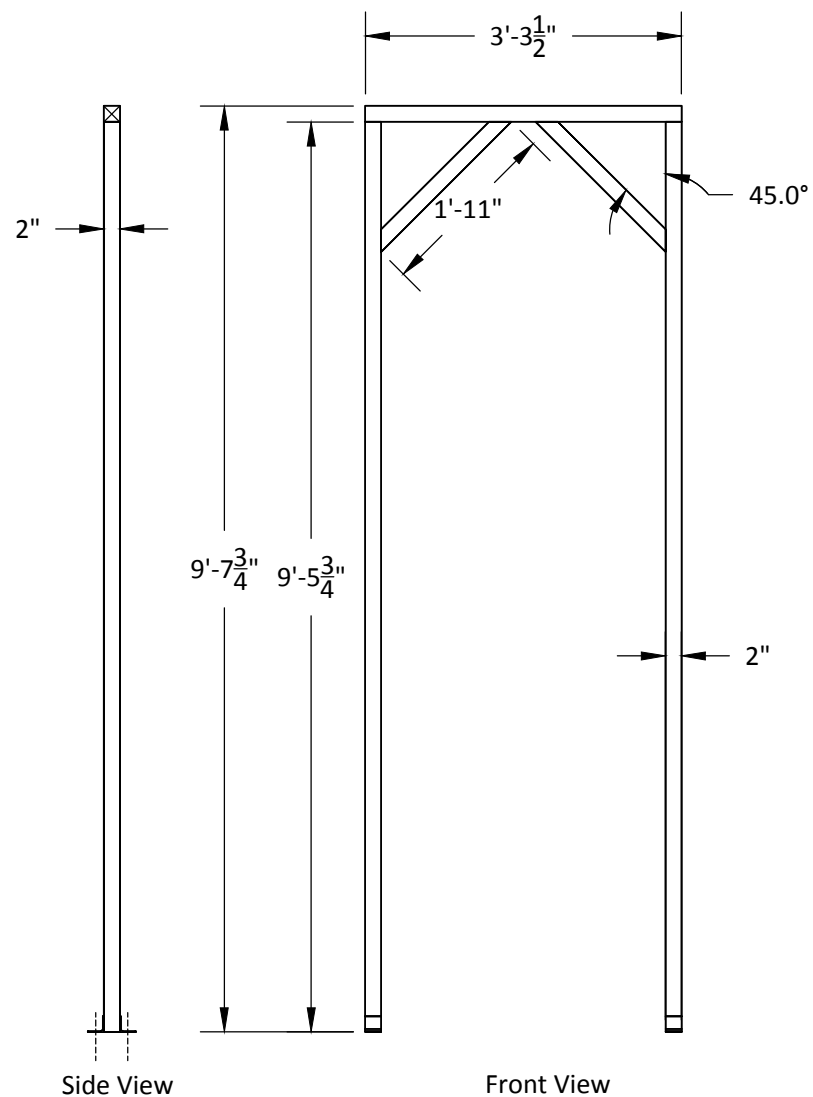
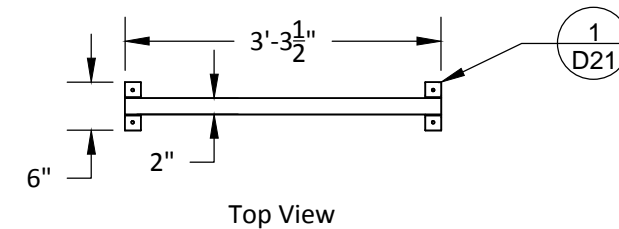
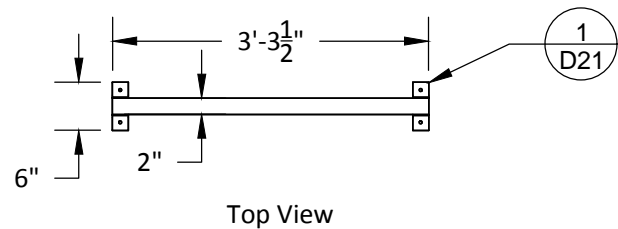
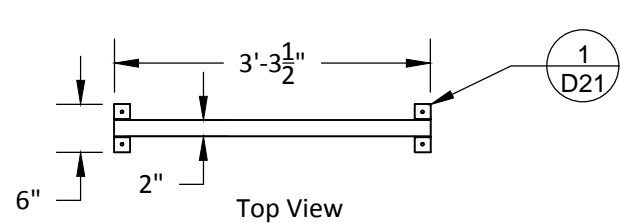
# Dracula

## Level 2 Platforms

Director: B.Glenn	Designer: S.Culpepper
Tech Director: Aaron Mayer	Drafted By: A.Mayer
DWG Date: 9/27/2017	REV Date: Scale: As Noted

DWG #:  
**D25**





1  
D26

Style 1- Scale:  $\frac{1}{2}''=1'-0''$   
Build 6 from 2x2 box.  
Weld fillets and perimeter faces.  
Weld on feet.

2  
D26

Style 2- Scale:  $\frac{1}{2}''=1'-0''$   
Build 1 from 2x2 box.  
Drill holes.Weld fillets and perimeter faces.  
Weld on feet.

3  
D26

Style 1- Scale:  $\frac{1}{2}''=1'-0''$   
Build 1 from 2x2 box.  
Drill holes.Weld fillets and perimeter faces.  
Weld on feet.

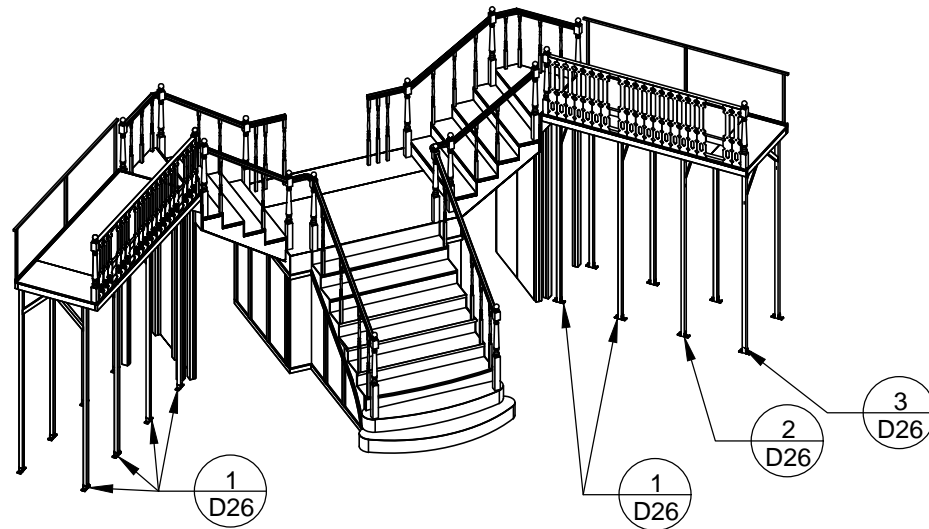


# Dracula

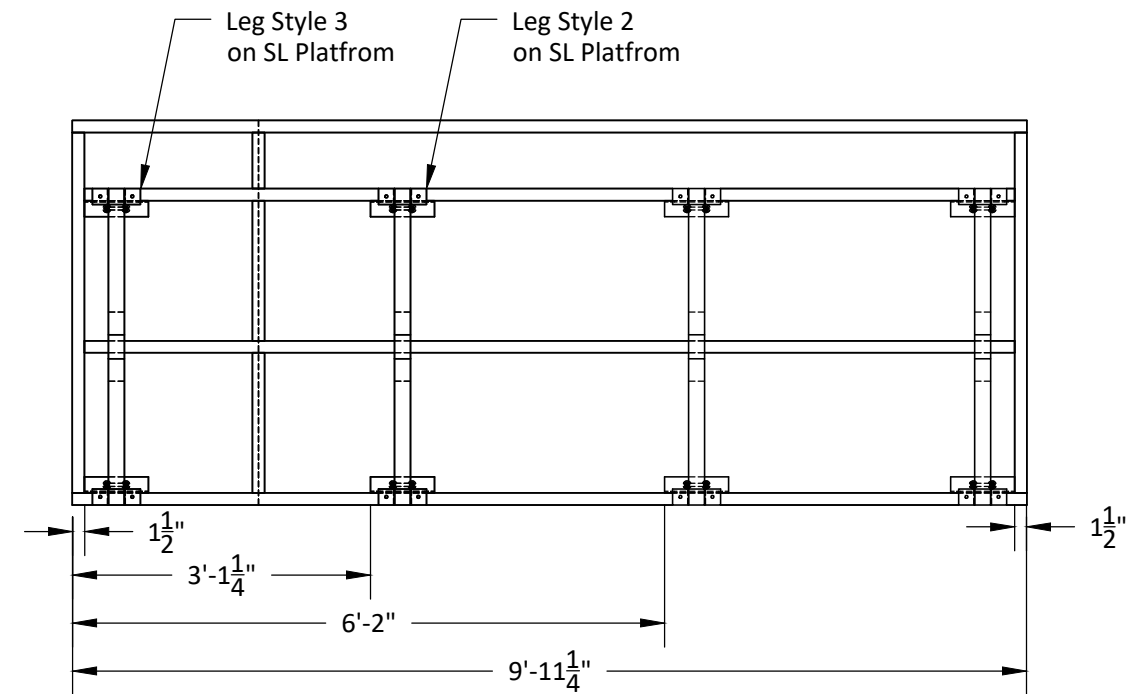
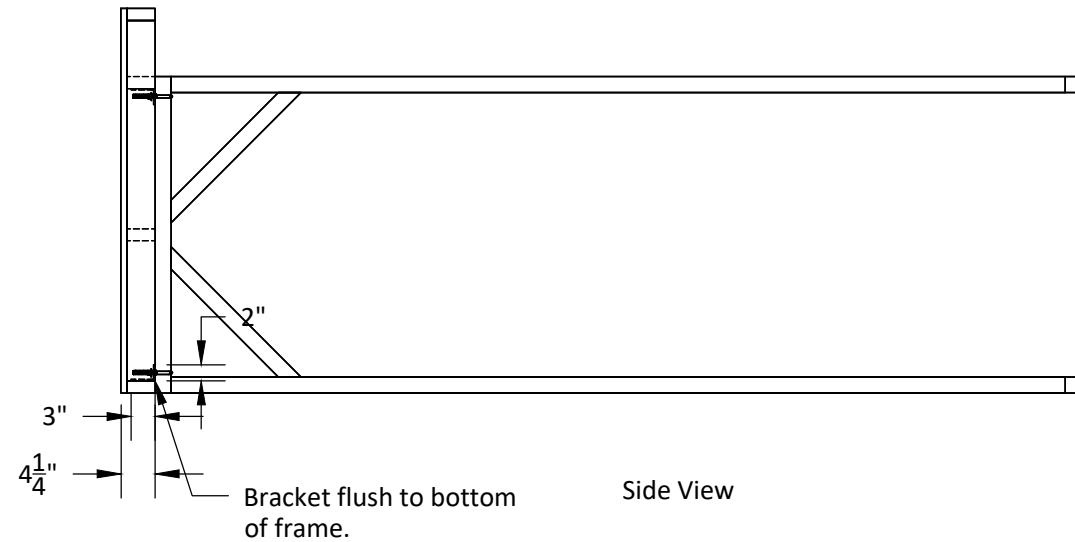
## Level 2 Legs

Director: B.Glenn	Designer: S.Culpepper
Tech Director: Aaron Mayer	Drafted By: A.Mayer
DWG Date: 9/27/2017	REV Date: Scale: As Noted

DWG #:  
**D26**



1 Main Set Iso  
D27



BOTTOM View

2 Leg bracket install and leg layout- Scale:  $\frac{1}{2}'' = 1'-0''$   
 D27 Attach 2x3 angle iron legs brackets as shown.  
 Use  $\frac{3}{4}''$  stove bolts on back and hex head on front;  
 all with nylocs.



# Dracula

## Level 2 Leg Install

Director: B.Glenn

Designer: S.Culpepper

Tech Director: Aaron Mayer

Drafted By: A.Mayer

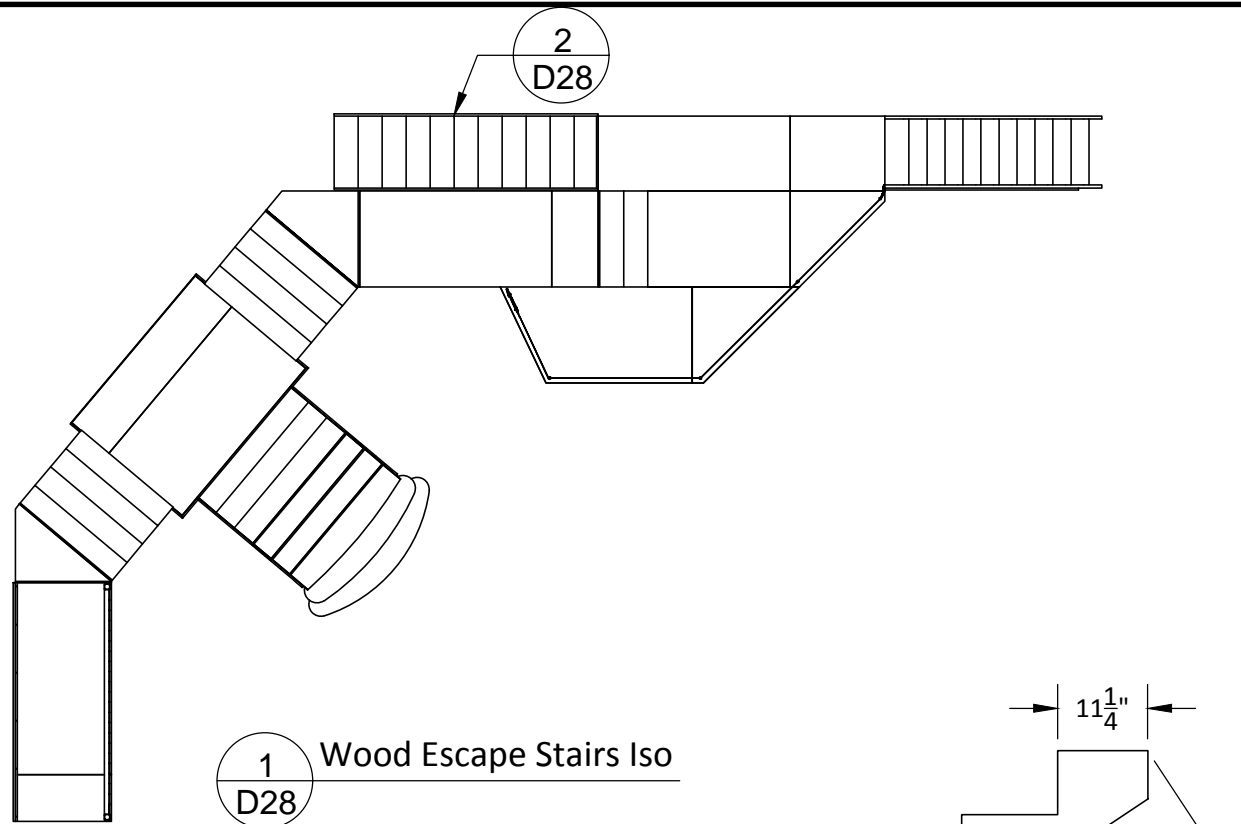
DWG Date: 9/30/2017

REV Date:

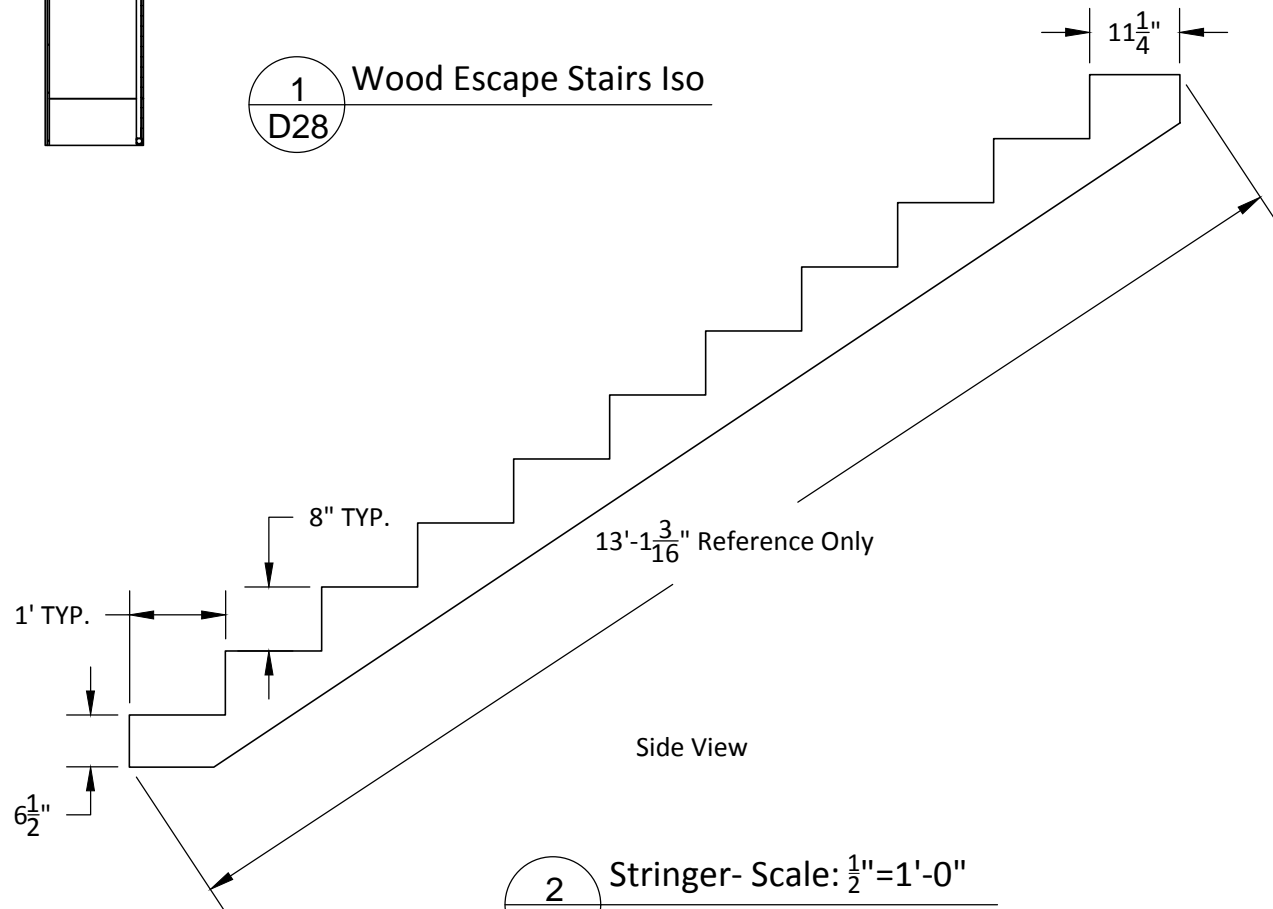
Scale: As Noted

DWG #:

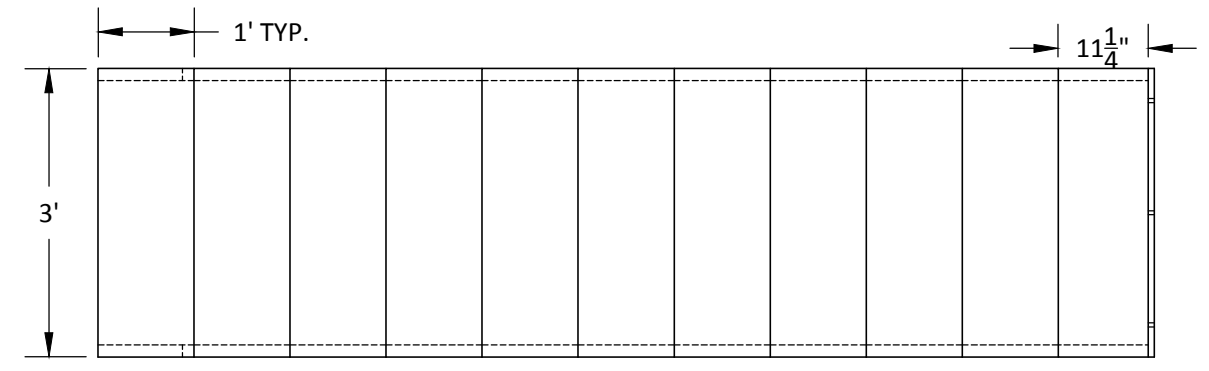
D27



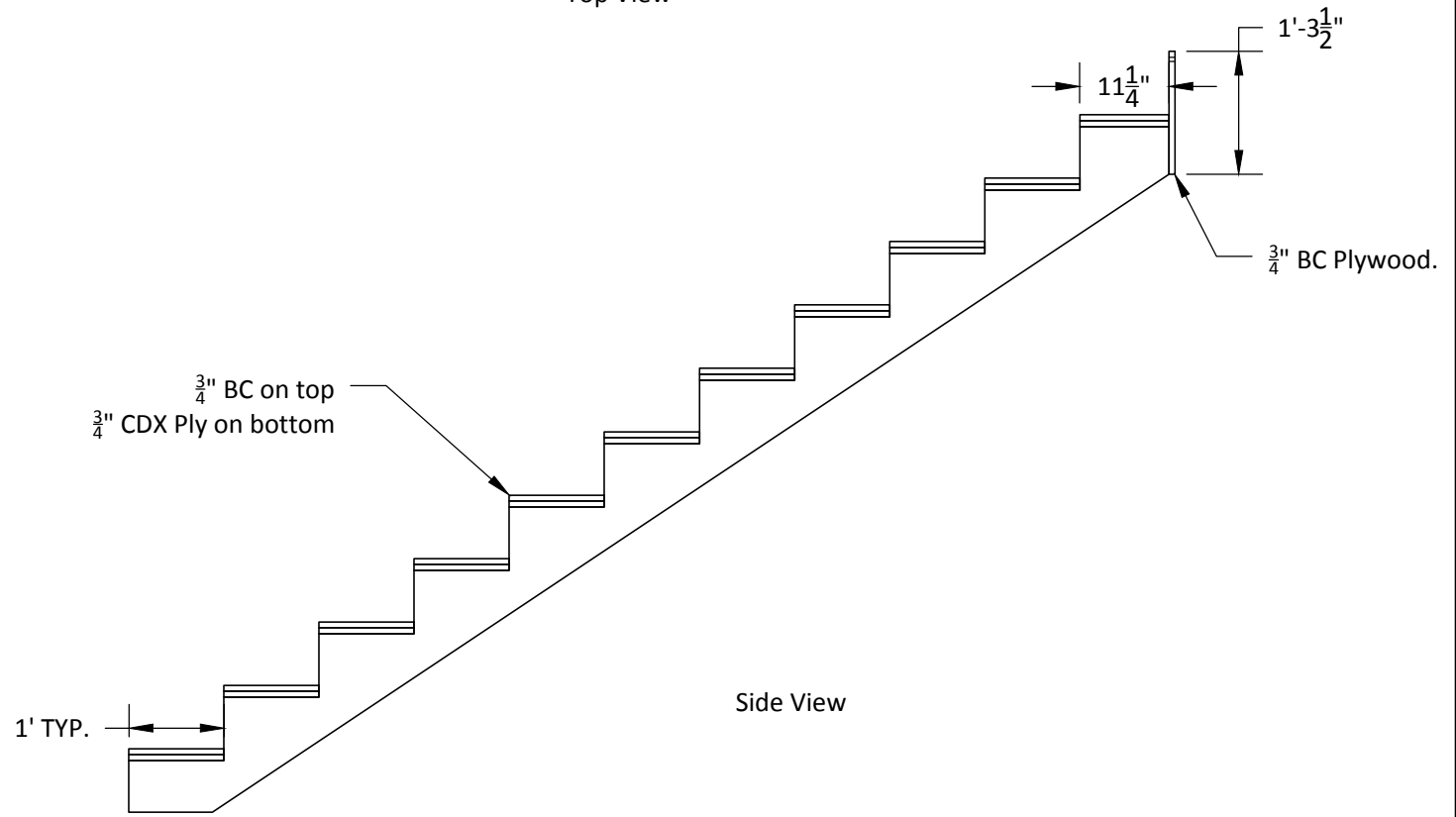
1 Wood Escape Stairs Iso  
D28



2 Stringer- Scale:  $\frac{1}{2}''=1'-0''$   
D28 Build 2 from 2x12x16.



Top View



Side View

3 Assembly- Scale:  $\frac{1}{2}''=1'-0''$   
D28 Assemble 1 from components.  
Treads are  $\frac{3}{4}''$  CDX on bottom and BC on top.  
Glue and screw CDX, Glue and Finish nail BC.

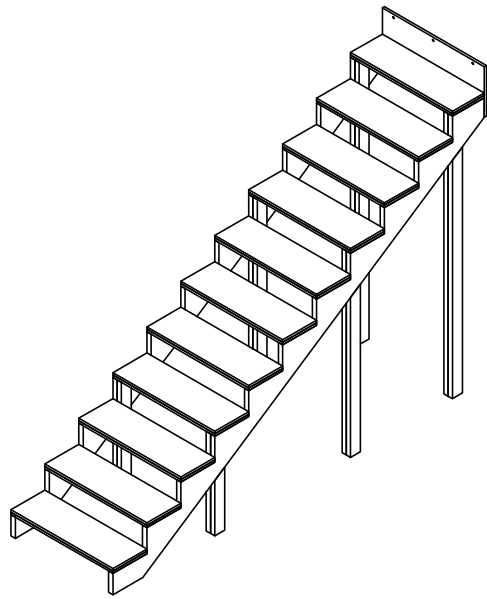


# Dracula

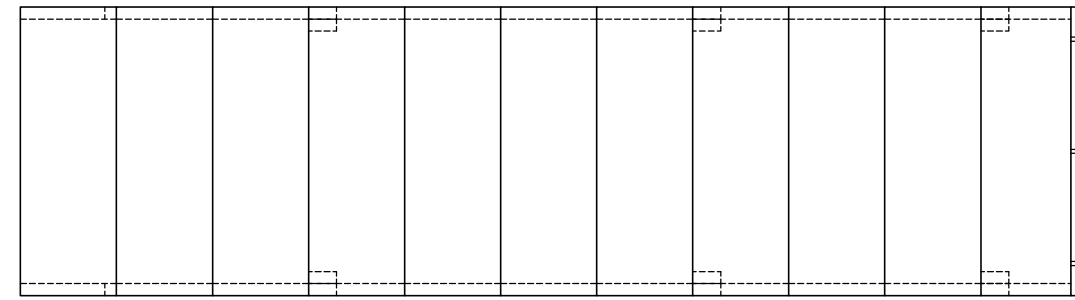
## Wood Escape Stairs

Director: B.Glenn	Designer: S.Culpepper
Tech Director: Aaron Mayer	Drafted By: A.Mayer
DWG Date: 9/28/2017	REV Date: Scale: As Noted

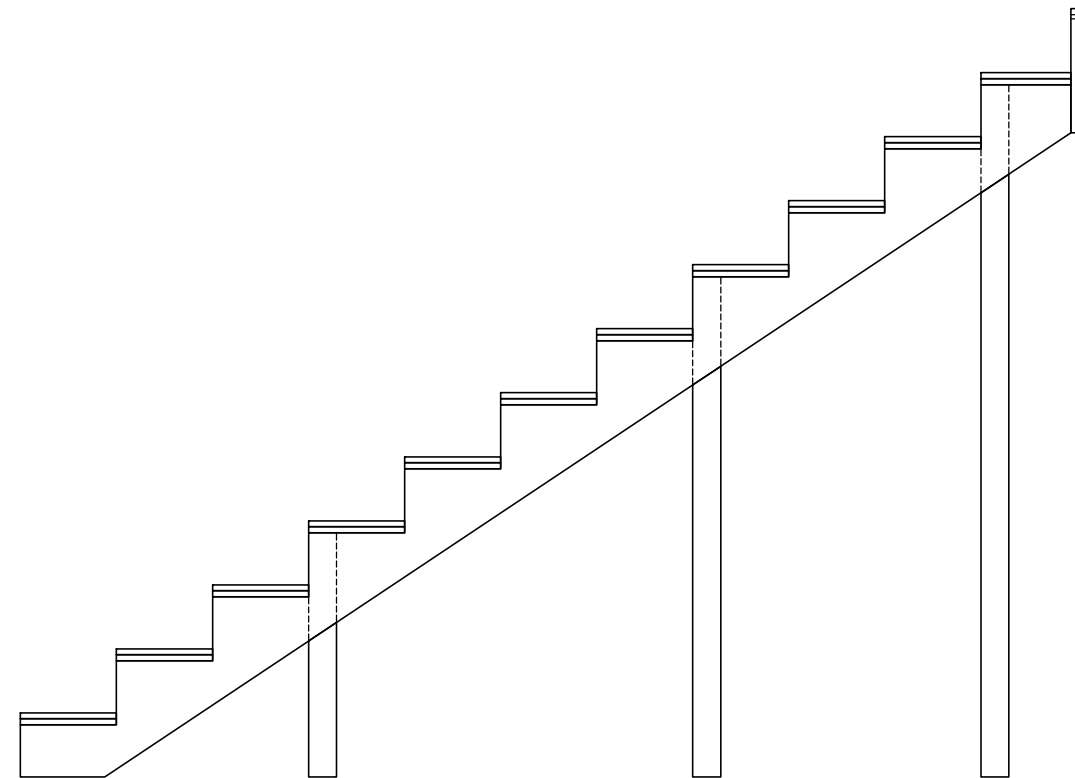
DWG #:  
**D28**



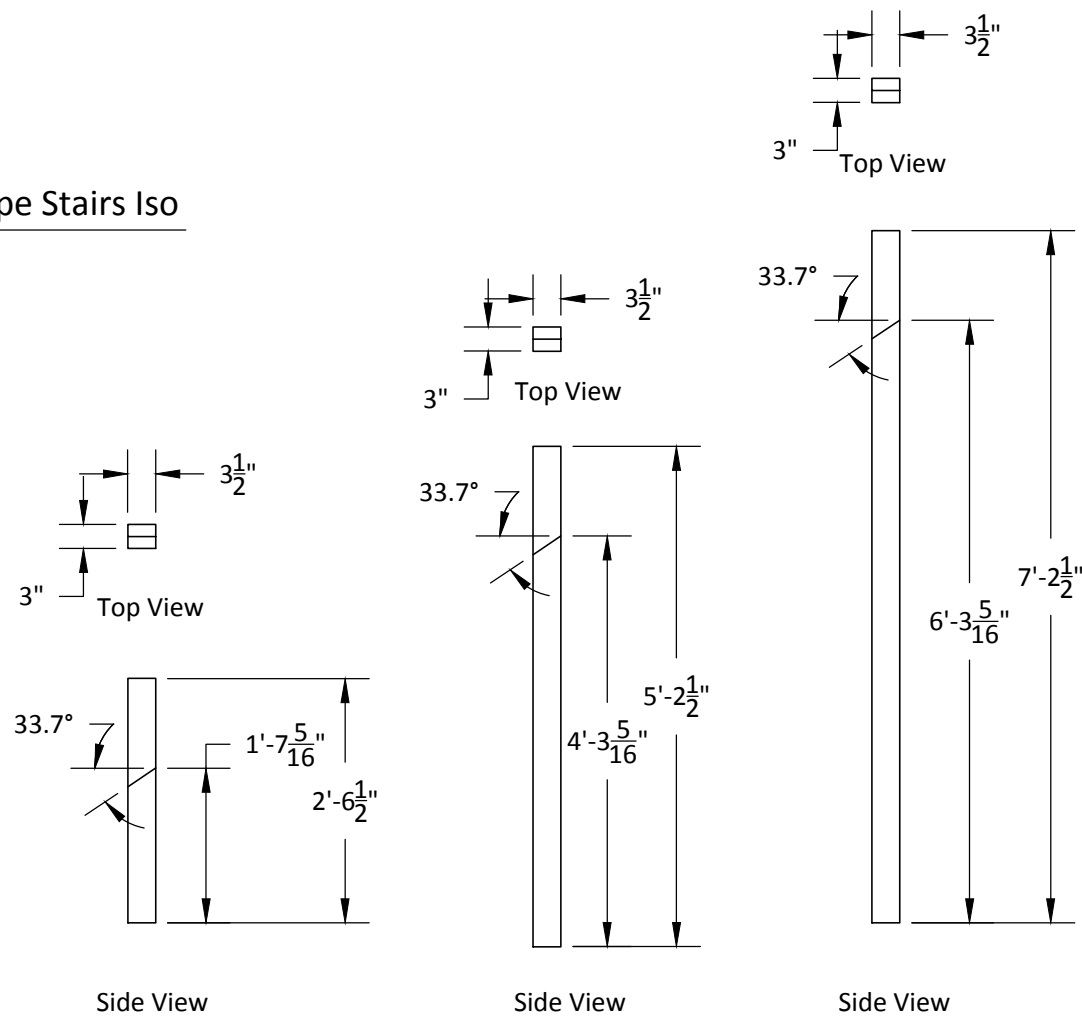
1 Wood Escape Stairs Iso  
D28



Top View



Side View



2 Legs- Scale: 1/2"=1'-0"  
D28 Build 1; R&R 1 of each from 2x4.  
Glue and Screw.

3 Leg Assembly- Scale: 1/2"=1'-0"  
D28 Attach legs as shown with Screws.



Dracula

Wood Escape Stairs Legs

Director: B.Glenn

Designer: S.Culpepper

Tech Director: Aaron Mayer

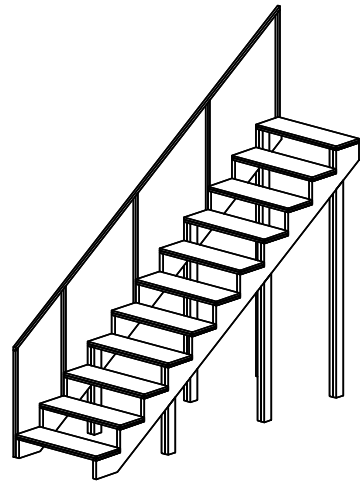
Drafted By: A.Mayer

DWG Date: 9/28/2017

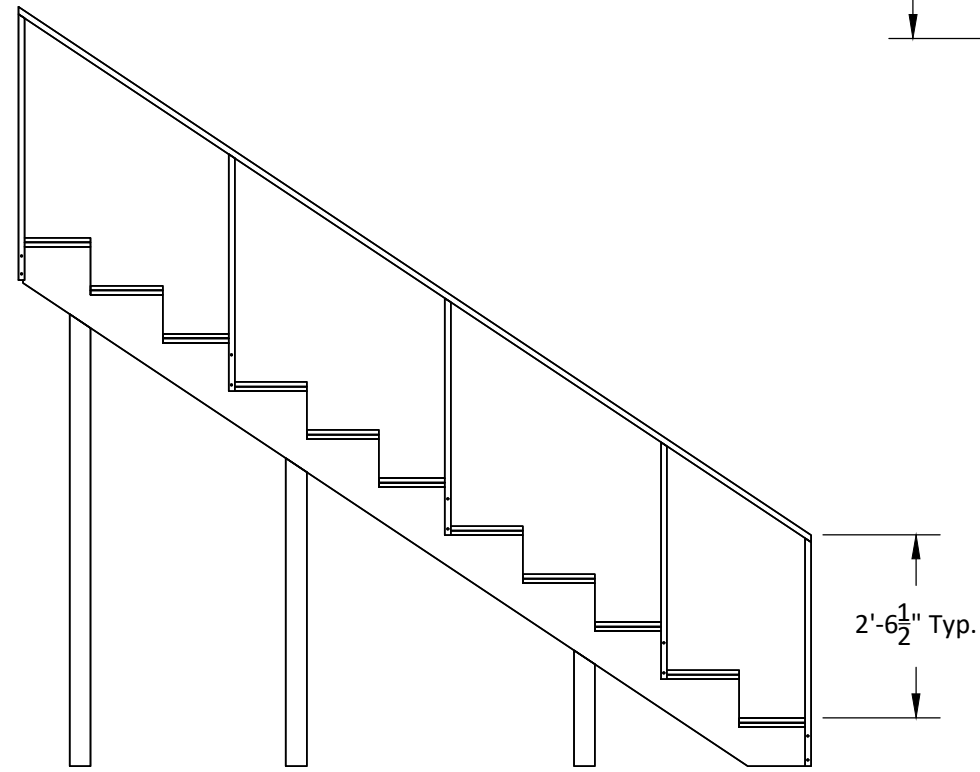
REV Date:

Scale: As Noted

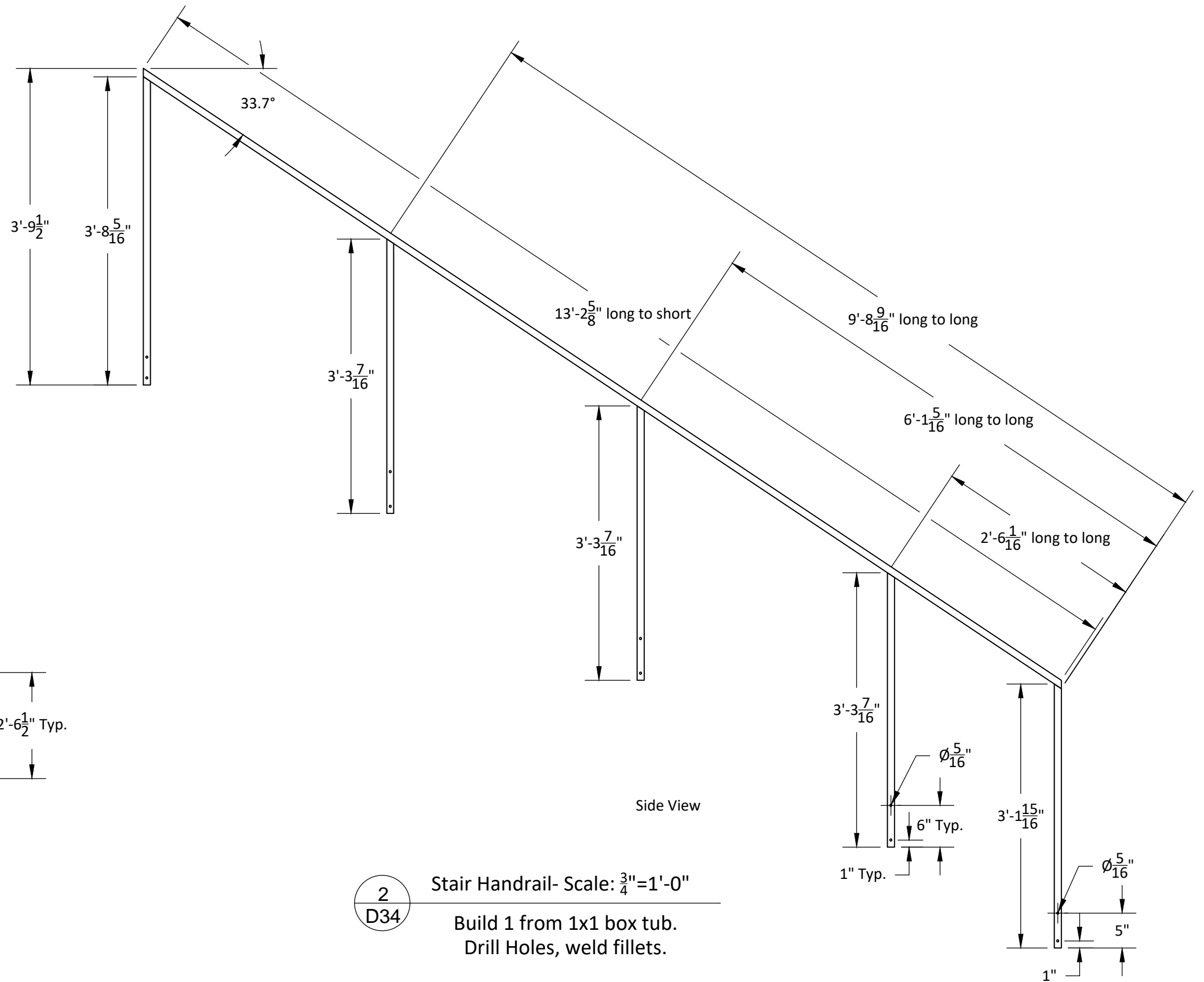
DWG #:  
D29



1 Wood Escape Stairs Iso  
D34



2 Stair Install- Scale:  $\frac{3}{8}''=1'-0''$   
D34 Lag Screw handrail to Upstage side of stairs.



2 Stair Handrail- Scale:  $\frac{3}{4}''=1'-0''$   
D34 Build 1 from 1x1 box tub. Drill Holes, weld fillets.



# Dracula

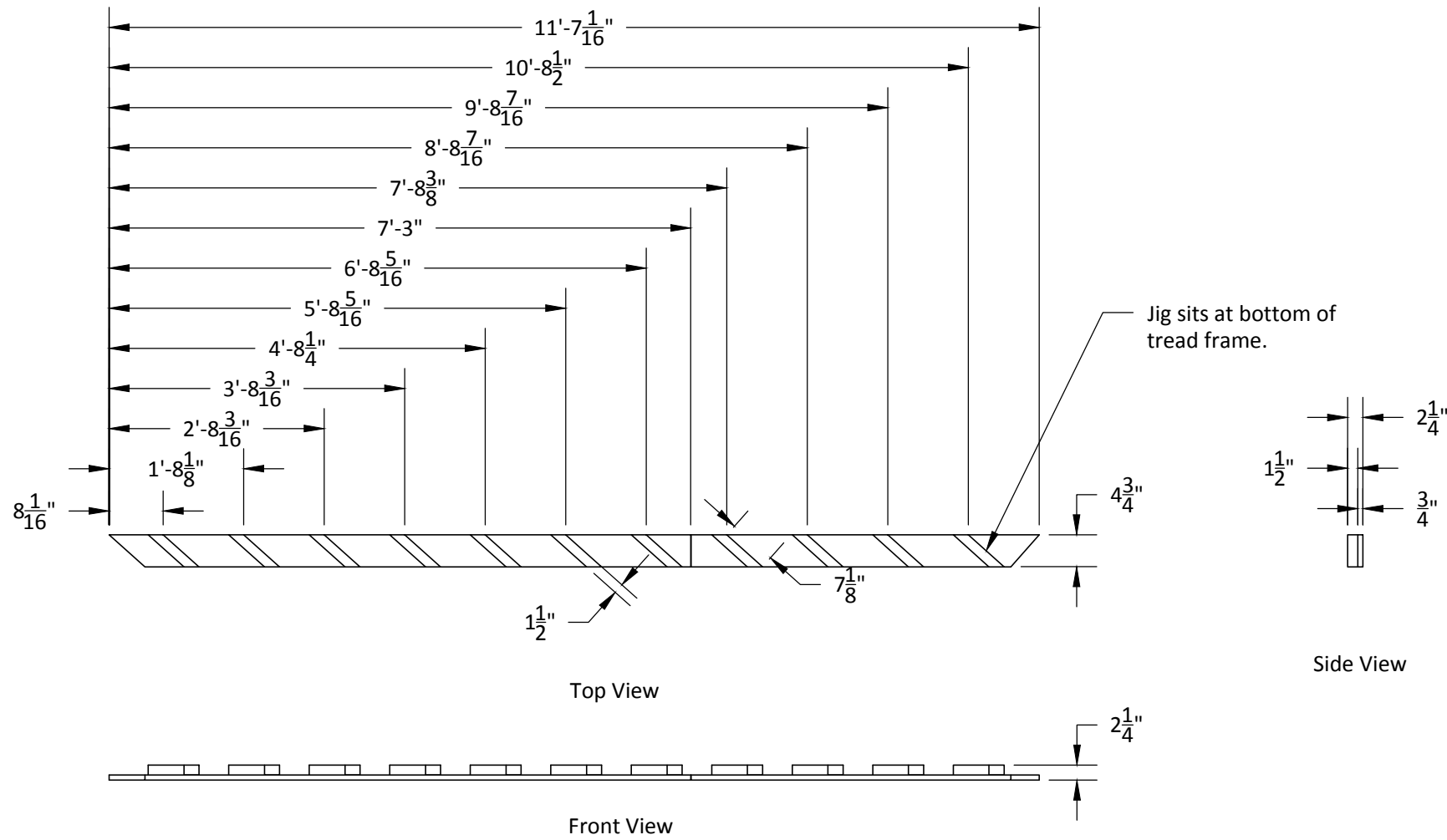
## Wood Escape Stairs Railing

Director: B.Glenn	Designer: S.Culpepper
Tech Director: Aaron Mayer	Drafted By: A.Mayer
DWG Date: 10/10/2017	REV Date: Scale: As Noted

DWG #:  
**D30**



1 Steel Escape Stairs Iso  
D31



2 Welding Jig- Scale: 1/2"=1'-0"  
D31 Build 1; R&R 1 from 3/4" ply.  
Jig indexes bottom of tread frame.



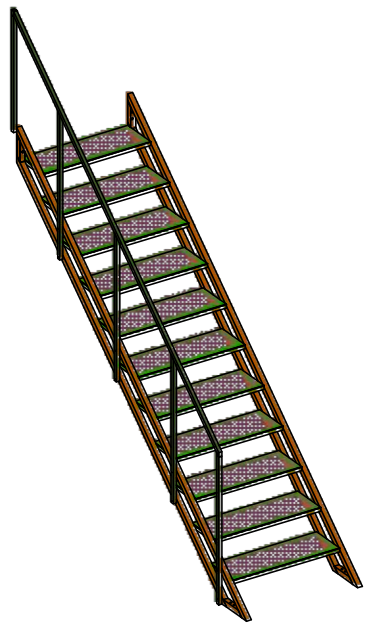
Dracula

Steel Escape Stairs Welding Jig

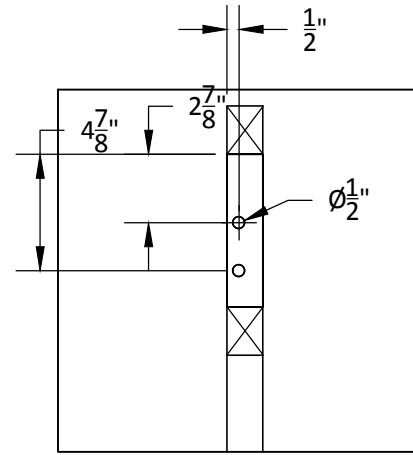
Director: B.Glenn	Designer: S.Culpepper
Tech Director: Aaron Mayer	Drafted By: A.Mayer
DWG Date: 9/28/2017	REV Date: Scale: As Noted

DWG #:  
**D31**

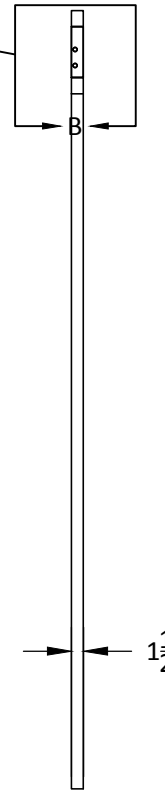




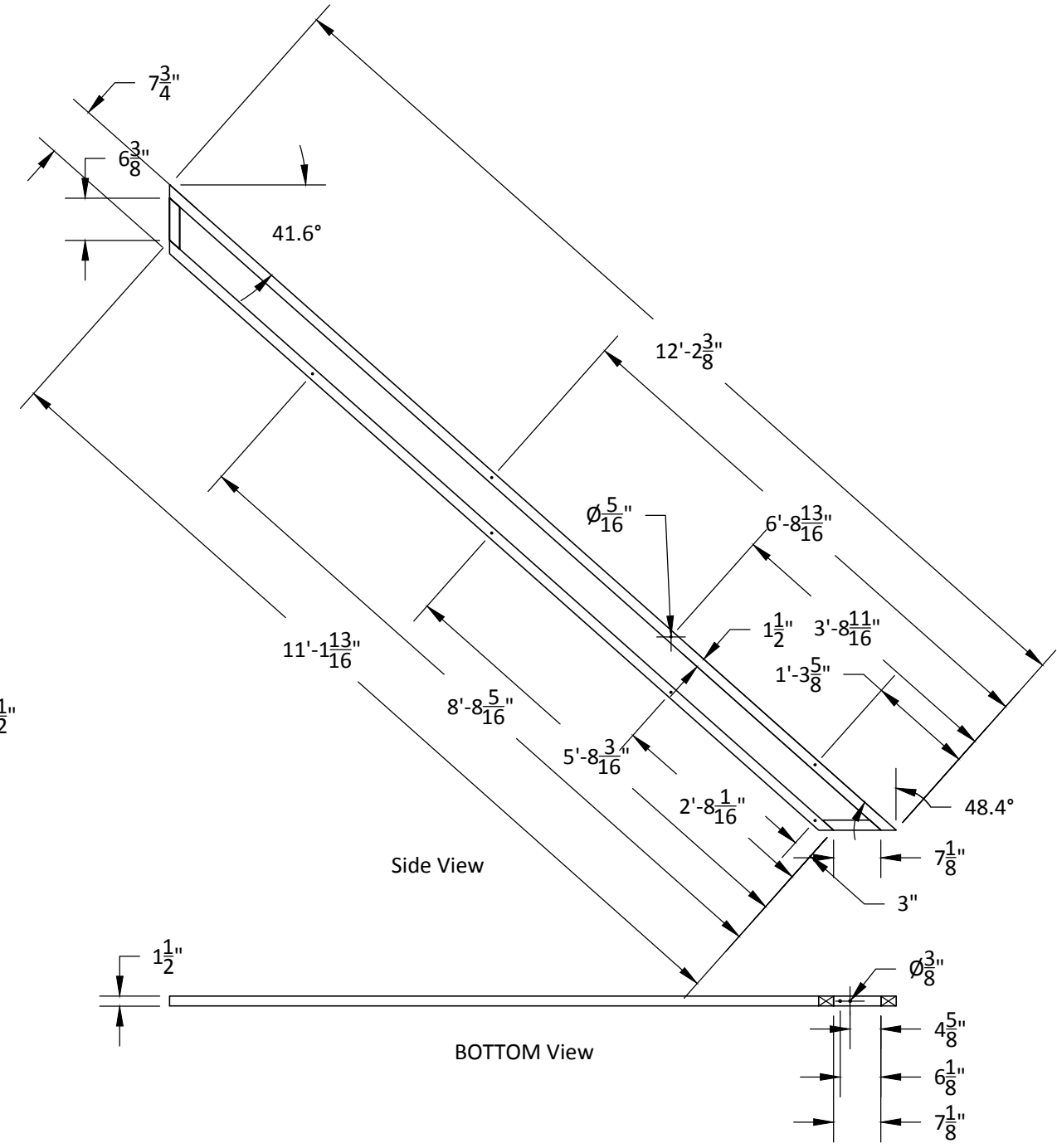
1 Steel Escape Stairs Iso  
D32



DETAIL B  
SCALE 1-1/2" = 1'-0"

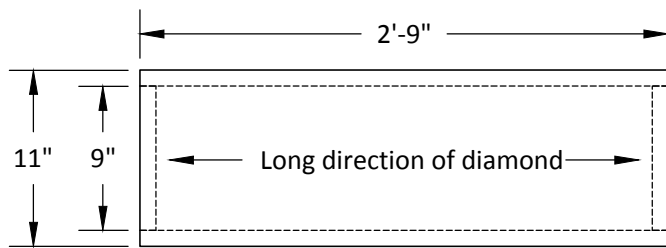


BACK View

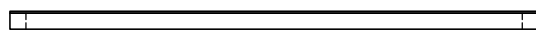


Side View

BOTTOM View



Top View



Side View

2 Treads- Scale: 1"=1'-0"  
D32 Build 11 from 1x1 box tube and steel mesh.  
Weld frame on all side.  
Cut mesh to fit. Weld to frame.

3 Stringers- Scale: 1/2"=1'-0"  
D32 Build 2 from 1.5x1.5 box tube.  
Drill holes.  
Weld all around.



# Dracula

## Steel Escape Stairs Treads/Stringers

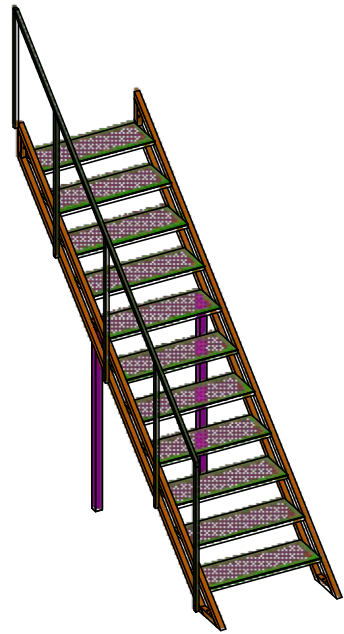
Director: B.Glenn Designer: S.Culpepper

Tech Director: Aaron Mayer Drafted By: A.Mayer

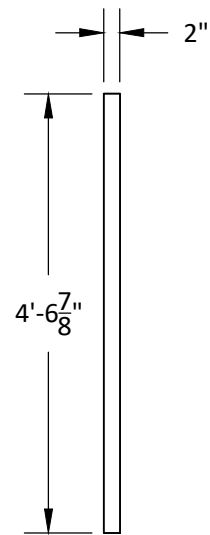
DWG Date: 9/28/2017 REV Date: Scale: As Noted

DWG #:  
**D32**

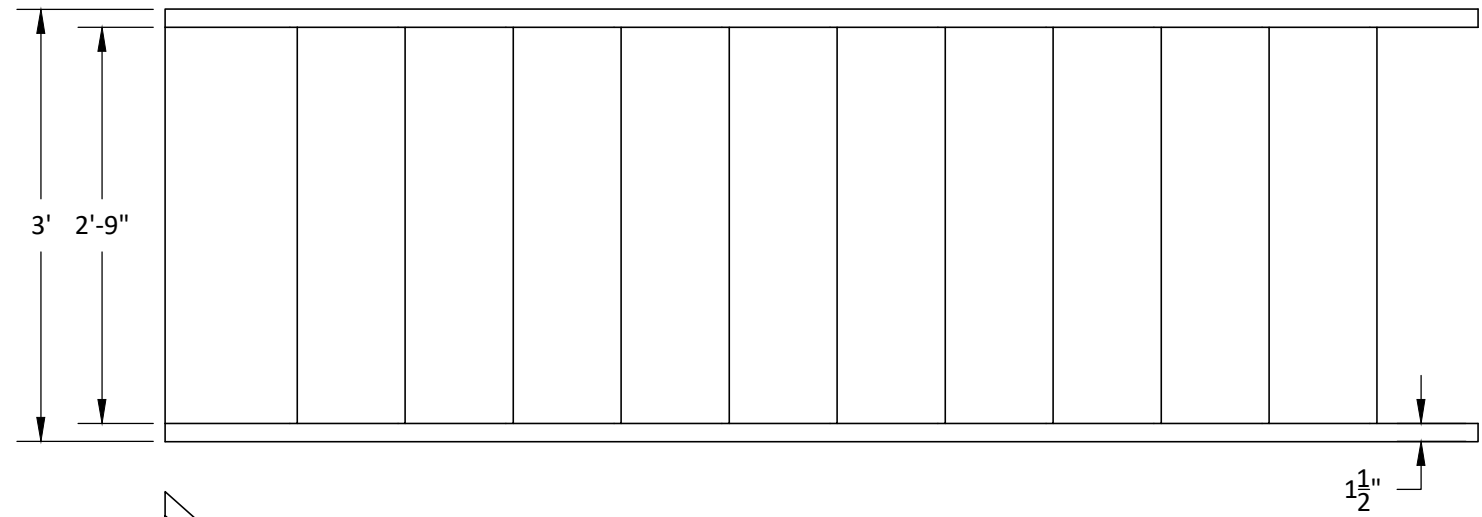




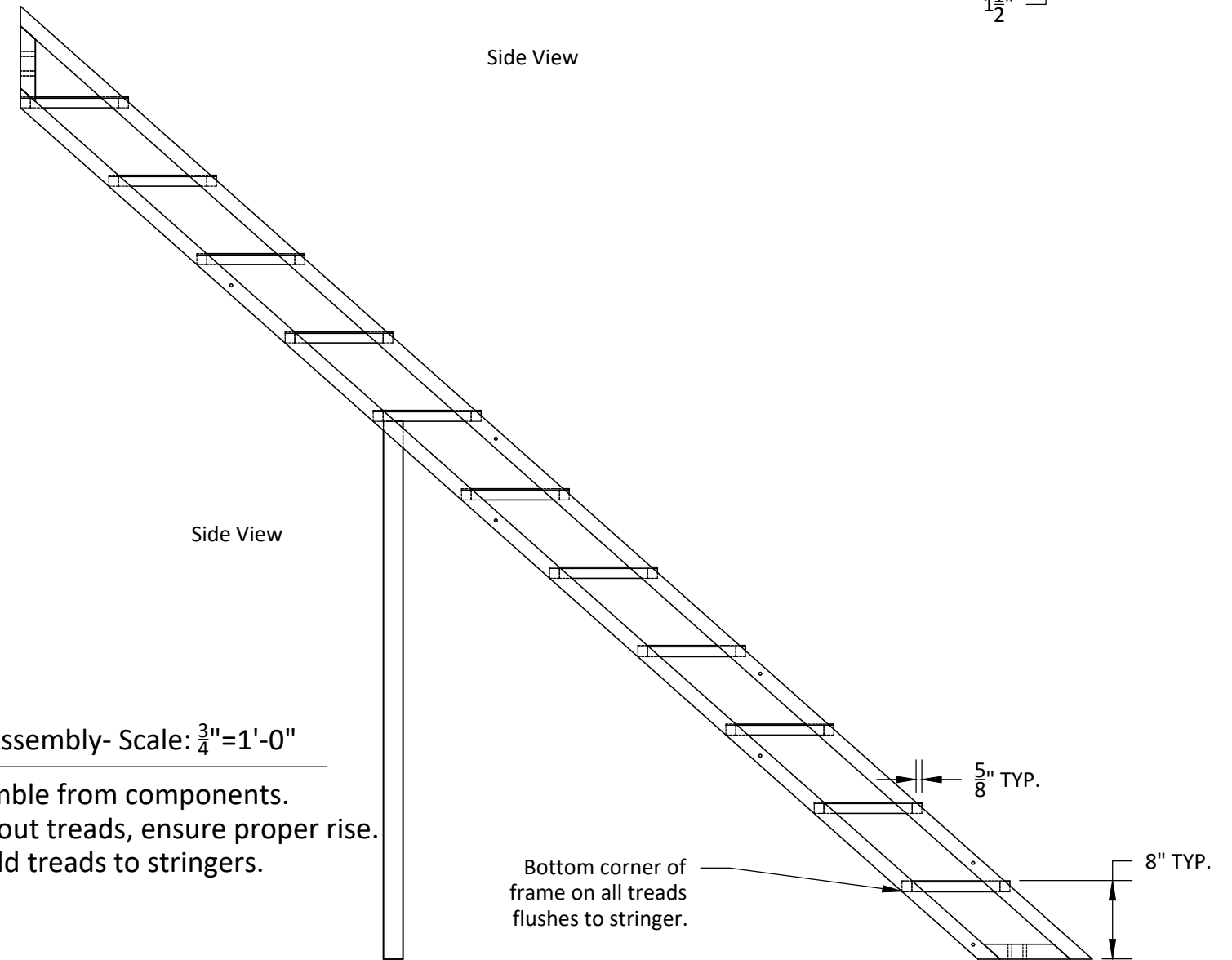
1 Steel Escape Stairs Iso  
D33



2 Stair Legs- Scale:  $\frac{1}{2}''=1'-0''$   
D33  
Cut 2 from 2x2 box tub.  
Weld on at load in.



Side View



Side View

3 Stair Assembly- Scale:  $\frac{3}{4}''=1'-0''$   
D33  
Assemble from components.  
Use jig to layout treads, ensure proper rise.  
Weld treads to stringers.



# Dracula

## Steel Escape Stairs Assembly

Director: B.Glenn

Designer: S.Culpepper

Tech Director: Aaron Mayer

Drafted By: A.Mayer

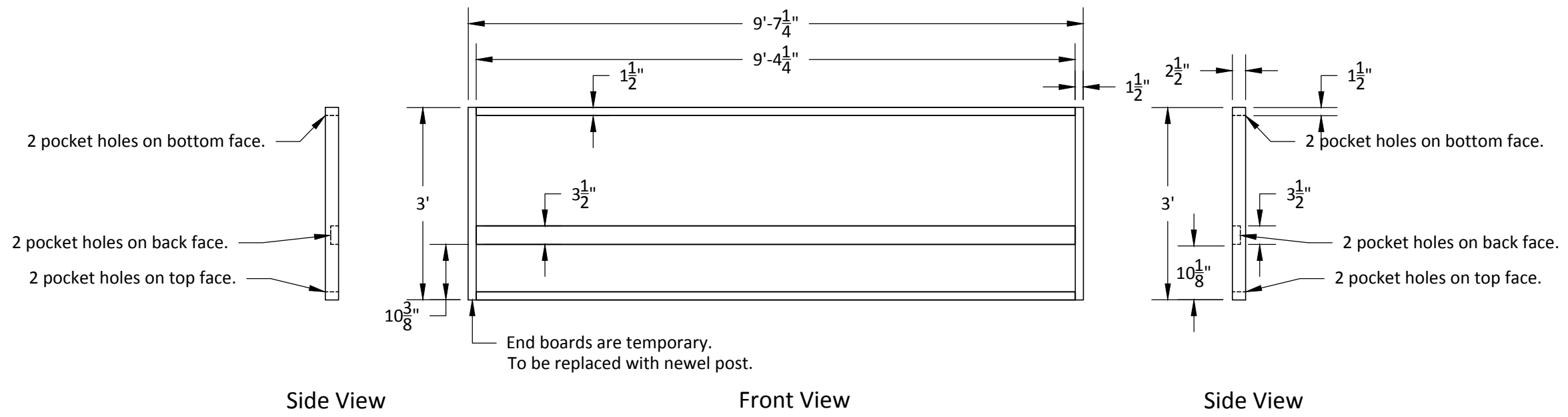
DWG Date: 9/30/2017

REV Date:

Scale: As Noted

DWG #:  
**D33**



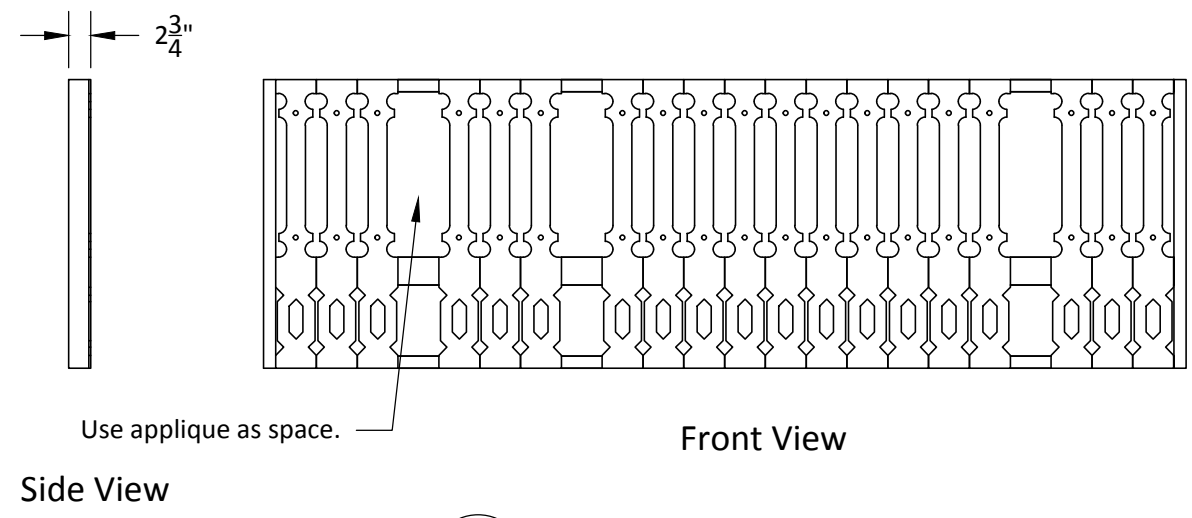


1  
D35

Frame- Scale:  $\frac{1}{2}$ "=1'-0"

Build 2 from 2x4.

Drill HD pocket holes as indicated



2  
D35

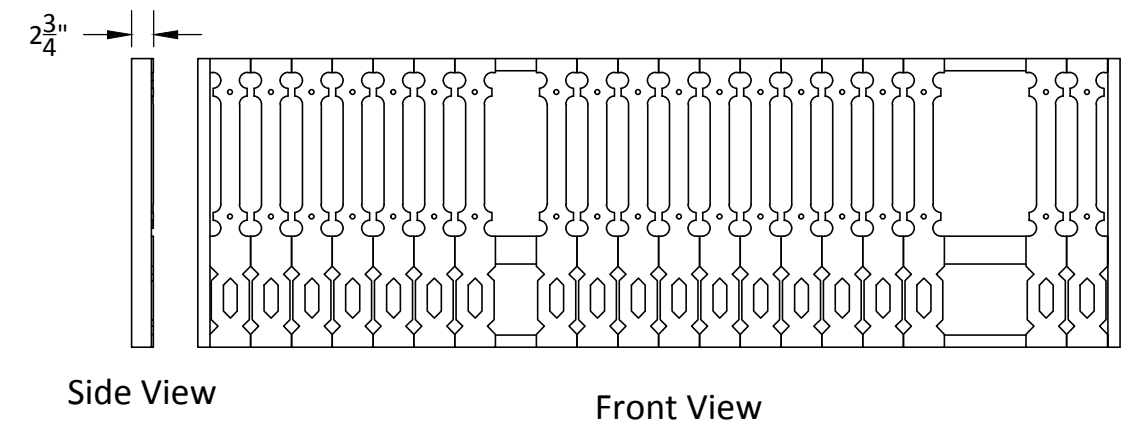
SR Railing Applique- Scale:  $\frac{1}{2}$ "=1'-0"

Skin frame as shown.

Use an applique piece as spacer as needed.

Layout must be approved by TD and Scene Designer before securing.

Glue and Brad.



3  
D35

SL Railing Applique- Scale:  $\frac{1}{2}$ "=1'-0"

Skin frame as shown.

Use an applique piece as spacer as needed.

Layout must be approved by TD and Scene Designer before securing.

Glue and Brad.

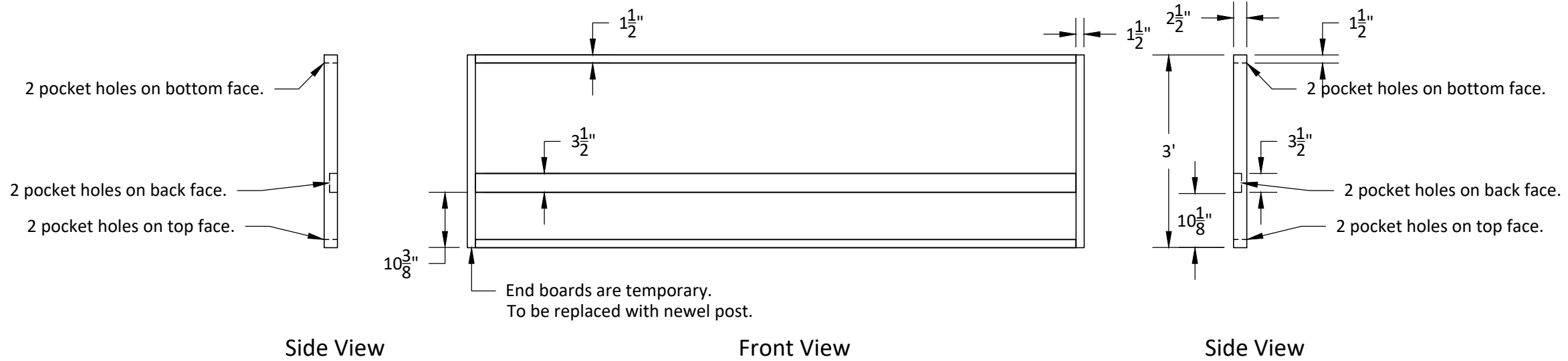


# Dracula

## Level 2 Front Railing

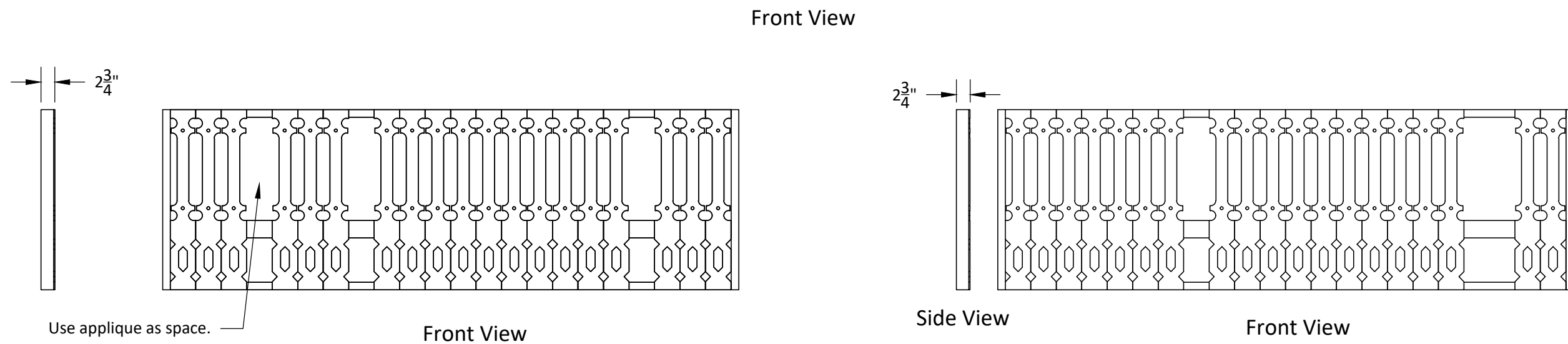
Director: B.Glenn	Designer: S.Culpepper
Tech Director: Aaron Mayer	Drafted By: A.Mayer
DWG Date: 9/30/2017	REV Date: 10/3/2017 v2   Scale: As Noted

DWG #:  
**D35**



1  
D35

Frame- Scale:  $\frac{1}{2}''=1'-0''$   
 Build 2 from 2x4.  
 Drill HD pocket holes as indicated



2  
D35

SR Railing Applique- Scale:  $\frac{1}{2}''=1'-0''$   
 Skin frame as shown.  
 Use an applique piece as spacer as needed.  
 Layout must be approved by TD and Scene Designer before securing.  
 Glue and Brad.

3  
D35

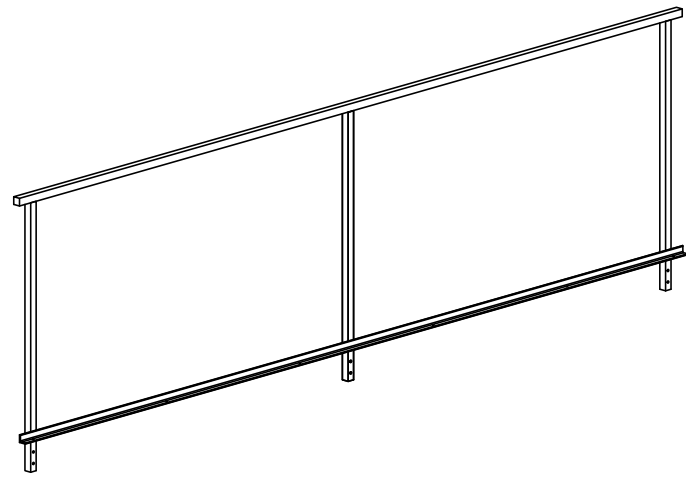
SL Railing Applique- Scale:  $\frac{1}{2}''=1'-0''$   
 Skin frame as shown.  
 Use an applique piece as spacer as needed.  
 Layout must be approved by TD and Scene Designer before securing.  
 Glue and Brad.



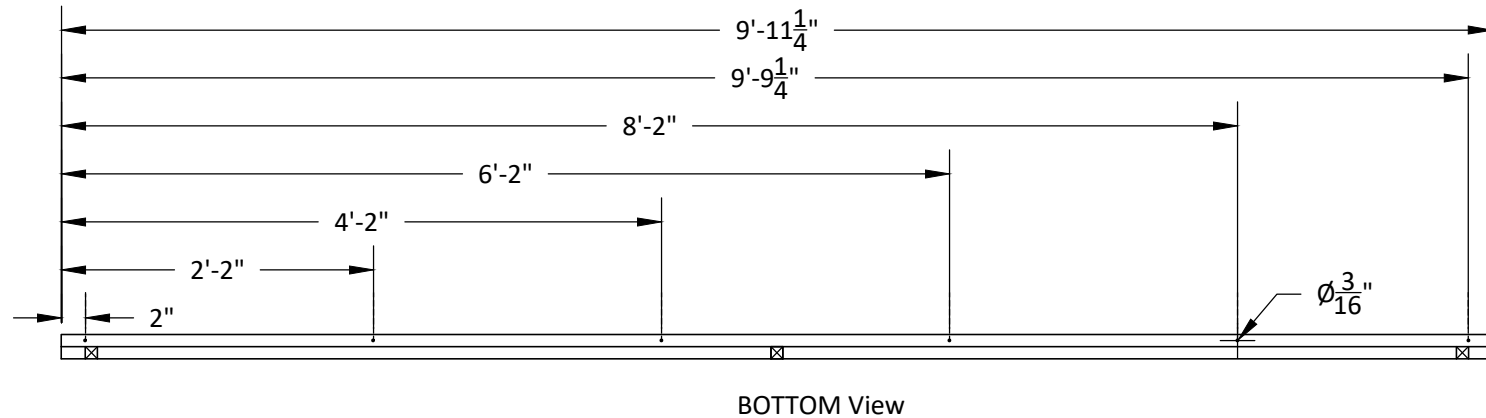
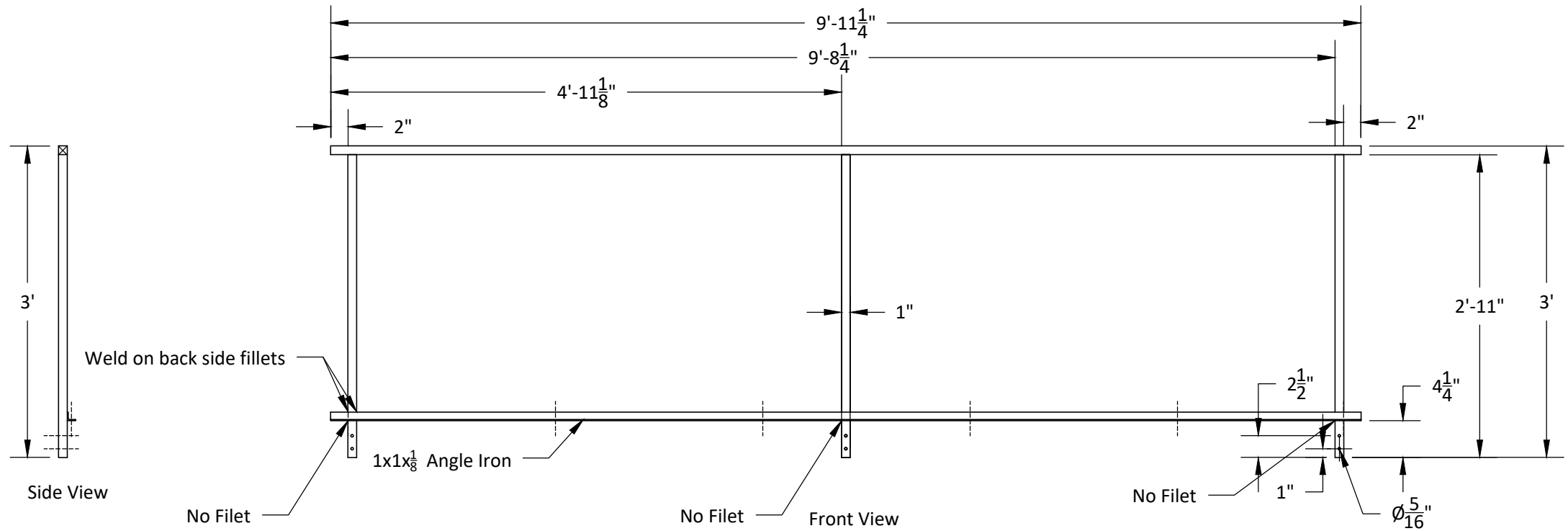
# Dracula

<b>Level 2 Front Railing</b>		
Director: B.Glenn	Designer: S.Culpepper	
Tech Director: Aaron Mayer	Drafted By: A.Mayer	
DWG Date: 9/30/2017	REV Date:	Scale: As Noted

DWG #:  
**D35**



1 Railing Iso  
D36



2 Back railing- Scale:  $\frac{3}{4}$ "=1'-0"  
D36 Build 2 from 1x1 box tube and 1x1x $\frac{1}{8}$  Angle.  
Drill Holes, weld fillets.

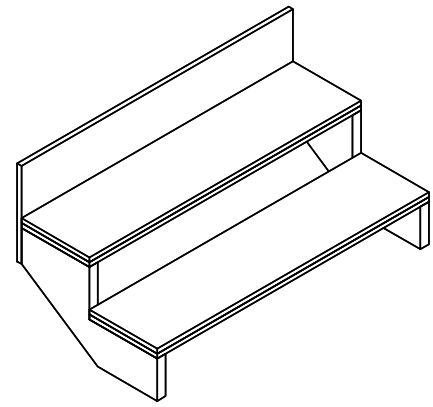


Dracula

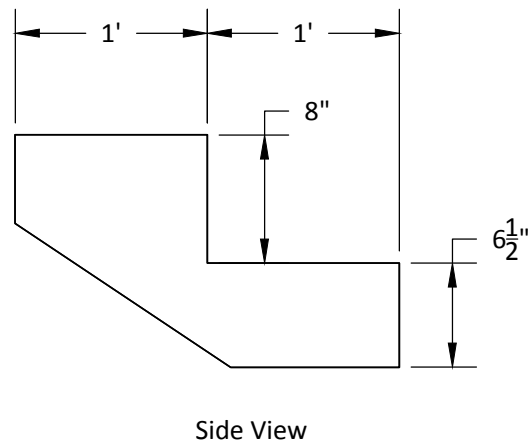
Level 2 Back Railing

Director: B.Glenn	Designer: S.Culpepper
Tech Director: Aaron Mayer	Drafted By: A.Mayer
DWG Date: 9/30/2017	REV Date: Scale: As Noted

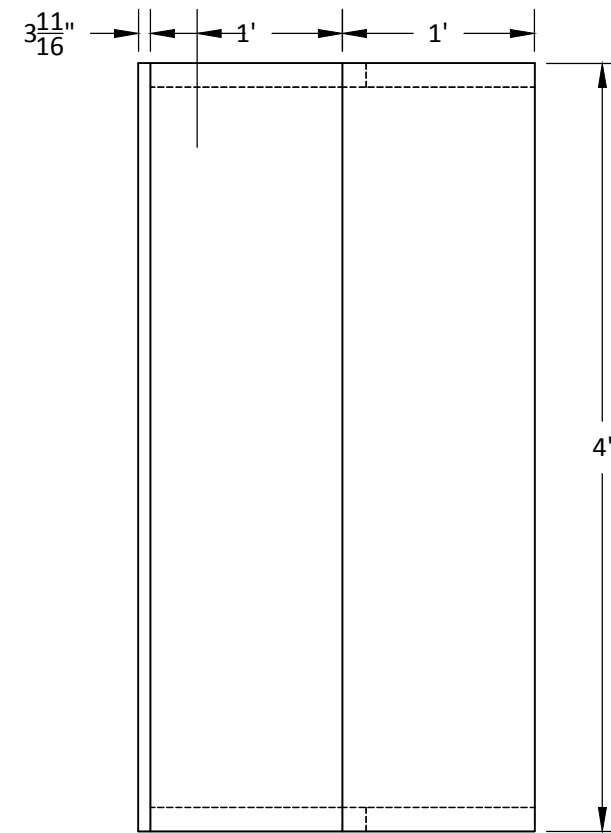
DWG #:  
D36



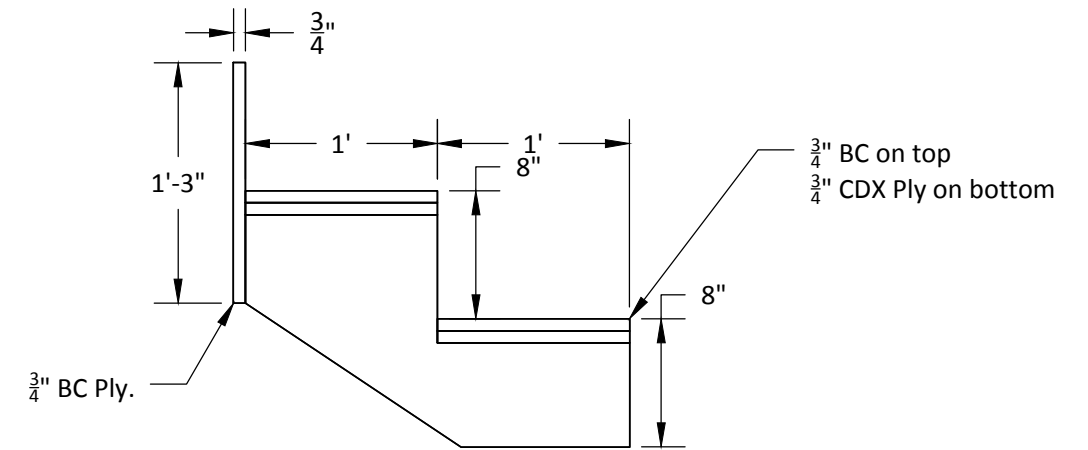
1 Step Iso  
D38



2 Stringers- Scale: 1"=1'-0"  
D38 Build 2 from 2x12 scrap.



Top View



Side View

3 Stringers- Scale: 1"=1'-0"  
D38 Assemble 1 from components.  
Treads are 3/4" CDX on bottom and BC on top.  
Glue and screw CDX, Glue and Finish nail BC.



# Dracula

## Level 2 SR 2Stepper

Director: B.Glenn

Designer: S.Culpepper

Tech Director: Aaron Mayer

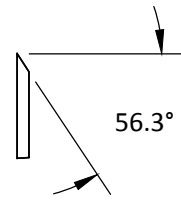
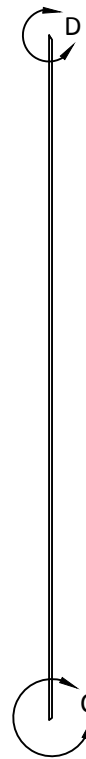
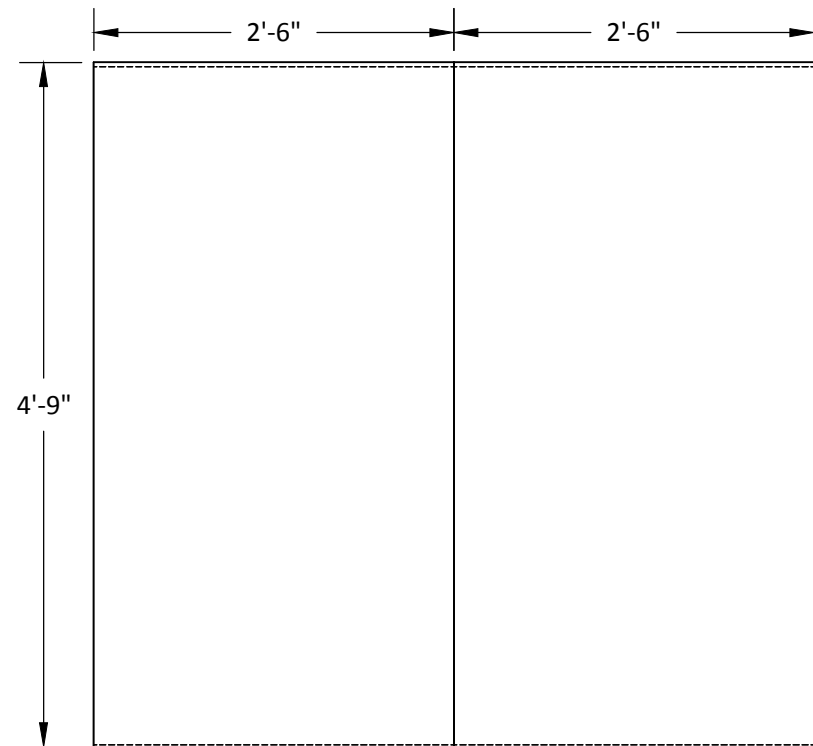
Drafted By: A.Mayer

DWG Date: 10/2/2017

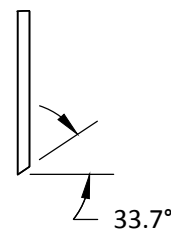
REV Date:

Scale: As Noted

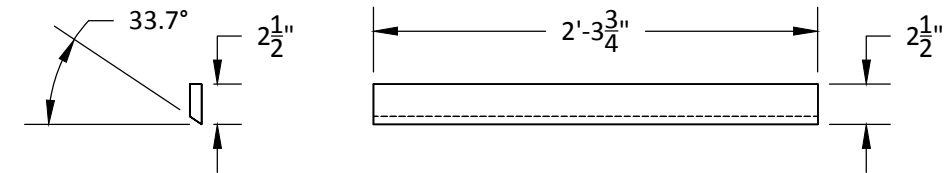
DWG #:  
**D38**



DETAIL D  
SCALE 3" = 1'-0"



DETAIL C  
SCALE 3" = 1'-0"



2 Facing Nailers- Scale: 1"=1'-0"  
D39 Build 8 from 3/4" plywood.

1 Facing- Scale: 3/4"=1'-0"  
D39 Build 2 from Iuan.



# Dracula

## Wing Step Facing and Nailers

Director: B.Glenn

Designer: S.Culpepper

Tech Director: Aaron Mayer

Drafted By: A.Mayer

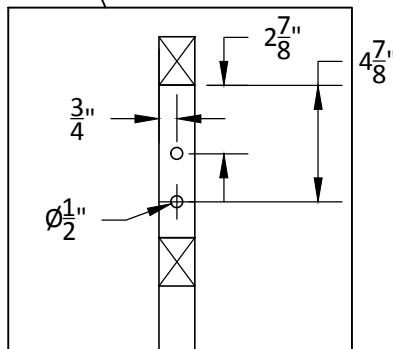
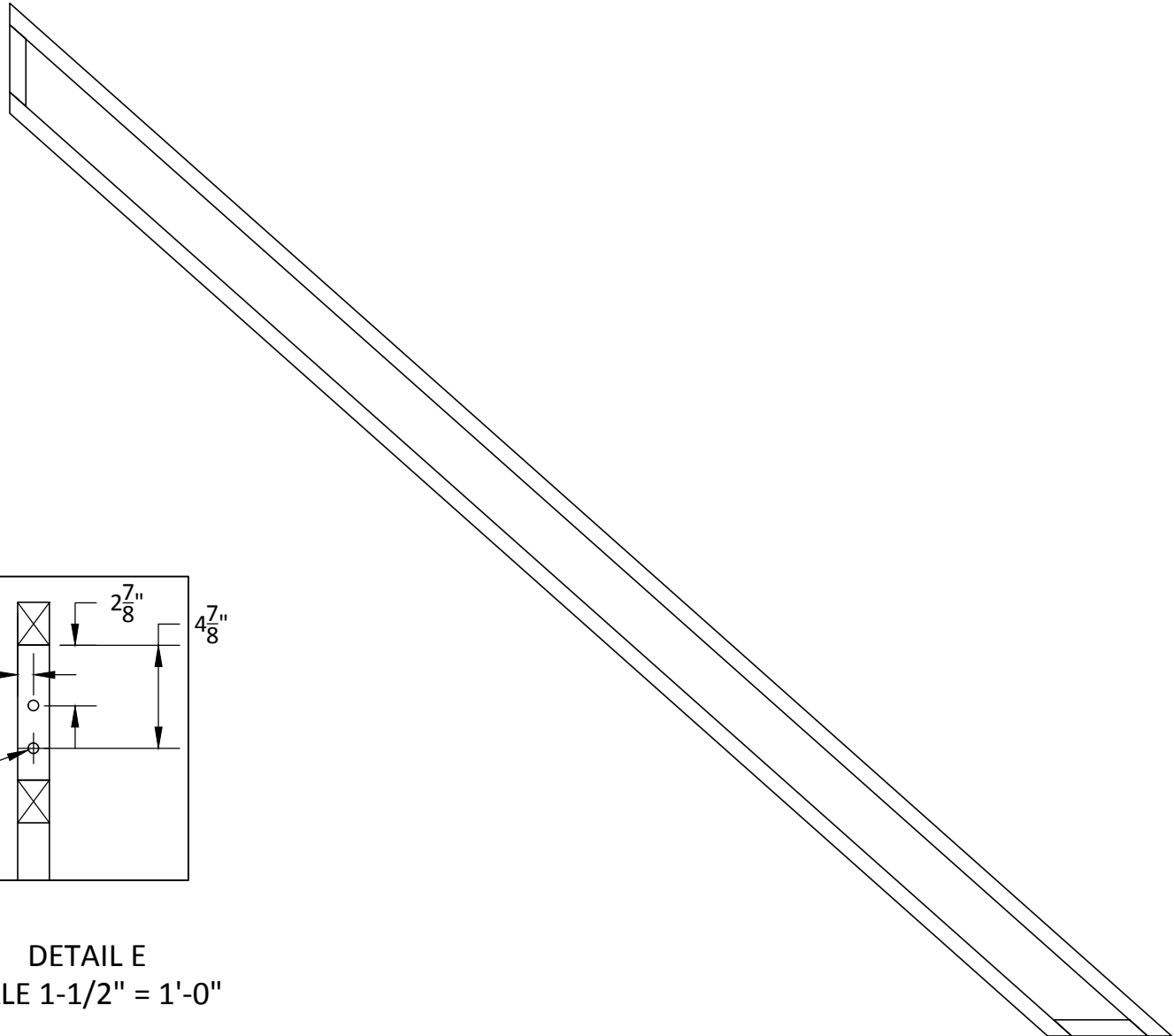
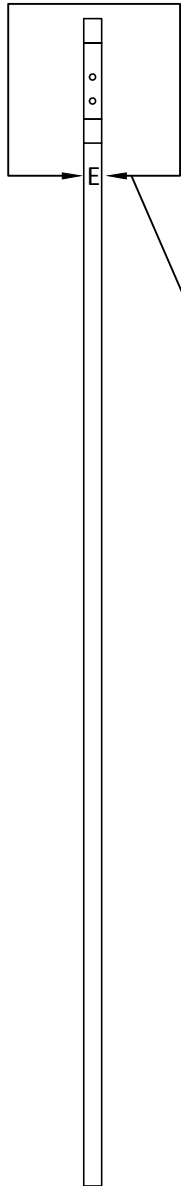
DWG Date: 10/2/2017

REV Date:

Scale: As Noted

DWG #:

**D39**



DETAIL E  
SCALE 1-1/2" = 1'-0"



# Dracula

<b>Steel Stair Right Stringer Holes</b>		
Director: B.Glenn	Designer: S.Culpepper	
Tech Director: Aaron Mayer	Drafted By: A.Mayer	
DWG Date: 10/4/2017	REV Date:	Scale: 3/4"=1'-0"

DWG #:  
**D40**



## Chain Hoist Rigging Cable Lengths

Unit/Location	Qty.	Length
Level 2 Platforms	8	7'-1 3/8"
Torture 2- DSL	1	6'-5 <sup>15</sup> / <sub>16</sub> "
Torture 2-DSR	1	7'-6 7/8"
Torture 2-USL	1	7'-6 1/8"
Torture 2- USR	1	7'-5 3/8"
Torture 1-DSL	1	6'-6 3/16"
Torture 1-DSR	1	6'-9 7/8"
Torture 1-USR	1	7'-9 9/16"
Torture 1-USL	1	8'-4 3/4"
Torture 3	4	7'-10 7/16"

STOP HERE 

2  
D41

Cable Lengths- Scale: N/A

All cables should have one end with a thimble and one soft end.

Only make cables for Level 2 Platforms and Torture 2 to start with.



# Dracula

### Chain Hoist Rigging Cables

Director: B.Glenn

Designer: S.Culpepper

Tech Director: Aaron Mayer

Drafted By: A.Mayer

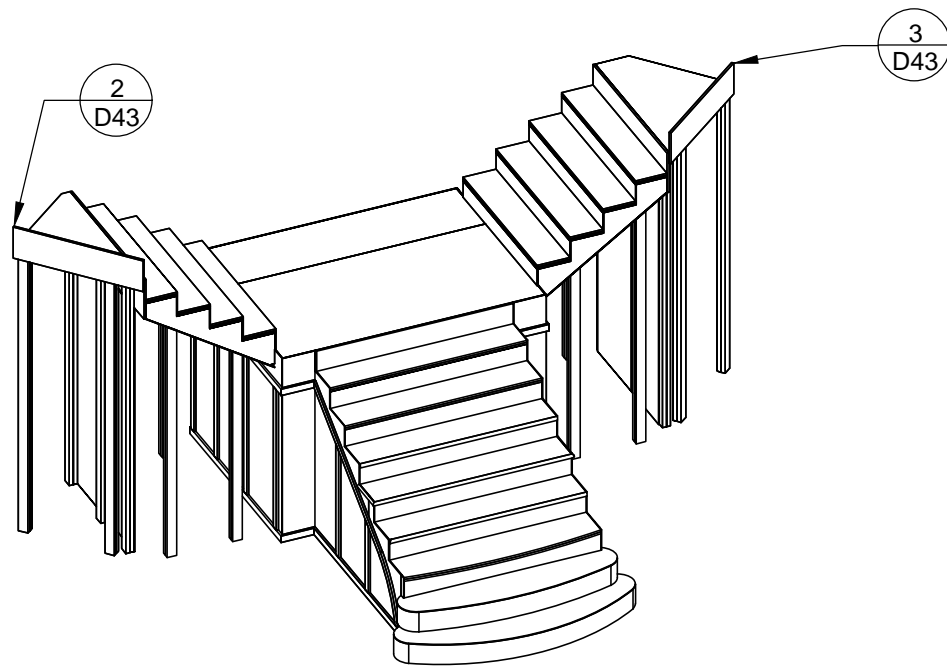
DWG Date:10/5/2017

REV Date:

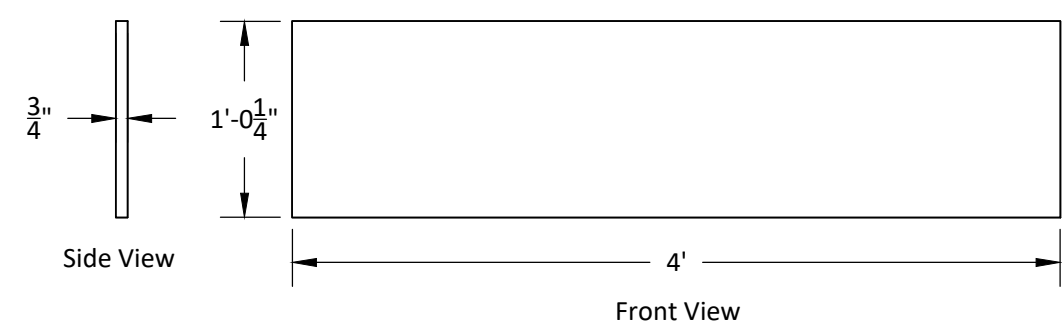
Scale: As Noted

DWG #:

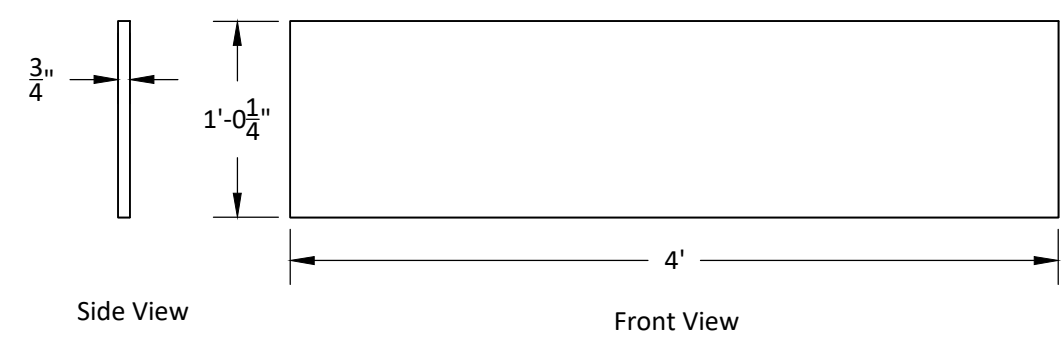
# D42



1 Set Iso  
D43



2 SR Wing Step Nailer- Scale: 1"=1'-0"  
D43 Build 1 from 3/4" BC Plywood.



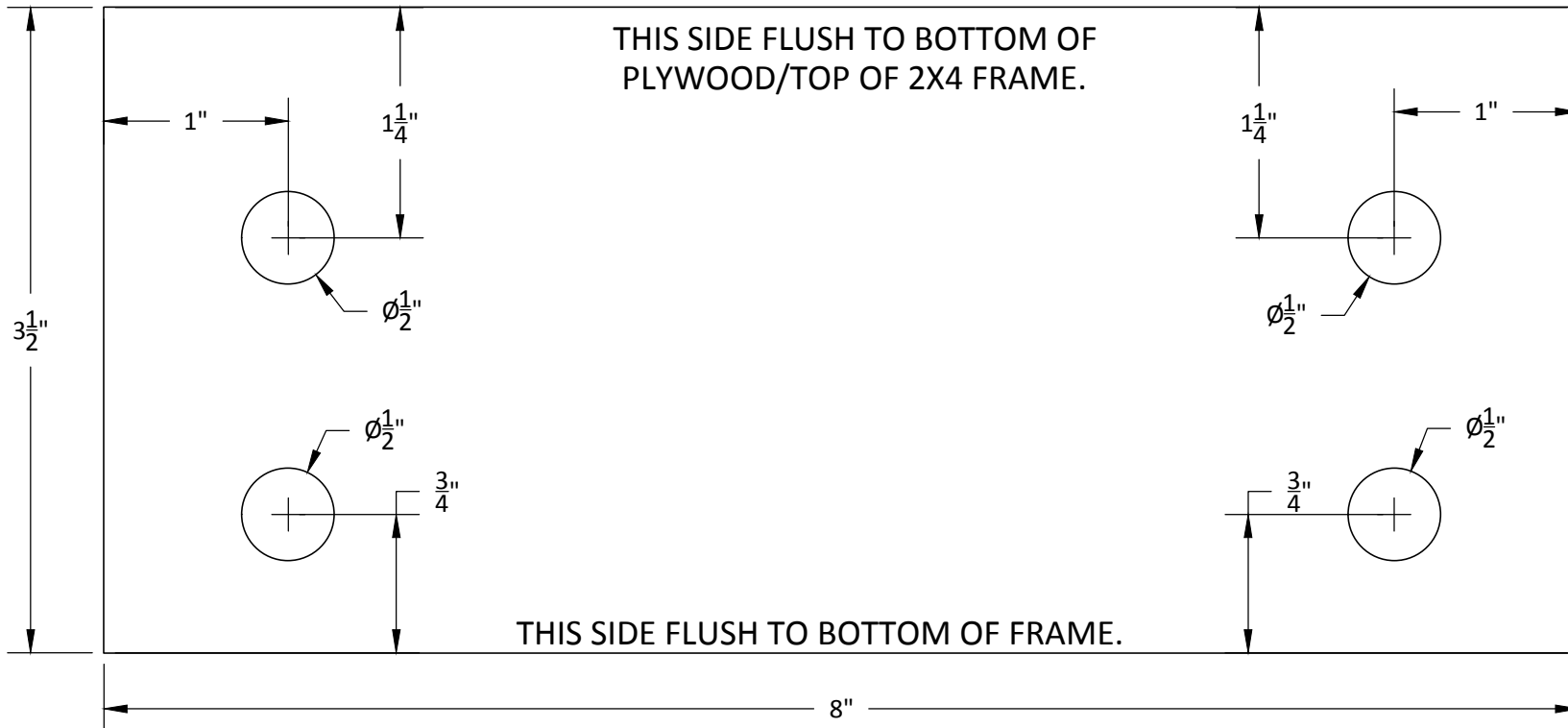
3 SL Wing Step Nailer- Scale: 1"=1'-0"  
D43 Build 1 from 3/4" BC Plywood.



# Dracula

Wing Step Nailers		
Director: B.Glenn	Designer: S.Culpepper	
Tech Director: Aaron Mayer	Drafted By: A.Mayer	
DWG Date: 10/5/2017	REV Date:	Scale: As Noted

DWG #:  
**D43**



1  
D44

Goal Post Bracket Template- Scale: Full Scale

Build 1 from  $\frac{3}{4}$ " Plywood.

**Drill holes on Drill press.**

Use as template to install brackets



# Dracula

Goal post bracket template

Director: B.Glenn

Designer: S.Culpepper

Tech Director: Aaron Mayer

Drafted By: A.Mayer

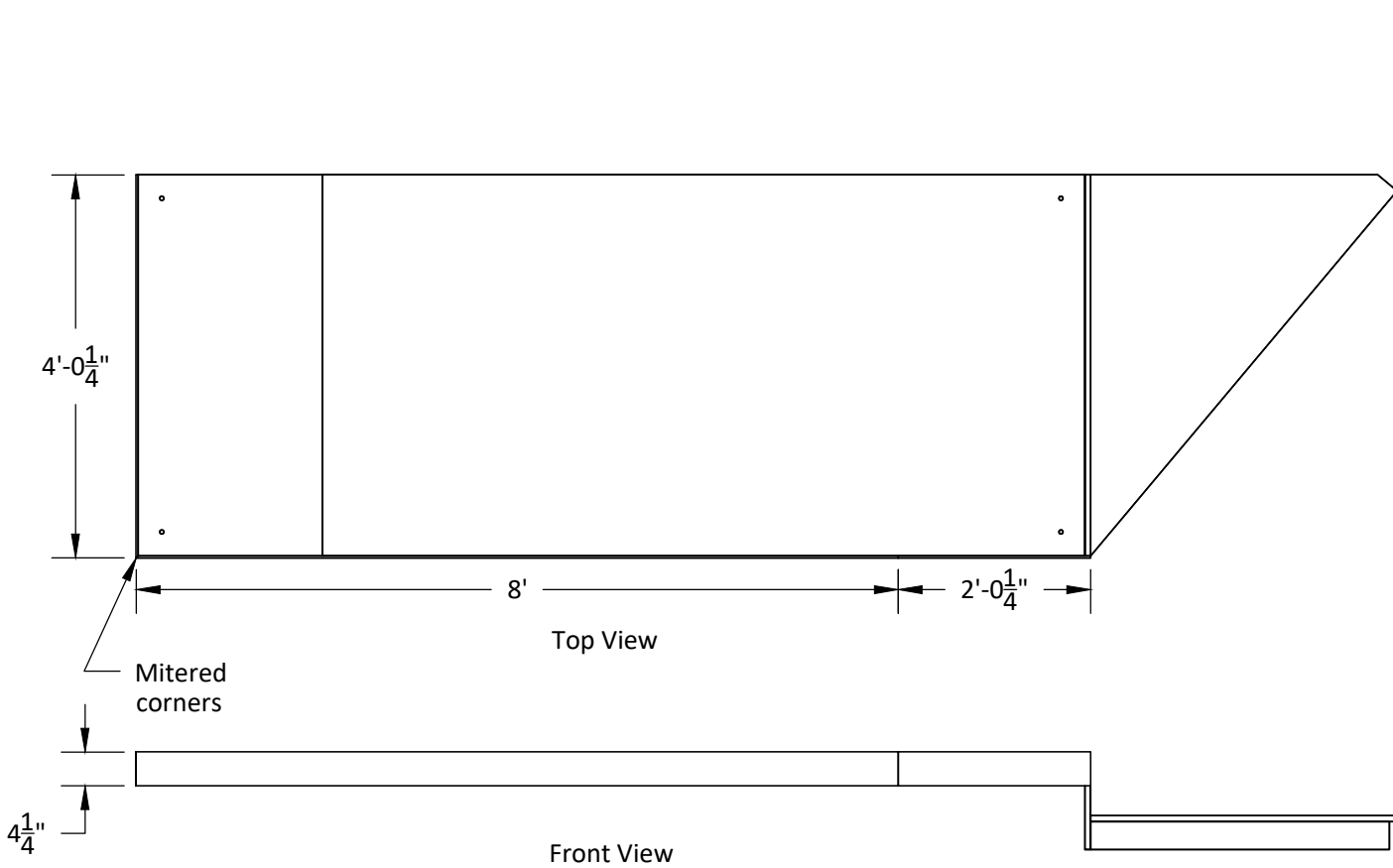
DWG Date:10/5/2017

REV Date:

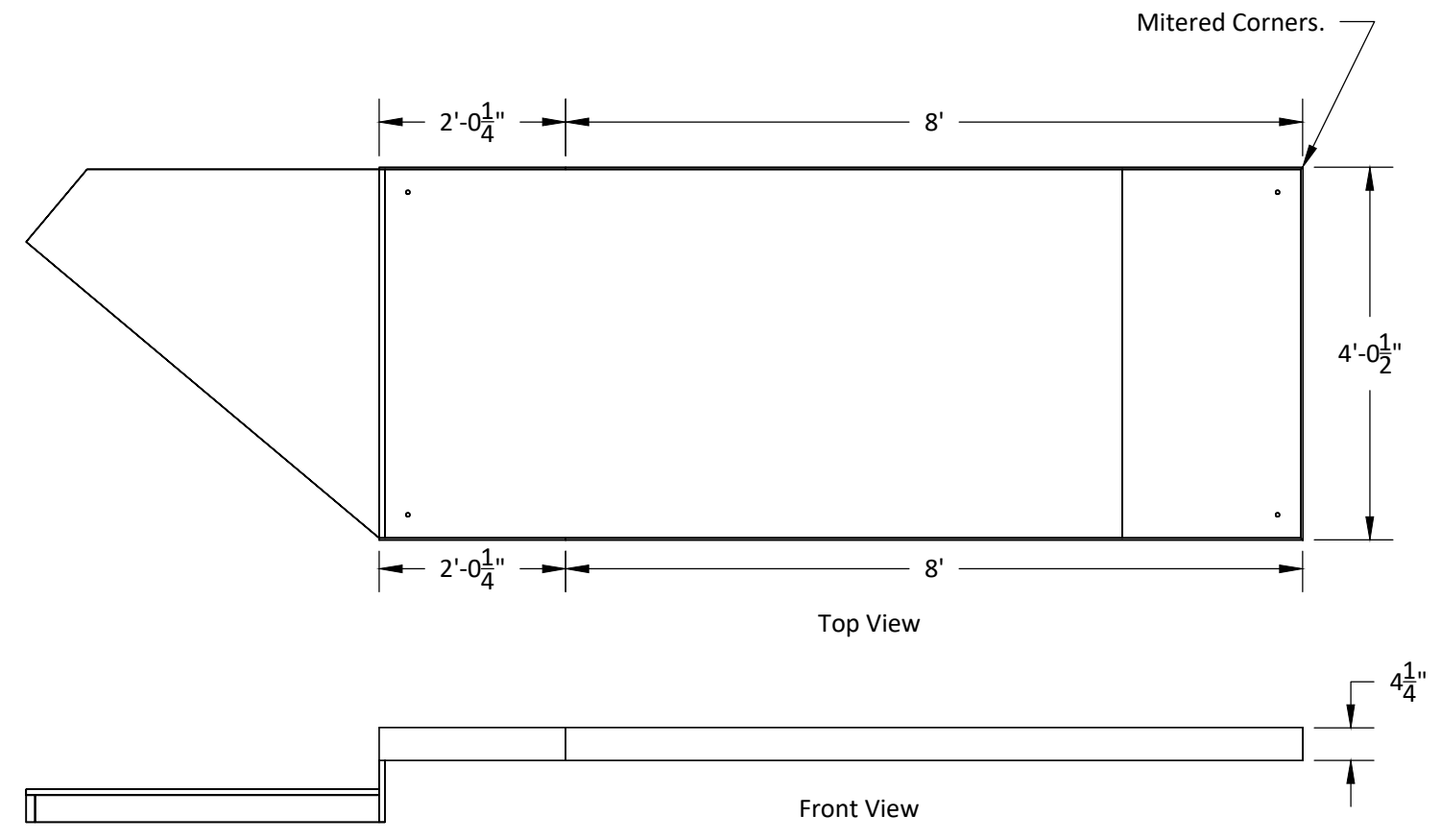
Scale: As Noted

DWG #:

**D44**



1  
D45 SR Platform- Scale:  $\frac{1}{2}''=1'-0''$   
Face platform on 2 sides with luan.  
Flush to Ply deck, Brad to platform.  
Corners must be tidy.



2  
D45 SL Platform- Scale:  $\frac{1}{2}''=1'-0''$   
Face platform on 2 sides with luan.  
Flush to Ply deck, Brad to platform.  
Corners must be tidy.

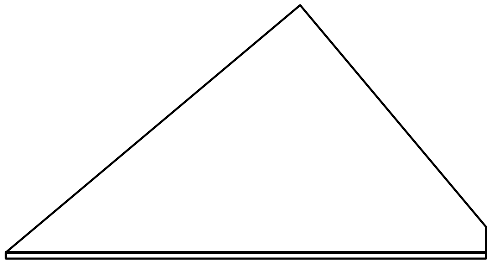


# Dracula

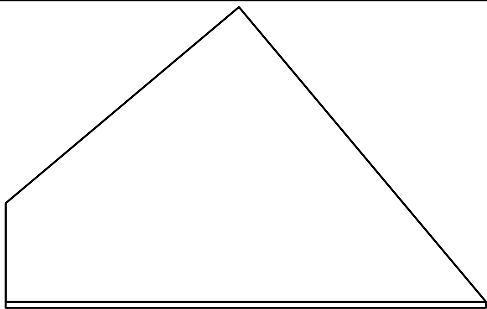
Level 2 Platform Facing		
Director: B.Glenn	Designer: S.Culpepper	
Tech Director: Aaron Mayer	Drafted By: A.Mayer	
DWG Date: 10/10/2017	REV Date:	Scale: As Noted

DWG #:  
**D45**

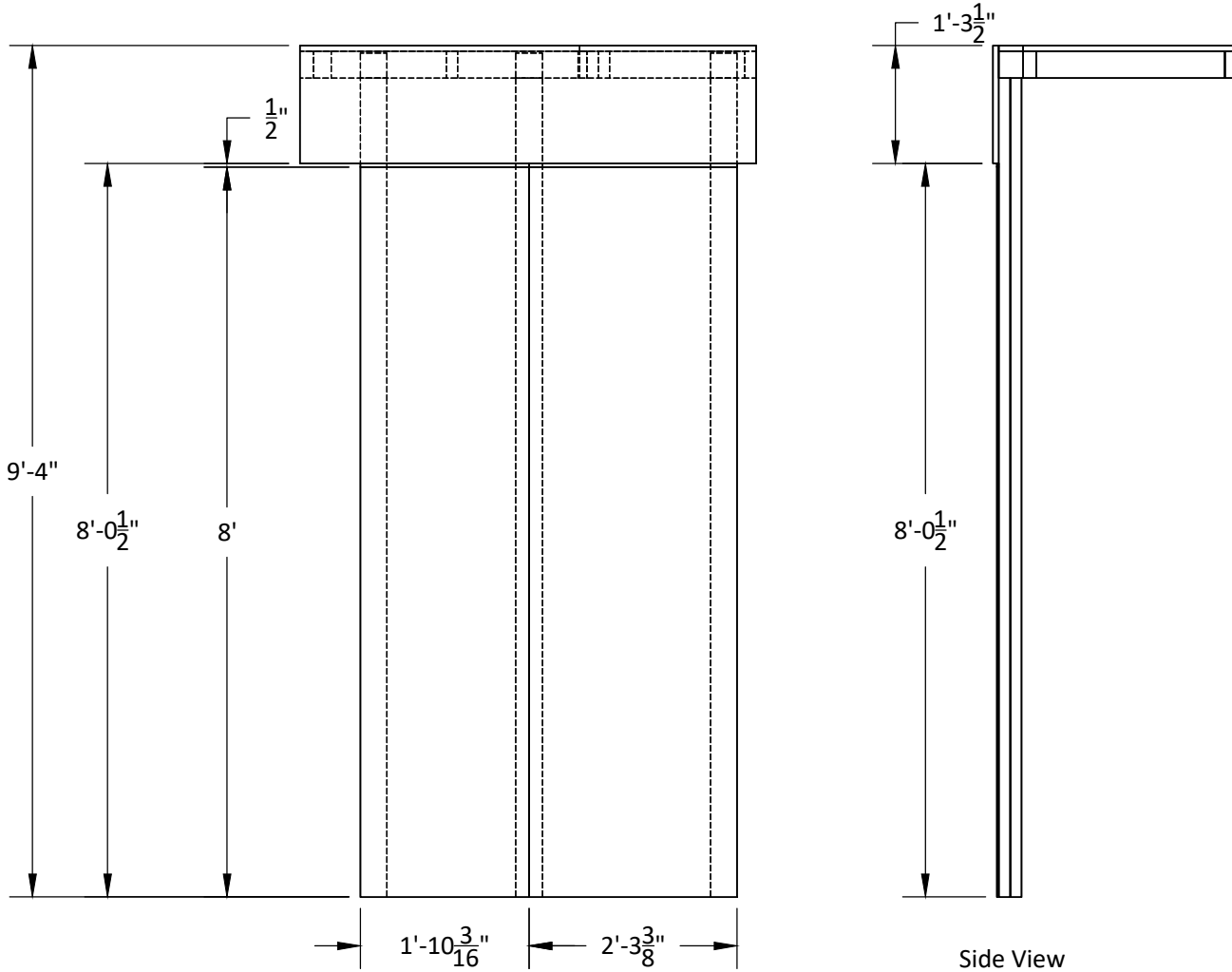
Some Legs removed for clarity.



Top View

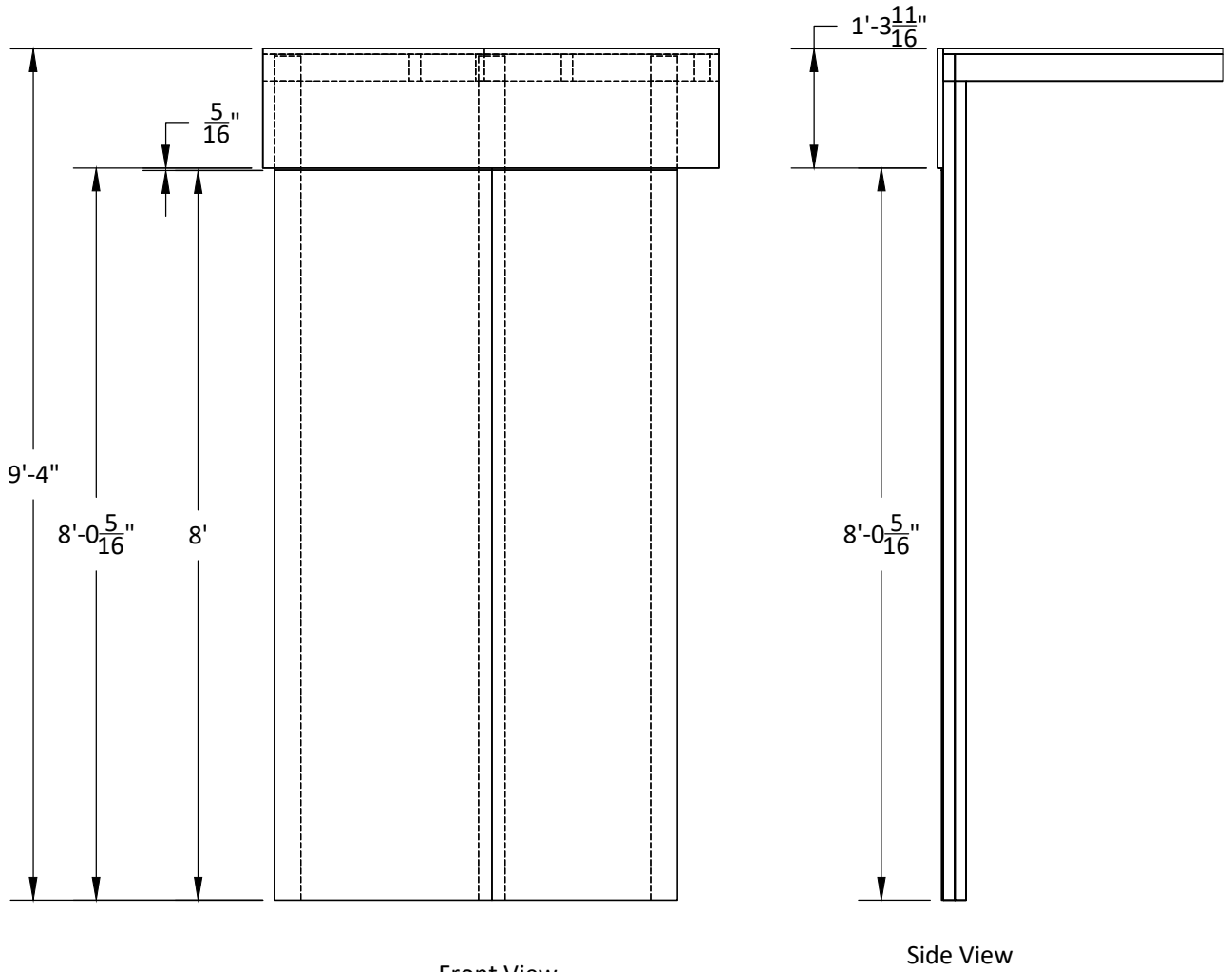


Top View



Front View

Side View



Front View

Side View

1  
D46 SR Wing Step- Scale:  $\frac{1}{2}$ "=1'-0"  
Face legs inside tunnel under stair nailer with luan. Confirm dimensions, CUT TO FIT. Brad to legs, scab to back of nailer if needed.

2  
D46 SR Wing Step- Scale:  $\frac{1}{2}$ "=1'-0"  
Face legs inside tunnel under stair nailer with luan. Confirm dimensions, CUT TO FIT. Brad to legs, scab to back of nailer if needed.

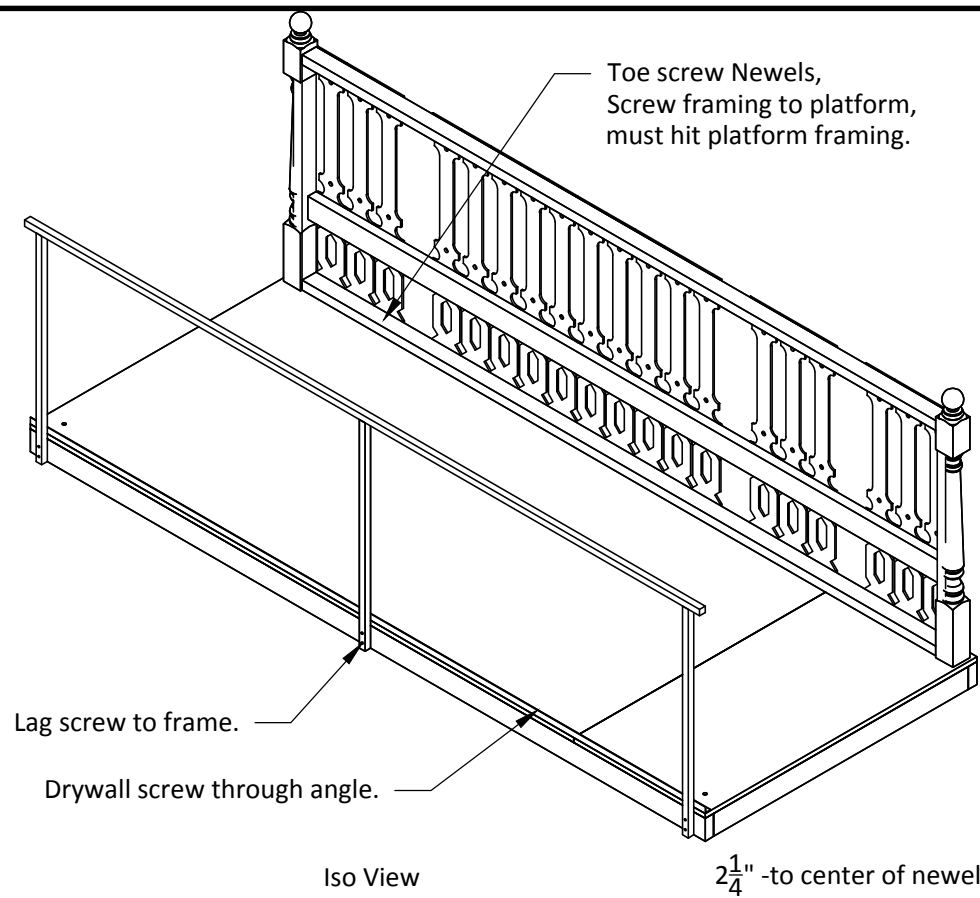


Dracula

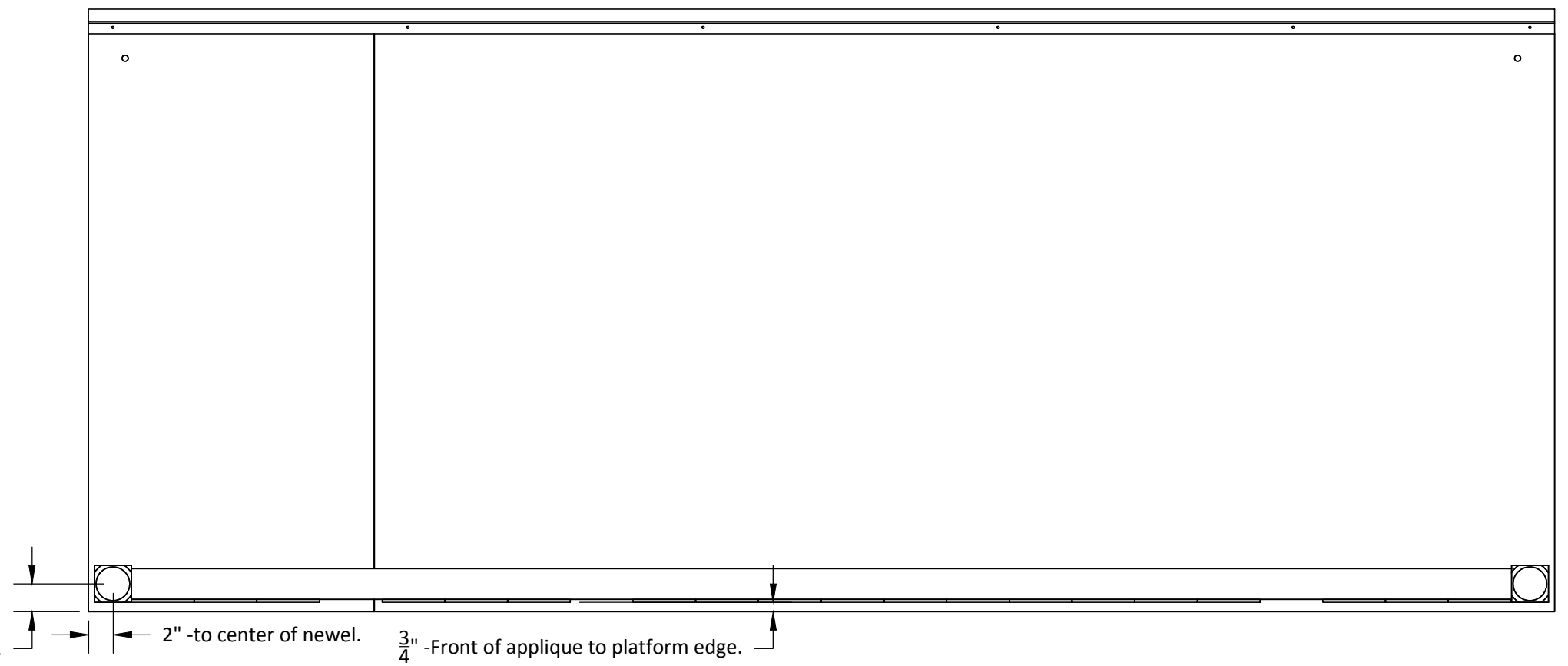
Wing Step Tunnel Facing

Director: B.Glenn	Designer: S.Culpepper
Tech Director: Aaron Mayer	Drafted By: A.Mayer
DWG Date: 10/10/2017	REV Date: Scale: As Noted

DWG #:  
D46

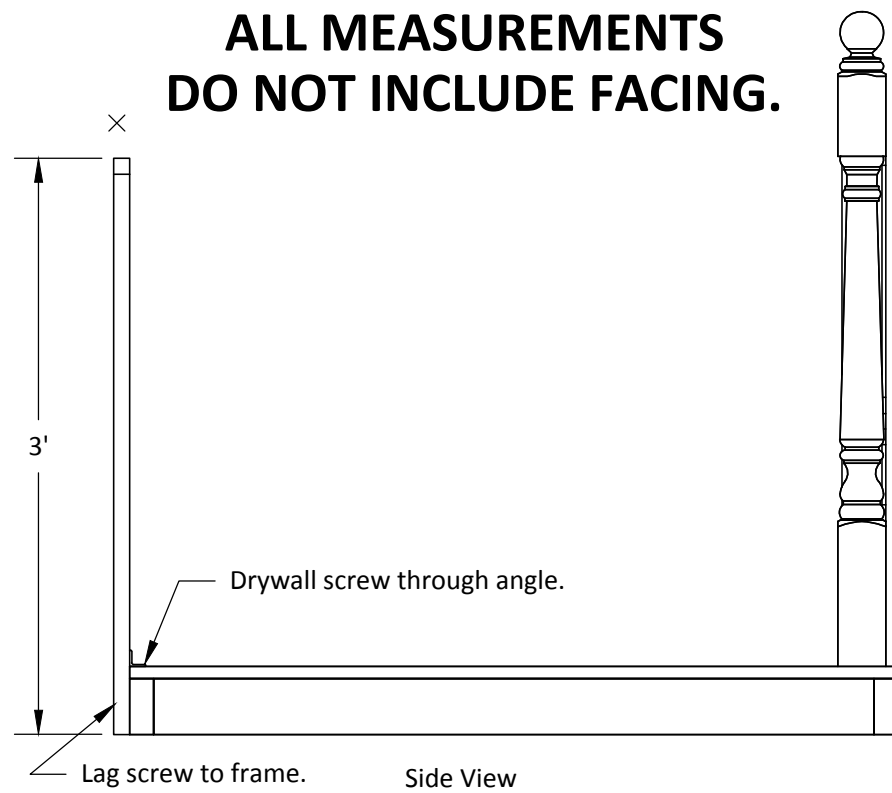


Iso View

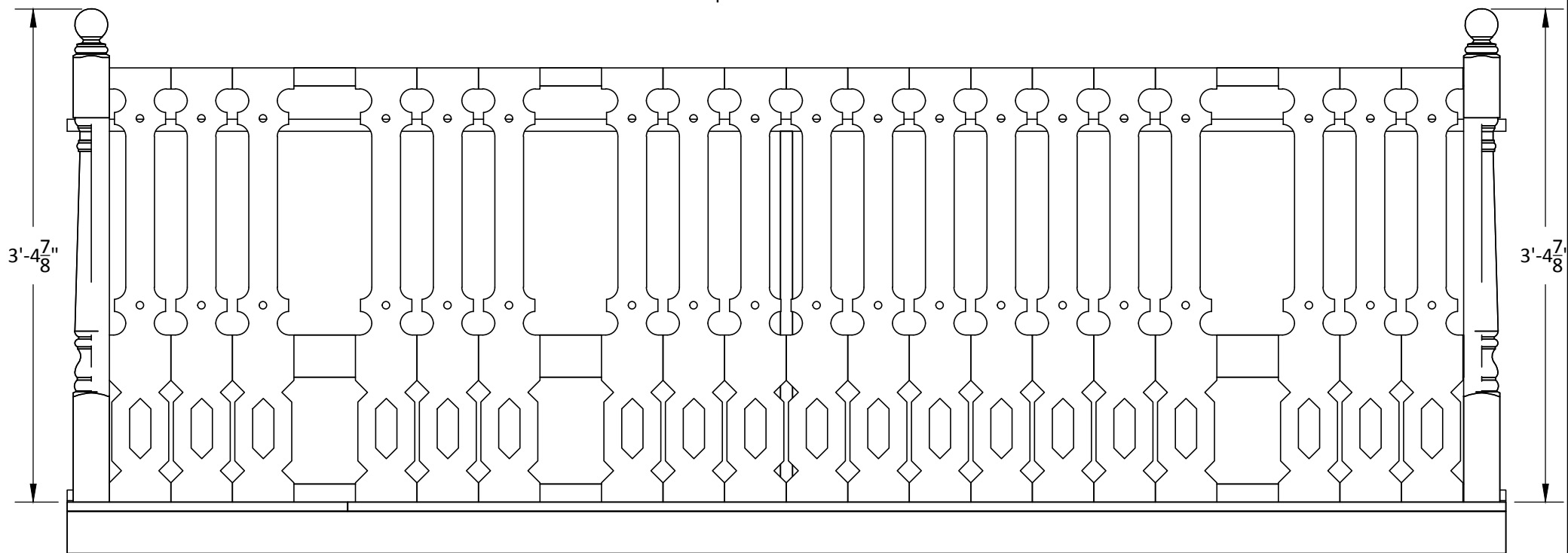


Top View

**ALL MEASUREMENTS  
DO NOT INCLUDE FACING.**



Side View



Front View

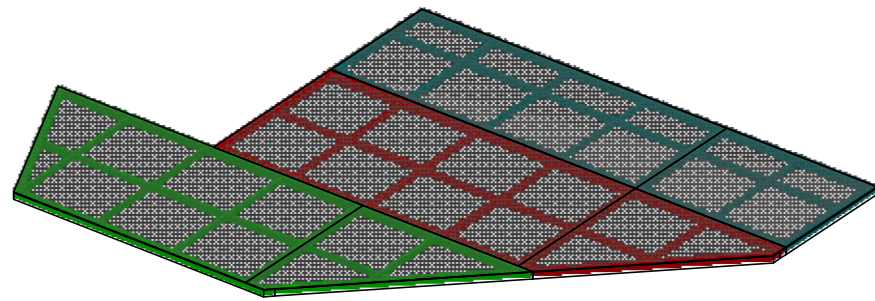


# Dracula

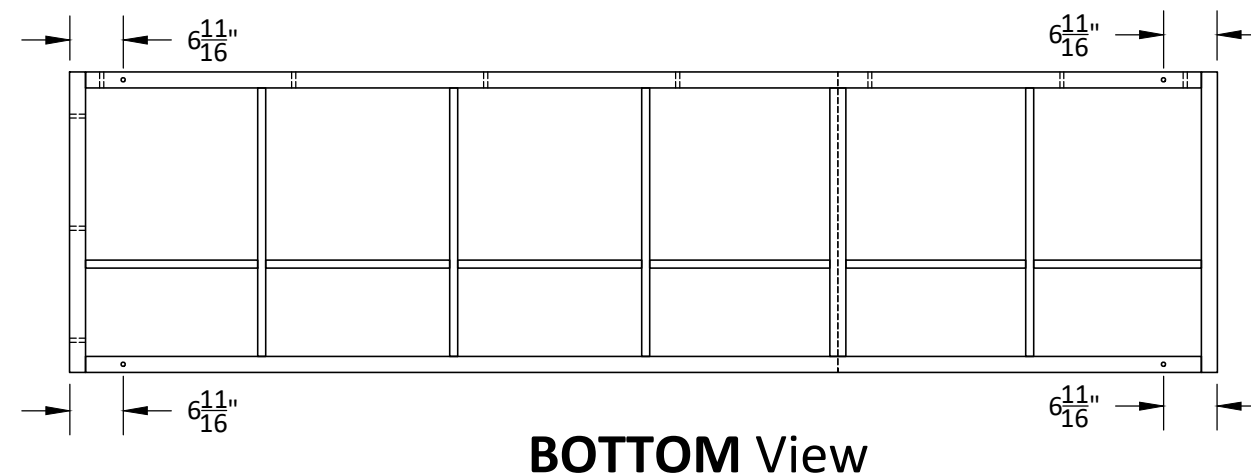
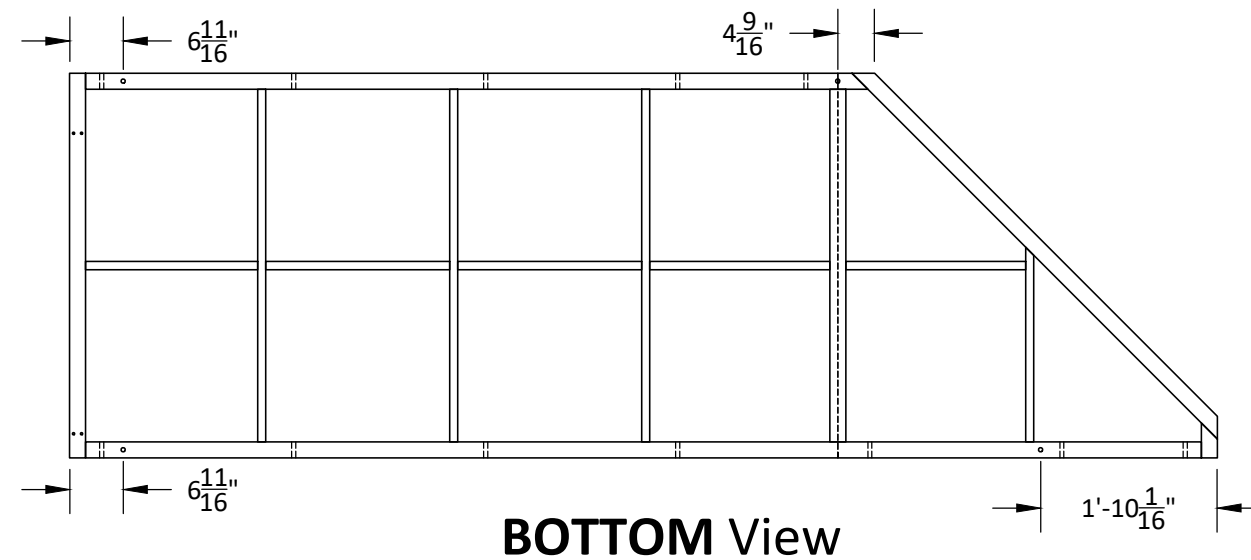
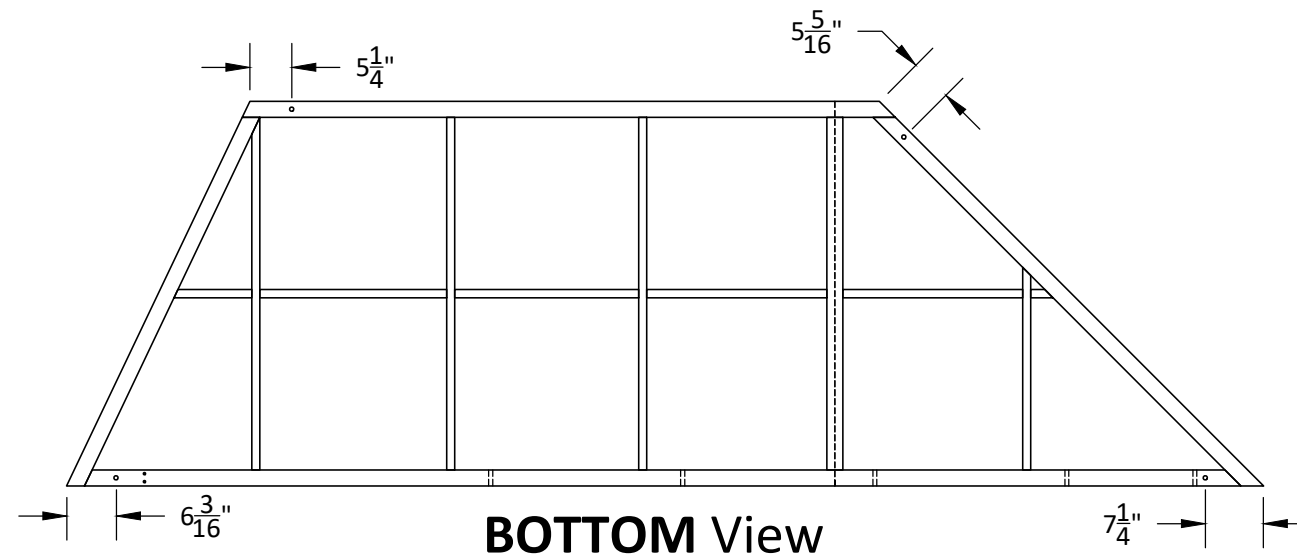
Typical Level 2 Railing Install- Secure as indicated

Director: B.Glenn	Designer: S.Culpepper
Tech Director: Aaron Mayer	Drafted By: A.Mayer
DWG Date: 10/10/2017	REV Date: Scale: As Noted

DWG #:  
**D47**



1 Torture Platform Iso  
D48



2 Rigging Holes- Scale:  $\frac{1}{2}$ "=1'-0"  
D48 Drill holes as indicated for rigging points.  
Cut away mesh on top as needed.  
All Holes are  $\frac{1}{2}$ " Diameter.

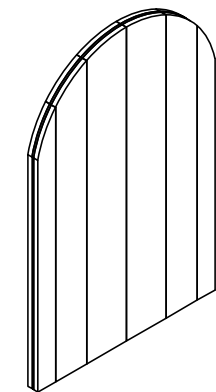


Dracula

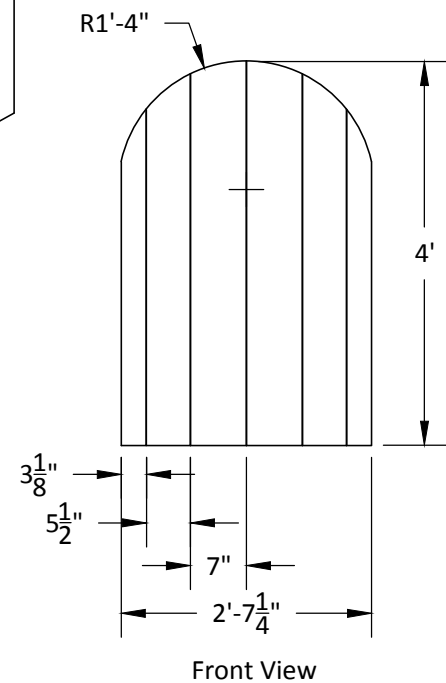
Torture Platform Rigging Holes

Director: B.Glenn	Designer: S.Culpepper
Tech Director: Aaron Mayer	Drafted By: A.Mayer
DWG Date: 10/10/2017	REV Date: Scale: As Noted

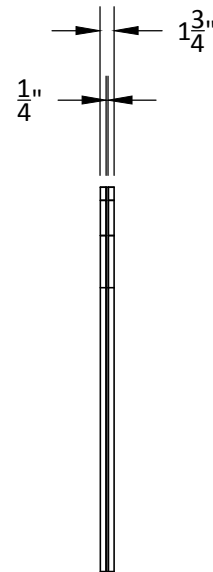
DWG #:  
**D487**



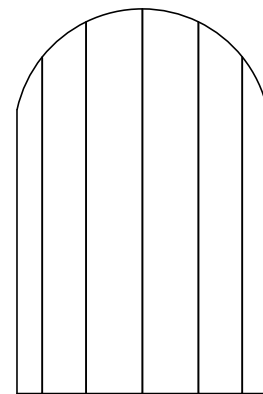
Iso View



Front View



Side View



BACK View

1  
D49

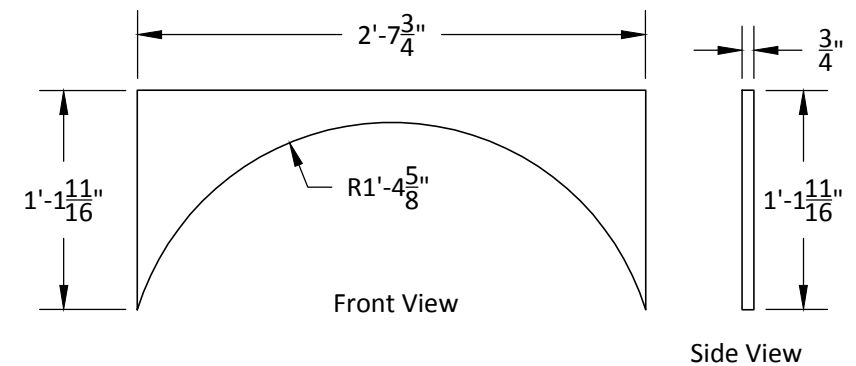
Door- Scale:  $\frac{1}{2}''=1'-0''$

Build 1 from 1x and Luan.

Construct as rectangle, then route curve all together.

Cut planks from 1x and pocket hole assemble.

Glue and finish nail to Luan core. Pocket holes hidden on inside!

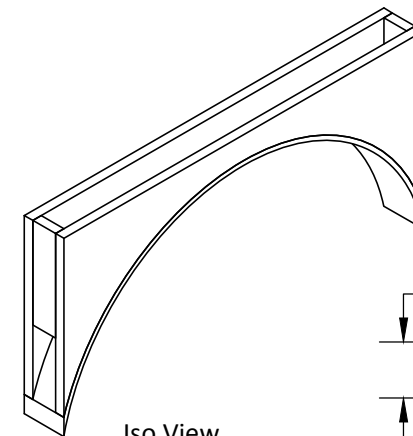


Front View

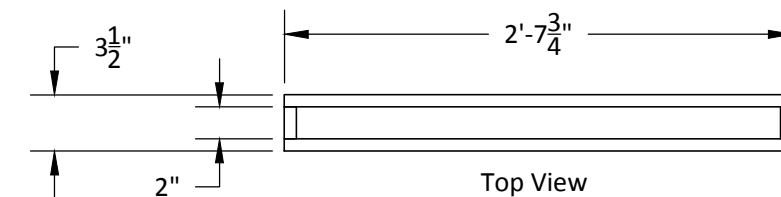
Side View

2  
D48

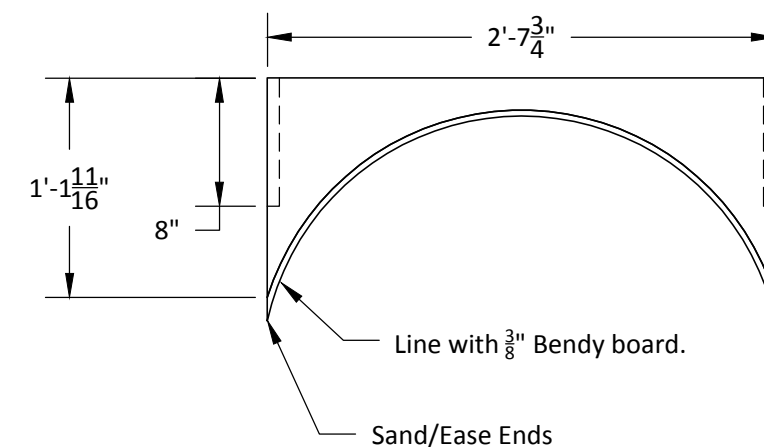
Return Arcs- Scale:  $1''=1'-0''$   
Build 2 from  $\frac{3}{4}''$  CDX Ply.  
Route Arc.



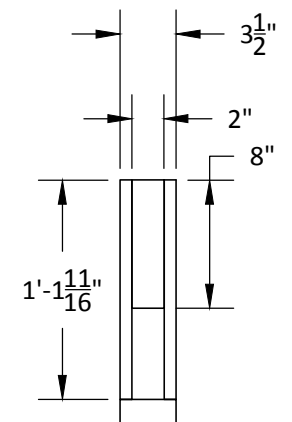
Iso View



Top View



Front View



Side View

2  
D49

Return Assembly- Scale:  $1''=1'-0''$   
Build 1 from  $\frac{3}{4}''$  CDX Ply and  $\frac{3}{8}''$  Bandy board.  
Glue and Staple.



# Dracula

## Hobbit Door and Return

Director: B.Glenn

Designer: S.Culpepper

Tech Director: Aaron Mayer

Drafted By: A.Mayer

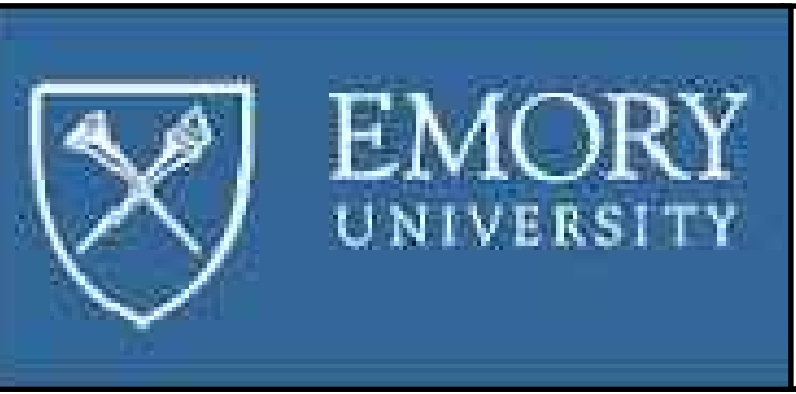
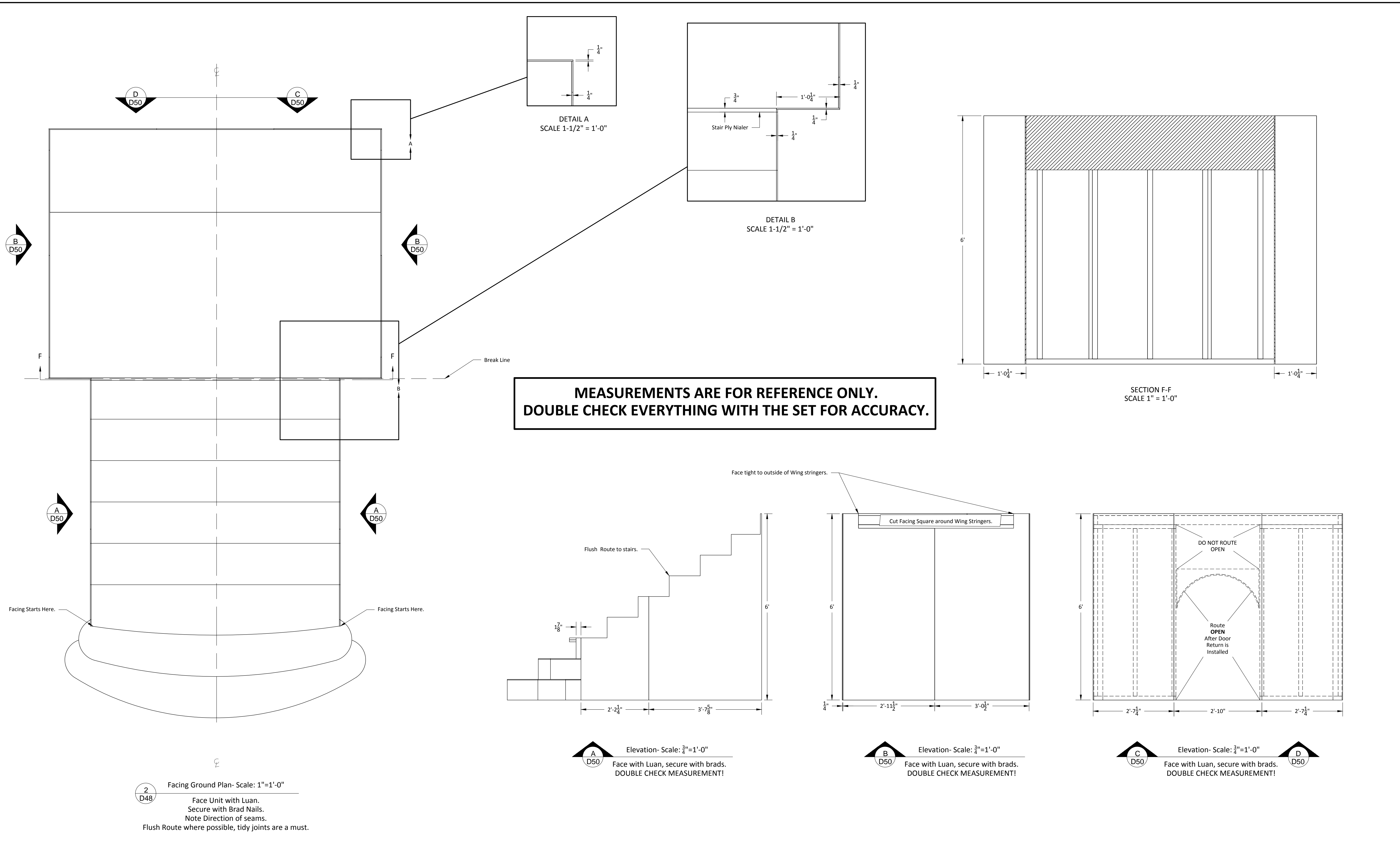
DWG Date: 10/10/2017

REV Date:

Scale: As Noted

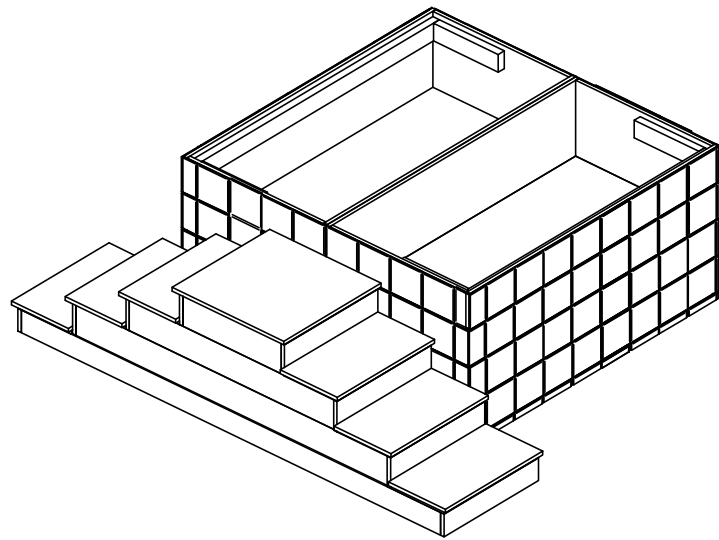
DWG #:  
**D49**



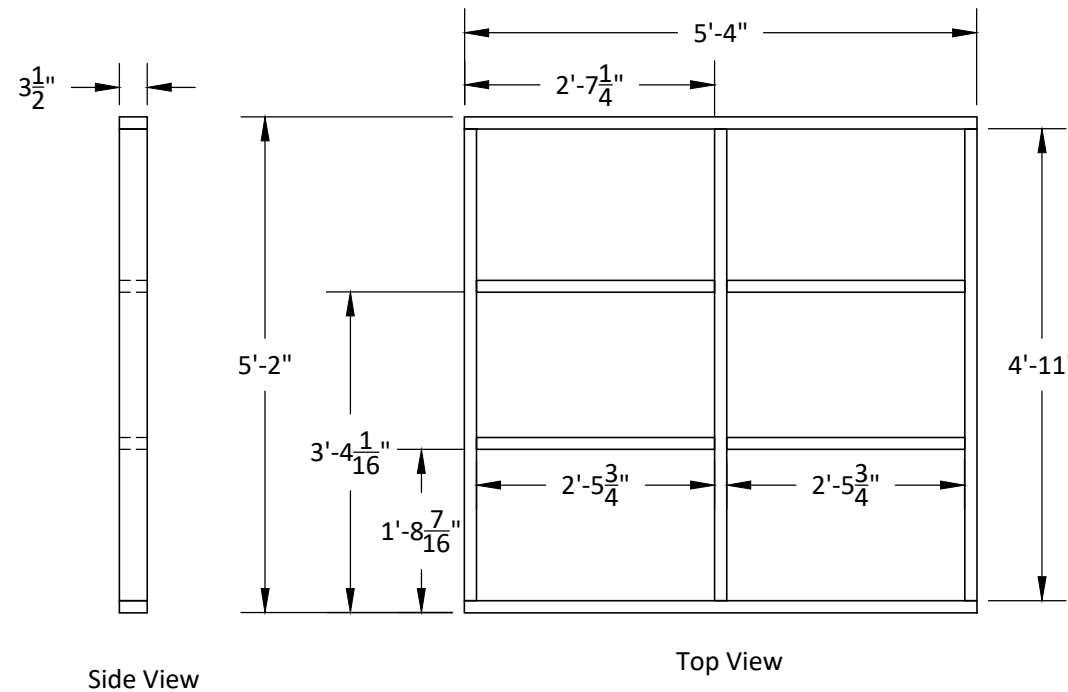


# Dracula

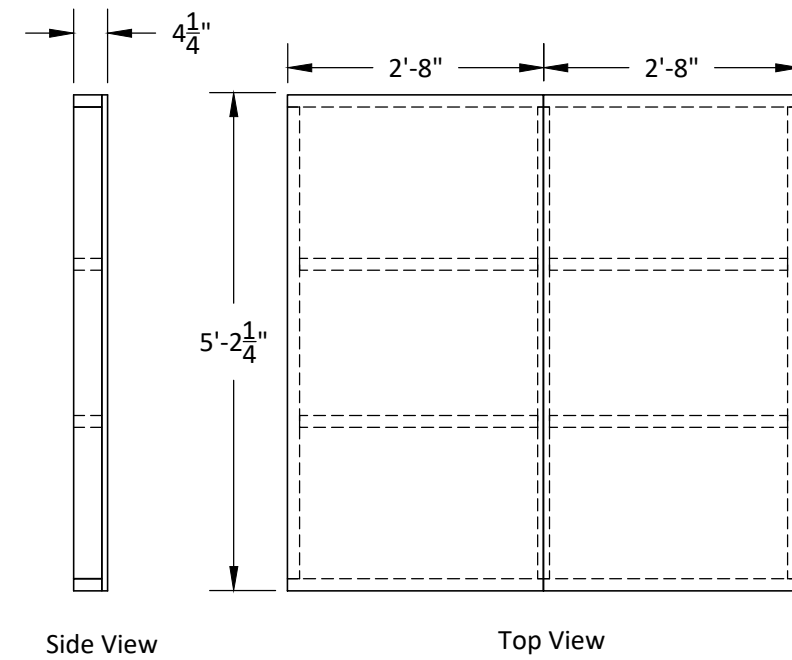
<b>Level 1 &amp; Grand Stairs Facing</b>		<b>DWG #: D50</b>
Director: B.Glenn	Designer: S.Culpepper	
Tech Director: Aaron Mayer	Drafted By: A.Mayer	
DWG Date: 10/11/2017	REV Date:	



1 Bath Tub Iso  
D51



2 Base Wagon- Scale: 1/2"=1'-0"  
D51 Build 1 from 2x4.  
Use scrap where possible.  
Glue and screw.



3 Base Wagon- Scale: 1/2"=1'-0"  
D51 Build 1 from 2x4.  
Use scrap where possible.  
Glue and screw.

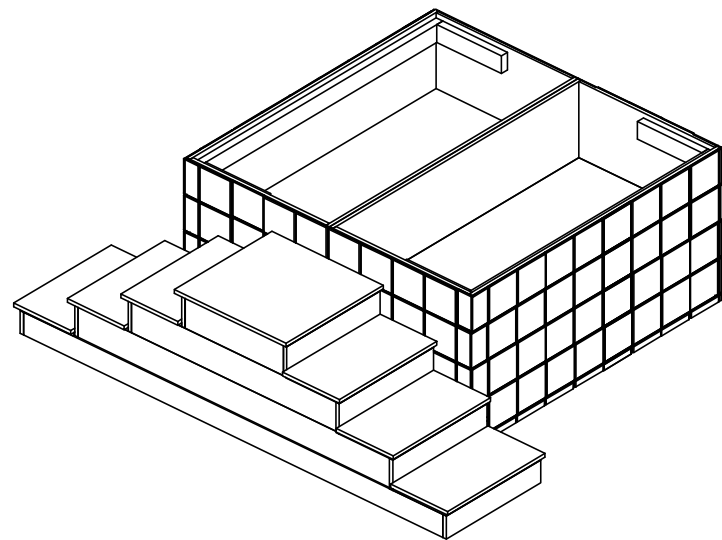


# Dracula

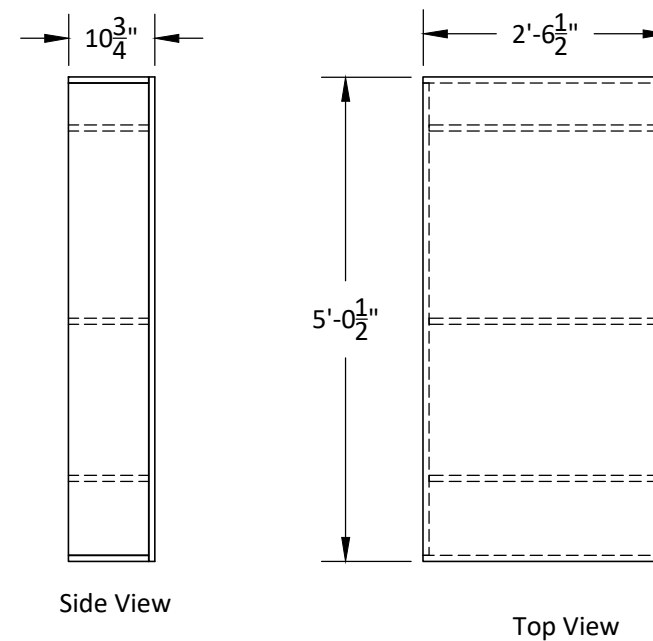
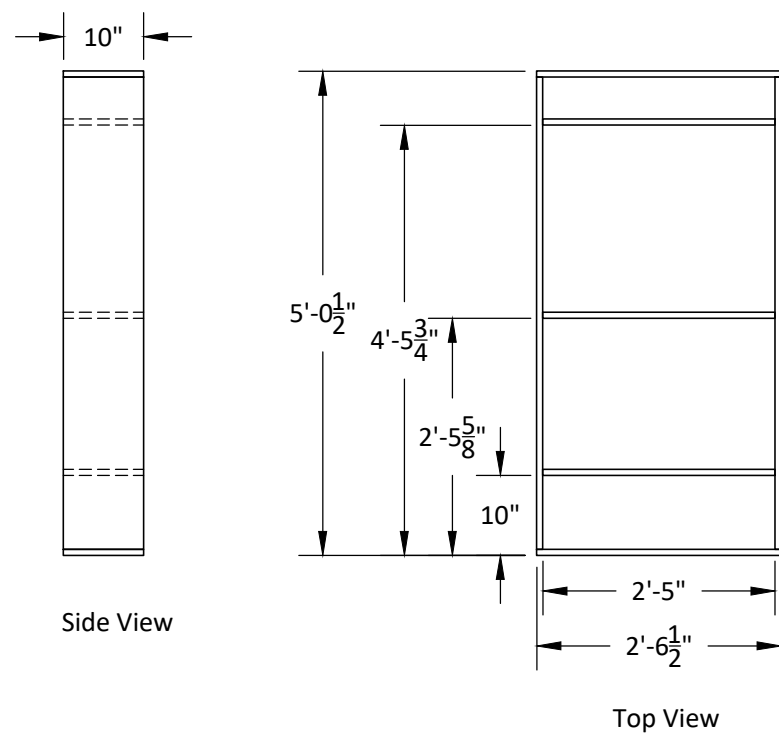
## Wagon

Director: B.Glenn	Designer: S.Culpepper
Tech Director: Aaron Mayer	Drafted By: A.Mayer
DWG Date: 10/16/2017	REV Date: Scale: As Noted

DWG #:  
**D51**



1 Bath Tub Iso  
D52



2 Surround Base Frame- Scale:  $\frac{1}{2}''=1'-0''$   
D52  
Build 2 from  $\frac{3}{4}''$  Ply/OSB.  
Glue and MC Staple.

3 Surround Base Deck- Scale:  $\frac{1}{2}''=1'-0''$   
D52  
Deck with  $\frac{3}{4}''$  Ply/OSB.  
Screw.

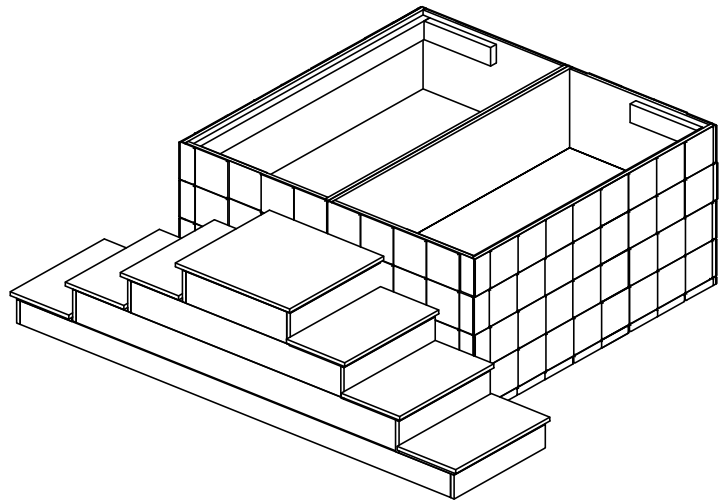


# Dracula

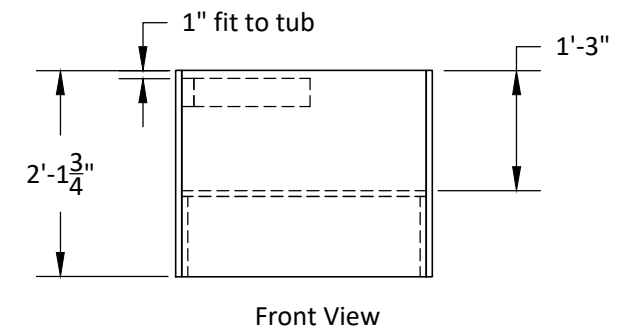
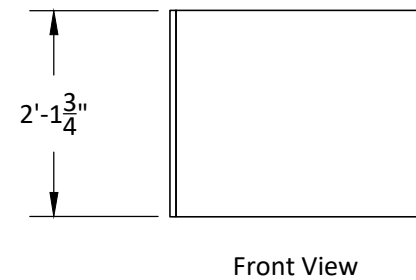
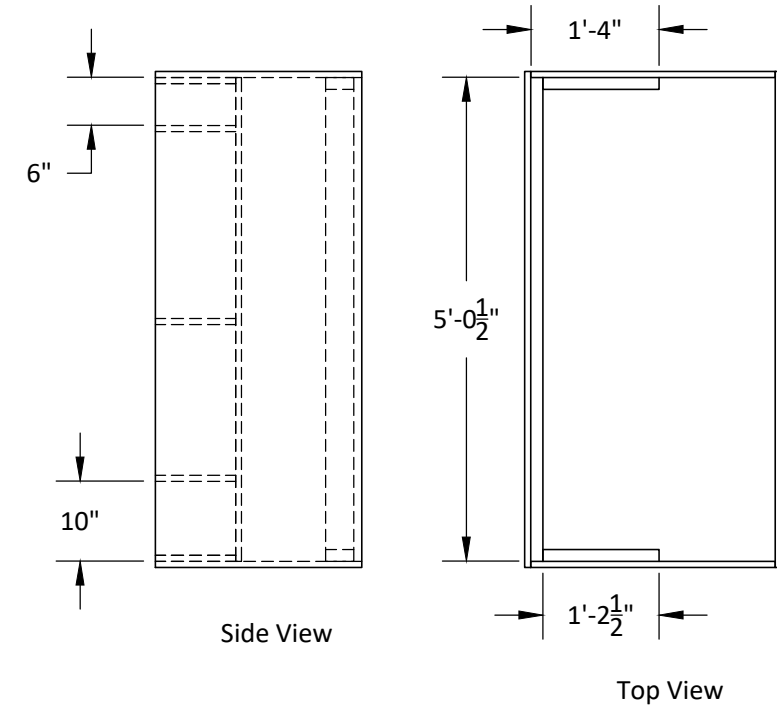
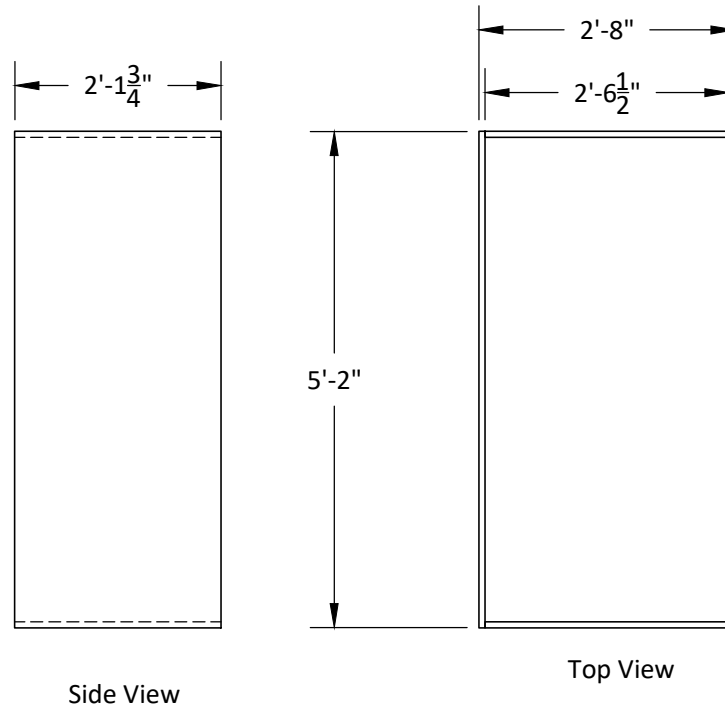
## Surround Base

Director: B.Glenn	Designer: S.Culpepper
Tech Director: Aaron Mayer	Drafted By: A.Mayer
DWG Date: 10/16/2017	REV Date: Scale: As Noted

DWG #:  
**D52**



1 Bath Tub Iso  
D53



2 Surround Sides- Scale:  $\frac{1}{2}$ "=1'-0"  
D53 Build 2 from  $\frac{3}{4}$ " Ply/OSB.  
Glue and MC Staple.

3 Surround Assembly- Scale:  $\frac{1}{2}$ "=1'-0"  
D53 Assemble sides and base as shown.  
Screw.  
Test fit tub and install 2x4 under lip.



# Dracula

## Surround Assembly

Director: B.Glenn

Designer: S.Culpepper

Tech Director: Aaron Mayer

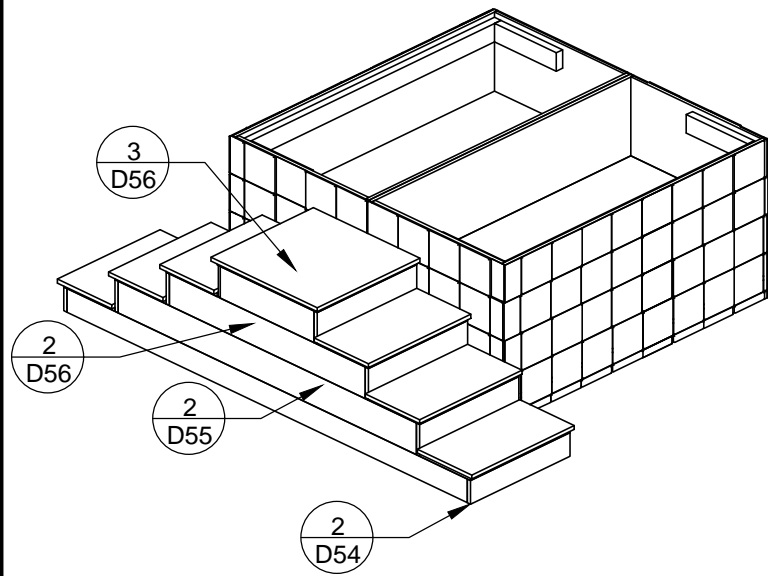
Drafted By: A.Mayer

DWG Date: 10/16/2017

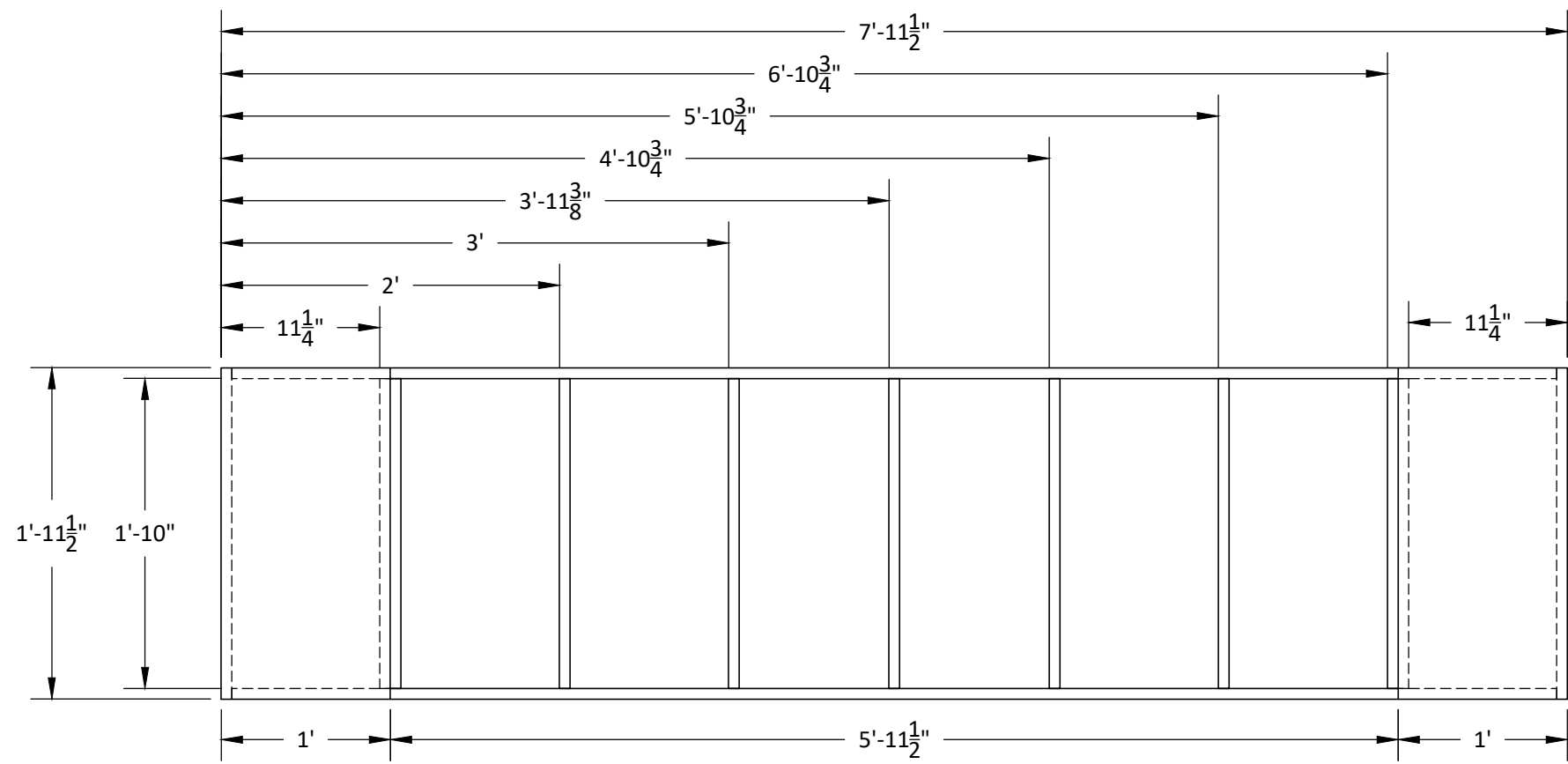
REV Date:

Scale: As Noted

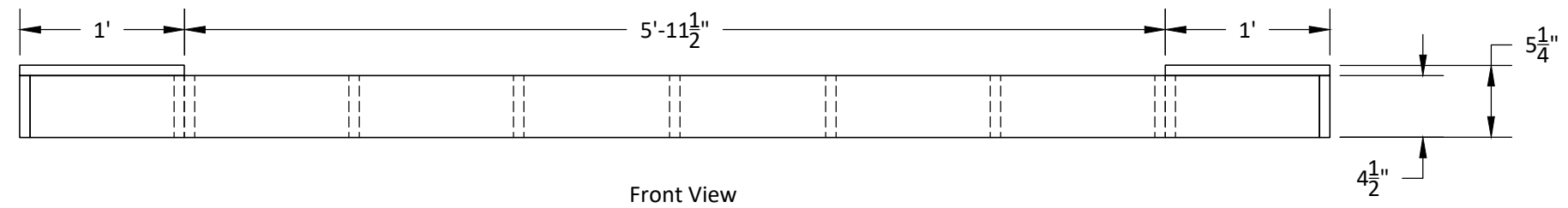
DWG #:  
**D53**



1 Bath Tub Iso  
D54



Top View



Front View

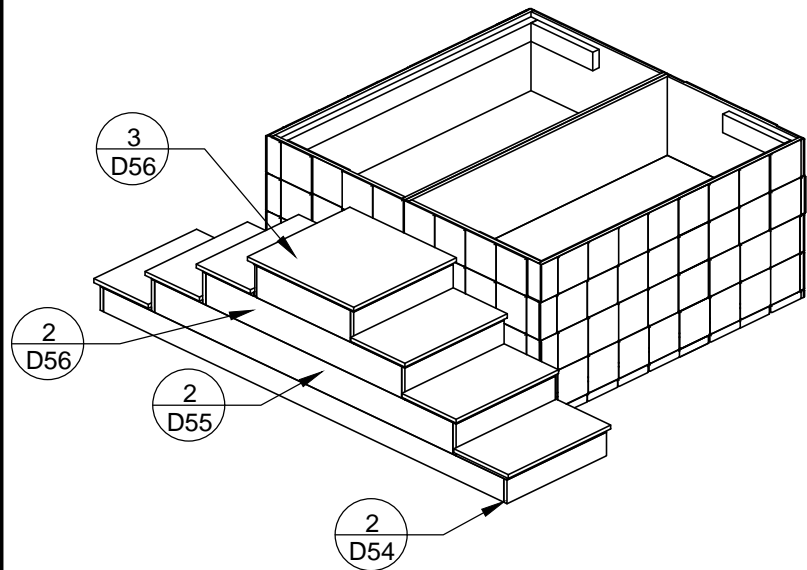
2 Step 1- Scale: 1"=1'-0"  
D54 Build 1 from 3/4" Ply/OSB.  
Glue and MC Staple.



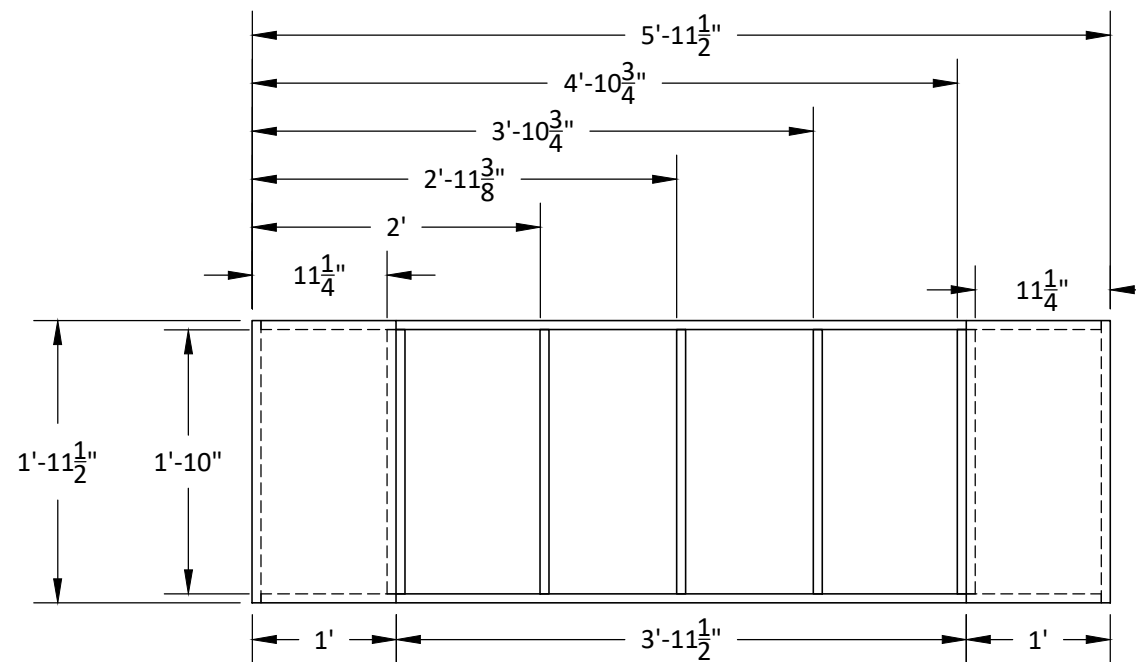
# Dracula

Step 1		
Director: B.Glenn	Designer: S.Culpepper	
Tech Director: Aaron Mayer	Drafted By: A.Mayer	
DWG Date: 10/16/2017	REV Date:	Scale: As Noted

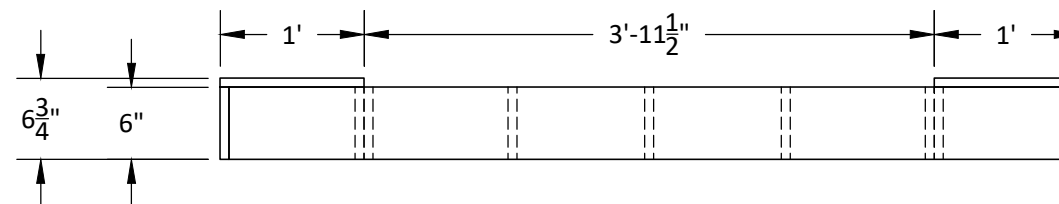
DWG #:  
**D54**



1 Bath Tub Iso  
D55



Top View



Front View

2 Step 2- Scale: 1"=1'-0"  
D55 Build 1 from  $\frac{3}{4}$ " Ply/OSB.  
Glue and MC Staple.



# Dracula

## Step 2

Director: B.Glenn

Designer: S.Culpepper

Tech Director: Aaron Mayer

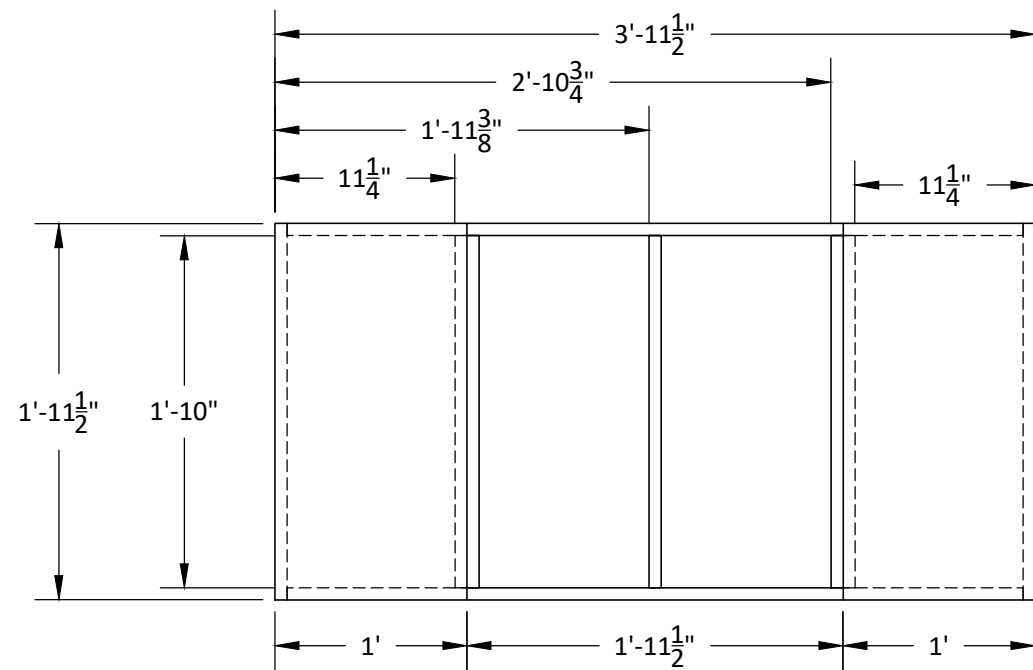
Drafted By: A.Mayer

DWG Date: 10/16/2017

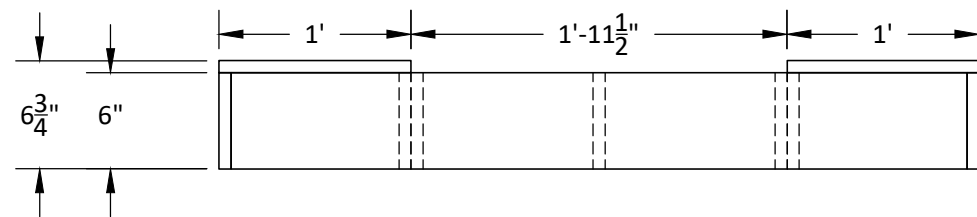
REV Date:

Scale: As Noted

DWG #:  
**D55**

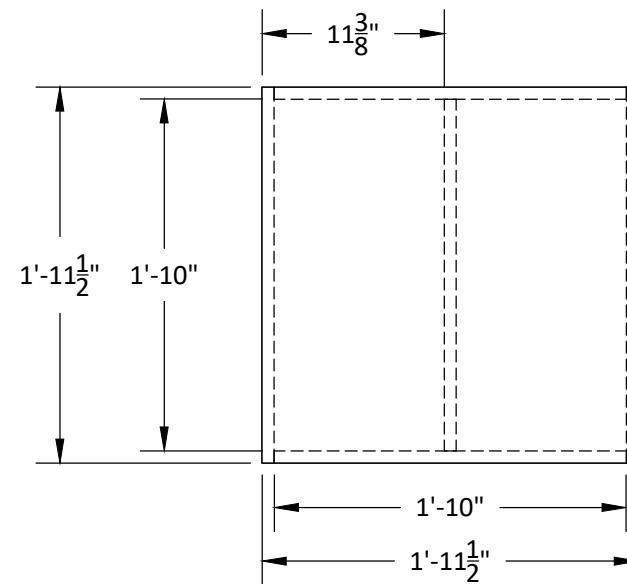


Top View

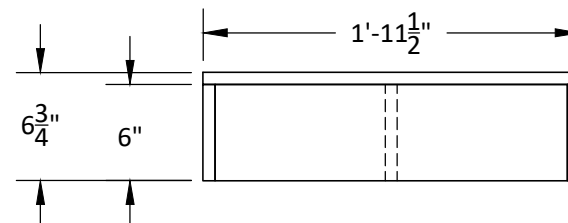


Front View

2  
D56 Step 3- Scale: 1"=1'-0"  
Build 1 from 3/4" Ply/OSB.  
Glue and MC Staple.

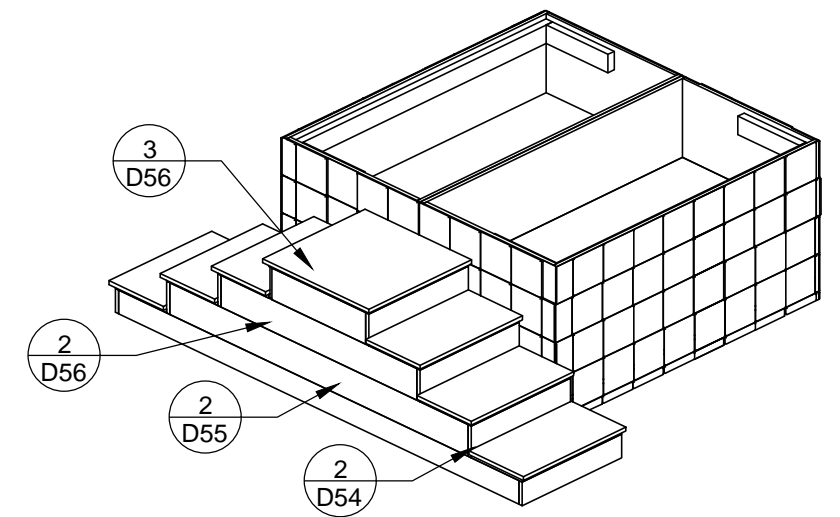


Top View



Front View

3  
D56 Step 4- Scale: 1"=1'-0"  
Build 1 from 3/4" Ply/OSB.  
Glue and MC Staple.



1 Bath Tub Iso  
D56



# Dracula

## Step 3 and 4

Director: B.Glenn

Designer: S.Culpepper

Tech Director: Aaron Mayer

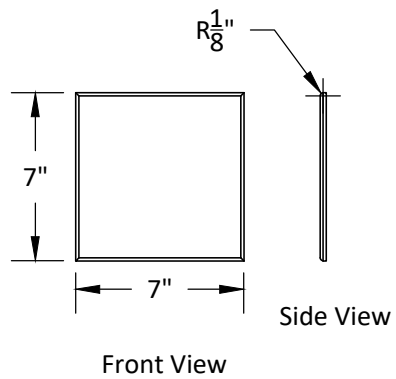
Drafted By: A.Mayer

DWG Date: 10/16/2017

REV Date:

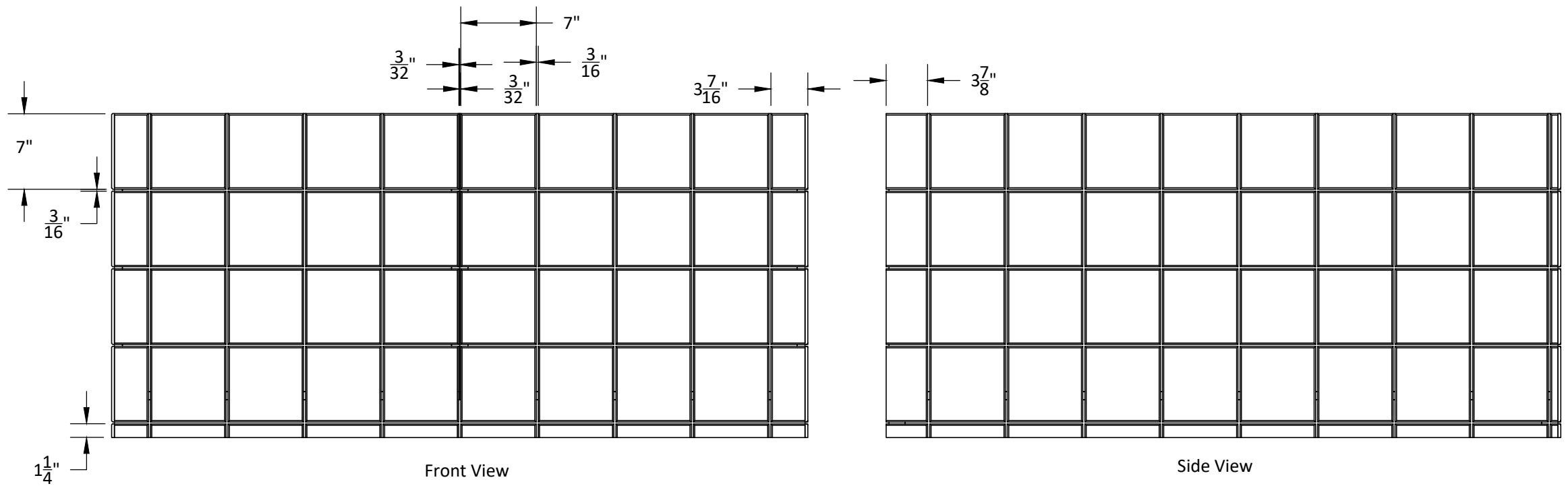
Scale: As Noted

DWG #:  
**D56**

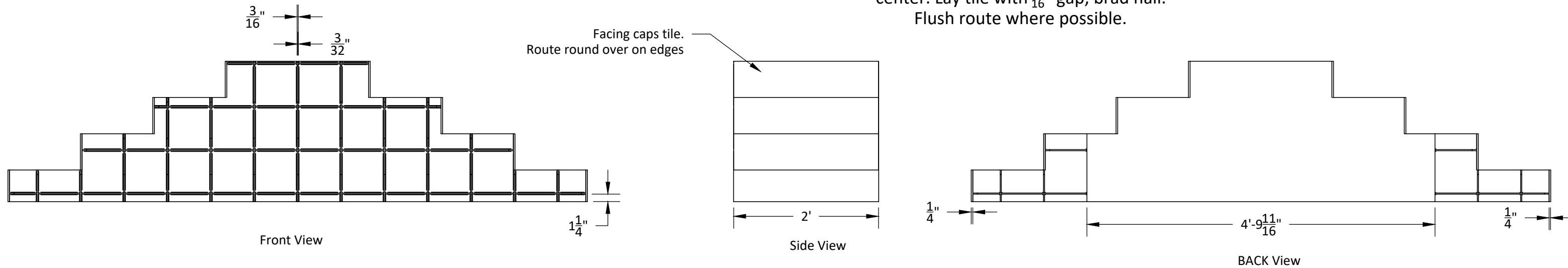


1 Tub Tile- Scale: 1"=1'-0"

D57 Build 270 from 1/4" Maso.  
Route 1/8" roundover on all for sides on face.



2 Tub Tile- Scale: 1"=1'-0"  
D57 Start by centering a grout line at front center. Lay tile with 3/16" gap, brad nail. Flush route where possible.



3 Step Tile- Scale: 1"=1'-0"  
D57 Start by centering a grout line at front center. Lay tile with 3/16" gap, brad nail. Flush route where possible. Face ends, round over. Start back with large piece then lay in tile.



# Dracula

## Tile

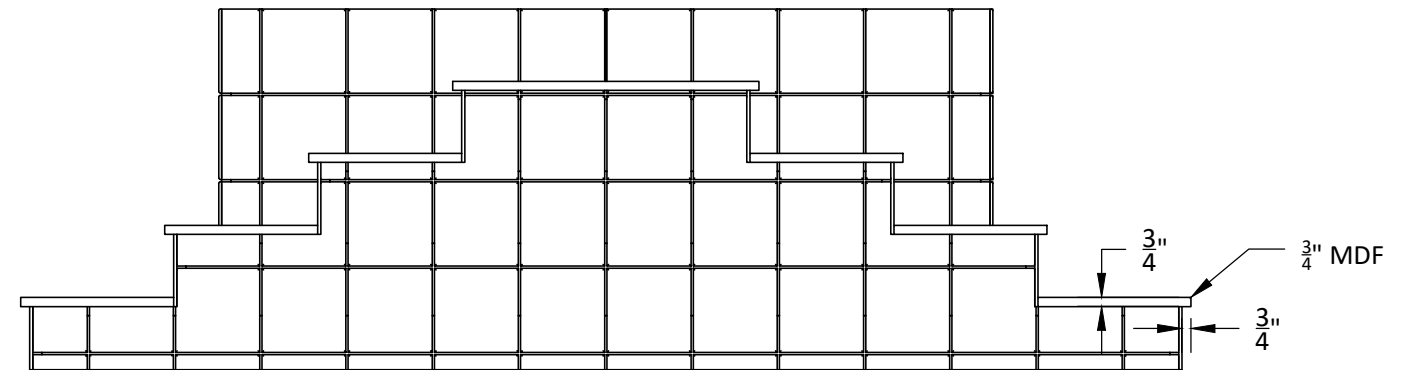
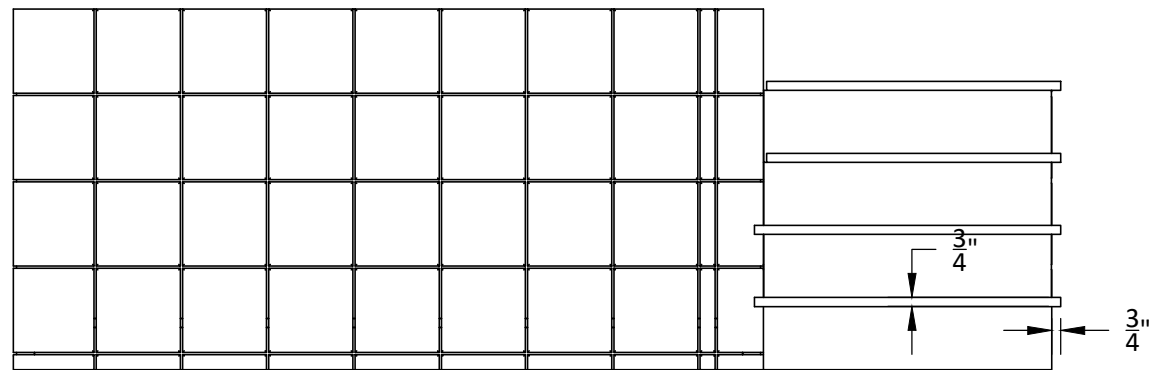
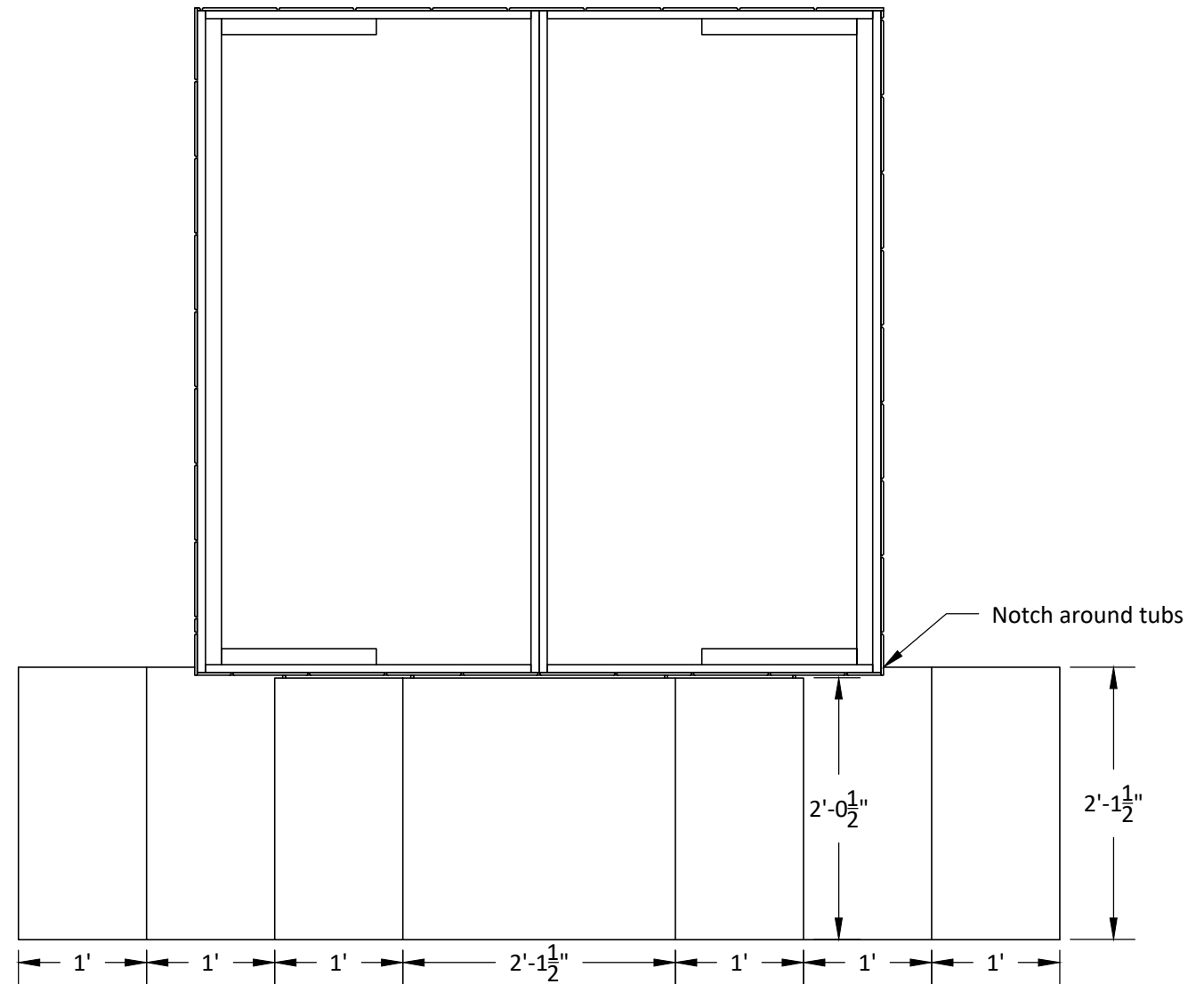
Director: B.Glenn	Designer: S.Culpepper
Tech Director: Aaron Mayer	Drafted By: A.Mayer
DWG Date: 10/16/2017	REV Date: Scale: As Noted

DWG #:  
**D57**



1  
D58

Assembly- Scale:  $\frac{3}{4}''=1'-0''$   
Screw units together on floor,  
Add  $\frac{3}{4}''$  MDF top steps with finish nails.



# Dracula

## Assembly

Director: B.Glenn

Designer: S.Culpepper

Tech Director: Aaron Mayer

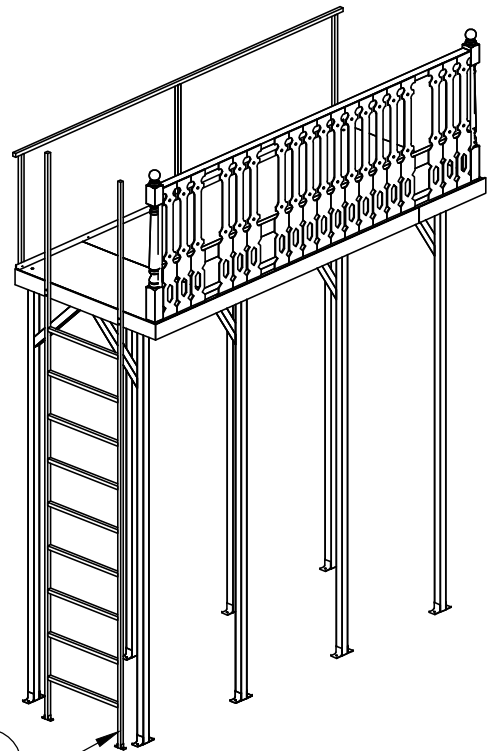
Drafted By: A.Mayer

DWG Date: 10/16/2017

REV Date:

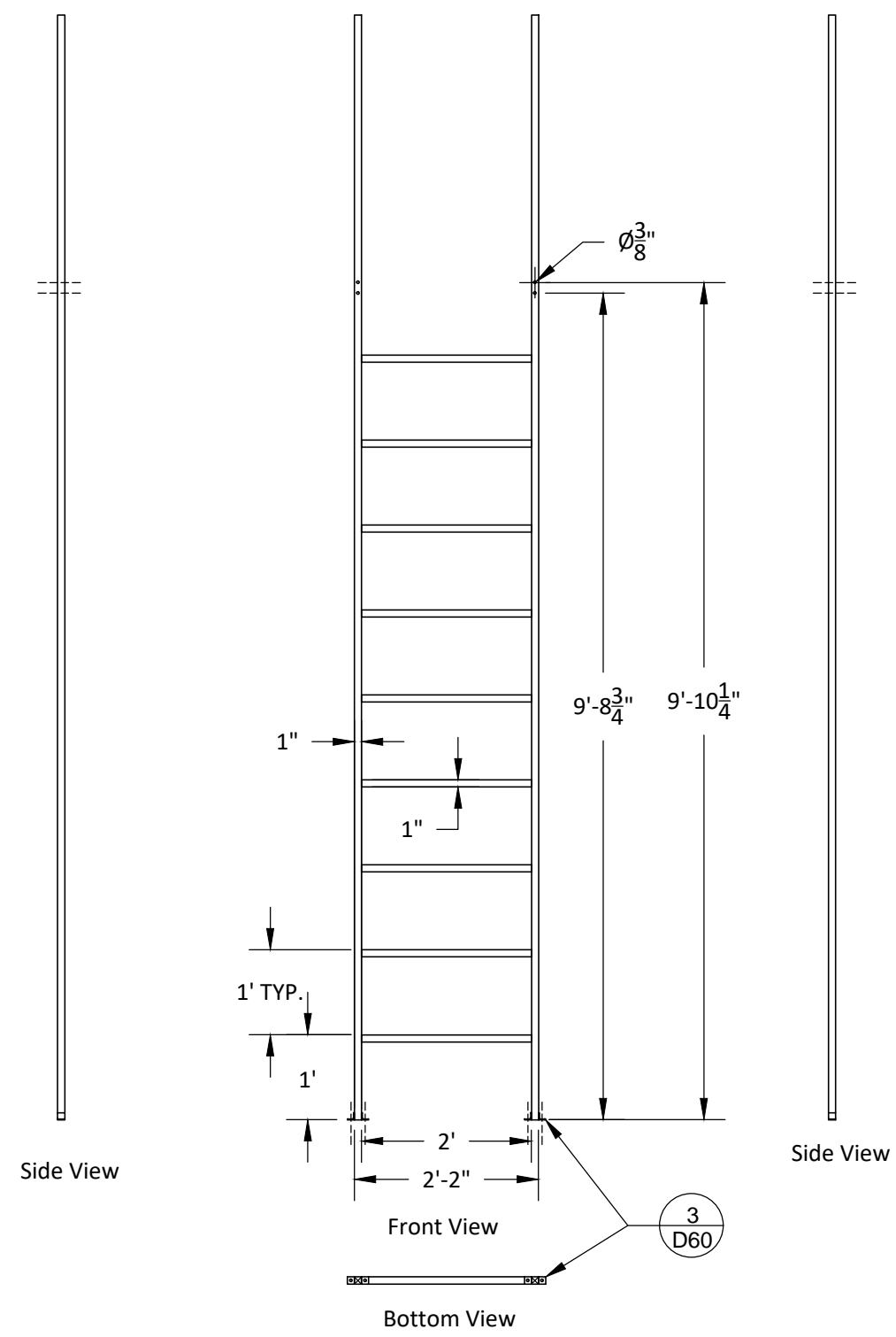
Scale: As Noted

DWG #:  
**D58**



2  
D60

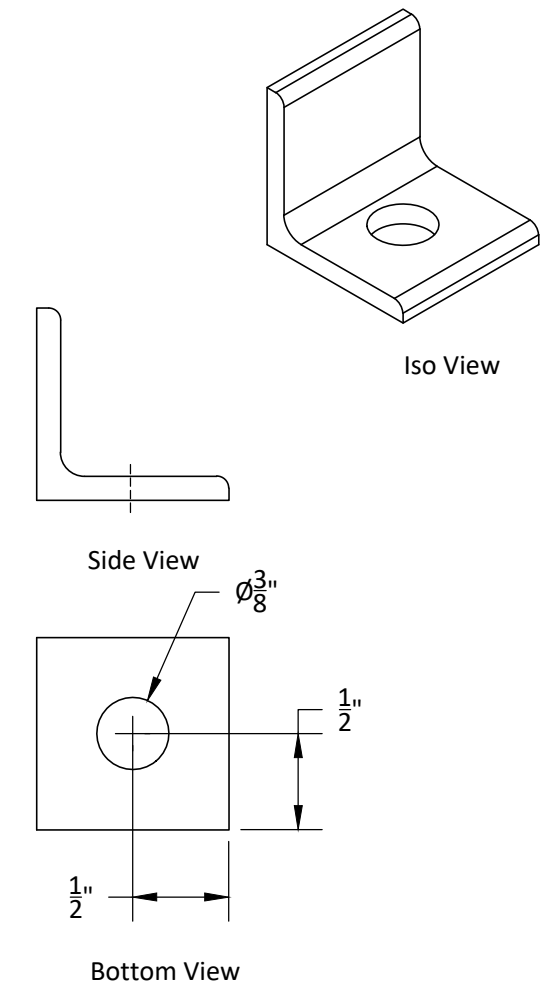
1 Stage Right 120" Platform Iso  
D60



Side View

Side View

2 SR Ladder- Scale:  $\frac{1}{2}"=1'-0"$   
D60 Build 1 from 1x1 box tube.  
Drill holes. Weld Fillets  
Add feet.



Iso View

Side View

Bottom View

3 SR Ladder- Scale:  $\frac{1}{2}"=1'-0"$   
D60 Build 4 from 1x1 Angle Iron.  
Drill holes

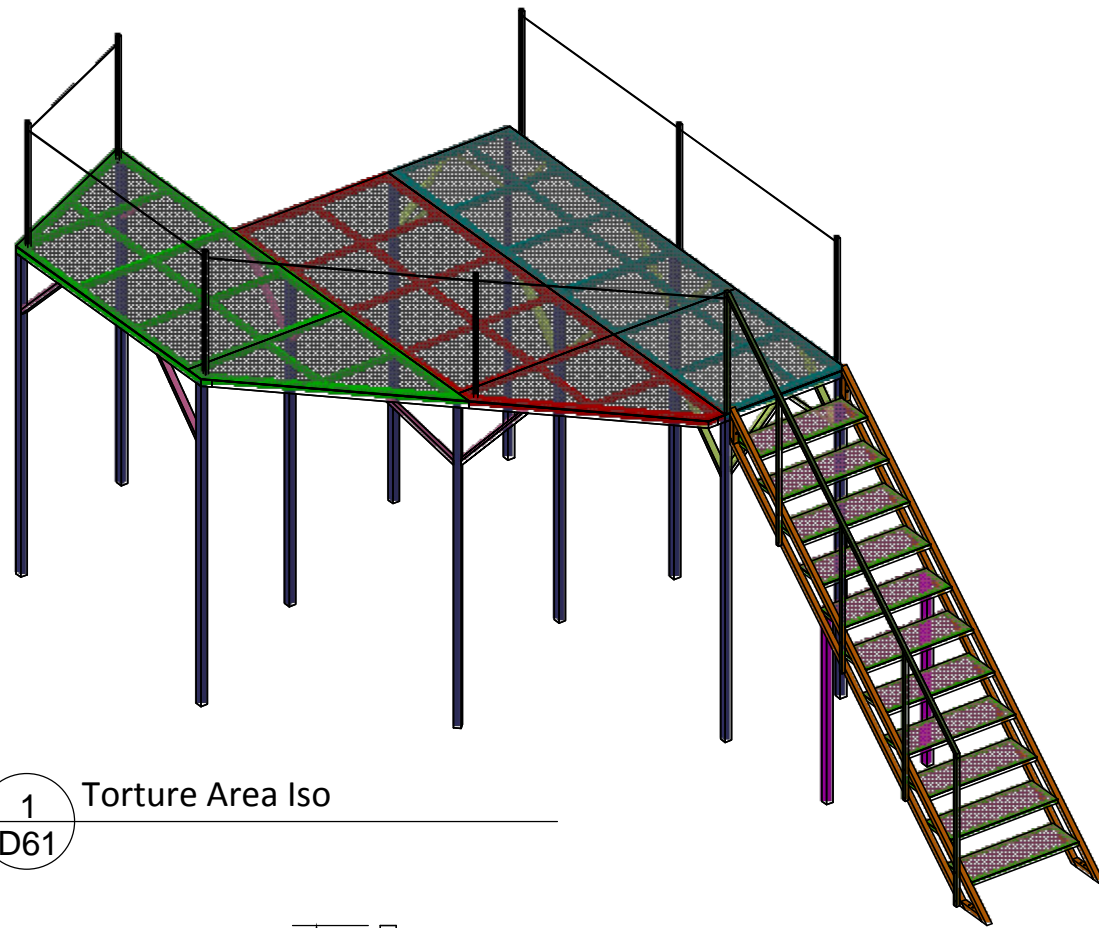


# Dracula

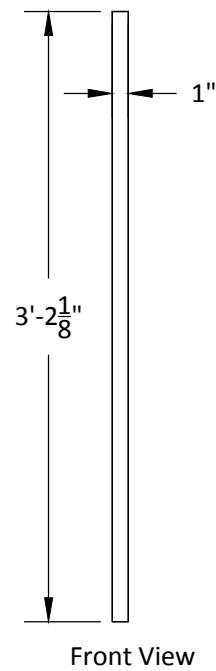
## Stage Right Ladder

Director: B.Glenn	Designer: S.Culpepper
Tech Director: Aaron Mayer	Drafted By: A.Mayer
DWG Date: 10/16/2017	REV Date: Scale: As Noted

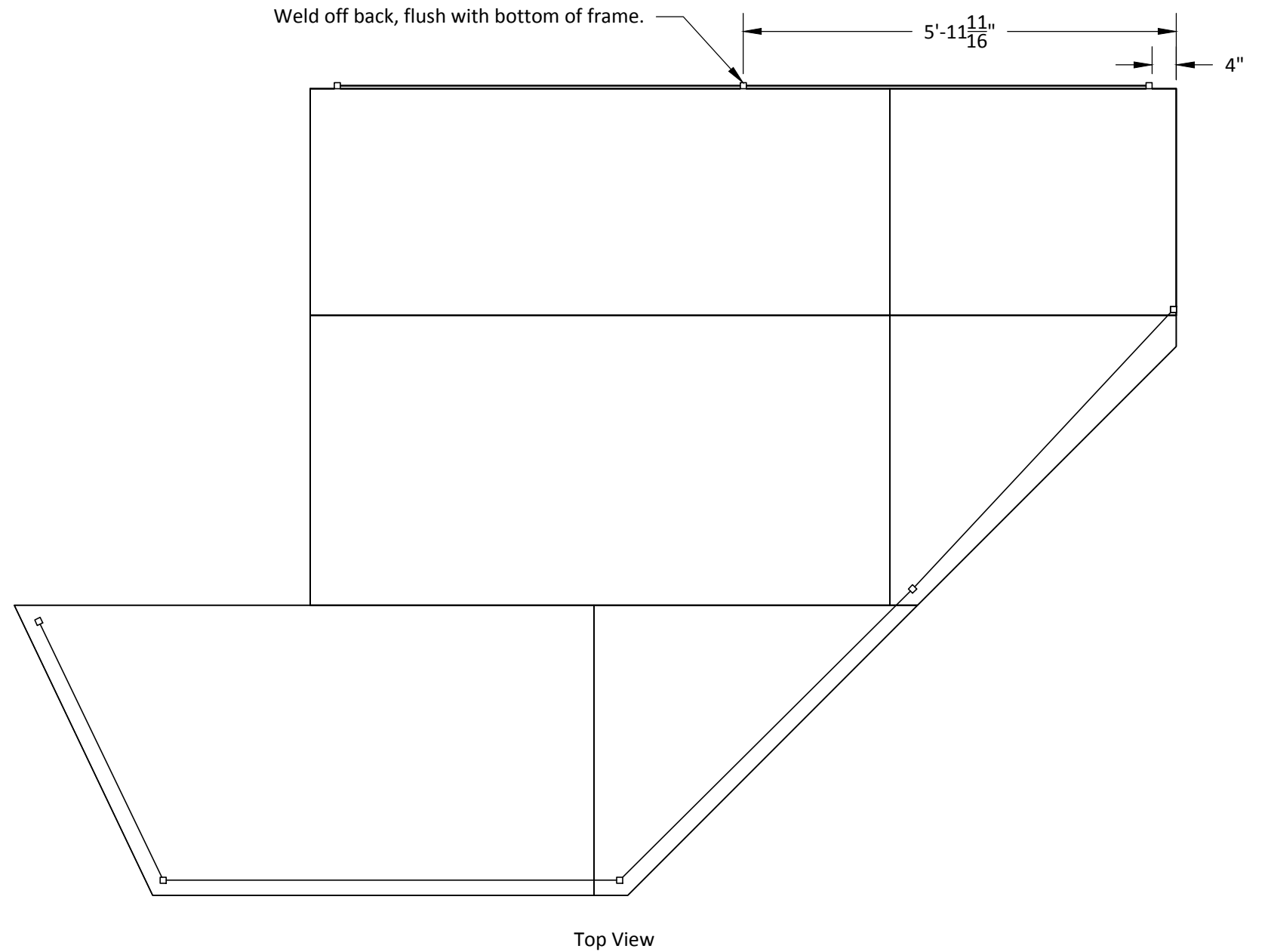
DWG #:  
**D60**



1 Torture Area Iso  
D61



2 Typical Upright- Scale: 1"=1'-0"  
D61 Build 7 from 1x1 box tube.



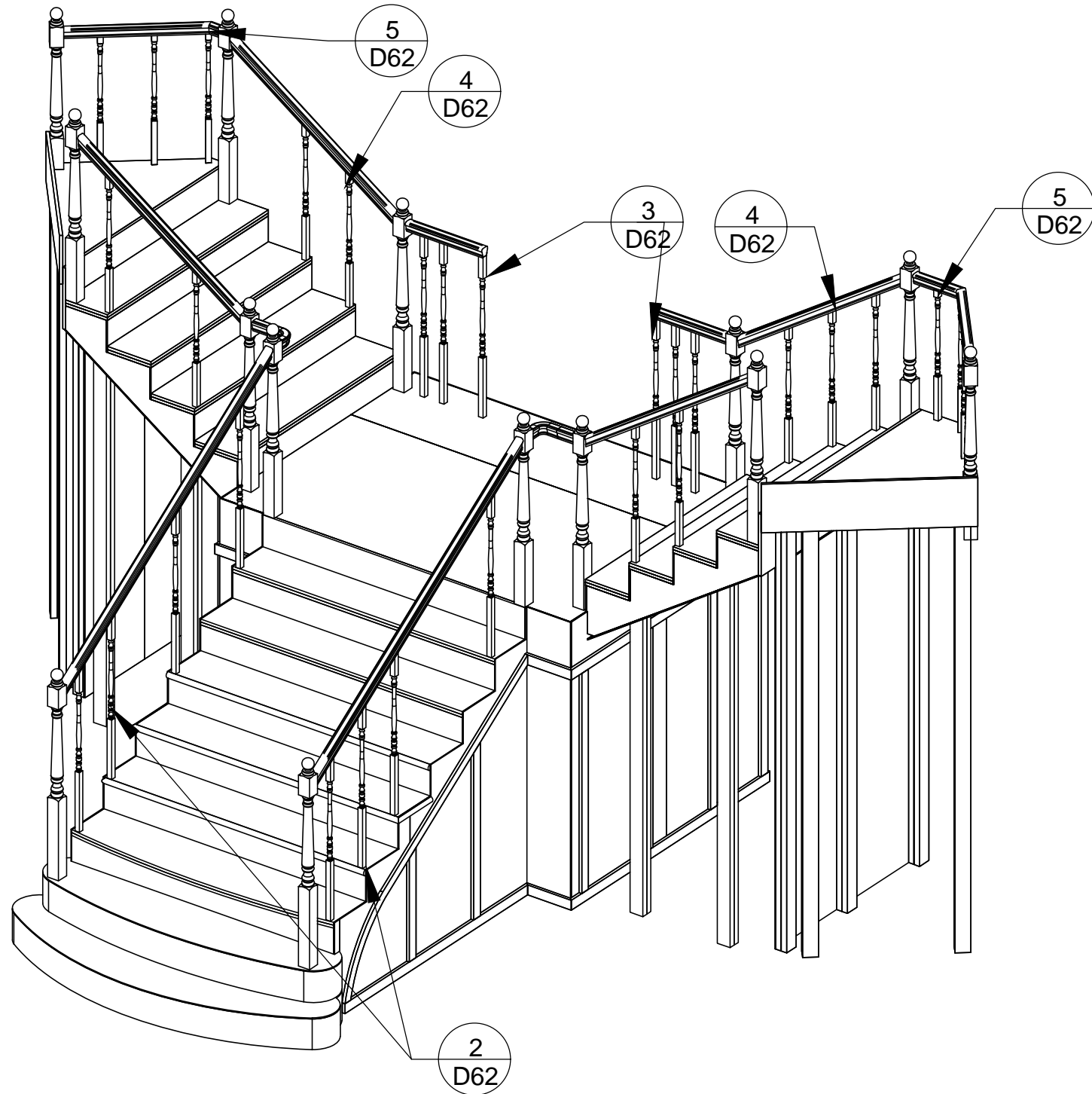
3 Handrail Install- Scale: 1/2"=1'-0"  
D61 Cut holes in mesh, weld uprights to platform frame.  
Weld chain line at intersections, install chain between with dog clips on each end.



# Dracula

<b>Toture Handrail Install</b>		
Director: B.Glenn	Designer: S.Culpepper	
Tech Director: Aaron Mayer	Drafted By: A.Mayer	
DWG Date: 10/16/2017	REV Date:	Scale: As Noted

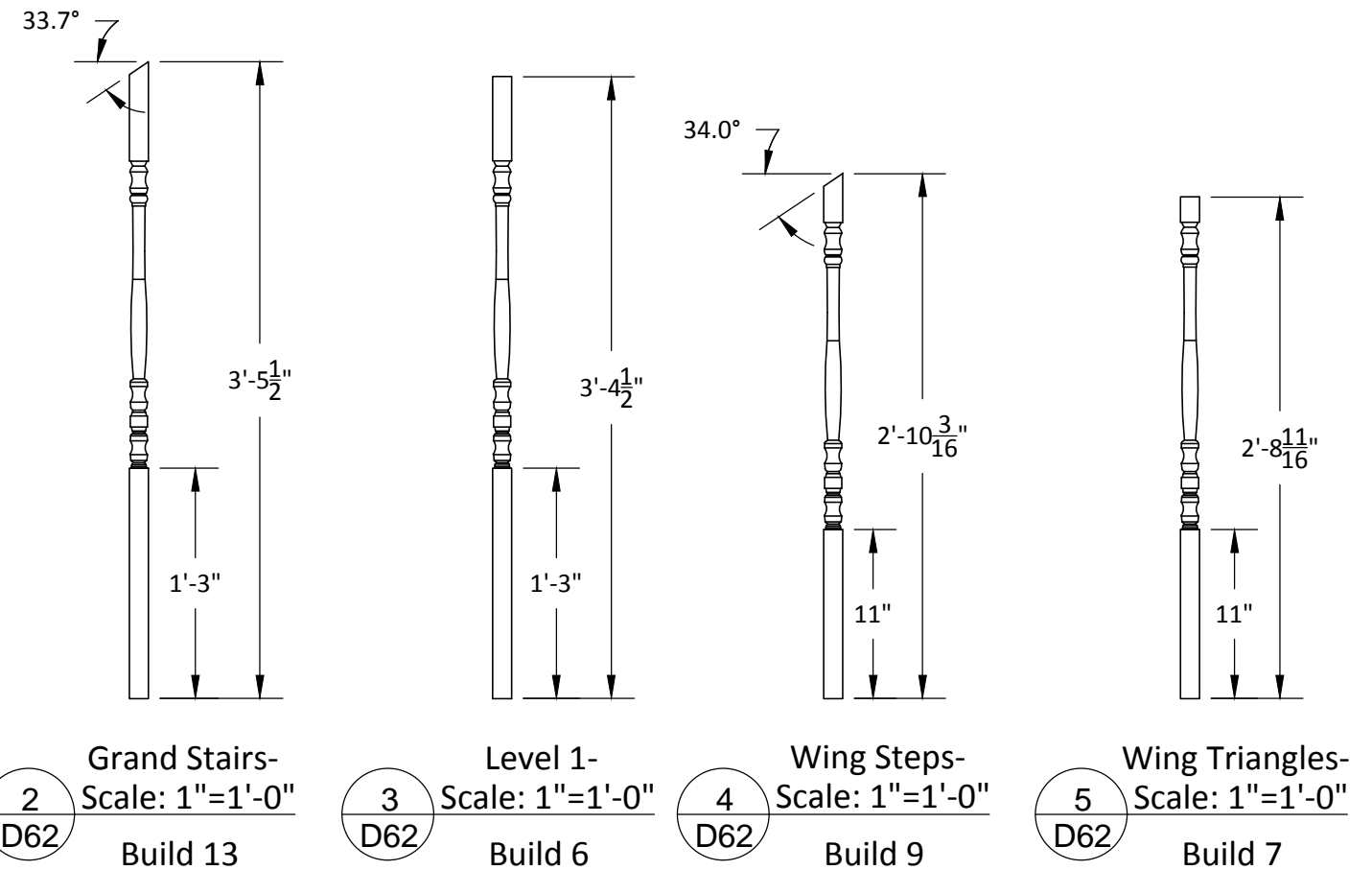
DWG #:  
**D61**



- 42" Balusters have 1'-3" Base
- 38" Balusters have 11" Base

1. CUT BALUSTERS TO STANDARD LENGTH FIRST.
2. THEN cut to size, measure set.
3. All are centered on handrail and flushed to nose of step.
4. Install with brads at top and pegs at bottom.

ALL OF THESE MEASUREMENTS ARE APPROXIMANT, CONFIRM WITH SET BEFORE CUTTING



# Dracula

## Baluster Install

Director: B.Glenn

Designer: S.Culpepper

Tech Director: Aaron Mayer

Drafted By: A.Mayer

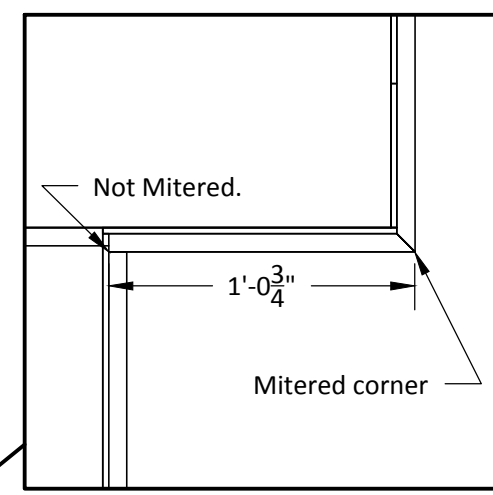
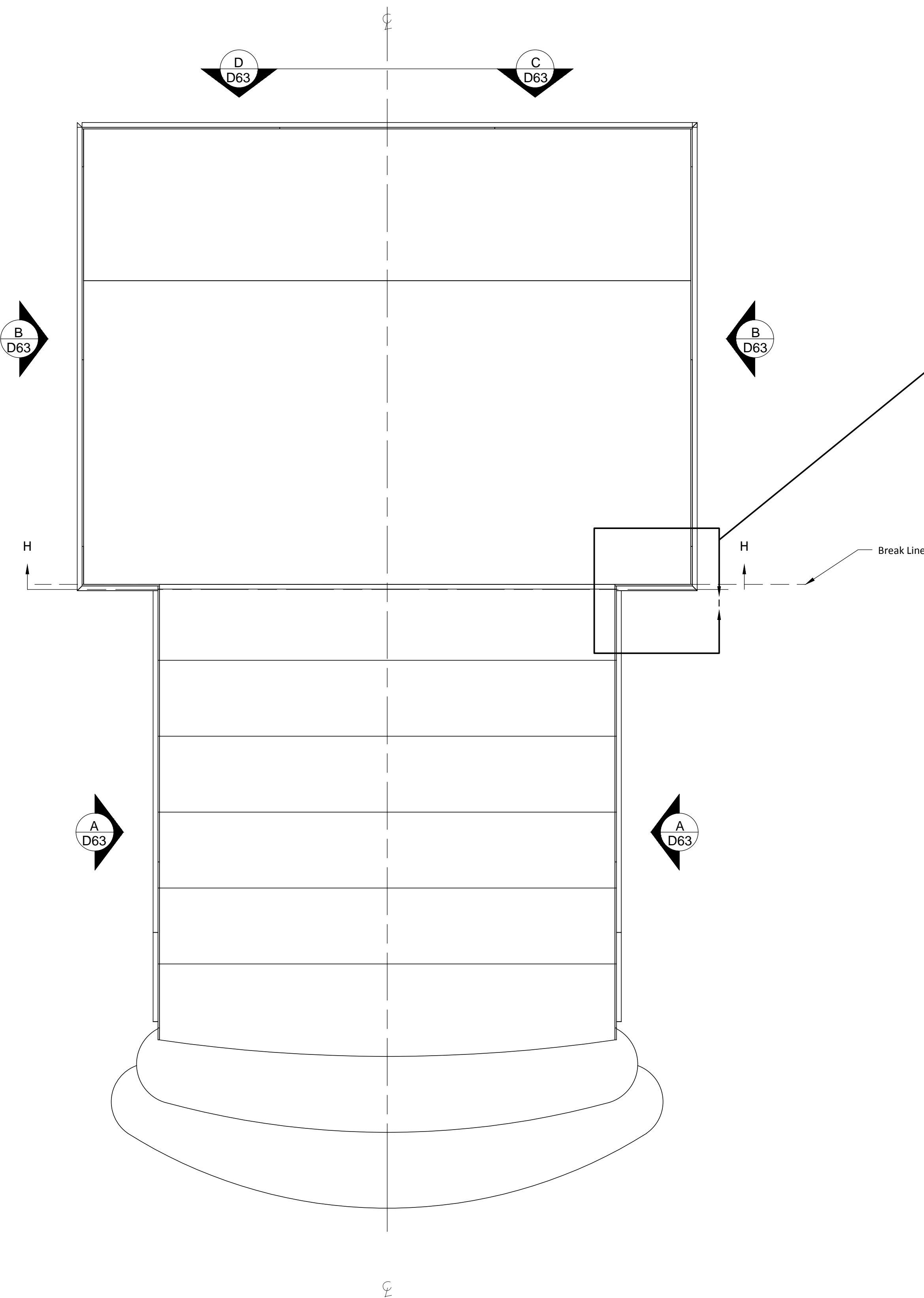
DWG Date: 10/16/2017

REV Date:

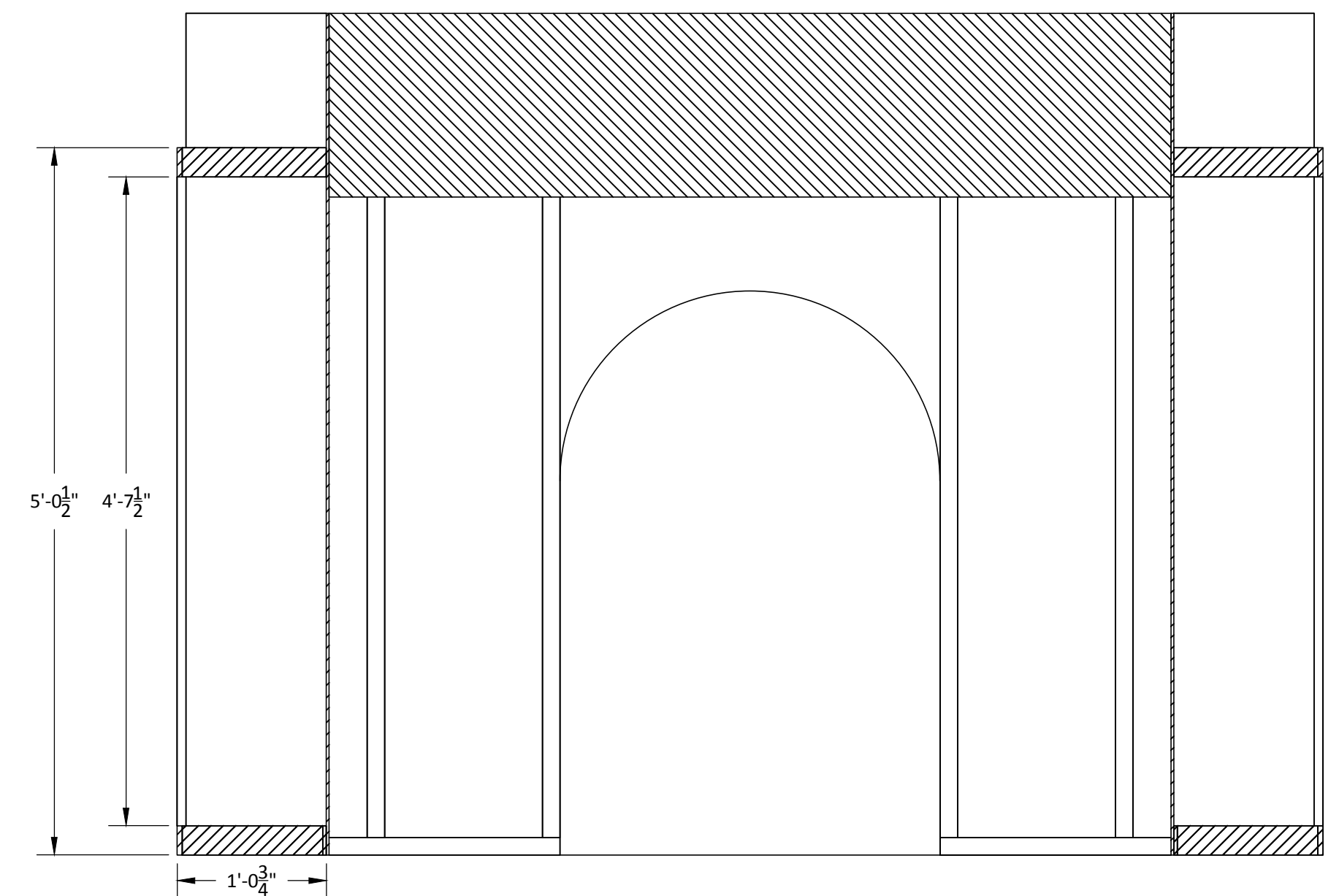
Scale: As Noted

DWG #:

**D62**

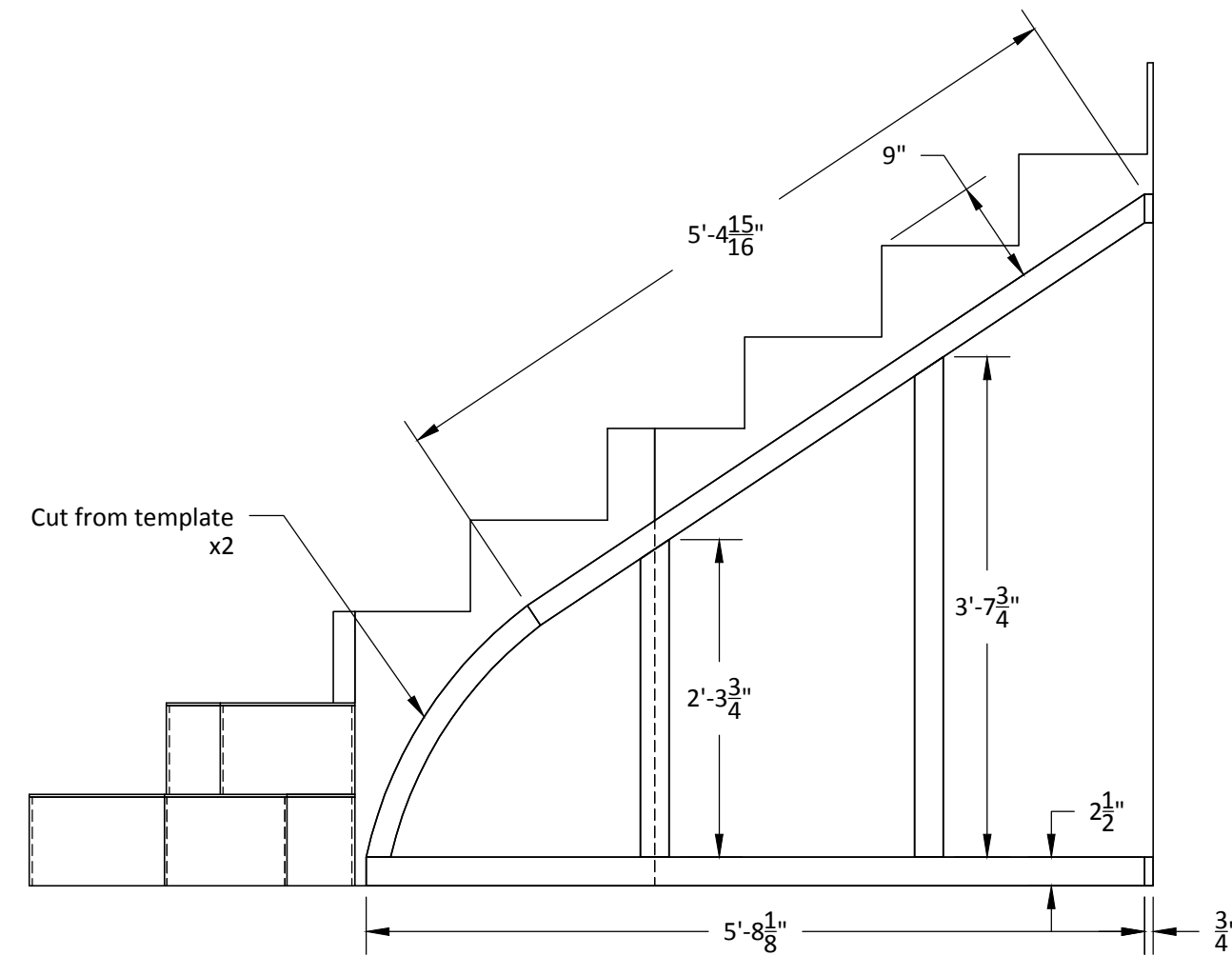


DETAIL I  
SCALE 1-1/2" = 1'-0"

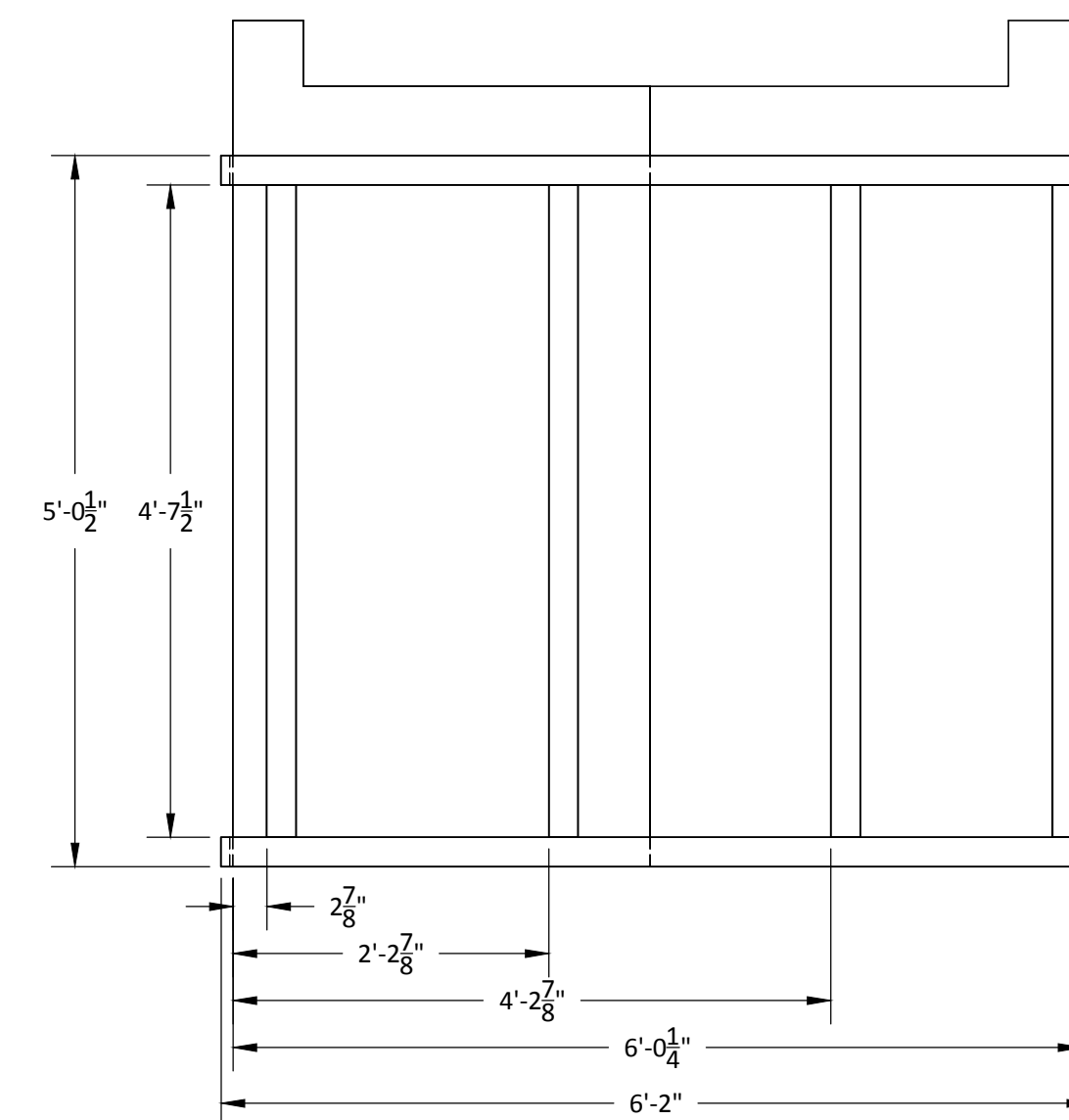


SECTION H-H  
SCALE 1" = 1'-0"

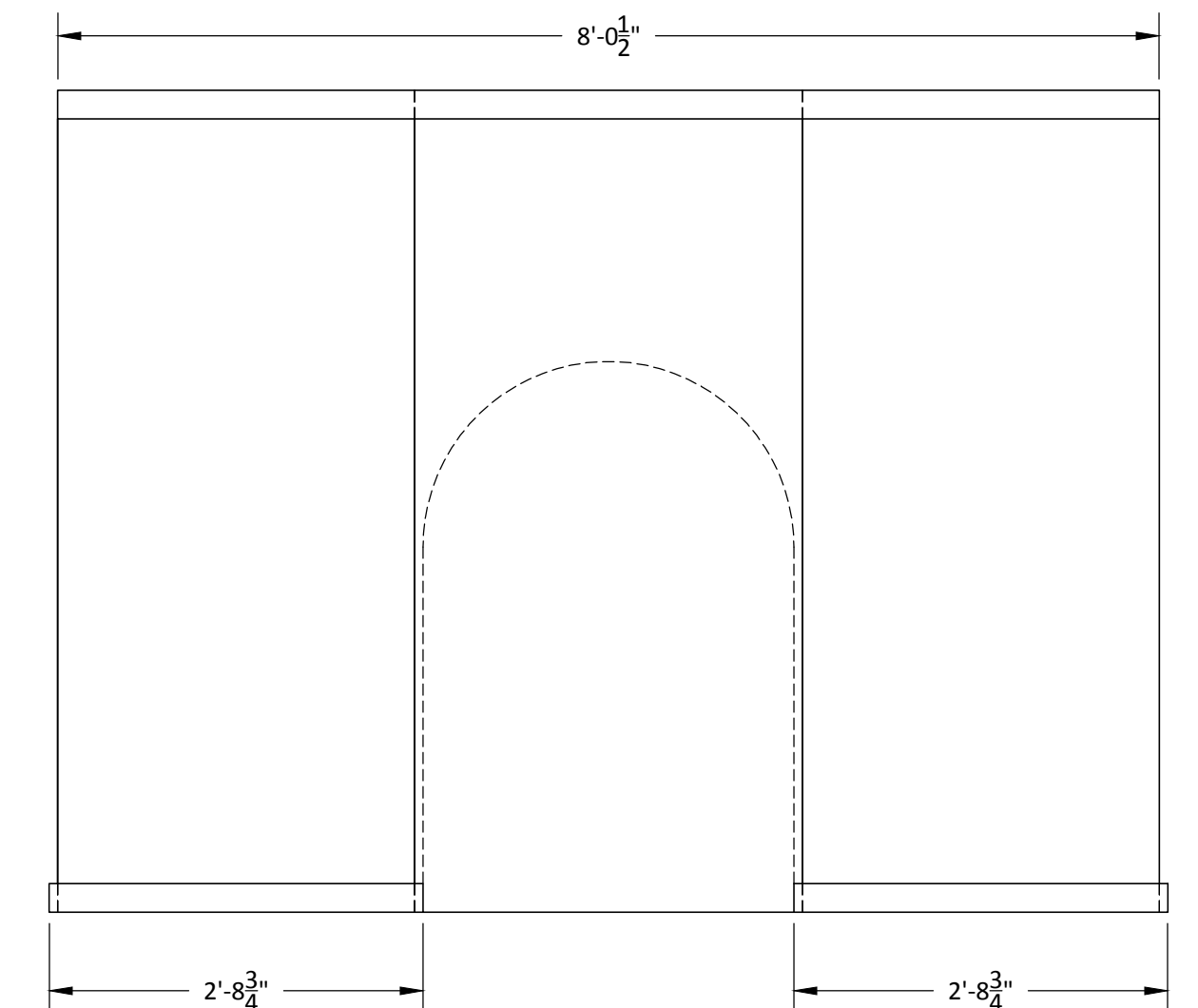
**MEASUREMENTS ARE FOR REFERENCE ONLY.  
DOUBLE CHECK EVERYTHING WITH THE SET FOR ACCURACY.**



**A**  
Elevation- Scale: 3/4" = 1'-0"  
Trim with BC Plywood, secure with brads.  
DOUBLE CHECK MEASUREMENT!



**B**  
Elevation- Scale: 3/4" = 1'-0"  
Trim with BC Plywood, secure with brads.  
DOUBLE CHECK MEASUREMENT!



**C**  
Elevation- Scale: 3/4" = 1'-0"  
Trim with BC Plywood, secure with brads.  
DOUBLE CHECK MEASUREMENT!

**1**  
Trim Ground Plan- Scale: 1" = 1'-0"  
Trim Unit with BC Plywood.  
Secure with Brad Nails.



# Dracula

## Level 1 & Grand Stairs Trim

Director: B.Glenn

Designer: S.Culpepper

Tech Director: Aaron Mayer

Drafted By: A.Mayer

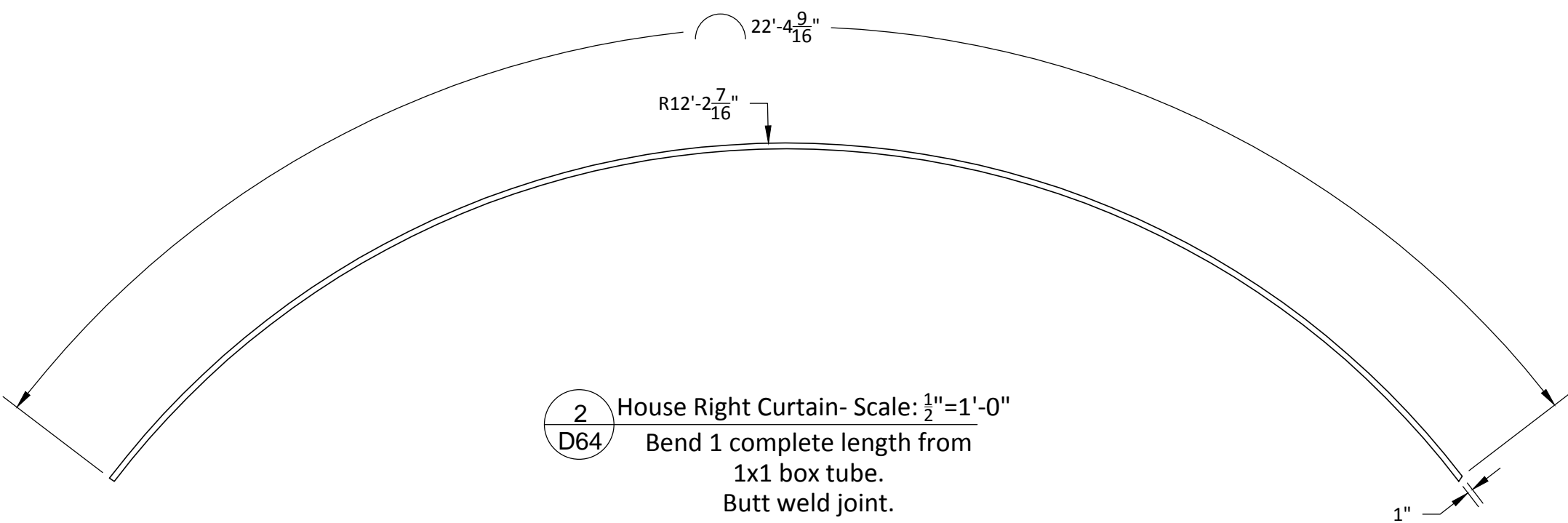
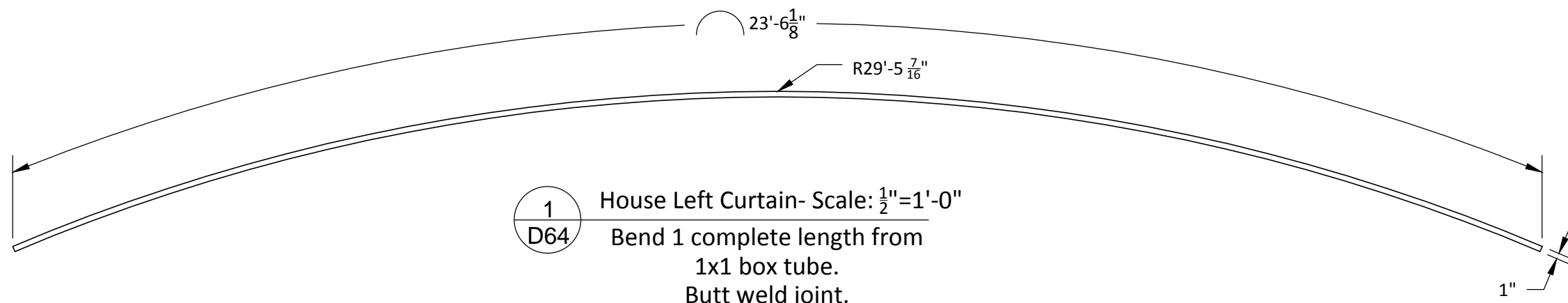
DWG Date: 10/17/2017

REV Date:

Scale: As Noted

DWG #:

**D63**

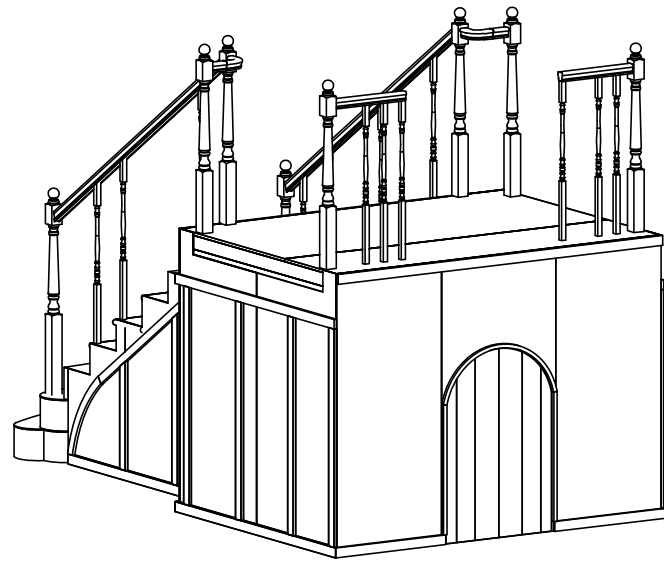


# Dracula

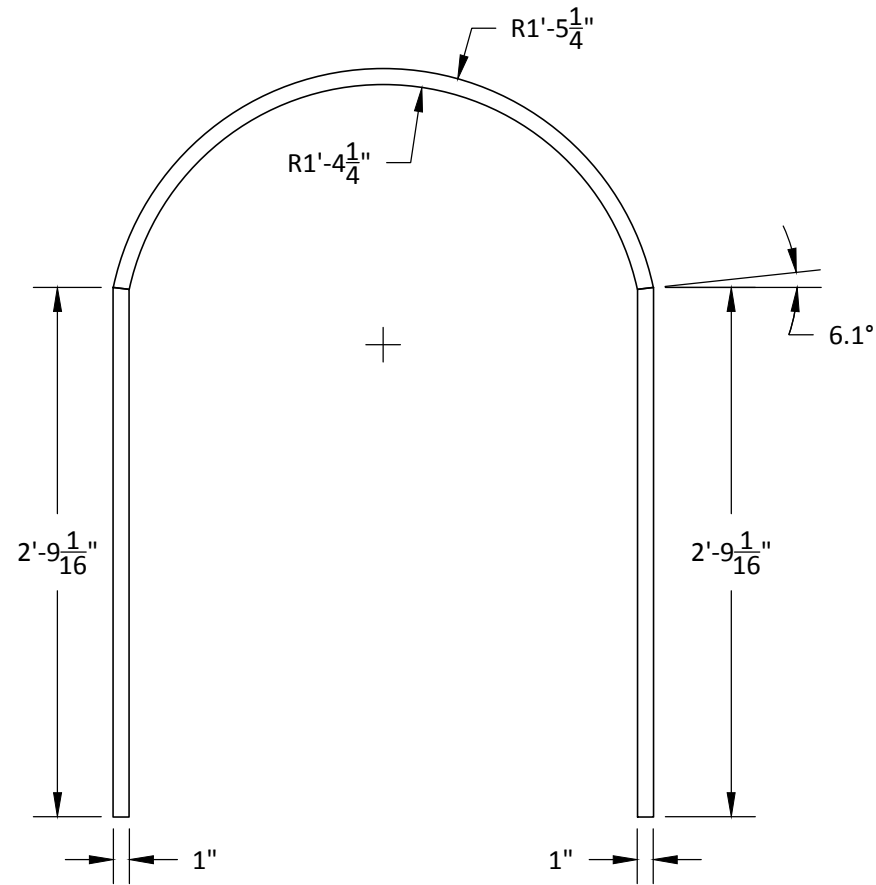
## Curtain Steel

Director: B.Glenn	Designer: S.Culpepper
Tech Director: Aaron Mayer	Drafted By: A.Mayer
DWG Date: 10/18/2017	REV Date: Scale: As Noted

DWG #:  
**D64**



1 Set Iso  
D65



2 Hobbit Door Trim- Scale: 1"=1'-0"  
D65 Build 1 from  $\frac{3}{4}$ " BC Plywood.  
Paint First then install with  
finish nails. Cut to fit on top of  
basboard trim.

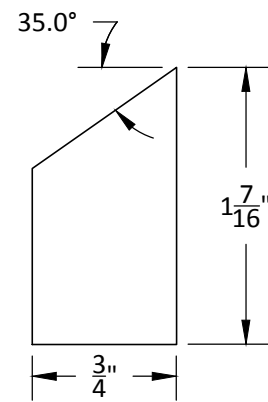


# Dracula

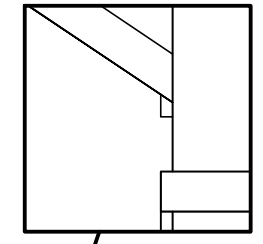
## Hobbit Door Trim

Director: B.Glenn	Designer: S.Culpepper
Tech Director: Aaron Mayer	Drafted By: A.Mayer
DWG Date: 10/20/2017	REV Date: Scale: As Noted

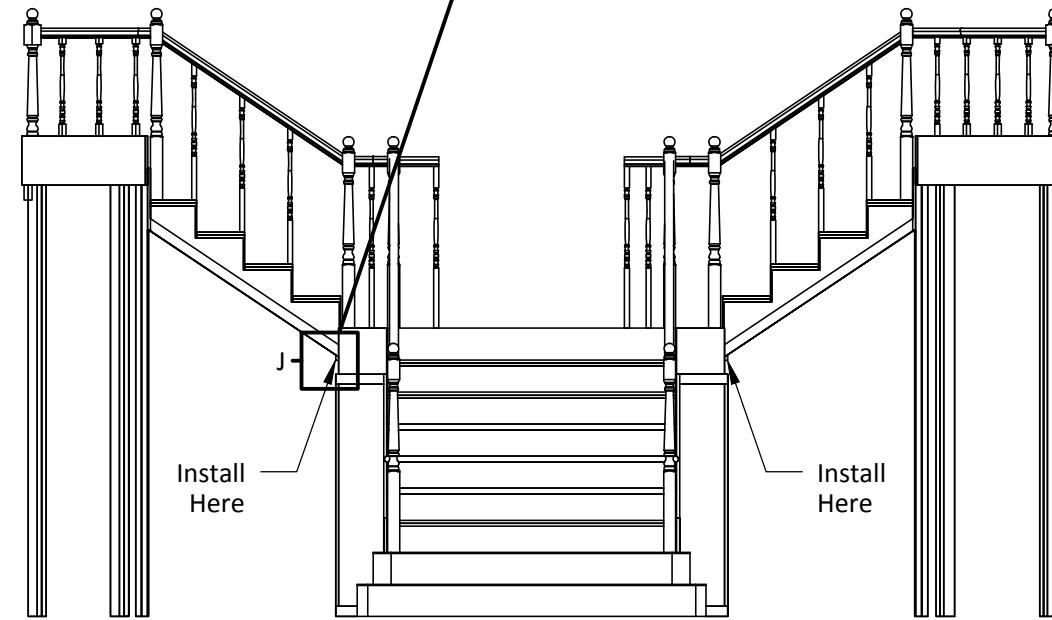
DWG #:  
**D65**



- 1 Trim Profile- Scale: Full Scale  
 D66 Build 2 from  $\frac{3}{4}$ " BC Plywood.  
 Cut 8' scraps, then cut to fit set.  
 Paint First, Install with finish nails.



DETAIL J  
 SCALE 1" = 1'-0"



- 2 Installation- Scale:  $\frac{1}{4}$ "=1'-0"  
 D66 Install with finish nails in place.



# Dracula

## Wing Stair Trim

Director: B.Glenn

Designer: S.Culpepper

Tech Director: Aaron Mayer

Drafted By: A.Mayer

DWG Date: 10/20/2017 REV Date:

Scale: As Noted

DWG #:  
**D66**



