

Model DL Series—High Flow Multi-Cartridge Filter Housings



Model DL Series High Flow Multi-Cartridge Filter Housings

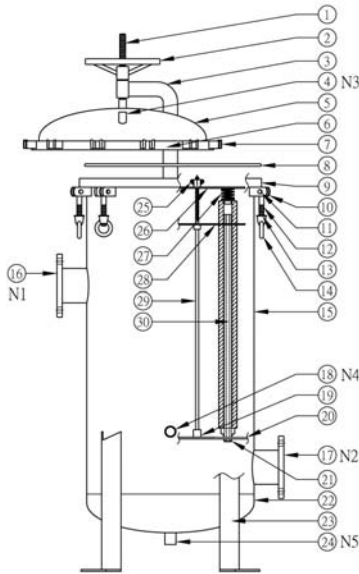
Large-volume, cost-effective filter housings suitable for pressure up to 150 psi and flow rate up to 3,460 gpm

Description

Product:	Model DL Series—High Flow Multi-Cartridge Filter Housings
Applications:	Large-Volume applications
Configuration:	Multiple cartridges (SOE & DOE)
Material of Construction:	Stainless steel construction (SS304, SS316, SS316L)
Inlet Outlet Connections:	1"-12" (NPT, ANSI 150 flange)
Flow Rate:	Up to 3,460 gpm
Max. Pressure:	150 psi
Temperature:	210 °F
Surface finish:	Electropolished
Closure Mechanism:	Davit arms, integrated hand wheels, and eyebolt fastened design
Seal type:	O-Ring (BUNA, EPDM, VITON, PTFE encapsulate VITON)
Cartridge Size:	10", 20", 30" and 40"
Leg Support:	Stainless steel (SS304)
Inlet outlet position:	Side or bottom outlet available
Customizations:	Other connection sizes and standards (JIS, DIN) are available
Recommended Spare Parts:	O-Rings, Nuts for Screw Rod, Cartridge Hold-down Plates, Cartridge Hold-down Rings, Partition Plates*, Cartridge Center Rods, Screw Rods (*Partition Plates are needed when the total number of cartridges is over 30 PCs)



Model DL Series—High Flow Multi-Cartridge Filter Housings



NO	Description	NO	Description
1	Top Screw Rod	16	Port Inlet
2	Wheel	17	Port Outlet
3	Davit Arm	18	Port Drain
4	Port Vent	19	Nut for Screw Rod
5	Top Cover	20	Cartridge Support Plate
6	Top Cover Flange	21	Cartridge Bowl
7	Eye Nut Socket	22	Bottom Cover
8	O-Ring	23	Leg Support
9	Shell Flange	24	Port Drain
10	Eye Bolt Socket	25	Nut for Screw Rod
11	Hinge	26	Cartridge Hold-down Plate
12	Eye Bolt	27	Cartridge Hold-down Rings
13	Spacer	28	Partition Plate
14	Eye Nut	29	Screw Rod
15	Shell	30	Cartridge Center Rod

How to order

Product Codes

DL-	A-	040-	30-	A-	150-	040-
	Material	No. of Cartridges	Cartridges Size	Connection Type	Pressure Rating	Connection Size
	A-SS304	008	30-30"	A-ANSI 150 Flange	150-150 psi	010-1"
	B-SS316	010	40-40"	N-NPT		025-2 1/2"
	C-SS316L	012			
					120-12"
		173				

Product Codes (Continued)

0600-	E -	D-	N
Flow Rate (gpm)	O-ring	Suspension	ASME Code
0120-120	B -BUNA	D-Davit Arm & Hand Wheel	N-No
0135-315	E -EPDM	S -Counter-balanced Spring	A-YES, No Stamps
0150-150	V -VITON	SQ-Counter-balanced Spring & Quick Lock	AU-YES, "U" Stamp
.....	P -PTFE W/VITON		
3460-3460			

Example: DL-A-040-30-A-150-040-0600-E-D-N

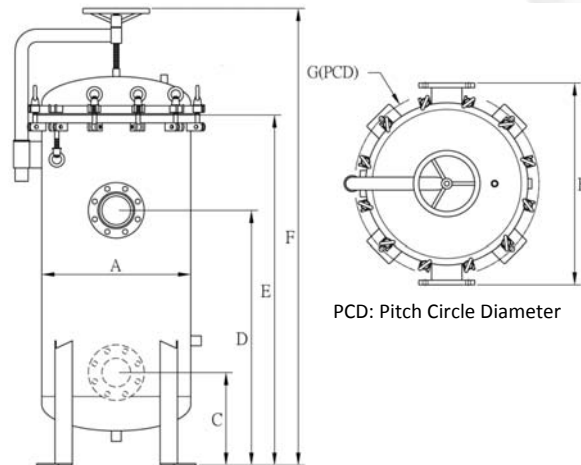
Accessory Codes & Spare Parts Codes

DL	S-	A-	10-	NR
	Spare Parts	Material	Cartridge Size	Type
		A-SS304	10-10"	NR-Nut for Screw Rod
		B-SS316	20-20"	CP -Cartridge Hold-down Plate
		C-SS316L	30-30"	CS -Cartridge Hold-down Ring
			40-40"	PP -Partition Plate
		B-BUNA		CR -Cartridge Center Rod
		E-EPDM		SR -Screw Rod
		V-VITON		
		P-PTFE W/VITON		OR-O-Ring

Example: DLS-A-10-NR

Model DL Series—High Flow Multi-Cartridge Filter Housings

Dimensions



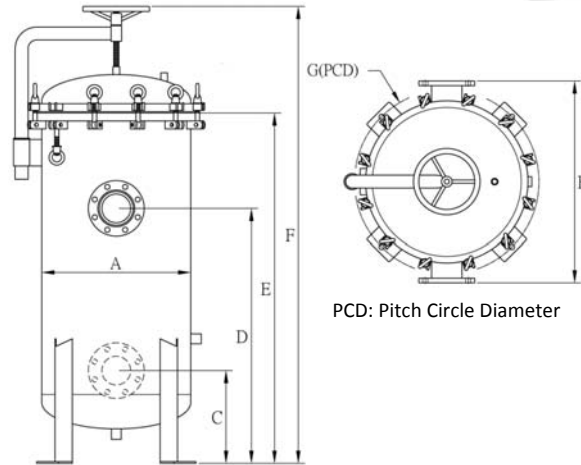
PCD: Pitch Circle Diameter

Inch
[mm]

No. of Cartridge NO	Cartridge Size Inch	Flow Rate GMP	Dimensions									Weight LBs	Volume Gal
			N1/N2	N4/N5	A	B	C	D	E	F	G		
8-12	30"	120-180	2"-4"	1"	11-3/4 [300]	19-1/2 [500]	13-3/4 [350]	27-1/2 [700]	51 [1320]	66 [1690]	16 [410]	170	23.5
	40"	160-240	2"-4"	1"	11-3/4 [300]	19-1/2 [500]	13-3/4 [350]	27-1/2 [700]	61 [1570]	76 [1940]	16 [410]	187	28.3
13-20	30"	200-300	2"-4"	1"	15-3/4 [406]	23-3/4 [606]	13-3/4 [350]	27-1/2 [700]	51 [1320]	66 [1700]	20-1/4 [516]	231	43.6
	40"	260-400	2"-4"	1"	15-3/4 [406]	23-3/4 [606]	13-3/4 [350]	27-1/2 [700]	61 [1570]	76 [1950]	20-1/4 [516]	276	50.0
21-28	30"	320-480	3"-4"	1"	19 [486]	27 [686]	13-3/4 [350]	27-1/2 [700]	51 [1320]	67 [1705]	23-1/4 [596]	265	63.1
	40"	420-560	3"-4"	1"	19 [486]	27 [686]	13-3/4 [350]	27-1/2 [700]	61 [1570]	76 [1955]	23-1/4 [596]	320	75.6
29-36	30"	440-540	3"-4"	1"	22 [560]	29-3/4 [760]	13-3/4 [350]	27-1/2 [700]	51 [1320]	68 [1730]	27-1/2 [704]	419	86.4
	40"	580-720	4"-6"	1"	22 [560]	29-3/4 [760]	15-1/2 [400]	31-1/4 [800]	64 [1630]	80 [2040]	27-1/2 [704]	496	103
37-46	30"	560-690	4"-6"	1"	23-1/2 [600]	31-1/4 [800]	15-1/2 [400]	31-1/4 [800]	54 [1380]	70 [1790]	29-1/4 [744]	441	106
	40"	740-920	4"-6"	1"	23-1/2 [600]	31-1/4 [800]	15-1/2 [400]	31-1/4 [800]	64 [1630]	80 [2050]	29-1/4 [744]	507	122
47-56	30"	710-840	4"-6"	1"	25-1/2 [650]	33-1/4 [850]	17-1/2 [450]	33-1/4 [850]	56 [1430]	74 [1885]	31-1/4 [800]	534	128
	40"	940-1120	4"-6"	1"	25-1/2 [650]	33-1/4 [850]	17-1/2 [450]	33-1/4 [850]	66 [1680]	84 [2135]	31-1/4 [800]	617	150

Model DL Series—High Flow Multi-Cartridge Filter Housings

Dimensions



PCD: Pitch Circle Diameter

Inch
[mm]

No. of Cartridge	Cartridge Size	Flow Rate	Dimensions									Weight	Volume
			N1/N2	N4/N5	A	B	C	D	E	F	G		
NO	Inch	GMP										LBs	Gal
57-81	30"	860-1220	4"-6"	1-1/2"	30 [762]	37-3/4 [962]	19-1/2 [500]	37-1/4 [950]	58 [1480]	83 [2130]	37-3/4 [960]	805	176
	40"	1140-1620	4"-6"	1-1/2"	30 [762]	37-3/4 [962]	19-1/2 [500]	37-1/4 [950]	68 [1730]	93 [2380]	37-3/4 [960]	899	212
82-95	30"	1230-1430	6"-8"	2"	35-1/4 [900]	43 [1100]	21-1/2 [550]	39 [1000]	64 [1630]	91 [2330]	43 [1100]	1515	275
	40"	1640-1900	6"-8"	2"	35-1/4 [900]	43 [1100]	21-1/2 [550]	39 [1000]	74 [1880]	101 [2580]	43 [1100]	1576	317
96-135	30"	1440-2030	8"-10"	2"	39 [1000]	47 [1200]	23-1/2 [600]	43 [1100]	67 [1710]	95 [2420]	47 [1200]	1744	357
	40"	1920-2700	8"-10"	2"	39 [1000]	47 [1200]	23-1/2 [600]	43 [1100]	77 [1960]	105 [2670]	47 [1200]	1834	408
136-155	30"	2040-2330	10"-12"	2"	43 [1100]	51 [1300]	25-1/2 [650]	49 [1250]	69 [1760]	97 [2475]	51 [1300]	2306	417
	40"	2720-3100	10"-12"	2"	43 [1100]	51 [1300]	25-1/2 [650]	49 [1250]	79 [2010]	107 [2725]	51 [1300]	2430	480
156-173	30"	2340-2600	10"-12"	2"	47 [1200]	55 [1400]	25-1/2 [650]	49 [1250]	69 [1760]	97 [2480]	55 [1400]	2619	517
	40"	3120-3460	10"-12"	2"	47 [1200]	55 [1400]	25-1/2 [650]	49 [1250]	79 [2010]	107 [2730]	55 [1400]	2749	591

All dimensions are nominal and rounded to 1/4" in the format of inch[mm]