

2007-2010 Ultra 250/260

Cooling System

Description	Id (in)	Length (in)
Cooling system bypass to upper right side of hull	1/4 in	65
Flush port upper from dash to port under hood	1/2 in	36
Flush port lower from bottom of dash to ex manifold	1/2 in	40
Oil cooler bottom port to cylinder head port	1/2 in	16
Crankshaft support cooler top port by PTO to Oil cooler top	1/2 in	31
Side of exhaust to intercooler top	5/8 in	24
Cylinder mid block port under ex manifold to water box	1/2 in	22
Hull/jet pump to crank cooler bottom by PTO	1/2 in	30
Bottom intercooler 45 elbow to Hull	1/2 in	20
Bottom intercooler straight port to hull	1/2 in	20
Cylinder head port by supercharger to hull/jet pump	1/2 in	42
Exhaust rear fitting top by 4 bolts to hull	1/2 in	30
Water feed top left jet pump	1/2 in	5
Water feed top right jet pump	1/2 in	5
Water feed side right middle jet pump	1/2 in	6

Oil System

Description	Id (in)	Length (in)
Left side cylinder to oil pan drain	5/8 in	12
Bottom of oil sep to oil pan right	5/8 in	29
Top valve cover to oil separator	5/8 in	9
Side crankcase to valve cover drain	5/8 in	19

Totals Needed:

1/4 in	65
1/2 in	303
5/8 in	93

2011-2015 Ultra 300/310

Cooling System

Description	Id (in)	Length (in)
Cooling system bypass to upper right side of hull	1/4 in	65
Flush port rear of hull to exhaust manifold	5/8 in	38
Oil cooler to self route	1/2 in	28
Oil cooler bottom port to cylinder head port	1/2 in	36
Crankshaft support cooler top port by PTO to Oil cooler	1/2 in	31
Hull/jet pump to crank cooler bottom by PTO	1/2 in	30
Bottom intercooler 45 elbow to Hull rear flush	5/8 in	30
Bottom intercooler straight port to hull	1/2 in	20
Cylinder head port to supercharger	1/2 in	14
Supercharger to hull/jet pump	1/2 in	30
Water feed top left jet pump	1/2 in	5
Water feed top right jet pump	1/2 in	5
Water feed side right middle jet pump	1/2 in	6

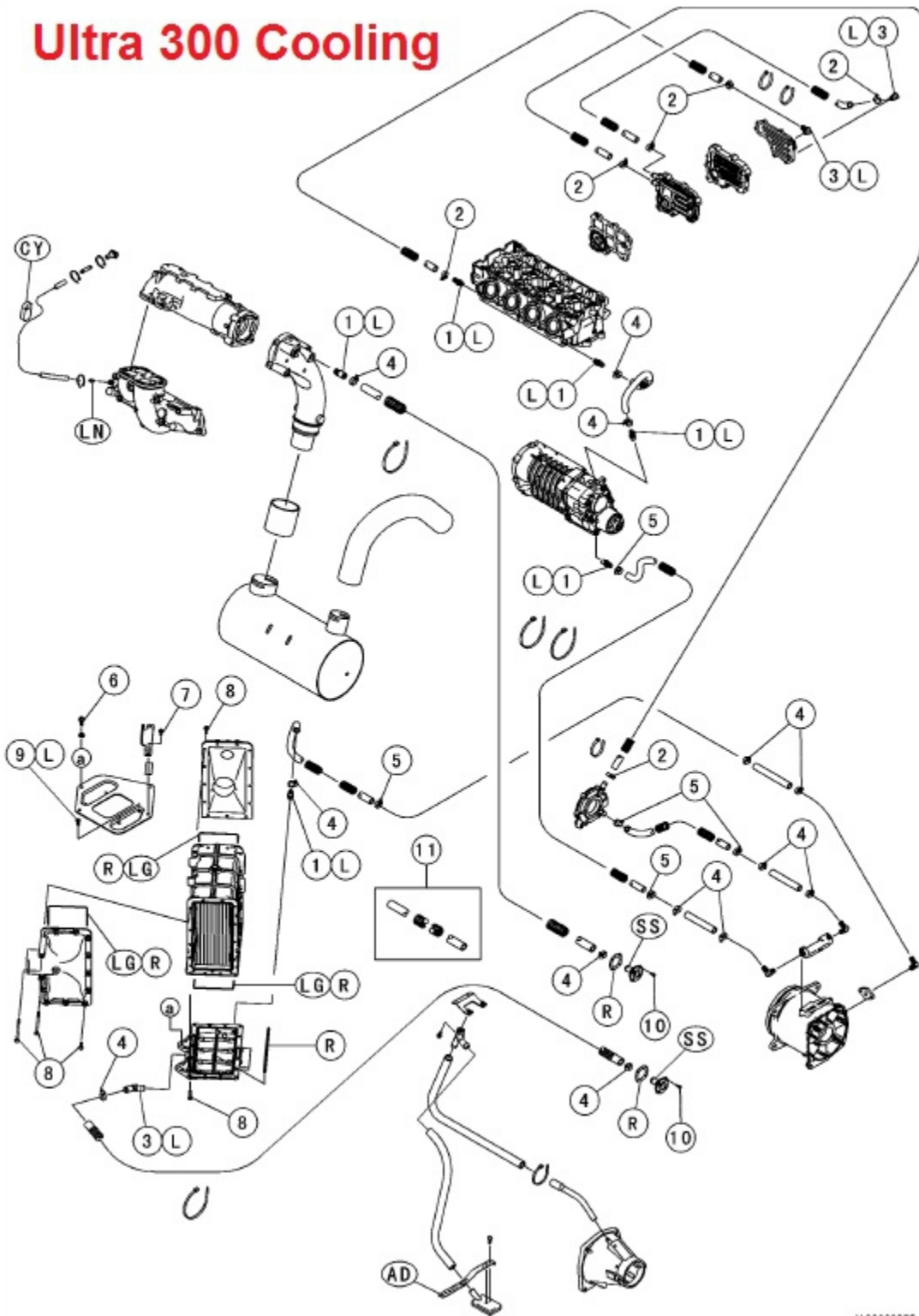
Oil System

Description	Id (in)	Length (in)
Left side cylinder to oil pan drain	5/8 in	12
Bottom of oil sep to oil pan right	5/8 in	29
Top valve cover to oil seperator	5/8 in	9

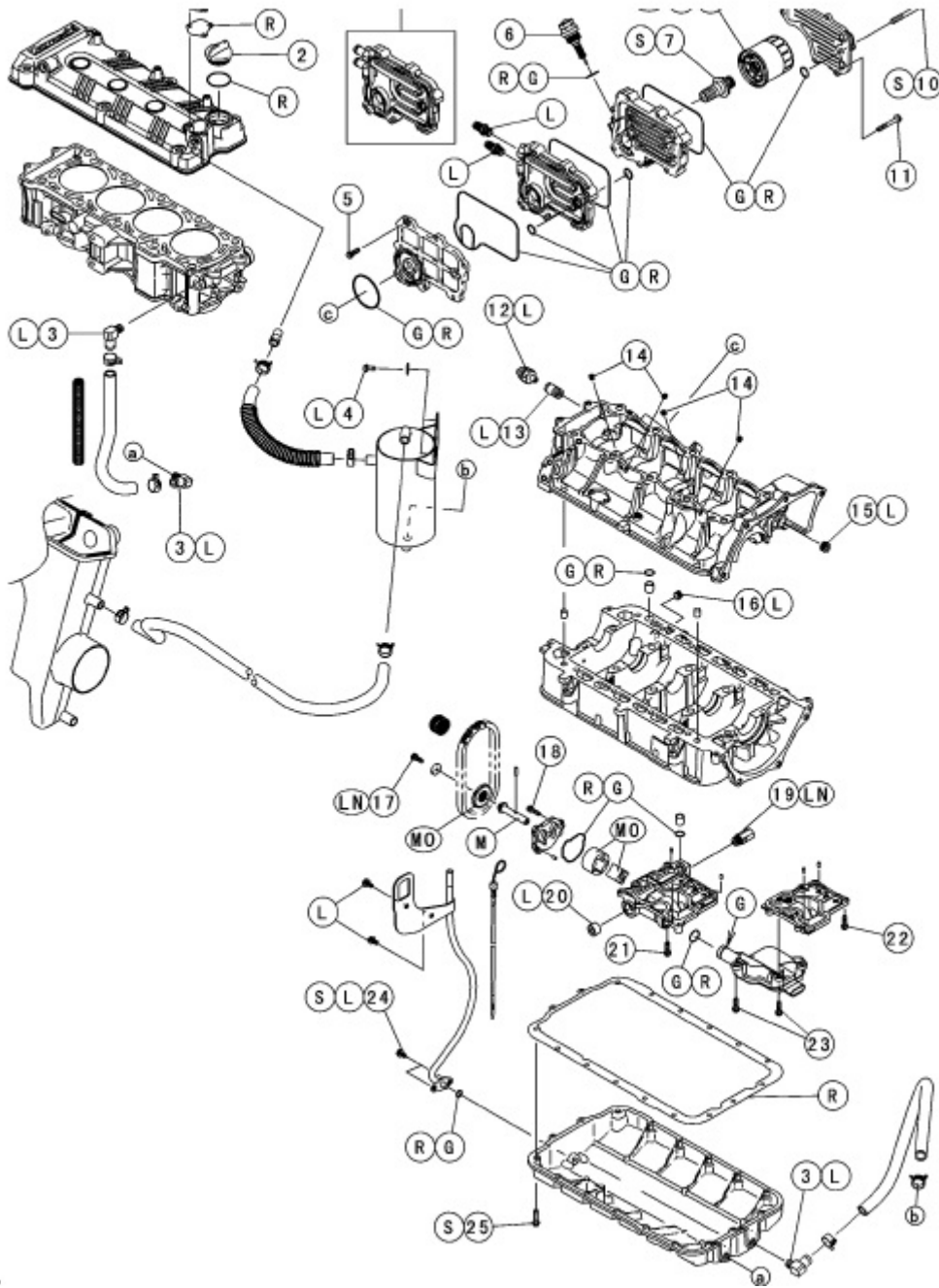
Totals Needed:

1/4 in	65
1/2 in	205
5/8 in	118

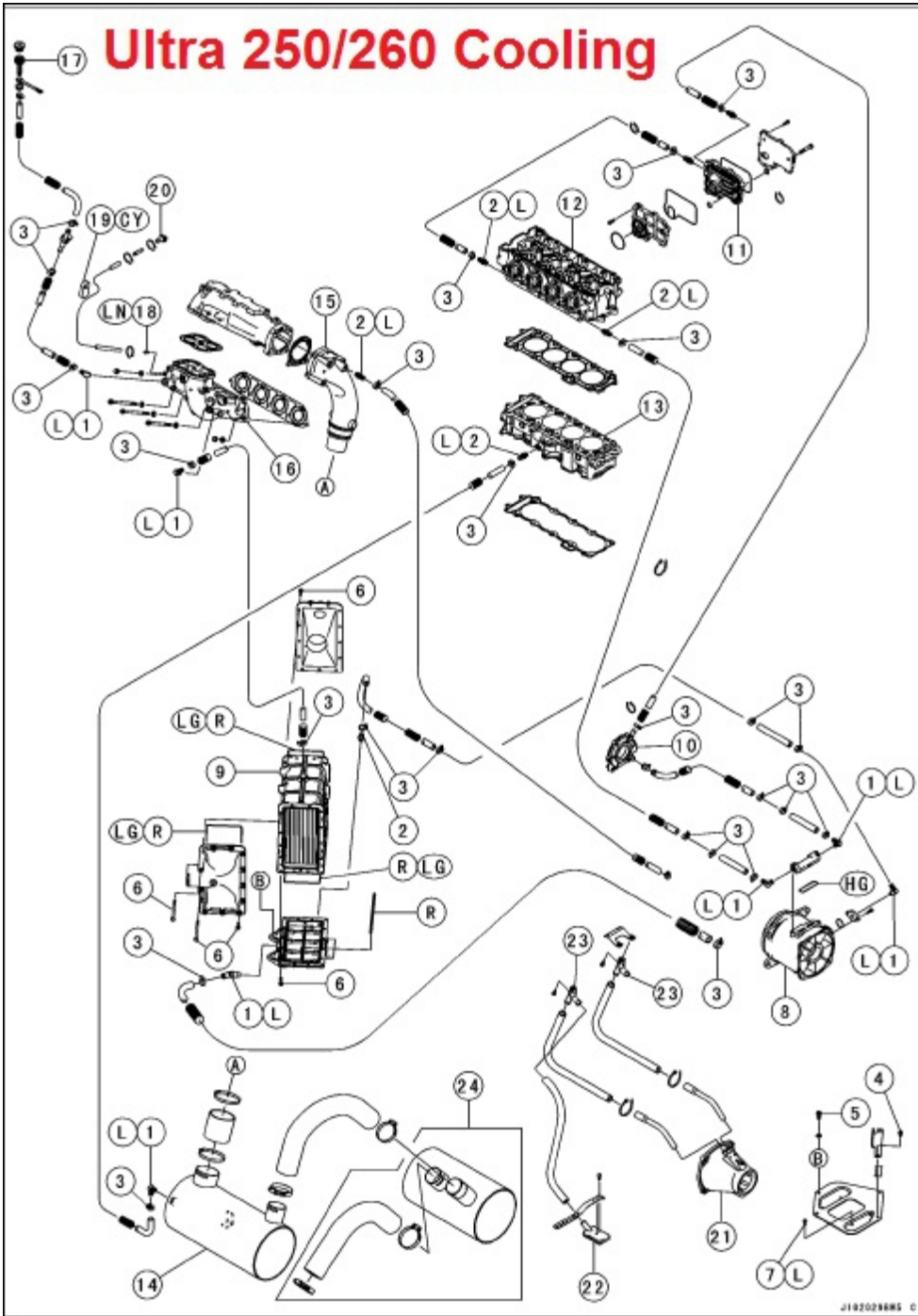
Ultra 300 Cooling



Ultra 300 Oil Lines



Ultra 250/260 Cooling



Ultra 250/260 Oil Lines

