

STEGMEIER
LLC

www.stegmeier.com



PRODUCT
CATALOG

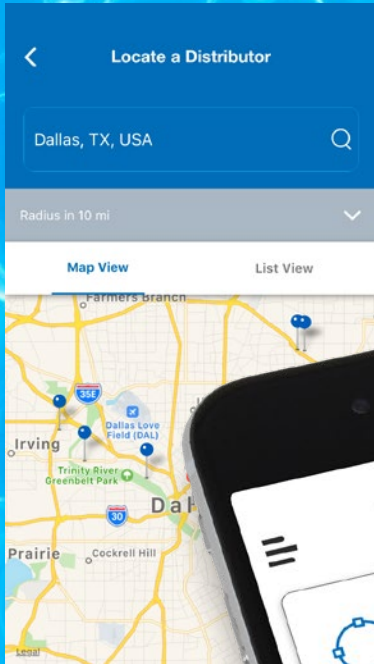
Volume 20.10

ARLINGTON, TX • HENDERSON, NV • APOPKA, FL • ATLANTA, GA

DOWNLOAD THE STEGMEIER LLC APP



DOWNLOAD THE STEGMEIER LLC APP



STEGMEIER
LLC

www.stegmeier.com

• Toll-Free (800) 382-5430

TABLE OF CONTENTS

GUNITE/ FIBERGLASS CANTILEVER FORMS

Regular	2
Regular w/ Plumb Strip	14
Deep Regular	3
6" Regular	2
Capstone	2
Capstone w/ Plumb Strip	14
6" Capstone	2
Intermediate	3
Intermediate w/ Plumb Strip	14
Sandstone Form	3
Commercial Form	4
OG Form	3
Classic Roman	4
Stamp-A-Form	4
Stamp-A-Form with Nail-On Ledger	4
Texturit Form and Liner	5
Child Safety Grip Form	5
Child Safety Grip Tools	5
Fiber-Optic Regular	6
Fiber-Optic Capstone	6
Pool Cover Form	7
Pool Cover Form II	7
Pool Cover Form E	8
Preformed Corners	8

VINYL LINER CANTILEVER FORMS

Clip-Loc	
Regular, Capstone and Intermediate with Liner Track	9
Clip-Loc & Dual Aluminum Track	
Regular, Capstone and Intermediate	9
Perim-A-Lite Regular	11
Perim-A-Lite Capstone	11
Liner Pool Cover Form	12
Cantilever Step Kit	43
Dual Aluminum Liner Track	12
Aluminum Liner Track	12
Liner Track	13

FORMING & FINISHING ITEMS

Encapsulated Form Adapter	10
1" and 1 3/4" Extender Strip	10
Filler Strip	10
No Gum Tape	10
Plumb Strip	14
Removable Plumb Strip	14
Step Ledger	13
Foam Profile Edging Tools	16
Stainless Steel Trowels	16
Total Edge Tools	17
Tile Ledger Board	17
Slip-N-Join Lumber	18
Dash Brush	19
Specialty Trowels	19
Chamfer Clips	20
Wall Cap Forms	21
Countertop Forms	22
Backsplash Forms	23
Step Liners	24

JOINTS

Poli-Void	25
Boss Joint Sealant	25
Frontier Deck Joint	26
Rigid Deck Joint	26
Rigid Hold	26
Nose Caps	27

DRAINS

Deck Drain	27
Channel Drain	28
Super Drain	28
Frontier Deck Drain	29
Treadmaster Commercial	29
Flowmaster Commercial Deck Drain	30
Flowmaster A/T Drain	30
Flowmaster 3 Commercial Deck Drain	31
Flowmaster 3 A/T Drain	31
Adjustable Height Paver Drain	32
Paver Drain A/T	32
Mini Paver Drain	33
Paver Drain Pro	33
Flush Mount Paver Drain	34
Drain Fittings	34-36
Drain Extender Kit	37
Drain Dowels	45

RENOVATION PRODUCTS

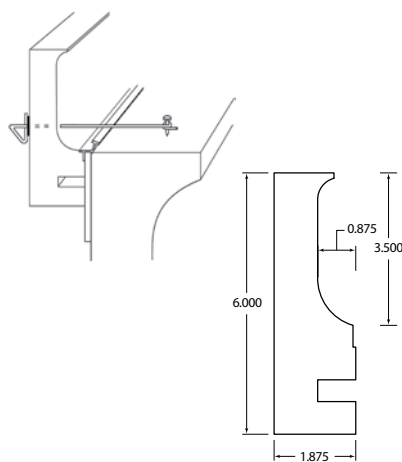
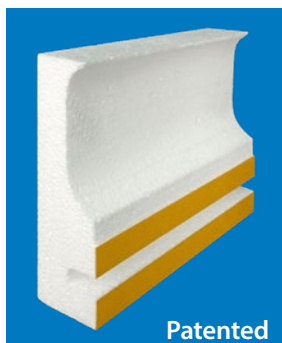
Re-Cover Drain	37
Re-Cover Drain II	38
Re-Cover Super Drain	38
Re-Cover Channel Drain	38
Renovation Forms	15
Resin Rock, Deep Resin Rock	15
Renovation Fiber-Optic	39
Renovation Tile Strip	39
Re-Cover Strip	40
Re-Cover Strip II	40
Deck Renew	41
Touch-Up Kit	41

ADDITIONAL ITEMS

Frontier Bonding Agent	42
Frontier Desert Seal	42
Fiber-Optic II Receiver	43
Cantilever Step Kit	43
S-Clip	44
Tie Wire Side Kit	44
Plumb Strip Side Kit	44
Tile Strip	45
Tile Strip Flex	45
Release Agent	45
Quick Reference	46-48
Cantilever Profile Examples	49
Frontier Desert Deck	Back cover

REGULAR

Poured in Place "Cantilever Forms" (Gunite/Fiberglass)



TIE WIRE KIT Includes:
100 ea. Tie Wires
100 ea. Washers
100 ea. Concrete Nails
1 roll Bending Tape

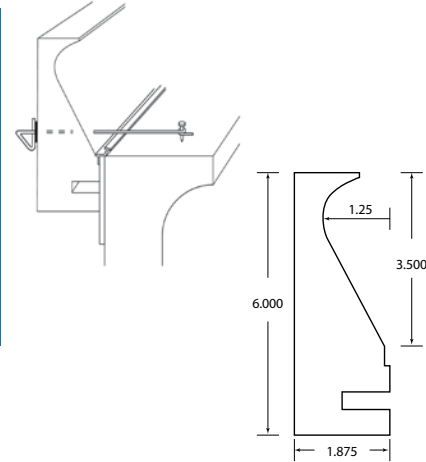
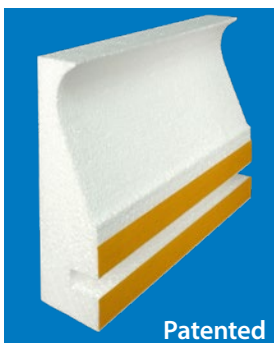
PACKAGED 112' PER CARTON

DESCRIPTION	PART #
Regular Form Only	1CF000
Regular Form - No Tie Wire - White Tile Strip	1CF011
Regular Form - Tie Wire - No Tile Strip	1CF111
Regular Form - Tie Wire - White Tile Strip	1CF112
Regular Form - Tie Wire - Grey Tile Strip	1CF122
Regular Form - Tie Wire - Tan Tile Strip	1CF132
Regular Form - Tie Wire - Black Tile Strip	1CF162

AVAILABLE WITH PLUMB STRIP (For Fiberglass Pools)
See page 14

CAPSTONE

Poured in Place "Cantilever Forms" (Gunite/Fiberglass)



TIE WIRE KIT Includes:
100 ea. Tie Wires
100 ea. Washers
100 ea. Concrete Nails
1 roll Bending Tape

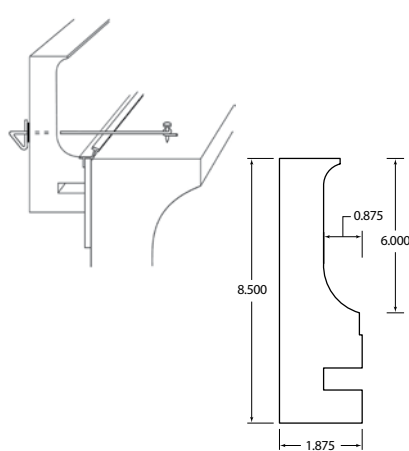
PACKAGED 112' PER CARTON

DESCRIPTION	PART #
Capstone Form Only	9CF000
Capstone Form - No Tie Wire - White Tile Strip	9CF011
Capstone Form - Tie Wire - No Tile Strip	9CF111
Capstone Form - Tie Wire - White Tile Strip	9CF112
Capstone Form - Tie Wire - Grey Tile Strip	9CF122
Capstone Form - Tie Wire - Tan Tile Strip	9CF132
Capstone Form - Tie Wire - Black Tile Strip	9CF162

AVAILABLE WITH PLUMB STRIP (For Fiberglass Pools)
See page 14

6" REGULAR

Poured in Place "Cantilever Forms" (Gunite/Fiberglass)



TIE WIRE KIT Includes:
100 ea. Tie Wires
100 ea. Washers
100 ea. Concrete Nails
1 roll Bending Tape

PACKAGED 80' PER CARTON

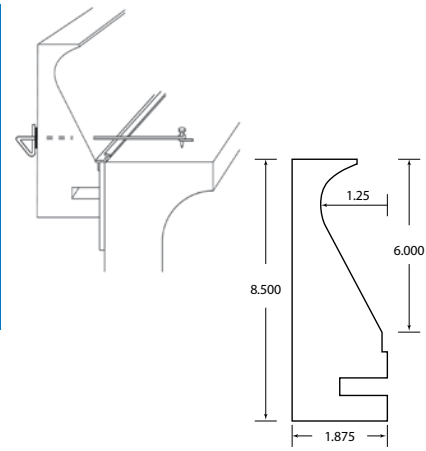
DESCRIPTION	PART #
6" Regular Form Only	61CF000
6" Regular Form - No Tie Wire - White Tile Strip	61CF011
6" Regular Form - Tie Wire - No Tile Strip	* 61CF111
6" Regular Form - Tie Wire - White Tile Strip	* 61CF112
6" Regular Form - Tie Wire - Grey Tile Strip	* 61CF122
6" Regular Form - Tie Wire - Tan Tile Strip	* 61CF132
6" Regular Form - Tie Wire - Black Tile Strip	* 61CF162

* Includes 2 Tie Wire Side Kits

Check local building codes before using this product.

6" CAPSTONE

Poured in Place "Cantilever Forms" (Gunite/Fiberglass)



TIE WIRE KIT Includes:
100 ea. Tie Wires
100 ea. Washers
100 ea. Concrete Nails
1 roll Bending Tape

PACKAGED 80' PER CARTON

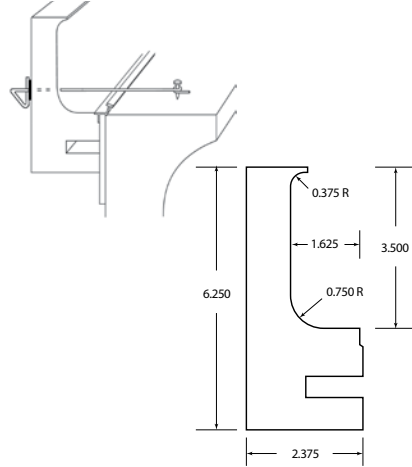
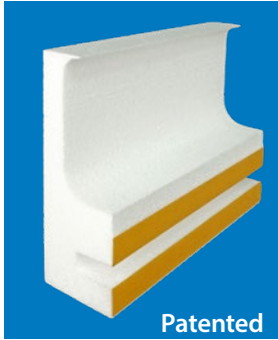
DESCRIPTION	PART #
6" Capstone Form Only	69CF000
6" Capstone Form - No Tie Wire - White Tile Strip	69CF011
6" Capstone Form - Tie Wire - No Tile Strip	* 69CF111
6" Capstone Form - Tie Wire - White Tile Strip	* 69CF112
6" Capstone Form - Tie Wire - Grey Tile Strip	* 69CF122
6" Capstone Form - Tie Wire - Tan Tile Strip	* 69CF132
6" Capstone Form - Tie Wire - Black Tile Strip	* 69CF162

* Includes 2 Tie Wire Side Kits

Check local building codes before using this product.

DEEP REGULAR

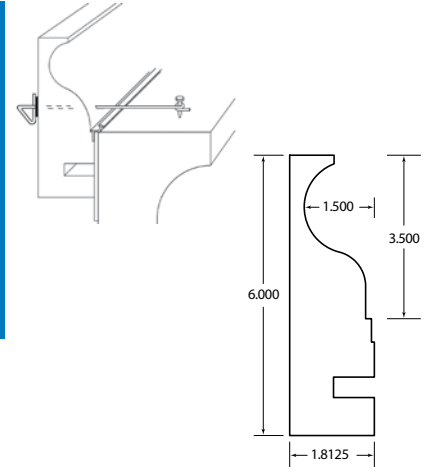
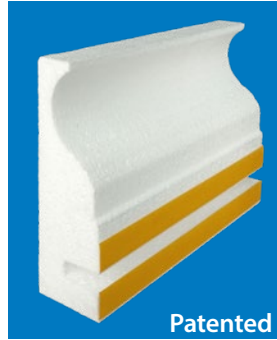
Poured in Place "Cantilever Forms" (Gunite)



TIE WIRE KIT Includes:
100 ea. Tie Wires
100 ea. Washers
100 ea. Concrete Nails
1 roll Bending Tape

INTERMEDIATE

Poured in Place "Cantilever Forms" (Gunite/Fiberglass)



TIE WIRE KIT Includes:
100 ea. Tie Wires
100 ea. Washers
100 ea. Concrete Nails
1 roll Bending Tape

PACKAGED 96' PER CARTON

DESCRIPTION	PART #
Deep Regular Form Only	12CF000
Deep Regular Form - No Tie Wire - White Tile Strip	12CF011
Deep Regular Form - Tie Wire - No Tile Strip *	12CF111
Deep Regular Form - Tie Wire - White Tile Strip *	12CF112
Deep Regular Form - Tie Wire - Grey Tile Strip *	12CF122
Deep Regular Form - Tie Wire - Tan Tile Strip *	12CF132
Deep Regular Form - Tie Wire - Black Tile Strip *	12CF162

* Includes 2 Tie Wire Side Kits

PACKAGED 112' PER CARTON

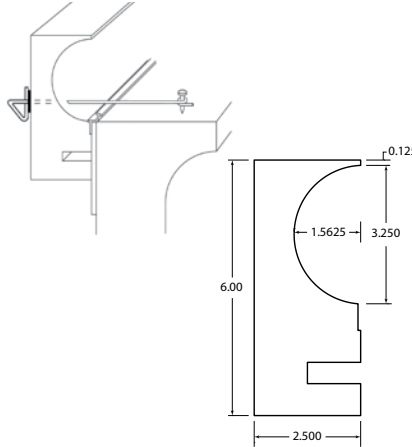
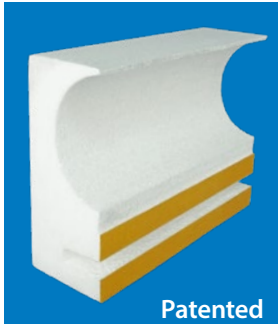
DESCRIPTION	PART #
Intermediate Form Only	2CF000
Intermediate Form - No Tie Wire - White Tile Strip	2CF011
Intermediate Form - Tie Wire - No Tile Strip	2CF111
Intermediate Form - Tie Wire - White Tile Strip	2CF112
Intermediate Form - Tie Wire - Grey Tile Strip	2CF122
Intermediate Form - Tie Wire - Tan Tile Strip	2CF132
Intermediate Form - Tie Wire - Black Tile Strip	2CF162

AVAILABLE WITH PLUMB STRIP (For Fiberglass Pools)

See page 14

SANDSTONE FORM

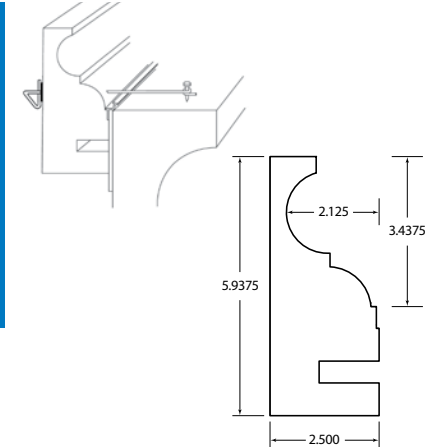
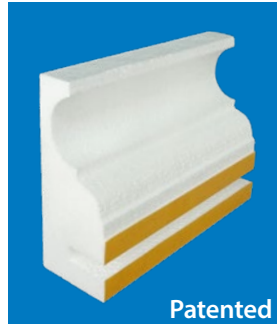
Poured in Place "Cantilever Forms" (Gunite)



TIE WIRE KIT Includes:
100 ea. Tie Wires
100 ea. Washers
100 ea. Concrete Nails
1 roll Bending Tape

OG FORM

Poured in Place "Cantilever Forms" (Gunite)



TIE WIRE KIT Includes:
100 ea. Tie Wires
100 ea. Washers
100 ea. Concrete Nails
1 roll Bending Tape

PACKAGED 80' PER CARTON

DESCRIPTION	PART #
Sandstone Form Only	17CF000
Sandstone Form - No Tie Wire - White Tile Strip	17CF011
Sandstone Form - Tie Wire - No Tile Strip *	17CF111
Sandstone Form - Tie Wire - White Tile Strip *	17CF112
Sandstone Form - Tie Wire - Grey Tile Strip *	17CF122
Sandstone Form - Tie Wire - Tan Tile Strip *	17CF132
Sandstone Form - Tie Wire - Black Tile Strip *	17CF162

* Includes 2 Tie Wire Side Kits

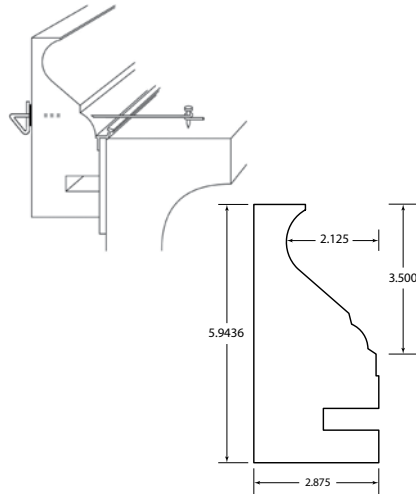
PACKAGED 80' PER CARTON

DESCRIPTION	PART #
OG Form - Form only	20CF000
OG Form - No Tie Wire - White Tile Strip	20CF011
OG Form - Tie Wire - No Tile Strip *	20CF111
OG Form - Tie Wire - White Tile Strip *	20CF80
OG Form - Tie Wire - Grey Tile Strip *	20CF122
OG Form - Tie Wire - Tan Tile Strip *	20CF132
OG Form - Tie Wire - Black Tile Strip *	20CF162

* Includes 2 Tie Wire Side Kits

COMMERCIAL FORM

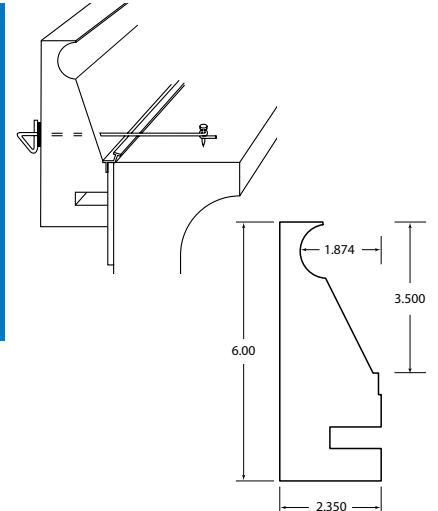
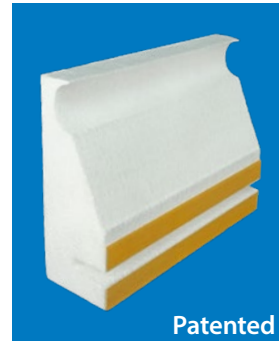
Poured in Place "Cantilever Forms" (Gunite)



TIE WIRE KIT Includes:
 100 ea. Tie Wires
 100 ea. Washers
 100 ea. Concrete Nails
 1 roll Bending Tape

CLASSIC ROMAN

Poured in Place "Cantilever Forms" (Gunite/Fiberglass)



TIE WIRE KIT Includes:
 100 ea. Tie Wires
 100 ea. Washers
 100 ea. Concrete Nails
 1 roll Bending Tape

PACKAGED 80' PER CARTON

DESCRIPTION	PART #
Commercial Form Only	3CF000
Commercial Form - Tie Wire - No Tile Strip *	3CF111
Commercial Form - Tie Wire - White Tile Strip *	3CF80
Commercial Form - Tie Wire - Tan Tile Strip *	3CF802
Commercial Form - Tie Wire - Black Tile Strip *	3CF803
Commercial Form - Tie Wire - Grey Tile Strip *	3CF805

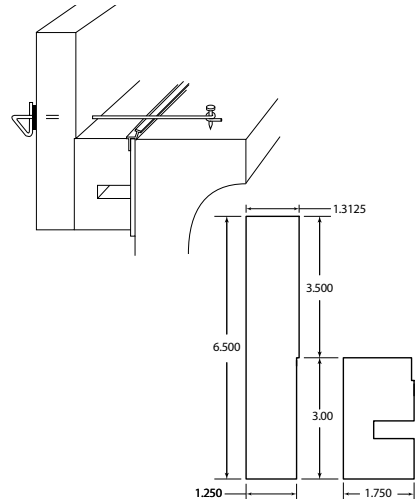
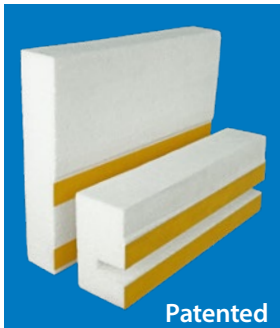
* Includes 2 Tie Wire Side Kits

PACKAGED 112' PER CARTON

DESCRIPTION	PART #
Classic Roman Form Only	21CF000
Classic Roman Form - No Tie Wire - White Tile Strip	21CF011
Classic Roman Form - Tie Wire - No Tile Strip	21CF111
Classic Roman Form - Tie Wire - White Tile Strip	21CF112
Classic Roman Form - Tie Wire - Grey Tile Strip	21CF122
Classic Roman Form - Tie Wire - Tan Tile Strip	21CF132
Classic Roman Form - Tie Wire - Black Tile Strip	21CF162

STAMP-A-FORM

Poured in Place "Cantilever Forms" (Gunite)



TIE WIRE KIT Includes:
 100 ea. Tie Wires
 100 ea. Washers
 100 ea. Concrete Nails
 1 roll Bending Tape

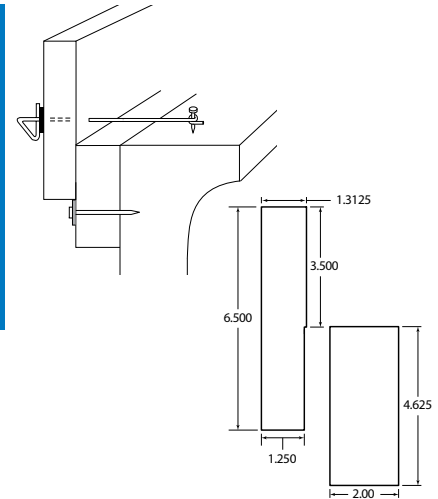
PACKAGED 96' PER CARTON

DESCRIPTION	PART #
Stamp-A-Form - Tie Wire - White Tile Strip	10CF112
Stamp-A-Form - Tie Wire - Grey Tile Strip	10CF122
Stamp-A-Form - Tie Wire - Tan Tile Strip	10CF132
Stamp-A-Form - Tie Wire - Black Tile Strip	10CF162

This form is designed to be used when pouring stamped concrete. The two-piece design allows the contractor to leave the ledger portion in place while removing the form early enough to stamp the face.

STAMP-A-FORM with Nail-On Ledger

Poured in Place "Cantilever Forms" (Gunite)



CARTON Includes:
 100 ea. Tie Wires
 100 ea. Washers
 100 each 2" Concrete Nails
 100 each 2 1/4" Concrete Nails
 100 each Fender Washers
 1 roll Bending Tape

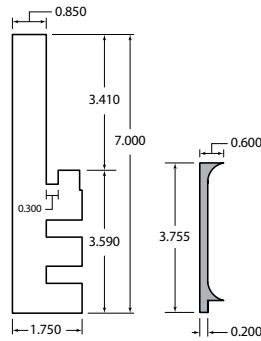
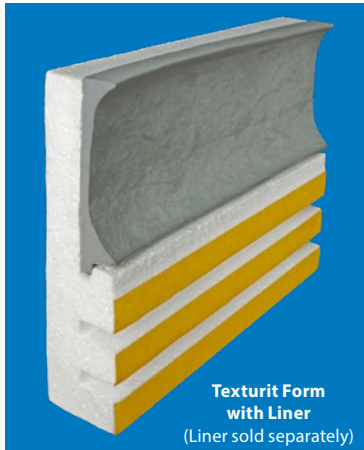
PACKAGED 112' PER CARTON

DESCRIPTION	PART #
Stamp-A-Form With Nail-On Ledger - Tie Wire	13CF112

This form is designed for Stamped Concrete Applications before the tile is applied.

TEXTURIT FORM & LINER

Textured Pool Forming System



- User-friendly foam forms
- Re-usable liners
- Conforms to virtually any pool shape

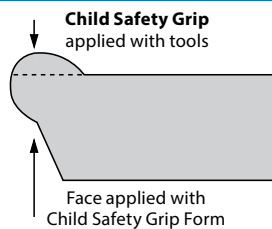
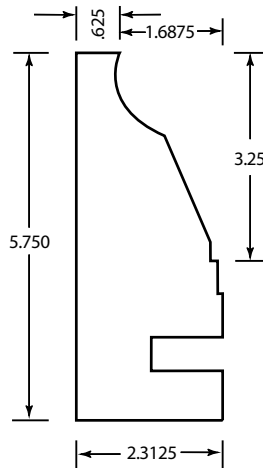
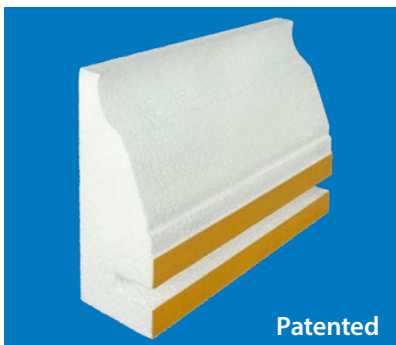
DESCRIPTION	PART #
Texturit Form -White	23CF112
Texturit Form - Grey	23CF122
Texturit Form - Tan	23CF132
Texturit Form - Black	23CF162
Texturit Form - No Tile Strip	23CF111

PACKAGED 112' TEXTURIT FORM, 112' TILE STRIP AND 1 ROLL BENDING TAPE

DESCRIPTION	PART #
Texturit Liner	23TM60

PACKAGED 60' PER CARTON

CHILD SAFETY GRIP FORM



DESCRIPTION	PART #
Child Safety Grip Form Only	CSG000
Child Safety Grip Form - No Tie Wire - White Tile Strip	CSG011
Child Safety Grip Form - Tie Wire - No Tile Strip	CSG111
Child Safety Grip Form - Tie Wire - White Tile Strip	CSG112
Child Safety Grip Form - Tie Wire - Grey Tile Strip	CSG122
Child Safety Grip Form - Tie Wire - Tan Tile Strip	CSG132
Child Safety Grip Form - Tie Wire - Black Tile Strip	CSG162

PACKAGED 112' PER CARTON

CHILD SAFETY GRIP TOOLS



DESCRIPTION	PART #	
Radius Tool	CSG1CE	
Profile Edging Tools	CSG1EDG	
Hopper Applicator Tool - Large	CSG1LH	
Hopper Applicator Tool - Small	CSG1SM	
Inside 90° Corner Tools	CSG190-I	
Outside 90° Corner Tools	CSG190-O	
Complete Set	CSG1000	

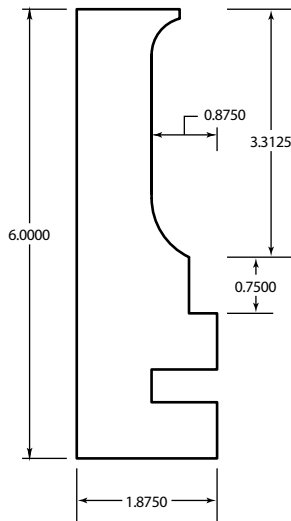
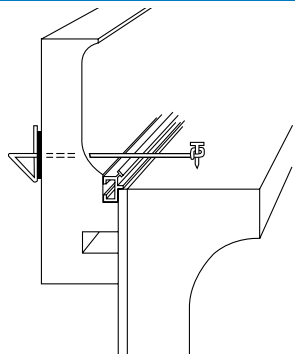
NOTE: We recommend the use of our Frontier Desert Seal on child safety grip pours to help reduce the effects of freeze/thaw damage. See page 42.

FIBER-OPTIC REGULAR

Poured in Place Perimeter Fiber-Optic Form (Gunite / Fiberglass)



- Quick-set system for installing perimeter Fiber-Optic Lighting.
- The Fiber-Optic Receiver is set with the Cantilever form.
- When the Cantilever form is removed, the perimeter Fiber-Optic Receiver remains in place.



PART #	DESCRIPTION	
17FS112	For Fiberstars FSSB, FSSB-CABL-42 & Supervision SV23	
17SV112	For Supervision SV32, SV42, Lumenyte, Fiberstars ELD, BPAK-50, Fiberworks FW 25, FW 50	
17AP112	For Fiberworks Ultra Glow 25, 50, 75	

PACKAGED 112' PER CARTON

(FLEX TRACK IS ALSO AVAILABLE)

For Flex-Track, add this extension to the end of the part number.

- FLEX

CARTON INCLUDES:

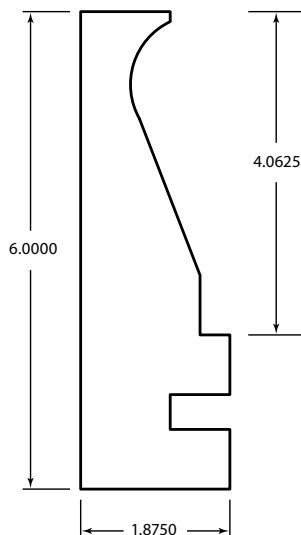
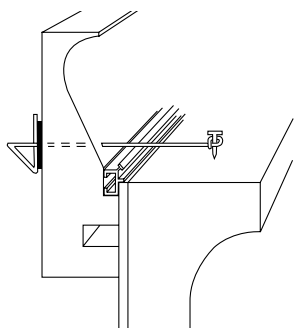
- 112' FIBER-OPTIC REGULAR FORM
- 112' FIBER-OPTIC RECEIVER
- 1 TIE WIRE SIDE KIT

FIBER-OPTIC CAPSTONE

Poured in Place Perimeter Fiber-Optic Form (Gunite / Fiberglass)



- Quick-set system for installing perimeter Fiber-Optic Lighting.
- The Fiber-Optic Receiver is set with the Cantilever form.
- When the Cantilever form is removed, the perimeter Fiber-Optic Receiver remains in place.



PART #	DESCRIPTION	
7FS112	For Fiberstars FSSB, FSSB-CABL-42 & Supervision SV23	
77SV112	For Supervision SV32, SV42, Lumenyte, Fiberstars ELD, BPAK-50, Fiberworks FW 25, FW 50	
77AP112	For Fiberworks Ultra Glow 25, 50, 75	

PACKAGED 112' PER CARTON

(FLEX TRACK IS ALSO AVAILABLE)

For Flex-Track, add this extension to the end of the part number.

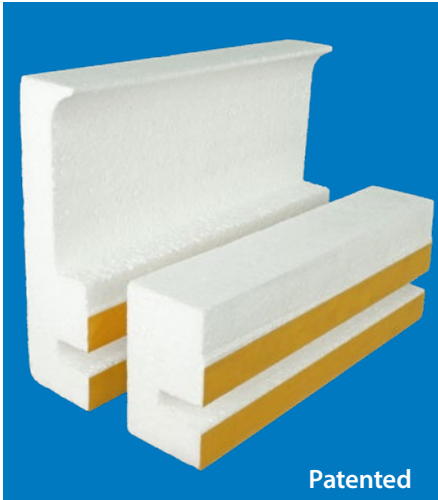
- FLEX

CARTON INCLUDES:

- 112' FIBER-OPTIC CAPSTONE FORM
- 112' FIBER-OPTIC RECEIVER
- 1 TIE WIRE SIDE KIT

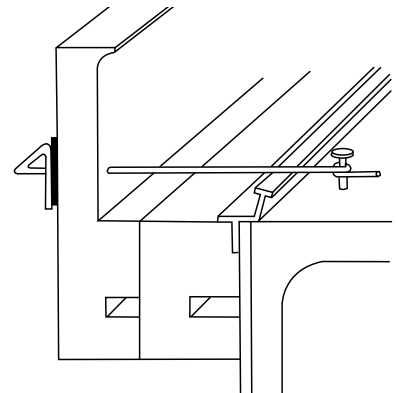
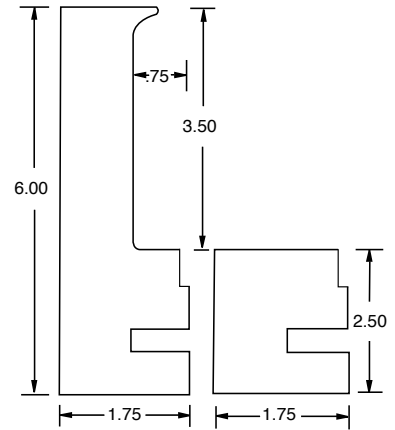
POOL COVER FORM

Poured in Place Pool Cover Cantilever Form (Gunitite)



Patented

This form is used when pouring the deck prior to installing the automatic pool cover track. The automatic pool cover track is attached to the flat surface under the concrete cantilever edge.



DESCRIPTION		PART #
Pool Cover Form - Tie Wire - White Tile Strip	*	4CF112
Pool Cover Form - Tie Wire - Grey Tile Strip	*	4CF122
Pool Cover Form - Tie Wire - Tan Tile Strip	*	4CF132
Pool Cover Form - Tie Wire - Black Tile Strip	*	4CF162
Pool Cover No Extender - Tie Wire - White Tile Strip	**	4CF112NE

* PACKAGED 104' PER CARTON
(INCLUDES 2 TIE WIRE SIDE KITS)

** PACKAGED 112' PER CARTON (INCLUDES 1 TIE WIRE SIDE KIT)

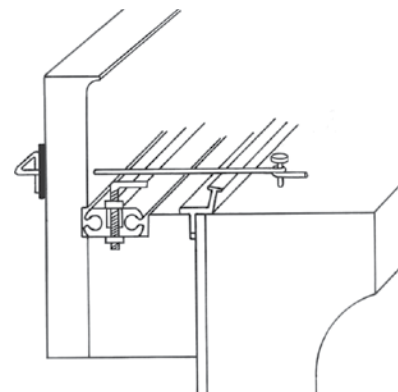
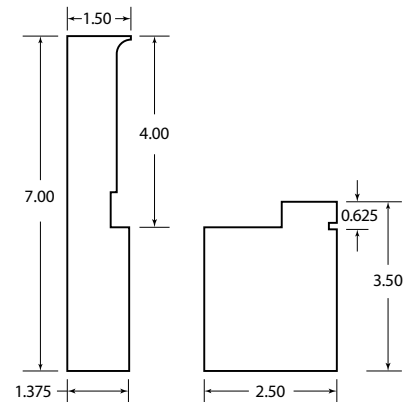
POOL COVER FORM II

Poured in Place Pool Cover Form (Gunitite)



Patented

This product saves time by mounting the track the same day as the pour and is an extremely strong attachment because the anchors are cast into the concrete.



CARTON INCLUDES:

- 104' POOL COVER FORMS
- STAINLESS STEEL HARDWARE KIT
- 90 DEGREE PREFORMED GUNITITE CORNER KIT
- 2 TIE WIRE SIDE KITS

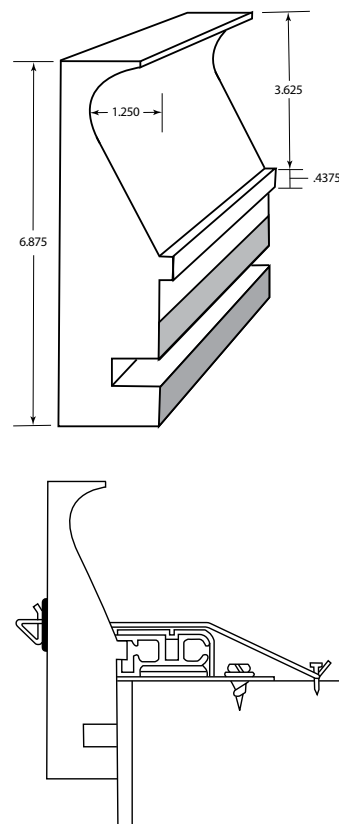
DESCRIPTION	PART #
Pool Cover Form II Tie Wire - White Tile Strip	4PC104
Pool Cover Form II Capstone Tie Wire - White Tile Strip	49PC104
Pool Cover Form II Regular Tie Wire - White Tile Strip	41PC104

POOL COVER FORM E

Poured in Place Pool Cover Form for Pools having Encapsulated Tracks

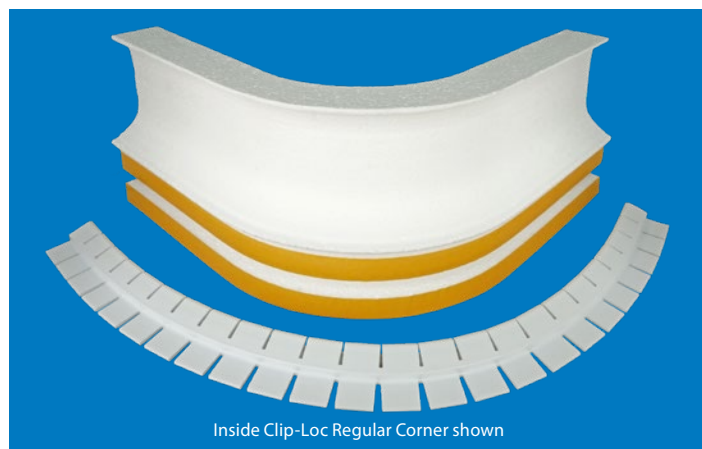
Pool Cover Form E provides a cantilever edge on swimming pools having encapsulated automatic pool covers. The foam protrusion above the double faced tape is designed to key into the aluminum channel, keeping it clean during the pour and establishing elevation.

- Part# 4PCEL**
- CARTON INCLUDES:**
- 104' POOL COVER E FORMS
 - 125 TIE WIRES
 - 125 CONCRETE NAILS
 - 125 SELF-TAPPING SCREWS
 - 125 WASHERS
 - 1 ROLL OF BENDING TAPE



PREFORMED CORNERS

Preformed radius corners



DESCRIPTION	6" INSIDE	6" OUTSIDE	12" INSIDE	90° INSIDE	90° OUTSIDE
Regular	14RC6-I	14RC6-O	14RC12-I	14RC90-I	14RC90-O
Capstone	94RC6-I	94RC6-O	94RC12-I	94RC90-I	94RC90-O
Sandstone	174RC6-I	174RC6-O	174RC12-I	---	---
Commercial	34RC6-I	34RC6-O	34RC12-I	---	---
Clip-Loc Capstone	84RCC6-I	84RCC6-O	84RCC12-I	---	---
Clip-Loc Regular	84RCR6-I	84RCR6-O	84RCR12-I	---	---
Clip-Loc Intermediate	84RCI6-I	84RCI6-O	84RCI12-I	---	---

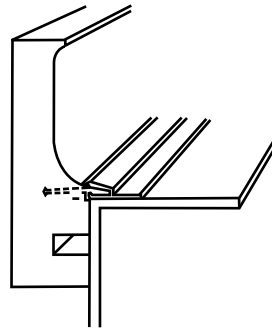
4 PIECES PER CARTON

CLIP-LOC Regular, Capstone and Intermediate with Liner Track

Poured in Place Cantilever Form (Liner Pools)

The Clip-Loc Form attaches to the pool wall panel with double-faced tape and plastic clips (embedded in the foam). The clips snap into the liner track at 6 inch intervals and provide a positive and secure locking device.

DESCRIPTION	PART #
Capstone	8CF1000
Capstone (Without Track)	8CF1000NT
Capstone (With Flex Track)	8CF1000FT
Regular	8CF1001
Regular (Without Track)	8CF1001NT
Regular (With Flex Track)	8CF1001FT
Intermediate	8CF1002
Intermediate (Without Track)	8CF1002NT
Intermediate (With Flex Track)	8CF1002FT



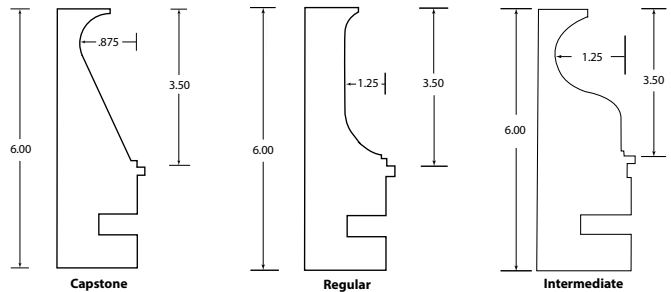
Clip-Loc Regular shown

Aluminum Liner Track is also available

Just order "WITHOUT TRACK" and order 8CF950 for Aluminum Liner Track (Straight) or 8CF955 for Aluminum Liner Track (Flex-Track). See Page 12.

CARTON INCLUDES:

- 112' CLIP-LOC FORMS
- 112' LINER TRACK
- 100 SELF-TAPPING SCREWS
- 1 ROLL BENDING TAPE

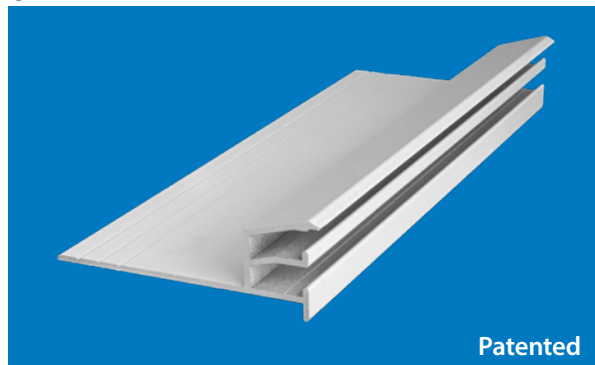


CLIP-LOC & DUAL ALUMINUM TRACK Regular, Capstone and Intermediate

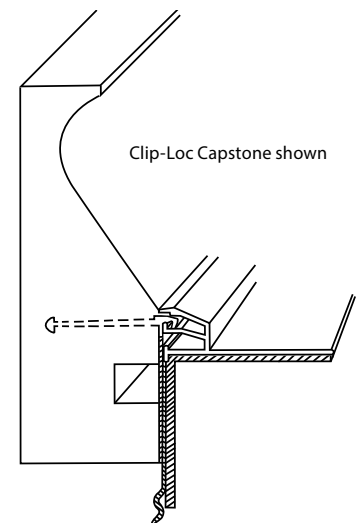
The Dual Aluminum Liner Track system allows for a liner to be placed into position before the cantilever form placement occurs.

This liner track provides a lower slot that is designed to accommodate most liner beads. The upper slot will accept any of the Clip-Loc Form profiles.

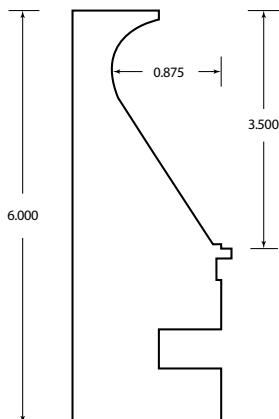
Stegmeier offers a PVC filler strip extrusion that will fill the upper slot after the forms have been removed.



Patented



Clip-Loc Capstone shown



CLIP-LOC FORMS	PART #
Capstone (Without Track)	8CF1000NT
Regular (Without Track)	8CF1001NT
Intermediate (Without Track)	8CF1002NT

DUAL ALUMINUM LINER TRACK	PART #
Track (Straight)	8CF970
Track (Flex)	8CF975

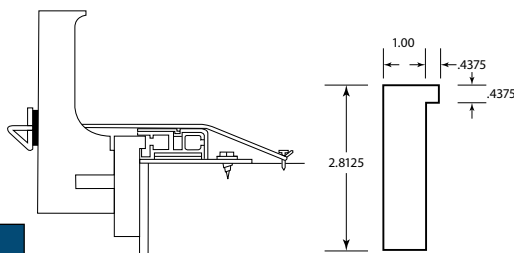
FILLER STRIP	PART #
White	FLS112
Grey	FLS122

PACKAGED
112' PER CARTON

NOTE: Stegmeier LLC does not recommend the installation of cantilever forms with double-faced tape directly to any installed liner. The recommended method is to apply No Gum Tape to the liner and then install the cantilever forms to the correct elevation, sticking the double-faced tape to the No Gum Tape.

ENCAPSULATED FORM ADAPTER

The Encapsulated Form Adapter allows you to set any of our gunite style forms on a pool with an encapsulated cover track.

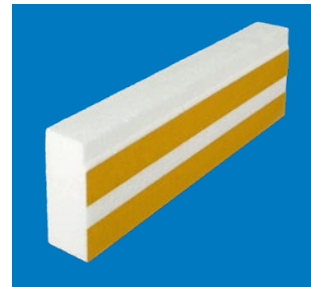
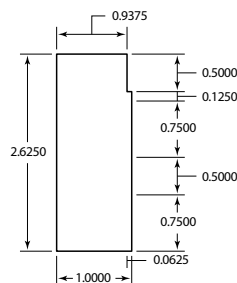


DESCRIPTION	PART #
8' length (112' per carton)	EFA112

1" EXTENDER STRIP

For 1" Cantilevered Edge Extension

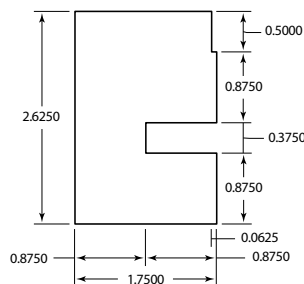
DESCRIPTION	PART #
8' length (480' per carton)	6CF999
4' length (32' per carton)	6CF999-32



1 3/4" EXTENDER STRIP

For 1-3/4" Cantilevered Edge Extension

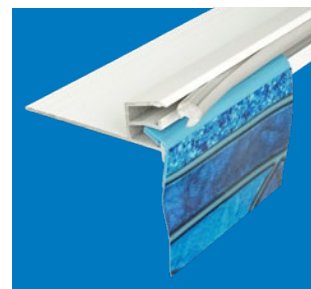
DESCRIPTION	PART #
8' length (240' per carton)	7CF999
4' length (32' per carton)	7CF999-32



FILLER STRIP

Is used to fill the gap that is left when using Clip-Loc Liner Form with Dual Aluminum Liner Track.

DESCRIPTION	PART #	PACKAGED 112' (112' lengths / 1 roll)
Grey	FLS122	
White	FLS112	



NO-GUM TAPE

This tape provides a removable protective film that leaves no gum residue. The Cantilever Forms may be attached directly to the tape surface. This product is recommended for use with one-piece fiberglass pools and liner pools having the liner installed prior to pouring the deck.

DESCRIPTION	PART #	2" x 60 yard
12 Rolls per carton	#4287 -12	
1 Roll	#4287	






PERIM-A-LITE REGULAR

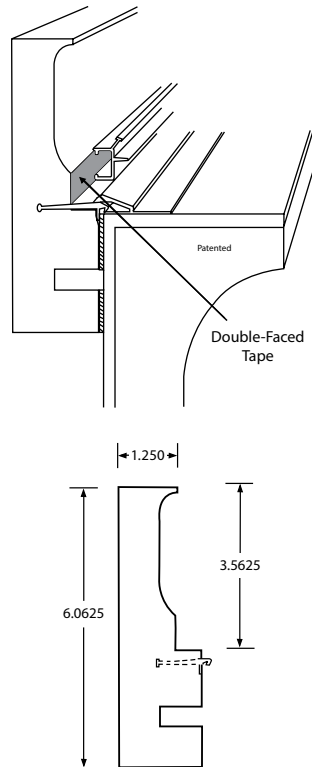
Poured in Place Cantilever Form with Fiber-Optic Application (Liner Pool)

Perim-A-Lite Regular is a Clip-Loc method form with a fiber-optic application. The fiber-optic channel is attached to the inside of the form with double faced tape prior to the pour and is permanently secured into the cantilever profile.

CARTON INCLUDES:

- 112' PERIM-A-LITE FORM
- 112' LINER TRACK
- 112' FIBER-OPTIC RECEIVER (Flex Track is also available)
- 14 2" FIBER-OPTIC INSERTS (Aluminum Liner Track is also available)

PART #	DESCRIPTION	
18CF112	For Fiberstars FSSB, FSSB-CABL-42 & Supervision SV23	
18CF152	For Supervision SV32, SV42, Lumenyte, Fiberstars ELD, BPAK-50, Fiberworks FW 25, FW 50	
18CF172	For Fiberworks Ultra Glow 25, 50, 75	






PERIM-A-LITE CAPSTONE

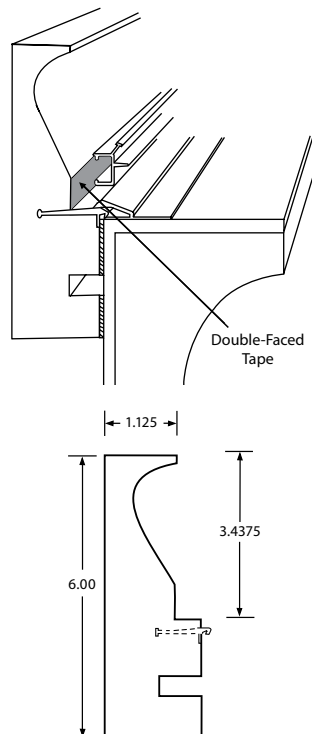
Poured in Place Cantilever Form with Fiber-Optic Application (Liner Pool)

Perim-A-Lite Capstone is a Clip-Loc method form with a fiber-optic application. The fiber-optic channel is attached to the inside of the form with double-faced tape prior to the pour and is permanently secured into the cantilever profile.

CARTON INCLUDES:

- 112' PERIM-A-LITE FORM
- 112' LINER TRACK
- 112' FIBER-OPTIC RECEIVER (Flex Track is also available)
- 14 2" FIBER-OPTIC INSERTS (Aluminum Liner Track is also available)

PART #	DESCRIPTION	
8CF112	For Fiberstars FSSB, FSSB-CABL-42 & Supervision SV23	
8CF152	For Supervision SV32, SV42, Lumenyte, Fiberstars ELD, BPAK-50, Fiberworks FW 25, FW 50	
8CF172	For Fiberworks Ultra Glow 25, 50, 75	

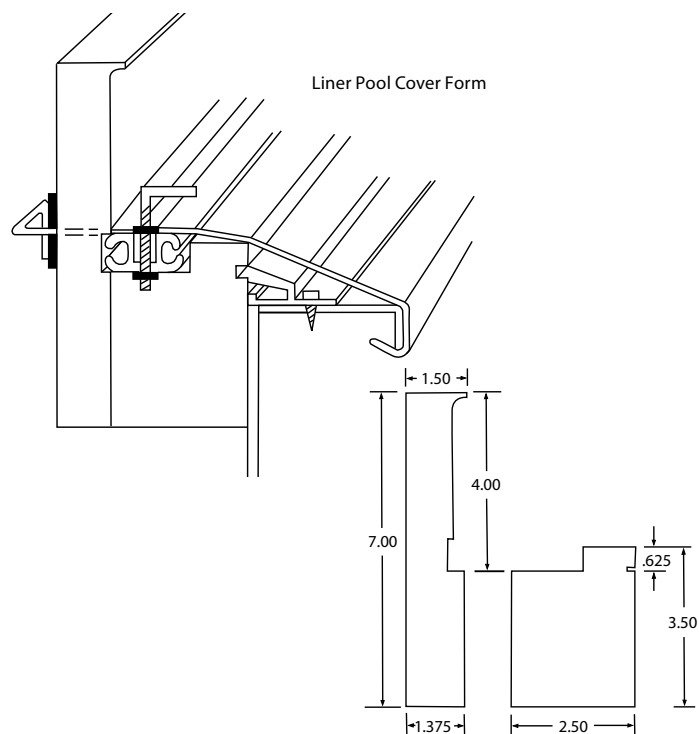


LINER POOL COVER FORM



Patented

The Liner Pool Cover Form is a poured in place Cantilever Form that allows the contractor to install the pool cover track at the time of the pour.



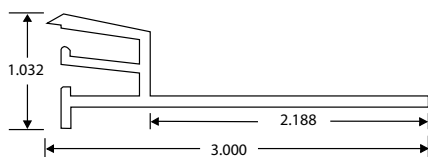
DESCRIPTION	PART #	PACKAGED
Liner Pool Cover Form Regular - Tie Wire - Liner Track *	8PC104	104' PER CARTON

(For Aluminum Liner Track) Just add extension "NT" to the back of the part# and order 8CF950 for Aluminum Liner Track (Straight)

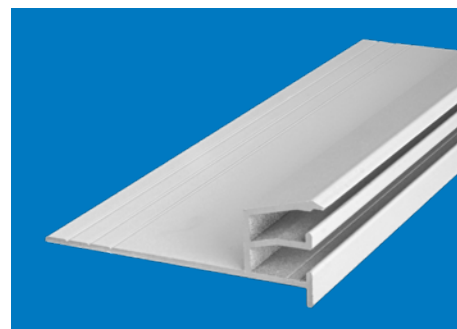
* Includes 2 Tie Wire Side Kits

DUAL ALUMINUM LINER TRACK

Dual Aluminum Liner Track for vinyl liner pools



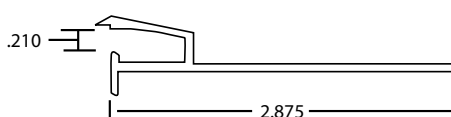
PRODUCT	DESCRIPTION	PART #
Dual Aluminum Liner Track	Straight	14 - 8 ft. pcs. per carton 8CF970
	Flex-Track	14 - 8 ft. pcs. per carton 8CF975



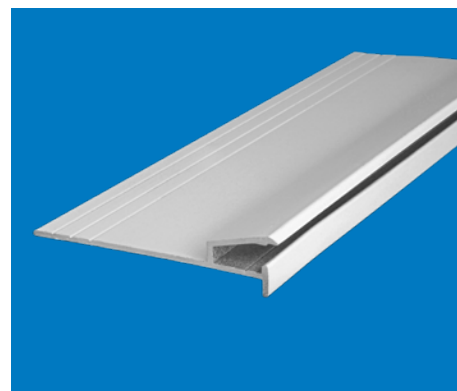
ALUMINUM LINER TRACK

Liner Receptor Track (Liner)

Aluminum Liner Track is extra wide, making it easy to fasten. It works well with polymer walls, metal walls and concrete walls.



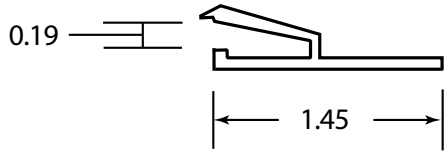
PRODUCT	DESCRIPTION	PART #
Aluminum Liner Track	Straight	14 - 8 ft. pcs. per carton 8CF950
	Flex-Track	14 - 8 ft. pcs. per carton 8CF955



LINER TRACK

All Liner Tracks are available in Flex-Track to freely form to any pool shape.

Liner Track is long lasting, economical and works well with all Stegmeier Liner forms. Liner Track is made with 100% Virgin P.V.C. with UV inhibitors.

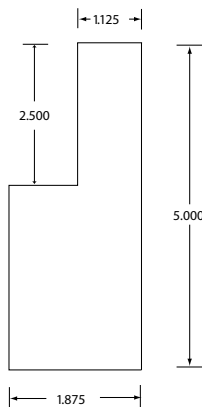
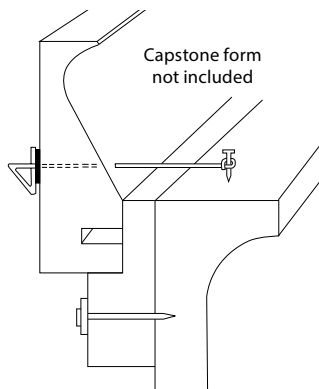


PRODUCT	DESCRIPTION		PART #
Liner Track	Straight	50 pieces per carton	8CF998
	Straight	14 pieces per carton	8CF998-112
	Flex-Track	25 pieces per carton	8CF999
	Flex-Track	14 pieces per carton	8CF999-112
pieces are 8' in length			
Liner Track	2' Corners	10 pieces per carton	8CF997

STEP LEDGER

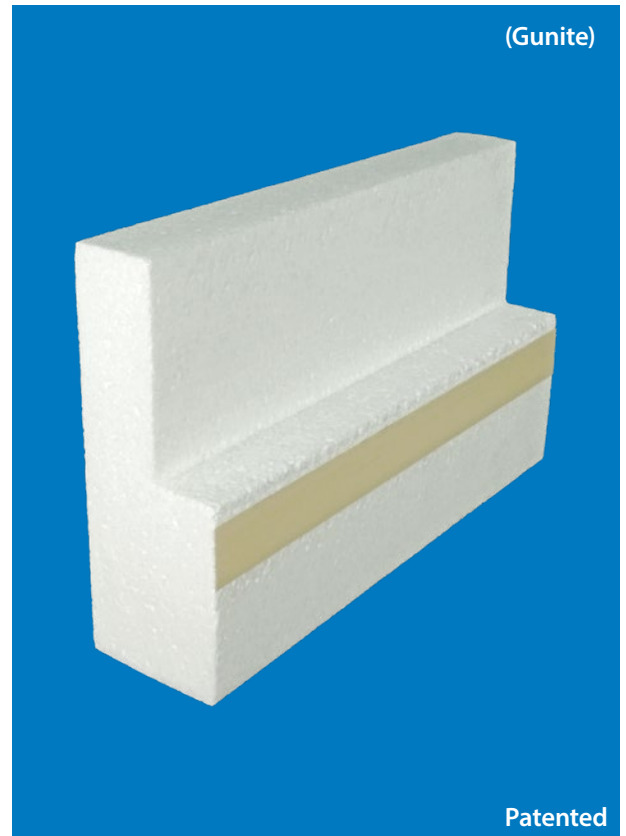
This ledger system is used when it is necessary to pour the cantilever deck prior to setting the tile. Step ledger is nailed to the pool wall, level with the high point and the Stegmeier pool form is attached with double faced tape. Step ledger may be used to install any of the following Stegmeier deck forms:

- CAPSTONE
- REGULAR
- DEEP REGULAR
- INTERMEDIATE
- CLASSIC ROMAN
- COMMERCIAL
- SANDSTONE
- OG FORM
- RESIN ROCK
- DEEP RESIN ROCK



CARTON INCLUDES:
■ 112' STEP LEDGER
■ 100 2-1/4" CONCRETE NAILS
■ 100 2" CONCRETE NAILS
■ 100 FENDER WASHERS
■ 1 ROLL BENDING TAPE

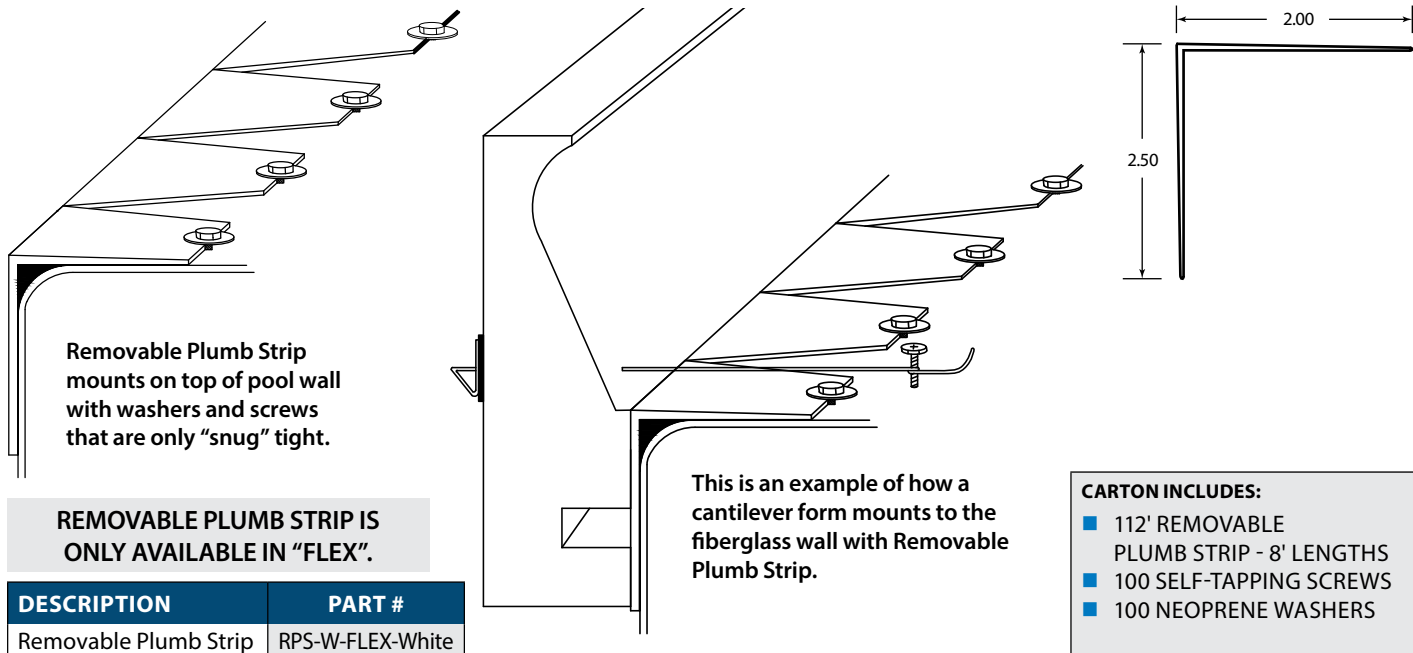
DESCRIPTION	PART #
Step Ledger	16CF112



REMOVABLE PLUMB STRIP

Now You Can Remove the Plumb Strip when you're done! (Fiberglass)

Removable Plumb Strips are PVC corner strips used to square the top edge of a fiberglass pool (one piece) in preparation for setting a Cantilever Form. Removable Plumb Strips are installed using double faced tape and self-tapping screws with neoprene washers. Fasten screws snug tight only so the whole piece can be removed after the job is complete. Tighter radii may be formed by adding additional relief cuts making Removable Plumb Strip adaptable to virtually any pool or step configuration.



Removable Plumb Strip mounts on top of pool wall with washers and screws that are only "snug" tight.

REMOVABLE PLUMB STRIP IS ONLY AVAILABLE IN "FLEX".

DESCRIPTION	PART #
Removable Plumb Strip	RPS-W-FLEX-White

This is an example of how a cantilever form mounts to the fiberglass wall with Removable Plumb Strip.

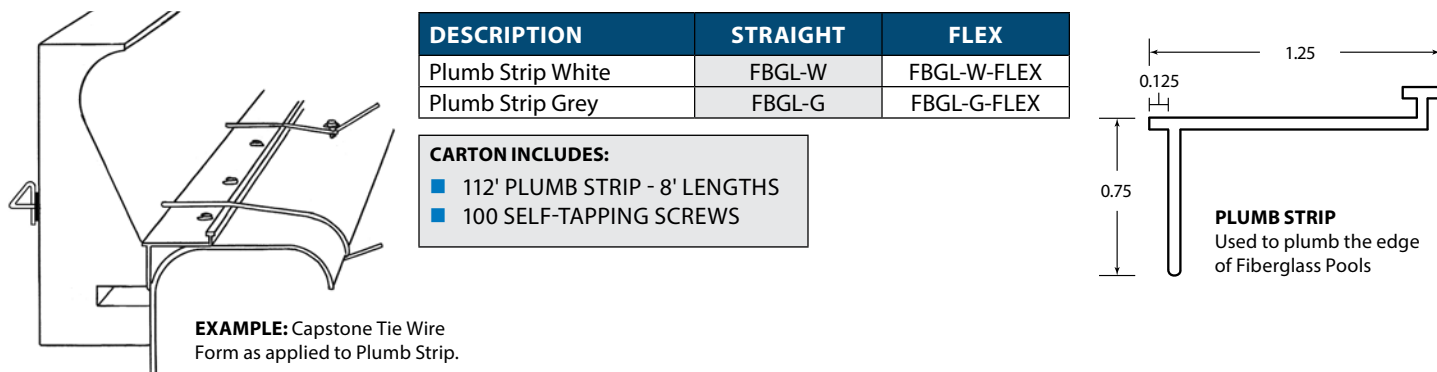
CARTON INCLUDES:

- 112' REMOVABLE PLUMB STRIP - 8' LENGTHS
- 100 SELF-TAPPING SCREWS
- 100 NEOPRENE WASHERS

PLUMB STRIP

Used to Square the Top Edge of Fiberglass Pools (Fiberglass)

Plumb Strips are PVC corner strips used to square the top edge of a fiberglass pool (one piece) in preparation for setting a Cantilever form. Plumb Strips are installed using the self-tapping screws provided. Flex Track is available. Tighter radii may be formed by adding additional relief cuts, making Plumb Strip adaptable to virtually any pool or step configuration.



DESCRIPTION	STRAIGHT	FLEX
Plumb Strip White	FBGL-W	FBGL-W-FLEX
Plumb Strip Grey	FBGL-G	FBGL-G-FLEX

CARTON INCLUDES:

- 112' PLUMB STRIP - 8' LENGTHS
- 100 SELF-TAPPING SCREWS

PLUMB STRIP
Used to plumb the edge of Fiberglass Pools

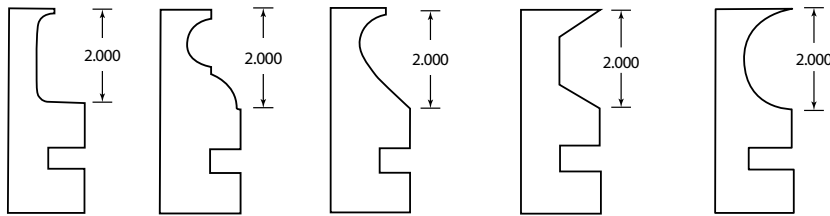
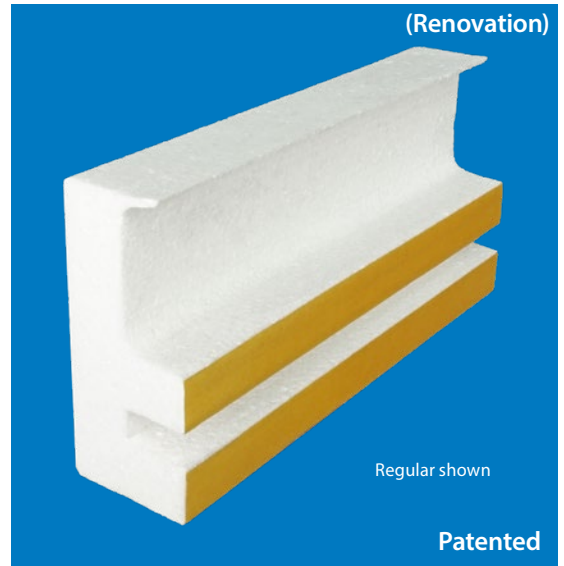
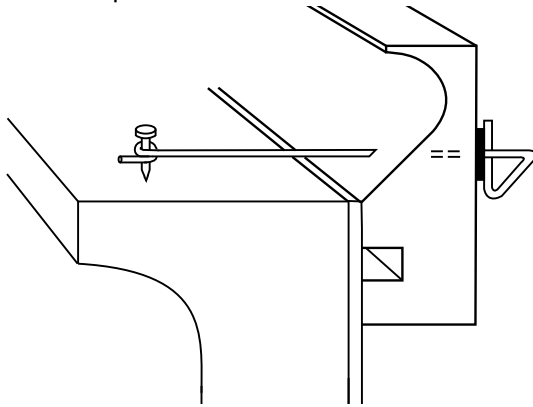
EXAMPLE: Capstone Tie Wire Form as applied to Plumb Strip.

DESCRIPTION	WHITE	GRAY
Regular Tie Wire w/ Plumb Strip	1CF912	1CF922
Regular Tie Wire w/ Plumb Strip Flex	1CF912-FLEX	1CF922-FLEX
Intermediate Tie Wire w/ Plumb Strip	2CF912	2CF922
Intermediate Tie Wire w/ Plumb Strip Flex	2CF912-FLEX	2CF922-FLEX
Capstone Tie Wire w/ Plumb Strip	9CF912	9CF922
Capstone Tie Wire w/ Plumb Strip Flex	9CF912-FLEX	9CF922-FLEX

"FLEX" PLUMB STRIP
allows for easy application on free formed pools.

RENOVATION FORMS

This form is used in remodel applications to replace out-of-date “old fashioned” coping stones. After removing the old coping, Renovation Forms attach to the ceramic tile using double faced tape (Tie Wires are included for extra support). These forms are also used in forming cast-on-site concrete countertops.

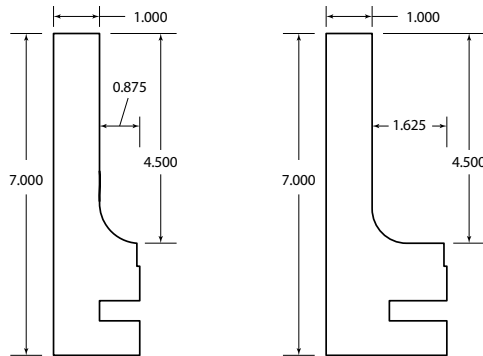
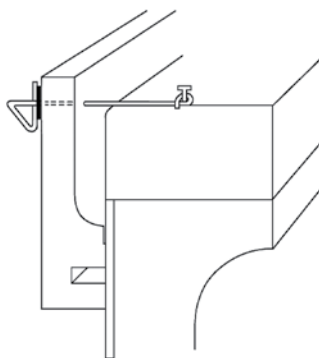


DESCRIPTION	Regular	OG	Capstone	Diamond Cut	Marble Round
PART #	5CF512	5CF612	5CF112	5CF812	5CF712

CARTON INCLUDES:
■ 112' RENOVATION FORMS
■ 1 TIE WIRE SIDE KIT

RESIN ROCK AND DEEP RESIN ROCK

This form is designed to be used when applying resin overlays to existing cantilever decks. The forms are lined with tape to prevent the solvent based overlays from dissolving the foam and to leave a smooth surface when removed.



DESCRIPTION	RESIN ROCK	DEEP RESIN ROCK
PART #	15CF999L	11CF999L

CARTON INCLUDES:	CARTON INCLUDES:
■ 112' RESIN ROCK FORM	■ 112' DEEP RESIN ROCK FORM
■ 1 TIE WIRE SIDE KIT	■ 1 TIE WIRE SIDE KIT

FOAM PROFILE EDGING TOOLS



Finishing or touching-up a Cantilever edge, Step Liner or Wall Cap profile is much easier now that we offer disposable Foam Profile Edging Tools.

This tape-on-form design provides a clean finishing surface that flexes with the foam allowing you to finish without leaving "chatter marks".

Foam Profile Edging Tools are available to fit the following shapes:

FORM SHAPE	PART #	FORM SHAPE	PART #
Regular	REG2	Fiber-Optic Capstone	CAPFI2
Capstone	CAP2	Clip-Loc Capstone	CAPCL2
Intermediate	INT2	Clip-Loc Regular	REGCL2
Commercial	COM2	Clip-Loc Intermediate	INTCL2
Sandstone	SAN2	Perm-A-Lite Capstone	CAPPE2
Og-Form	OGF2	Regular Wall Cap	REG2WC
Pool Cover	POO2	Mini-Cap Wall Cap	MC2WC
Pool Cover E	POOEL2	OG-400 Wall Cap	OG42WC
Renovation Capstone*	REN2	OG-600 Wall Cap	OG62WC
Renovation Marble Round*	RENMR2	Capstone Wall Cap	CAP2WC
Renovation Diamond Cut*	REND2	Commercial Step Liner	COMST2
Renovation OG*	RENOG2	Sandstone Step Liner	SANST2
Renovation Regular*	RENREG2	Intermediate Step Liner	INTST2
Deep Regular	DRG2	Regular Step Liner	REGST2
Deep Resin Rock	DRR2	Capstone Step Liner	CAPST2
Resin Rock	RR2	Safety Tread Step Liner	SAFST2
Stamp-A-Form	SAF2	OG Step Liner	OGST2

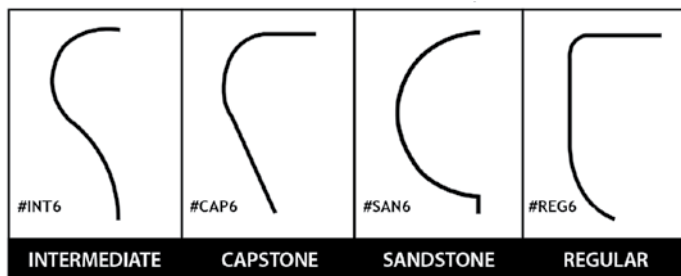
* Used for Renovation or Concrete Counter Top Forms.

PACKAGED 4 PER CARTON

STAINLESS STEEL TROWELS

Get a Handle on it with Stainless Steel Nose Tools by Stegmeier LLC

Anyone can now artistically trowel to these preformed shapes with confidence and speed. Contact your Stegmeier distributor and get a handle on it.



RENOVATION	PART #	WALL CAPS	PART #	STEP LINERS	PART #	POOL FORMS	PART #
Capstone	REN6	OG-400	OG4WC6	Intermediate	INTST6	Intermediate	INT6
Diamond Cut	REND6	Mini-Cap 300	MCWC6	Sandstone	SANST6	Commercial	COM6
Marble Round	RENMR6	Capstone 350	CAPWC6	Capstone	CAPST6	Sandstone	SAN6
				Regular	REGST6	Capstone	CAP6
						Regular	REG6

PACKAGED 1 PER CARTON

TOTAL EDGE TOOLS

This unique form edging tool not only leaves a clean crisp finish but also finishes the top edge well past the flash mark left by the concrete form.

DESCRIPTION	PART #
Renovation Capstone Total Edge Tool	RENCPT2
Renovation Diamond Cut Total Edge Tool	RENDCT2
Renovation Marble Round Total Edge Tool	RENMRT2
Renovation OG Total Edge Tool	RENOGT2
Renovation Regular Total Edge Tool	RENRGT2
Regular Form Total Edge Tool	REGTE2
Capstone Form Total Edge Tool	CAPTE2

PACKAGED 4 PER CARTON



TILE LEDGER BOARD

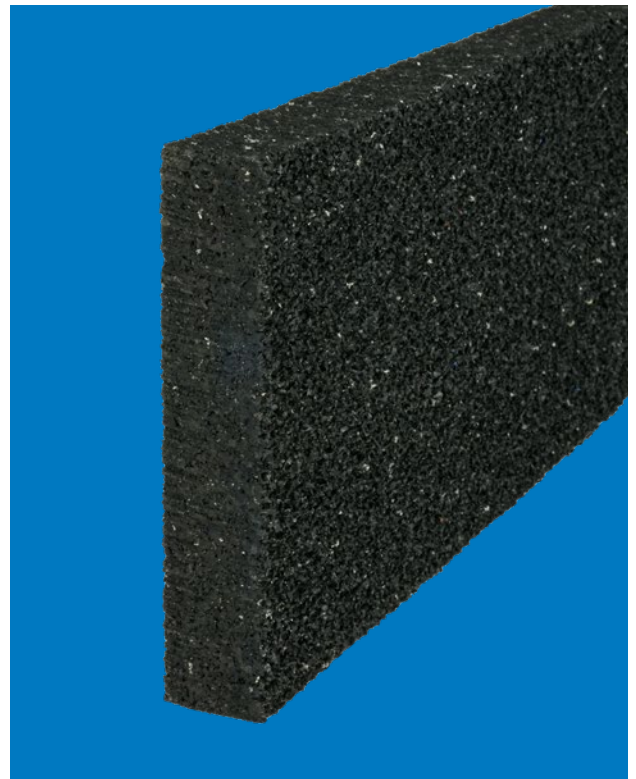
Tile Ledger Board is a reusable system that is used in setting perimeter tile on inground concrete pools. Because this product can be used for an entire season and more, Tile Ledger Board can be considered a “tool” rather than a material that has to be continuously reordered like other ledger materials.

- **REUSABLE**
- **NAIL HOLES** (pre-drilled)
- **FLEXIBLE YET RIGID**

Part# TLB-001

CARTON INCLUDES:

- PACKAGED 40' PER CARTON
(Size: 1" x 4" x 4')



Pre-drilled nail holes are spaced 12" on center.



Tile Ledger Board conforms to virtually any radius.

SLIP-N-JOIN LUMBER



Slip-N-Join Lumber is a reusable synthetic forming material that's ideal for producing free-form concrete designs that win awards in the swimming pool as well as the landscaping industry.

ECONOMY: Slip-N-Join Lumber, unlike plywood or masonite, is reusable making it more economical with each job. A light oil film is necessary for the first two uses.

TIME SAVING: Your forming crew will find Slip-N-Join Lumber a lightweight and easy to work with material. Less grade marks are necessary, as Slip-N-Join Lumber does not warp and tends to find its own elevation. The forms are connected by simply plugging into the couplers, eliminating the need for time-consuming splicing.

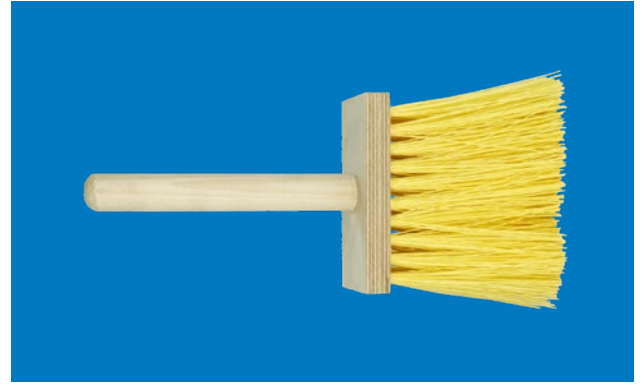


DESCRIPTION	PART #	SPECIFICATIONS	CONTENTS
Slip-N-Join Lumber (includes 12 couplers)	MS007	3/8" x 3-1/2" x 12'	144' per carton – 12' lengths
Couplers (3-5/8")	MS009	1/2" x 3-3/4" x 7-1/4"	12 per carton
Slip-N-Join Lumber (includes 6 couplers)	MS006	3/8" x 5-1/2" x 12'	72' per carton – 12' lengths
Couplers (5-1/2")	MS008	9/16" x 5-9/16" x 10"	6 per carton

DASH BRUSH

For application of Frontier Desert Deck

DESCRIPTION	PART #
12 Per Carton	TL001
4 Per Carton	TL001-4

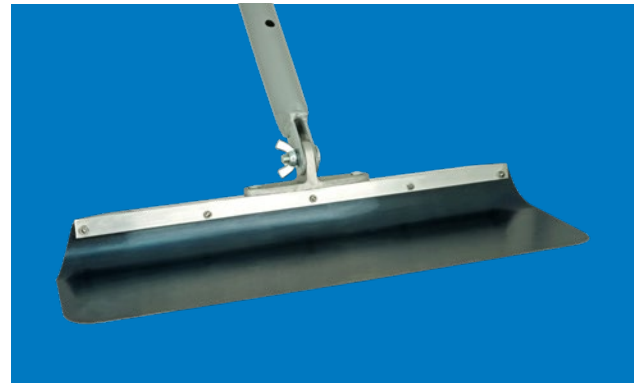


FRONTIER DESERT DECK WALKING TROWEL

This tool features a limber blade that is ideal for texturing Frontier Desert Deck. The texture is applied by lowering to the surface and applying a pulling motion. When attached to an extension handle, this tool extends the finishers reach up to 20 ft.

DESCRIPTION	PART #
18"	TL003
24"	TL004

PACKAGED 1 PER CARTON

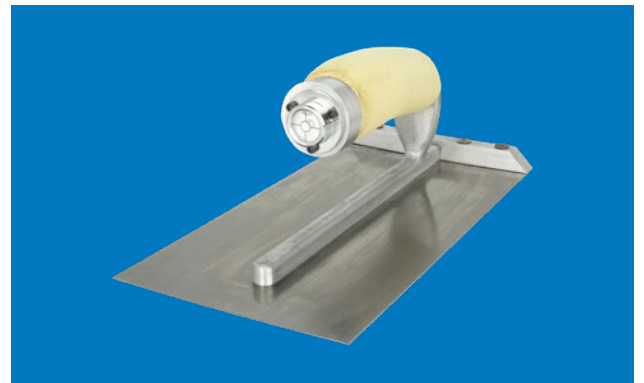


TILE TROWEL WITH LEVEL

This trowel is designed to be used in applying the bed mud to the top edge of a pool wall in preparation for setting the perimeter tile on a Gunitite pool. The handle mounted level allows the applicator to apply a true vertical surface while being positioned above the wall, avoiding the use of time consuming scaffolding. This specialty tool is popular with many production-minded tile contractors.

PART #
TS010

PACKAGED 1 PER CARTON



DUAL WALKING EDGER

This specialty tool edges the concrete on both sides of a control joint while wiping the top clean.

PART #
TL006

PACKAGED 1 PER CARTON



CHAMFER CLIPS

Vertical Surface Detail Molds (Wall Caps, Pool Forms, Step Liners)

Chamfer Clips are used to continue a deep jointer mark over the edge of the most detailed Stegmeier vertical surfaces. These reusable molds are pinned to the inside of the form with nails, painted with release agent (included) and are removed when the forms are stripped so the edge is ready to finish.



RENOVATION	PART #
Capstone*	REncP-CC-24
Marble Round*	REnMR-CC-24
Regular*	REnRG-CC-24

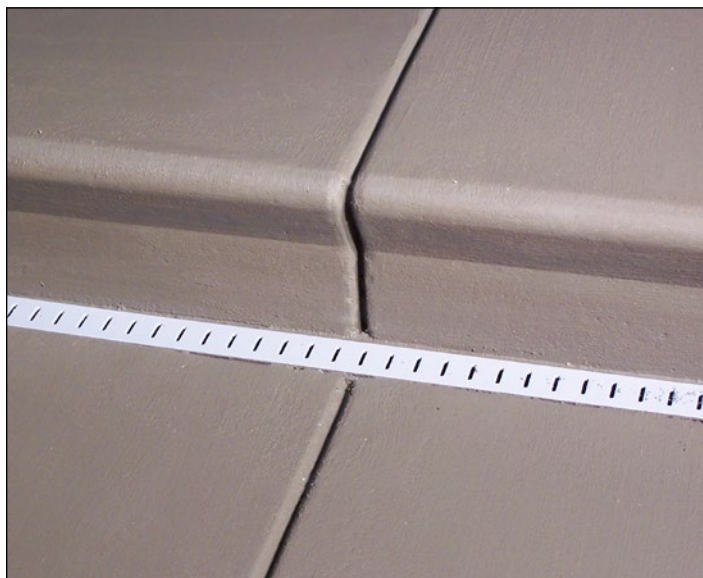
* Also used with Counter Top forms

WALL CAP	PART #
Mini-Cap "300"	MC3-CC-24
O-G "400"	OG4-CC-24
O-G "600"	OG6-CC-24
Regular-360	RG6-CC-24
Capstone-350	CP5-CC-24

POOLS	PART #
Regular	REG-CC-24
Capstone	CAP-CC-24
Sandstone	SAN-CC-24
OG	OG-CC-24
Intermediate	INT-CC-24
Pool Cover	POO-CC-24

STEP LINERS	PART #
Regular	REGST-CC-24
Capstone	CAPST-CC-24
Sandstone	SANST-CC-24
Intermediate	INTST-CC-24
Commercial	COMST-CC-24

PACKAGED 24 PER CARTON



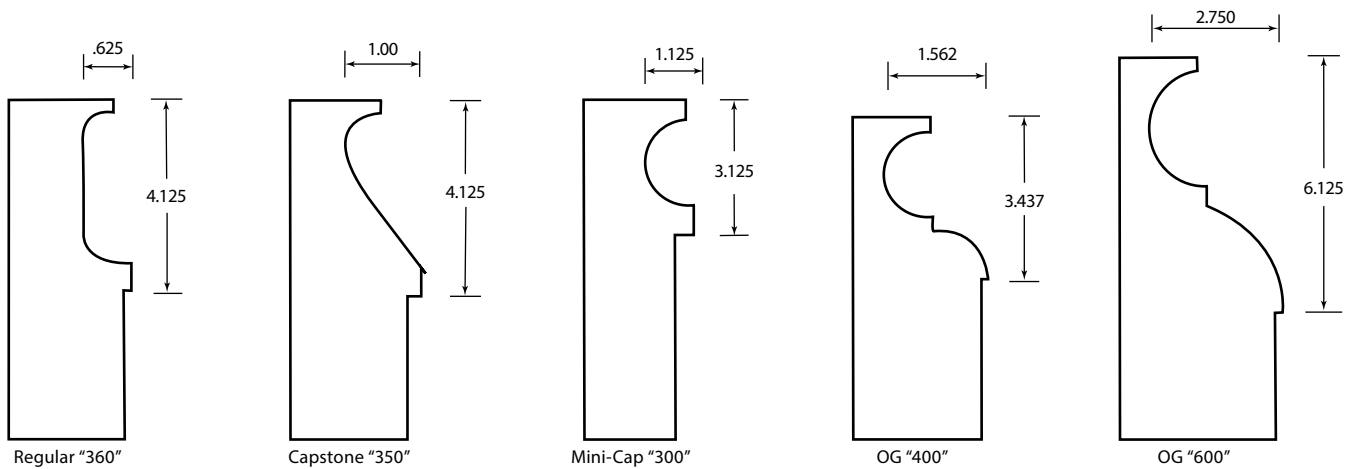
WALL CAP FORMS



Wall Cap Forms are used to pour concrete caps on block walls, glass block walls, planters and benches. Wall Cap Forms are made of foam, making them lightweight. They are held in place with reusable spring clamps. Wall Cap Forms are available in several classic profiles. They provide an affordable "Cast-in-Place" solution.

WALL CAP FORMS* (80' per carton)	WALL CAP PART #
Regular "360"	REG-360
Capstone "350"	CAP-350
Mini-Cap "300"	MC-300
OG "400"	OG-400
OG "600"	OG-600

PACKAGED 80' PER CARTON



SPRING CLAMPS

are designed to hold the forms securely yet be removed easily without damage to the wall surface



DESCRIPTION	PART #
Spring Clamps *	SPR-CLP

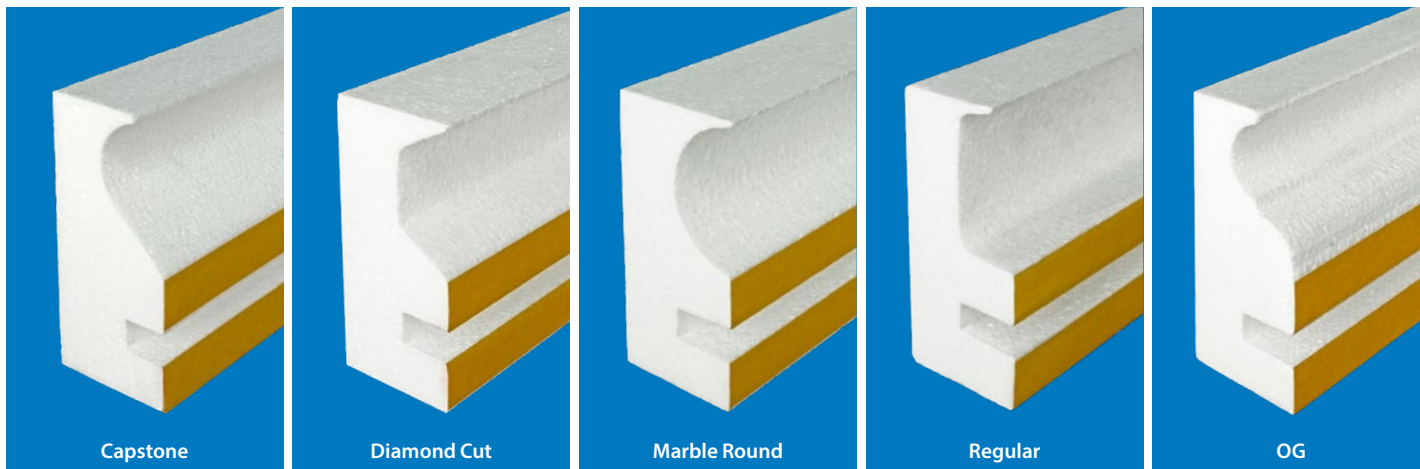
PACKAGED 10 PER CARTON

* Spring Clamps not included in form box

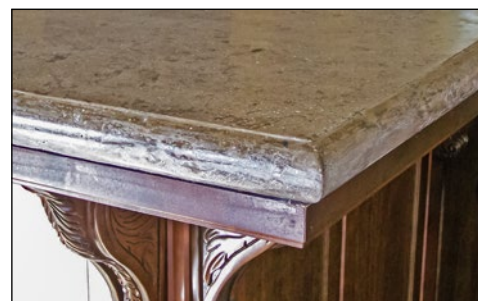
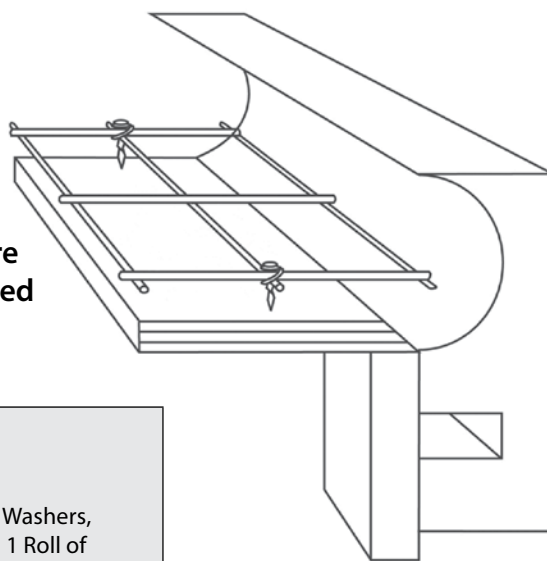
COUNTERTOP FORMS

For poured in place concrete countertops

Stegmeier's Countertop Forms are the answer to installing the popular counters found in many contemporary kitchens, baths and commercial sites such as restaurants and bars. These short 2" thick profiles are the perfect height for most applications and can be shaped or mitered to any angle.

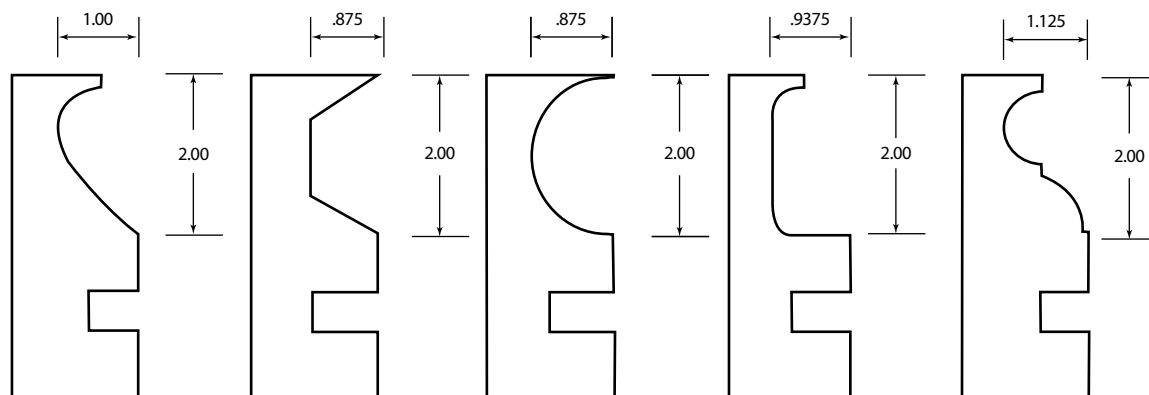


Countertop Forms have a smooth even texture allowing them to be stripped early while there is ample time for finishing.



CARTON INCLUDES:

- 32' COUNTERTOP FORMS
- 1 COUNTERTOP SIDE KIT (25 Tie Wires, 25 Wood Screws, Washers, 1 Foam Profile Edging Tool and 1 Roll of Bending Tape)



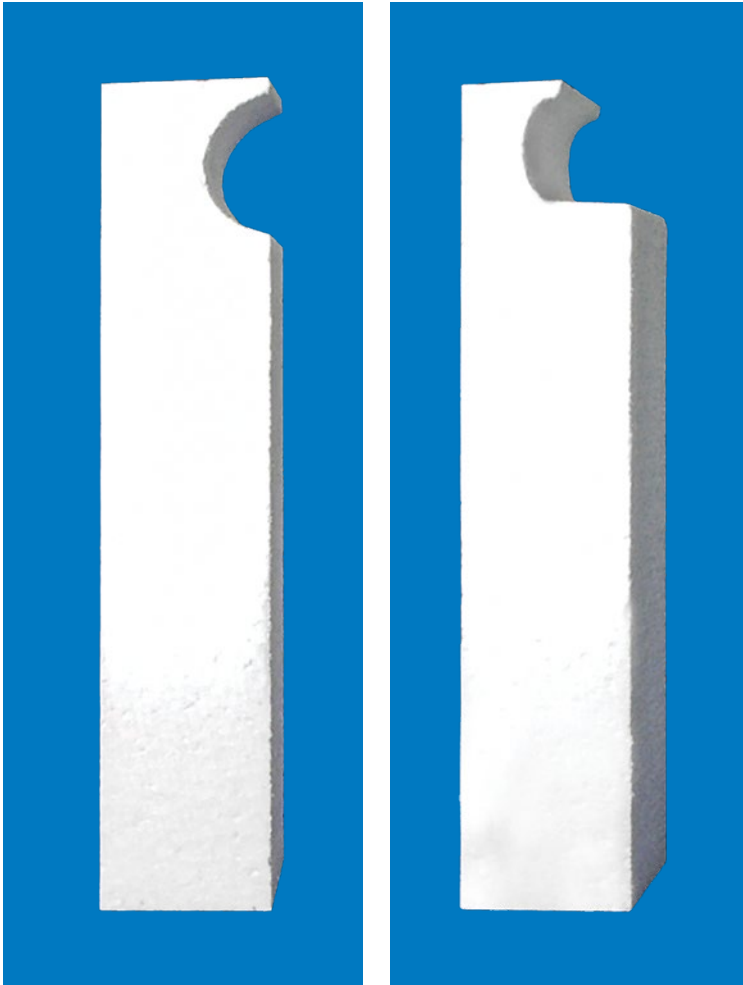
DESCRIPTION	CAPSTONE	DIAMOND CUT	MARBLE ROUND	REGULAR	OG
PART #	CTF-32-CS	CTF-32-DC	CTF-32-MR	CTF-32-RG	CTF-32-OG

If 3 1/2" thick counters are desired see Pool Forms.

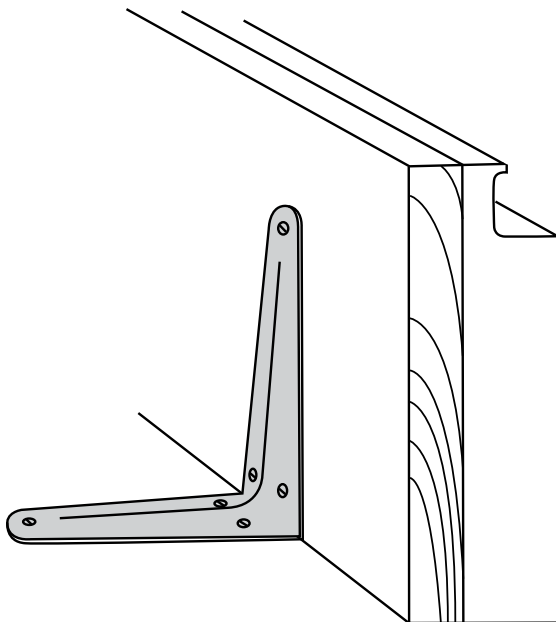
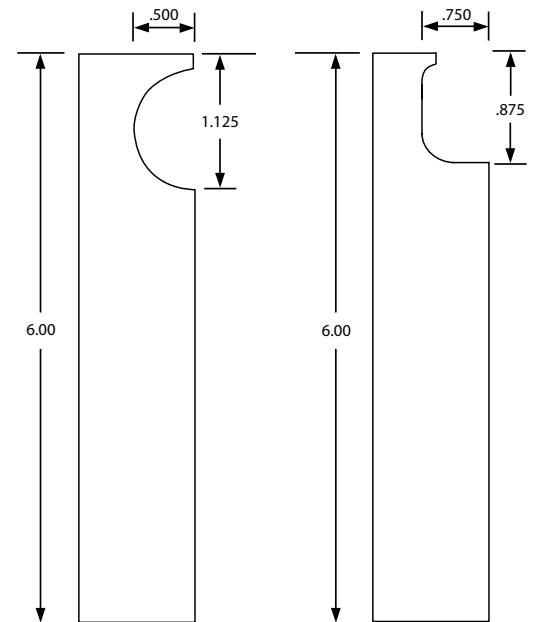
BACKSPLASH FORMS

For poured in place Concrete Backsplashes

Now you can have “poured in place” backsplashes. Just attach a Backsplash Form to a six-inch piece of lumber using spray adhesive and fasten the lumber to the wood deck using six-inch shelving brackets. Then adjust the backsplash to desired depth.



NOTE: Pour before Countertop



DESCRIPTION	MARBLE ROUND	REGULAR
PART #	BS-32-MR	BS-32-RG

CARTON INCLUDES:

- 32' BACKSPLASH FORMS

STEP LINERS

AFFORDABLE, LABOR SAVING, BEAUTIFUL RESULTS



**AVAILABLE
IN 8' OR 4'
LENGTHS**
4' lengths can be
shipped UPS

Step Liners are a flexible foam step liner used to produce architectural profiles when pouring concrete steps. These labor saving forms are attached to the inside of the wood forms using spray adhesive or nails. Radius steps may be formed by attaching Step Liners to Slip-N-Join Lumber (a reusable plastic bender board by Stegmeier LLC). Break-away slots allow for three (3) riser heights. Step Liners may be stripped and finished much earlier than conventional forms.

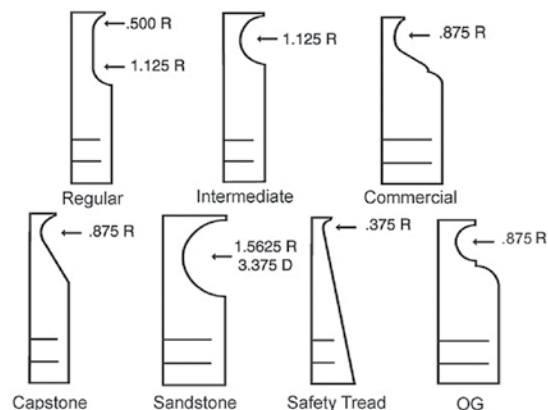
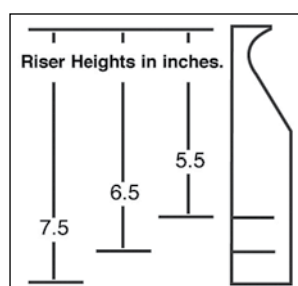
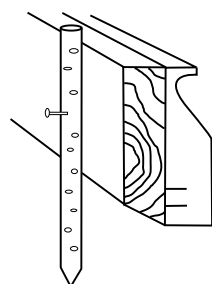


Use spray adhesive or nails to attach.



Foam Profile Tools Available.

DESCRIPTION	LENGTH	PART #	QUANTITY
Regular	4'	1STP40	40 LF
Regular	8'	1STP80	80 LF
Intermediate	4'	2STP40	40 LF
Intermediate	8'	2STP80	80 LF
Commercial	4'	3STP24	24 LF
Commercial	8'	3STP48	48 LF
Capstone	4'	9STP40	40 LF
Capstone	8'	9STP80	80 LF
Sandstone	4'	17STP40	28 LF
Sandstone	8'	17STP80	56 LF
Safety Tread	4'	19STP40	40 LF
Safety Tread	8'	19STP80	80 LF
OG	4'	20STP24	24 LF
OG	8'	20STP48	48 LF



FRONTIER POLI-VOID

Flexible Expansion Joint Material System

Frontier Poli-Void by Stegmeier LLC is available in three heights: 1-1/2", 3" and 4" with 3/8" perforated tear strip.

FRONTIER POLI-VOID INSTRUCTIONS:

To determine the size needed, check the coping. If you have just the depth of the coping, use the one and one-half inch. If the bond beam is notched or goes straight down from the bottom of the coping, use the three inch.

With the 3/8" tear strip in an upward position, apply spray adhesive one-half inch below the tear strip section so as not to interfere with the bonding of the joint sealant. The concrete is poured to the opposite side and edged with 1/4" edge. The deck (surface) should be allowed to cure before the 3/8" tear strip is removed and the Boss Joint Sealant is applied.



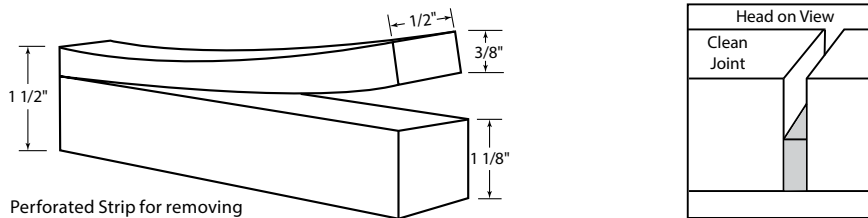
COMPRESSION, psi
at 10% deflection - less than 10
at 80% deflection - less than 125

MOISTURE VAPOR PERMEABILITY
perm inches - less than 0.4

WATER ABSORPTION
% volume - less than 0.5

DENSITY
Pounds/ft. 3 - 2.4 - 2.8

TEMPERATURE STABILITY
-18° to 150°

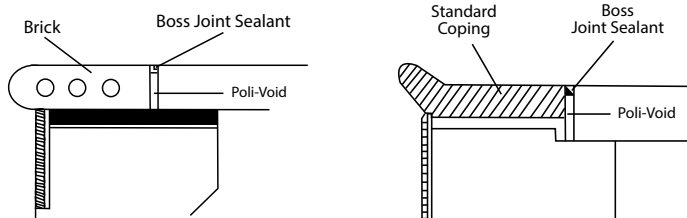


SIZES AVAILABLE	RLS PER BUNDLE	PART# PACKAGE OPTIONS		RLS PER BUNDLE	PART# PACKAGE OPTIONS
		Corrugated	Plastic Bag		
1/4" x 1 1/2" x 120'	32	PV11B	PV11B-BAG	8	PV11B-BAG-4
1/4" x 3" x 120'	16	PV12B	PV12B-BAG	4	PV12B-BAG-4
1/2" x 1 1/2" x 60'	32	PV13B	PV13B-BAG	8	PV13B-BAG-4
1/2" x 3" x 60'	16	PV14B	PV14B-BAG	4	PV14B-BAG-4
1/4" x 4" x 120'	12	PV15B	PV15B-BAG	4	PV15B-BAG-4
1/2" x 4" x 60'	12	PV16B	PV16B-BAG	4	PV16B-BAG-4

BOSS® JOINT SEALANT

Self Leveling, One Part Silicone Joint Sealant

Boss Joint Sealant cures to a firm, flexible silicone rubber that is UV resistant and adheres to concrete, brick, masonry, wood, glass, vinyl and most plastics.



DESCRIPTION	PART #
White	BJS629W
Tan	BJS629T
Grey	BJS629G

CARTON INCLUDES:
■ 6 29 OZ. SEALANT TUBES

WIDTH	DEPTH							
	1/8"	1/4"	3/8"	1/2"	5/8"	3/4"	7/8"	1"
1/8"	279'	139'	93'	69'	56'	46'	40'	35'
1/4"		70'	46'	35'	28'	23'	20'	17'
3/8"			31'	23'	18'	15'	13'	11'
1/2"				17'	14'	11'	10'	9'
5/8"					11'	9'	8'	7'
3/4"						8'	6'	6'
7/8"							5'	5'
1"								4'

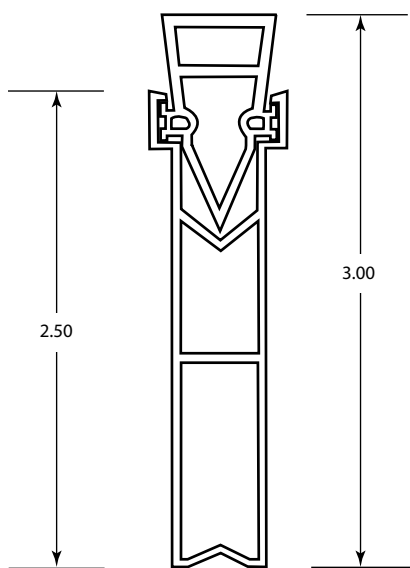
Chart shows approximate lineal ft. of coverage per 29 oz. tube.



RIGID HOLD

When preset expansions are the answer.

Rigid Hold is a full-expansion base that is used in presetting either Frontier Deck Joint or Rigid Deck Joint. With expansion joint snapped in place, Rigid Hold measures a full three inches in height.



Joint not included

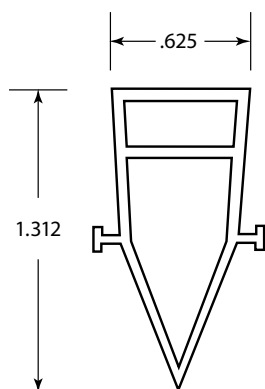
PART#

RJH2

PACKAGED 240' PER CARTON IN 12' LENGTHS

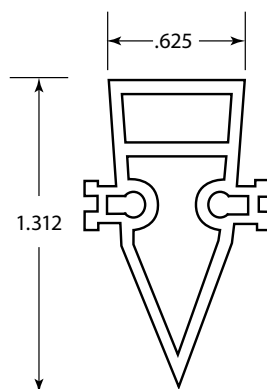


FRONTIER DECK JOINT



Frontier Deck Joint provides the necessary crack control, but not so deep as to interfere with steel placement. In addition to control, it adds a beautiful finished look. It is cost effective, durable and easy to install. With the "T" member ears embedded in concrete, surface water seepage is kept from subsoil.

RIGID DECK JOINT



Rigid PVC control joint to be used in exterior patios, driveways, pool decks or wherever less flexibility is desired to assure straight lines in decking. The 5/8" x 1-5/16" control joint is deep enough to produce required crack control, but not so deep as to interfere with steel placement.

DESCRIPTION	PART #
Black	SDJIB
Grey	SDJIG
Tan	SDJIT
White	SDJIW

PACKAGED 240' PER CASE
IN 12' LENGTHS WITH
PROTECTIVE TAPE ON TOP

For full expansion joint control, use with Rigid Hold.

DESCRIPTION	PART #
Black	RDJIB
Grey	RDJIG
Tan	RDJIT
White	RDJIW

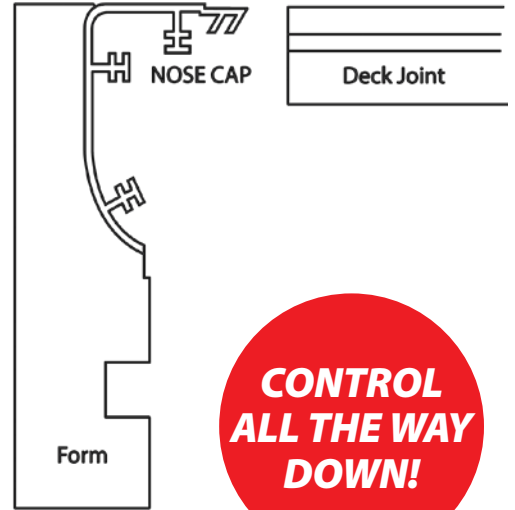
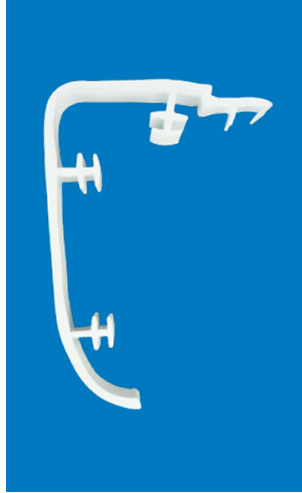
PACKAGED 240' PER CASE
IN 12' LENGTHS WITH
PROTECTIVE TAPE ON TOP

For full expansion joint control, use with Rigid Hold.

FRONTIER NOSE CAPS

Control the joint all the way down

Frontier Nose Caps are designed to allow the control joint to run smoothly down the face to the tile or pool wall.



CARTON INCLUDES 100 PIECES

DESCRIPTION	WHITE	TAN	GRAY
Regular	1NC1	1NC3	1NC6
Capstone	9NC1	9NC3	9NC6
Intermediate	2NC1	2NC3	2NC6
Commercial	3NC1	3NC3	3NC6
Pool Cover & Stamp-A-Form	4NC1	4NC3	4NC6
Child Safety Grip	CSGNC1	CSGNC3	
Sandstone	17NC1	17NC3	

Peel the paper off the tape. Press the nose cap to the form where you would like a joint. Insert the nose cap flange into the Deck Joint.

DECK DRAIN

Stegmeier LLC Deck Drain is an extruded PVC drain that comes with connecting couplers and is designed to be set level. This drain is commonly used in pool decks, patios and other pedestrian traffic areas. Deck Drain is easy to install by staking on grade (no trenching required) and has a full .100" thickness top for durability.

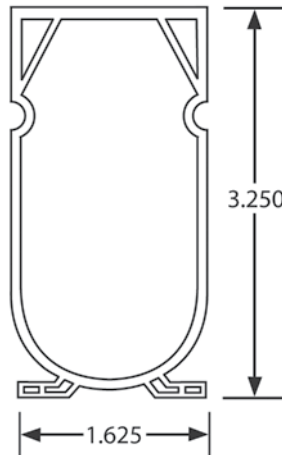
DESCRIPTION	PART #
White *	D2W
Grey *	D2G
Tan *	D2T
Black *	D2B

THIS DRAIN IS PACKAGED IN 10' LENGTHS WITH PROTECTIVE TAPE ON THE TOP SURFACE.

* Maximum Flow Rate: 7.3 gal. per minute per foot.

CARTON INCLUDES:

- 8 10' DECK DRAIN
- 8 COUPLERS
- 4 END ADAPTERS



Patented

A full range of fittings are available. See Page 34.

CHANNEL DRAIN

Channel Drain has an attractive dual channel top that reduces water pass-over. Channel Drain is an extruded PVC drain that comes with connecting couplers and is designed to be set level. This drain is commonly used in pool decks, patios and other pedestrian traffic areas. Channel Drain is easy to install by staking on grade (no trenching required) and has a full .100" thickness top for durability.

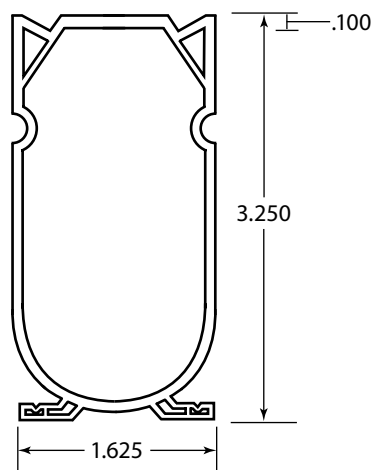
DESCRIPTION		PART #
White	*	CD3W
Grey	*	CD3G
Tan	*	CD3T
Black	*	CD3B

THIS DRAIN IS PACKAGED IN 10' LENGTHS WITH PROTECTIVE TAPE ON THE TOP SURFACE.

* Maximum Flow Rate: 8.1 gal. per minute per foot.

CARTON INCLUDES:

- 8 10' CHANNEL DRAIN
- 8 COUPLERS
- 4 END ADAPTERS



Patented

A full range of fittings are available. See Page 34.

SUPER DRAIN

Super Drain is a technically superior round drain designed for maximum flow capacity, durability and ease of installation. Super Drain features a nailing guide which also acts as a true water seal against moisture transfer to the subsoil. A full range of non-directional fittings, adapters and end clips are available. Because Super Drain fits flush on both sides, it stakes more securely (no more roll over).

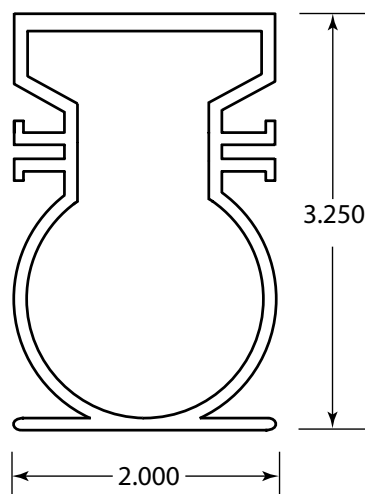
DESCRIPTION		PART #
Grey	*	SRG
Tan	*	SRT
White	*	SRW

THIS DRAIN IS PACKAGED IN 10' LENGTHS WITH PROTECTIVE TAPE ON THE TOP SURFACE.

* Maximum Flow Rate: 8.8 gal. per minute per foot.

CARTON INCLUDES:

- 8 10' SUPER DRAIN
- 8 COUPLERS
- 4 END ADAPTERS



Patented

A full range of fittings are available. See Page 35.

FRONTIER DECK DRAIN

Removable Top Drain

Frontier Deck Drain is a removable top drain that features a double-wall base and snap-in top (PVC). When installing this drain, the tops are staggered past the joints making the joints very rigid. Because the tops are removable, this drain is easy to clean and the tops can be replaced if ever damaged. Frontier Deck Drain is used in many residential and commercial swimming pools, patios and other pedestrian areas.

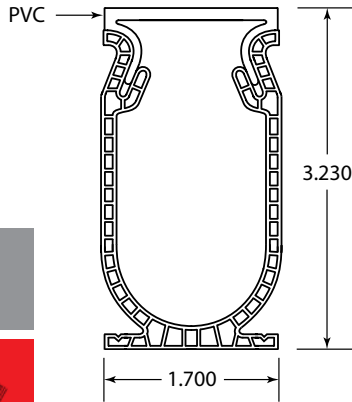
CARTON INCLUDES:

- 8 10' BASE
- 8 10' TOP CAP
- 8 COUPLERS
- 4 END ADAPTERS

A full range of fittings are available. See Page 36.

THIS DRAIN IS PACKAGED 80' PER CARTON IN 10' LENGTHS WITH PROTECTIVE TAPE ON THE TOP SURFACE.

! This drain is not designed to be used as a full expansion. Stegmeier LLC requires that a Drain Dowel be placed every 36", midway in the drain to prevent damage due to concrete deck movement.



Patented

DESCRIPTION	WHITE	TAN	GREY	BLACK	MARBLE
Frontier Deck Drain *	SDDW	SDDT	SDDG	Sddb	SDDM
Top Cap Only	SDD-TCW-80	SDD-TCT-80	SDD-TCG-80	SDD-TCB-80	SDD-TCM-80
Base Only	BASE				

* Maximum Flow Rate: 9.3 gal. per minute per foot.

See page 45 for Installation Drain Dowels.

TREADMASTER COMMERCIAL

Aluminum Top Drain

Treadmaster Commercial Deck Drain is a removable top drain that features an Aluminum top. This product also features a double-wall base and a snap-in top. When installing this drain the tops are staggered past the joints making the joints very rigid. Because the Aluminum tops are removable, this drain is easy to clean and the tops can be replaced if ever damaged. Treadmaster Commercial is used on many commercial swimming pools, fitness centers and other pedestrian traffic areas.

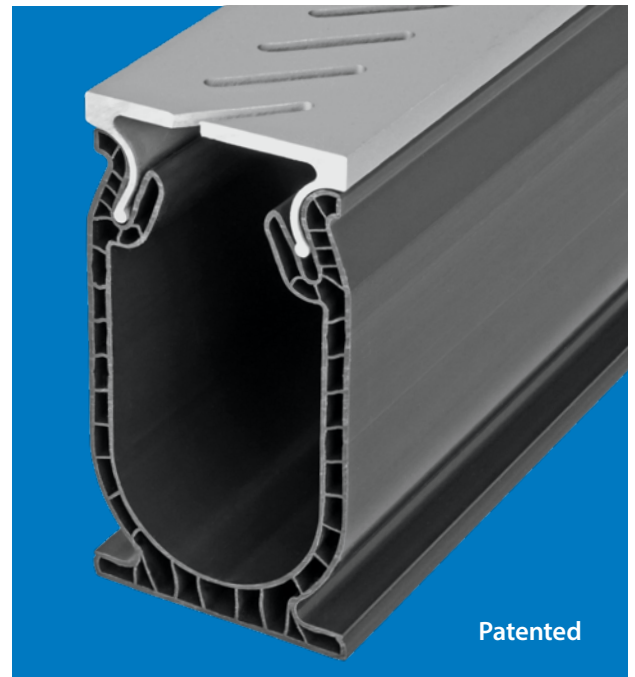
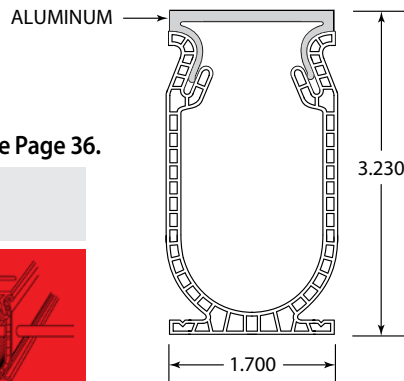
CARTON INCLUDES:

- 1 10' ALUMINUM TOP CAP
- 1 10' BASE
- 1 COUPLER

A full range of fittings are available. See Page 36.

See page 45 for Installation Drain Dowels.

! This drain is not designed to be used as a full expansion. Stegmeier LLC requires that a Drain Dowel be placed every 36", midway in the drain to prevent damage due to concrete deck movement.



Patented

DESCRIPTION	CLEAR	ALMOND	WHITE	BRONZE	COPPER
TREADMASTER *	ALD-C	ALD-A	ALD-W	ALD-BZ	ALD-LC
TOP CAP ONLY	ALD-C-NB	ALD-A-NB	ALD-W-NB	ALD-BZ-NB	ALD-LC-NB
BASE ONLY**	BASE	**PACKAGED 80' PER CTN			

* Maximum Flow Rate: 9.3 gal. per minute per foot.

THIS DRAIN IS PACKAGED IN 10' LENGTHS WITH PROTECTIVE TAPE ON THE TOP SURFACE.

Aluminum top drains are recommended in high temperature surface areas or excessive reflective surface areas around windows, doors, etc.

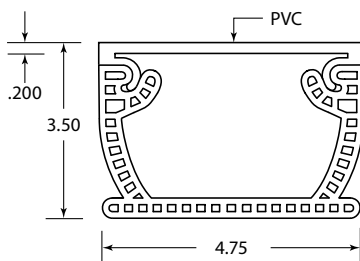
FLOWMASTER COMMERCIAL DECK DRAIN

Flowmaster Commercial is a 4" removable top drain that features a double wall base and a snap in top (PVC). When installing this drain the tops are staggered past the joints making the joints very rigid. Because the Flowmaster Commercial Deck Drain tops are removable, this drain is easy to clean and the tops can be replaced if ever damaged. Flowmaster Commercial Deck Drain is used on many commercial swimming pools, patios and other areas where large amounts of water need to be removed.

CARTON INCLUDES:

- 4 10' BASE
- 4 10' TOP CAP
- 4 COUPLERS

A full range of fittings are available.
See Page 36.



! This drain is not designed to be used as a full expansion. Stegmeier LLC requires that a Drain Dowel be placed every 36", midway in the drain to prevent damage due to concrete deck movement.



See page 45 for
Installation
Drain Dowels.

THIS DRAIN IS PACKAGED 40' PER CARTON

DESCRIPTION	WHITE	TAN	GREY
Flowmaster *	FMW	FMT	FMG
Top Cap Only	FM-TCW	FM-TCT	FM-TCG
Base Only	FM-BASE		

* Maximum Flow Rate: 83.0 gal. per minute per foot.



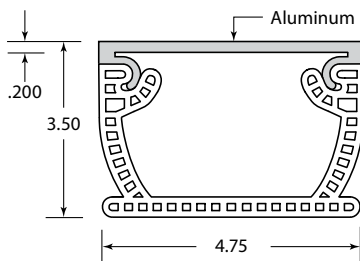
FLOWMASTER A/T

Flowmaster A/T's wide design is ideal for commercial use or other applications that require a durable drain able to remove large quantities of surface water. Flowmaster A/T features a snap-on, removable cap for easy cleaning and secure foot for easy installation. It also comes in workable 10 foot lengths with five "aluminum" finishes to choose from.

CARTON INCLUDES:

- 1 10' BASE
- 1 10' TOP CAP
- 1 COUPLER

A full range of fittings are available.
See Page 36.



! This drain is not designed to be used as a full expansion. Stegmeier LLC requires that a Drain Dowel be placed every 36", midway in the drain to prevent damage due to concrete deck movement.



See page 45 for
Installation
Drain Dowels.



DESCRIPTION	CLEAR	ALMOND	WHITE	BRONZE	COPPER
Flowmaster A/T *	FLO-AT 4.5 C	FLO-AT 4.5 A	FLO-AT 4.5 W	FLO-AT 4.5 BZ	FLO-AT 4.5 LC
Top Cap Only	FLO-AT 4.5 C-NB	FLO-AT 4.5 A-NB	FLO-AT 4.5 W-NB	FLO-AT 4.5 BZ-NB	FLO-AT 4.5 LC-NB
Base Only**	FM-BASE				

* Maximum Flow Rate: 83.0 gal. per minute per foot. ** PACKAGED 40 FT. PER CTN

Aluminum top drains are recommended in high temperature surface areas or excessive reflective surface areas around windows, doors, etc.

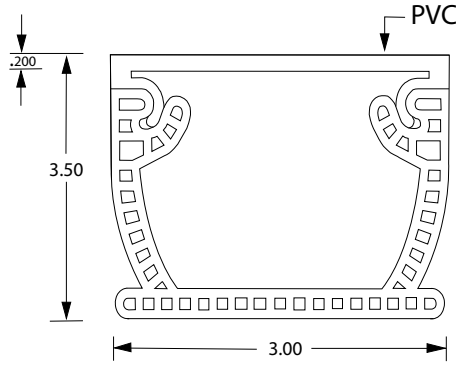
FLOWMASTER 3 COMMERCIAL DECK DRAIN

Flowmaster 3 Commercial is a 3" removable top drain that features a double wall base and a snap in top (PVC). When installing this drain the tops are staggered past the joints making the joints very rigid. Because the Flowmaster 3 Commercial Deck Drain tops are removable, this drain is easy to clean and the tops can be replaced if necessary. Flowmaster 3 Commercial Deck Drain is used on many commercial swimming pools, patios and other areas where large amounts of water need to be removed.



Patented

! This drain is not designed to be used as a full expansion. Stegmeier LLC requires that a Drain Dowel be placed every 36", midway in the drain to prevent damage due to concrete deck movement.



A full range of fittings are available. See Page 36.

See page 45 for Installation Drain Dowels.

THIS DRAIN IS PACKAGED 40' PER CARTON

- CARTON INCLUDES:**
- 4 10' BASE
 - 4 10' TOP CAP
 - 4 COUPLERS

DESCRIPTION	WHITE	TAN	GREY
Flowmaster 3 *	FM3W	FM3T	FM3G
Top Cap Only	FM3-TCW	FM3-TCT	FM3-TCG
Base Only	FM3-BASE		

* Maximum Flow Rate: 44.6 gal. per minute per foot.

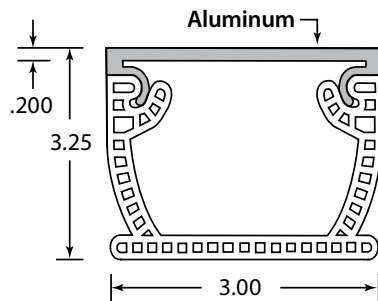
FLOWMASTER 3 A/T DECK DRAIN

Flowmaster 3 A/T is a 3" removable top drain that features a double wall base and a snap in top (Aluminum). When installing this drain the tops are staggered past the joints making the joints very rigid. Because the Flowmaster 3 A/T Deck Drain tops are removable, this drain is easy to clean and the tops can be replaced if necessary. Flowmaster 3 A/T Deck Drain is used on many commercial swimming pools, patios and other areas where large amounts of water need to be removed.



Patented

! This drain is not designed to be used as a full expansion. Stegmeier LLC requires that a Drain Dowel be placed every 36", midway in the drain to prevent damage due to concrete deck movement.



A full range of fittings are available. See Page 36

See page 45 for Installation Drain Dowels.

- CARTON INCLUDES:**
- 1 10' BASE
 - 1 10' ALUMINUM TOP CAP
 - 1 COUPLER

DESCRIPTION	ALMOND	CLEAR	WHITE	BRONZE	COPPER
Flowmaster 3 A/T *	FLO-AT3A	FLO-AT3C	FLO-AT3W	FLO-AT3BZ	FLO-AT3LC
Top Cap Only	FLO-AT3A-NB	FLO-AT3C-NB	FLO-AT3W-NB	FLO-AT3BZ-NB	FLO-AT3LC-NB
Base Only**	FM3-BASE				

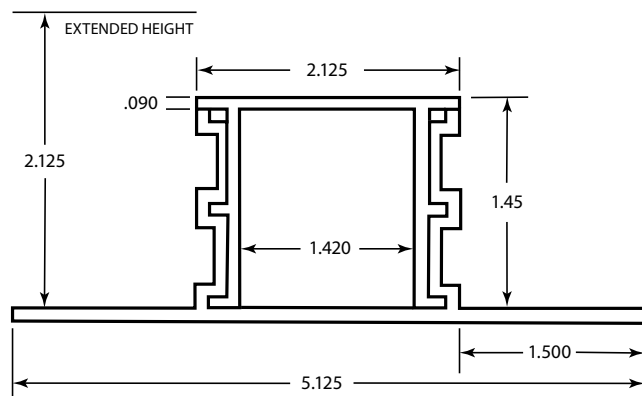
* Maximum Flow Rate: 44.6 gal. per minute per foot. ** PACKAGED 40 FT. PER CTN

Aluminum top drains are recommended in high temperature surface areas or excessive reflective surface areas around windows, doors, etc.

ADJUSTABLE HEIGHT PAVER DRAIN

The Adjustable Height Paver Drain is a dual-elevation deck drain system used for the installation of paver decks. This unique design features a top cap that can be lapped past the joints for rigidity as well as a tray built into the base to set the pavers on.

A full range of fittings are available. See Page 35.



THIS DRAIN IS PACKAGED 80' PER CARTON

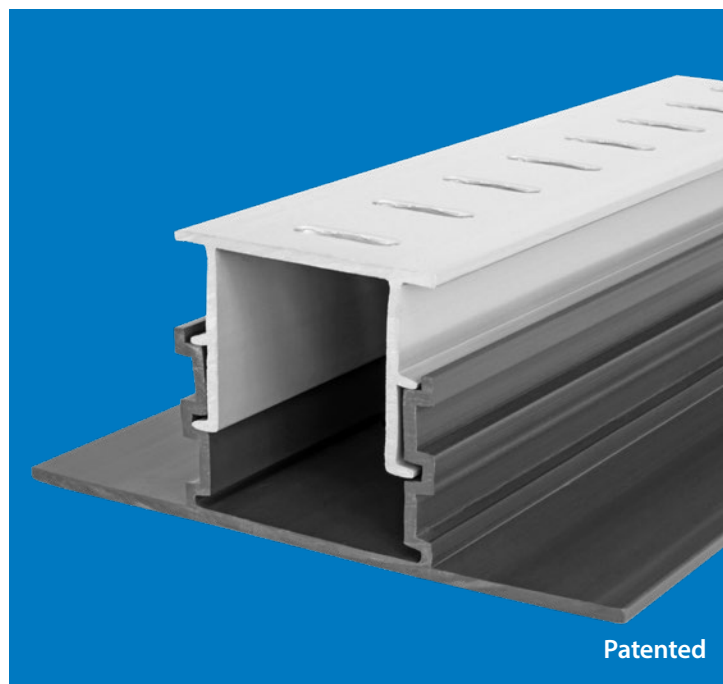
DESCRIPTION	GREY	MARBLE	TAN	WHITE
Adjustable Height Paver Drain *	PD2G	PD2M	PD2T	PD2W
Top Cap Only	PD-TCG-80	PD-TCM-80	PD-TCT-80	PD-TCW-80
Base Only *	PD-BASE			

* Maximum Flow Rate
5.8 gal - High
3.7 gal - Low
per minute per foot

CARTON INCLUDES:

- 8 10' BASE
- 8 10' TOP CAPS
- 8 COUPLERS

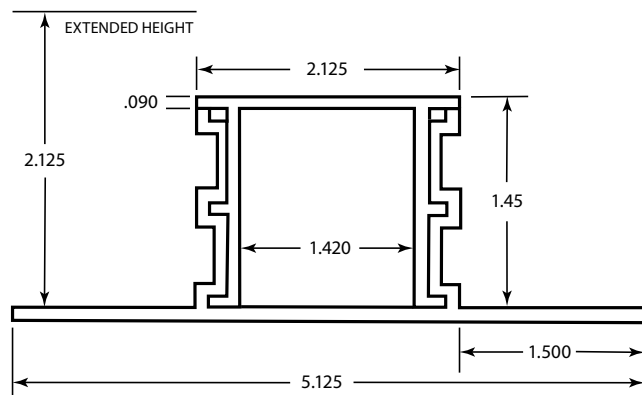
Aluminum top drains are recommended in high temperature surface areas or excessive reflective surface areas around windows, doors, etc.



PAVER DRAIN A/T

Paver Drain A/T is a dual-elevation deck drain system with an aluminum top cap used for installation of paver decks.

A full range of fittings are available. See Page 35.



DESCRIPTION	PART #
Clear *	PD-ATC
Clear (without base)	PD-ATC-NB

* Maximum Flow Rate
5.8 gal - High
3.7 gal - Low
per minute per foot

CARTON INCLUDES:

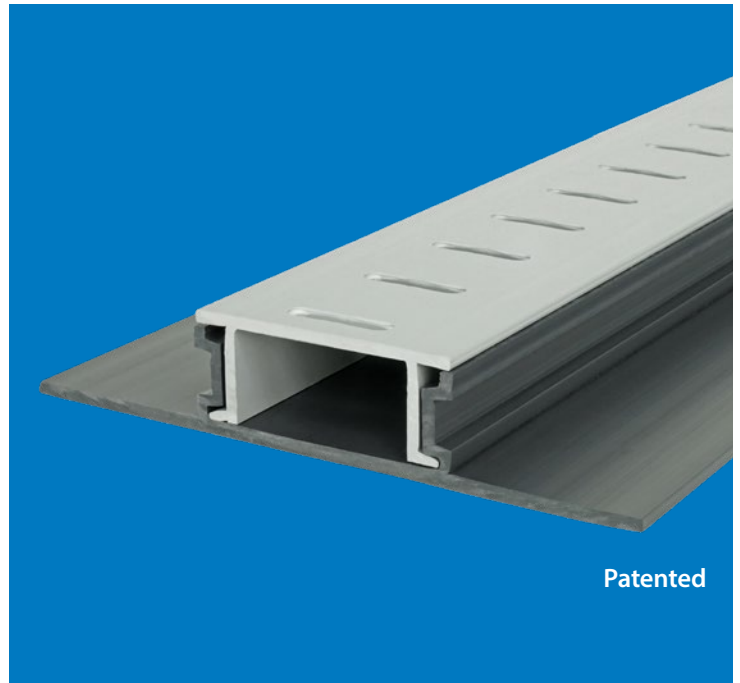
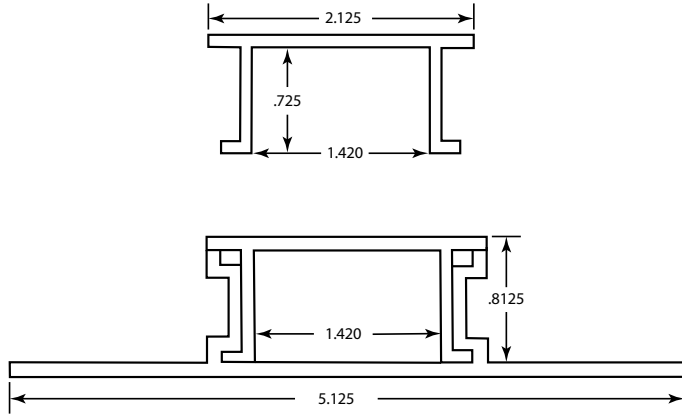
- 1 10' BASE
- 1 10' TOP CAP
- 1 COUPLER

Aluminum top drains are recommended in high temperature surface areas or excessive reflective surface areas around windows, doors, etc.

MINI PAVER DRAIN

The Mini Paver Drain is designed to be used when 1" thick pavers are installed on an existing surface. The extended base goes under the surrounding pavers to ensure a stable installation.

A full range of fittings are available. See Page 35.



DESCRIPTION	GREY	MARBLE	TAN	WHITE
Mini Paver Drain *	MP2G	MP2M	MP2T	MP2W

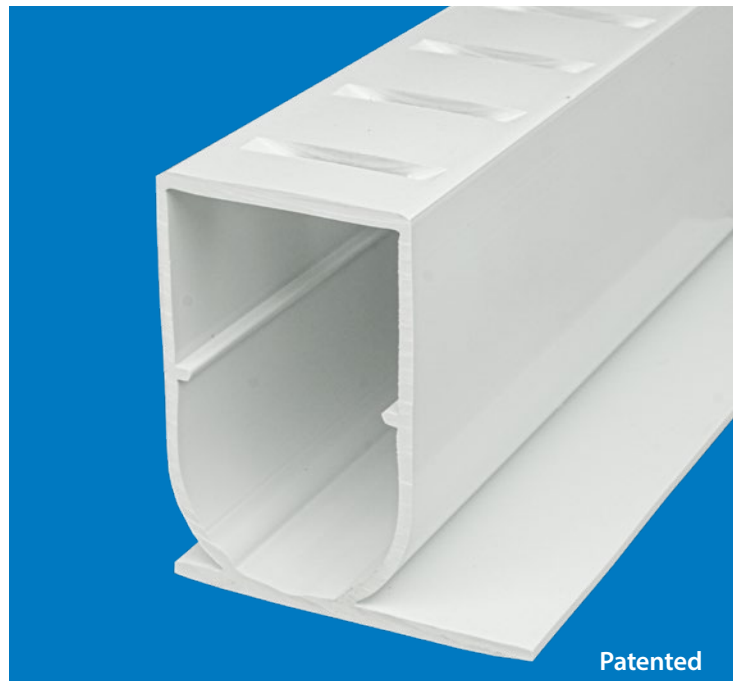
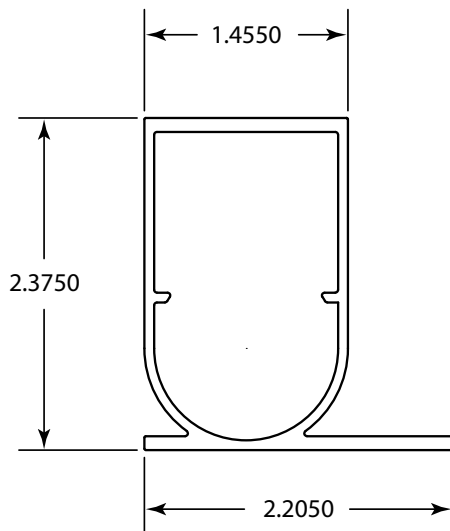
* Maximum Flow Rate: 1.7 gal. per minute per foot.

- CARTON INCLUDES:**
- 8 10' BASE
 - 8 10' TOP CAPS
 - 8 COUPLERS

PAVER DRAIN PRO

Paver Drain Pro is a one-piece PVC extruded drain designed to provide surface water drainage on paver decks. This drain accommodates most 60mm or 2 3/8" pavers.

A full range of fittings are available. See page 35.



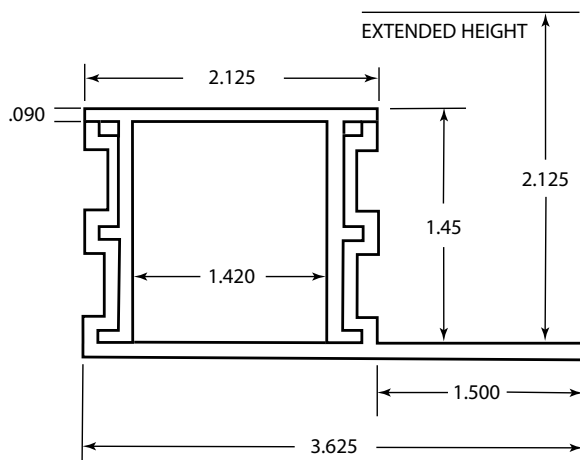
DESCRIPTION	WHITE	GREY	TAN
Paver Drain Pro	PD-PRO-W	PD-PRO-G	PD-PRO-T

- CARTON INCLUDES:**
- 8 10' PAVER DRAIN PRO
 - 8 COUPLERS

FLUSH MOUNT PAVER DRAIN

The Flush Mount Paver Drain is a dual-elevation deck drain system used for the installation of paver decks. This design features a top cap that can be lapped through the sectional base insuring a rigid configuration. The bottom tray of the base section features a single flange design that allows this drain to set flush against a vertical surface such as a wall.

A full range of fittings are available. See page 35.



CARTON INCLUDES:

- 8 10' BASE
- 8 10' TOP CAPS
- 8 COUPLERS

DESCRIPTION	GREY	MARBLE	TAN	WHITE
Flush Mount Paver Drain *	FLMPD-G	FLMPD-M	FLMPD-T	FLMPD-W

* Maximum Flow Rate
5.8 gal - High
3.7 gal - Low
per minute per foot

Aluminum top drains are recommended in high temperature surface areas or excessive reflective surface areas around windows, doors, etc.

DRAIN FITTINGS

DECK DRAIN



Tee/Deck Drain

	QUANTITY PER CARTON	WHITE	GREY	TAN	BLACK
90 Degree	10	D9W	D9G	D9T	D9B
45 Degree	10	D4W	D4G	D4T	D4B
Side Adapter	4	DSAW	DSAG	DSAT	DSAB
Clean Out	4	DCOW	DCOG	DCOT	DCOB
Tee	4	DTW	DTG	DTT	DTB
Cross	2	DXW	DXG	DXT	DXB
Down Adapter	4	DDAW	DDAG	DDAT	DDAB
End Adapter	4	DEA			
End Plug	10	DEP			
Coupler	12	DCUP			

NO COLOR AVAILABLE

CHANNEL DRAIN




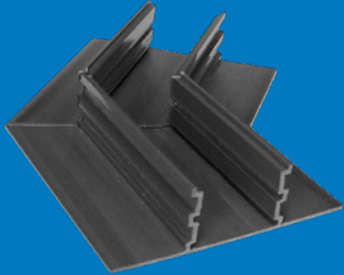
Clean Out/Channel Drain


	QUANTITY PER CARTON	WHITE	GREY	TAN	BLACK
90 Degree	10	CD9W	CD9G	CD9T	CD9B
45 Degree	10	CD4W	CD4G	CD4T	CD4B
Side Adapter	4	CDSAW	CDSAG	CDSAT	CDSAB
Clean Out	4	CDCOW	CDCOG	CDCOT	CDCOB
Tee	4	CDTW	CDTG	CDTT	CDTB
Cross	2	CDXW	CDXG	CDXT	CDXB
Down Adapter	4	CDDAW	CDDAG	CDDAT	CDDAB
End Adapter	4	DEA			
End Plug	10	DEP			
Coupler	12	DCUP			

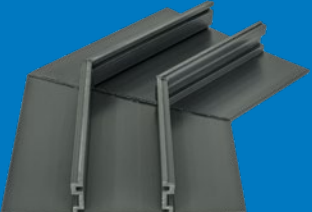
NO COLOR AVAILABLE

DRAIN FITTINGS

SUPER DRAIN		QUANTITY PER CARTON	WHITE	GREY	TAN
 <p>90 Degree/Super Drain</p>	90 Degree	10	SR9W	SR9G	SR9T
	45 Degree	10	SR4W	SR4G	SR4T
	Side Adapter	4	SRSAW	SRSAG	SRSAT
	Clean Out	4	SRDCOW	SRDCOG	SRDCOT
	Tee	4	SRTW	SRTG	SRTT
	Cross	2	SRXW	SRXG	SRXT
	Down Adapter	4	SRDAW	SRDAG	SRDAT
	End Clip	10	SREC		
	End Plug	10	SRDEP		
	Coupler	12	SRDCUP		
				NO COLOR AVAILABLE	

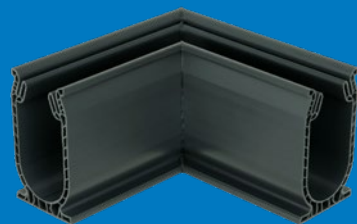
ADJUSTABLE HEIGHT PAVER DRAIN		QUANTITY PER CARTON	PART #
 <p>45 Degree/Adjustable Height Paver Drain</p>	90 Degree	4	PD90
	45 Degree	4	PD45
	Down Adapter	4	PDDA
	End Adapter	4	PDDEA
	End Plug	4	PDDEP
	Coupler	12	PDDCUP

PAVER DRAIN PRO		QUANTITY PER CARTON	WHITE	GREY	TAN
 <p>90 Degree/Paver Drain Pro</p>	90 Degree	10	PD-PRO-90W	PD-PRO-90G	PD-PRO-90T
	45 Degree	10	PD-PRO-45W	PD-PRO-45G	PD-PRO-45T
	Down Adapter	4	PD-PRO-DAW	PD-PRO-DAG	PD-PRO-DAT
	End Adapter	4	PD-PRO-DEA		
	End Plug	10	PD-PRO-DEP		
	Coupler	12	PD-PRO-DCUP		
			NO COLOR AVAILABLE		

MINI PAVER DRAIN		QUANTITY PER CARTON	PART #
 <p>45 Degree/Mini Paver Drain</p>	45 Degree	4	MP45
	90 Degree	4	MP90
	Down Adapter	4	MPDA
	End Adapter	4	MPDDEA
	Coupler	12	MPDDCUP
	End Plug	4	MPDEP

DRAIN FITTINGS

FRONTIER DECK DRAIN



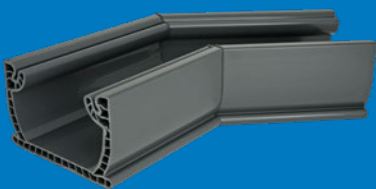
90 Degree/Frontier Deck Drain

	QUANTITY PER CARTON	PART #
90 Degree	10	SDD90
45 Degree	10	SDD45
Side Adapter	4	SDD-SA
Tee	4	SDD-TW
Cross	2	SDD-XW
Down Adapter	4	SDD-DA
End Adapter	4	DEA
End Plug	10	DEP
Coupler	12	DCUP

TREADMASTER COMMERCIAL DRAIN

USE FRONTIER DECK DRAIN FITTINGS

FLOWMASTER COMMERCIAL DRAIN



45 Degree/Flowmaster Commercial Drain

	QUANTITY PER CARTON	PART #
90 Degree	1	FM90
45 Degree	1	FM45
Side Adapter	1	FMSA
Down Adapter	1	FMDA
Tee	1	FMTW
End Adapter	1	FMDEA
End Plug	1	FMDEP
Coupler	1	FMDCUP

FLOWMASTER A/T DRAIN

USE FLOWMASTER COMMERCIAL FITTINGS

FLOWMASTER 3 COMMERCIAL DRAIN



Down Adapter/
Flowmaster 3 Commercial Drain

	QUANTITY PER CARTON	PART #
90 Degree	1	FM390
45 Degree	1	FM345
Side Adapter	1	FM3SA
Down Adapter	1	FM3DA
Tee	1	FM3TW
End Adapter	1	FM3DEA
End Plug	1	FM3DEP
Coupler	1	FM3DCUP

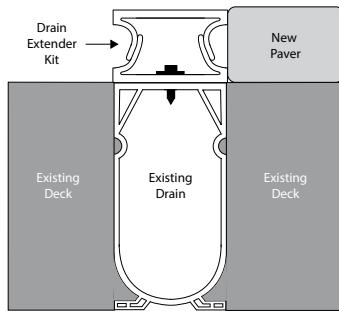
FLOWMASTER 3 A/T DRAIN

USE FLOWMASTER 3 COMMERCIAL FITTINGS

DRAIN EXTENDER KIT

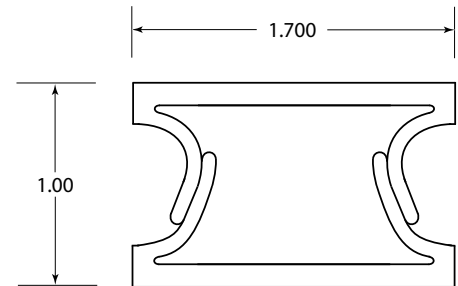
Drain Extender Kit is used when it is necessary to raise the elevation of an existing drain in preparation for the installation of Pavers or Overlays.

The Drain Extender Kit is used in many applications to increase the height of an existing drain. It is attached base clip first to an existing drain with the screws provided and the top is "snapped" into place. Both the top and bottom pieces of the Drain Extender Kit have slots in them to allow the water to pass through to the existing drain, leaving behind a beautiful new drain.



DESCRIPTION	PART #	CARTON INCLUDES:
White	DEK40W	■ 8 5' EXTENDER DRAIN
Grey	DEK40G	■ 48 BASE CLIPS
Tan	DEK40T	■ 48 SCREWS
Black	DEK40B	

PACKAGED 40' PER CARTON IN 5' LENGTHS



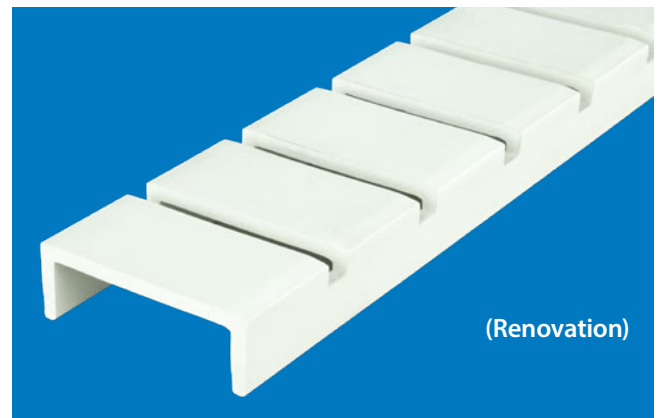
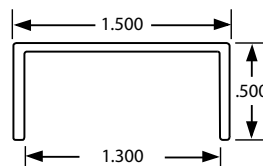
RE-COVER DRAIN

Replacement top used to repair damaged deck drain.

Re-Cover Drains are designed with continuous side-to-side slots, allowing water to enter from either side at the original elevation. This important feature prevents ponding and subsequent freeze and thaw damage.

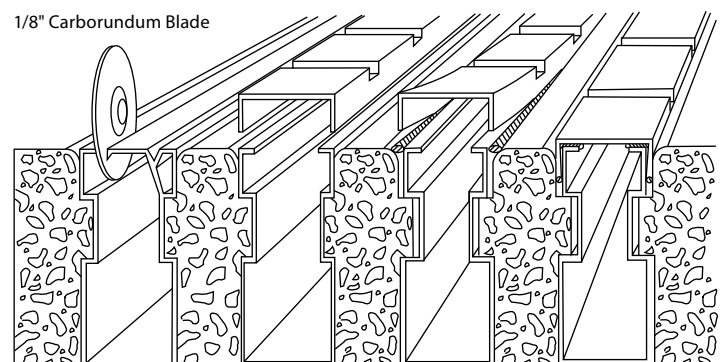
DESCRIPTION	PART #
White	RD2W
Grey	RD2G
Tan	RD2T
Black	RD2B

PACKAGED 80' PER CARTON IN 10' LENGTHS



INSTALLATION TIPS

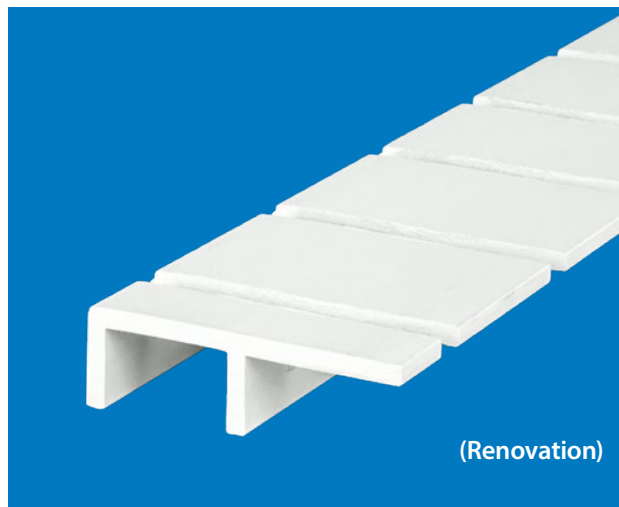
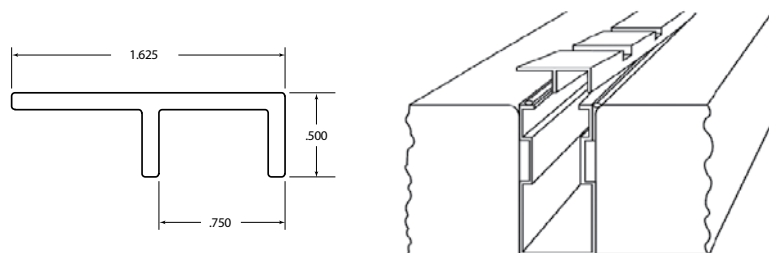
Using a 1/8" carborundum or diamond blade, make two parallel cuts removing the center of the damaged deck drain. Apply a continuous bead of silicone into the crack between the side walls of the existing drain and the concrete. Press the Re-Cover Drain into the silicone filled slot. Place a weight on top of the Re-Cover Drain to hold it securely in place until the silicone cures (if necessary).



RE-COVER DRAIN II

Designed to repair drains that are pinched due to deck movement.

Re-Cover Drain II is attached at one side only, allowing the drain cover to be successfully applied to drains that are distorted due to damage from deck movement. This "free floating" design makes this product adaptable to various drain widths.

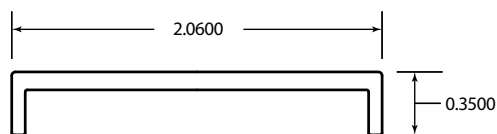


DESCRIPTION	PART #
White	RD2W-2
Tan	RD2T-2

PACKAGED 80' PER CARTON
IN 10' LENGTHS

RE-COVER SUPER DRAIN

Designed to repair weathered or damaged Super Drain.



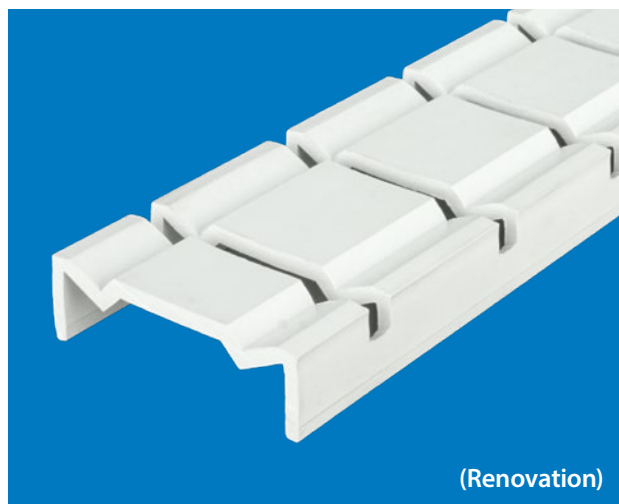
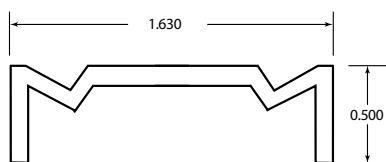
DESCRIPTION	PART #
White	RSD-W
Tan	RSD-T
Grey	RSD-G

PACKAGED 80' PER CARTON
IN 10' LENGTHS

NOTE: Installation Tips and illustrations see RE-COVER DRAIN

RE-COVER CHANNEL DRAIN

Designed to repair weathered or damaged Channel Drain.

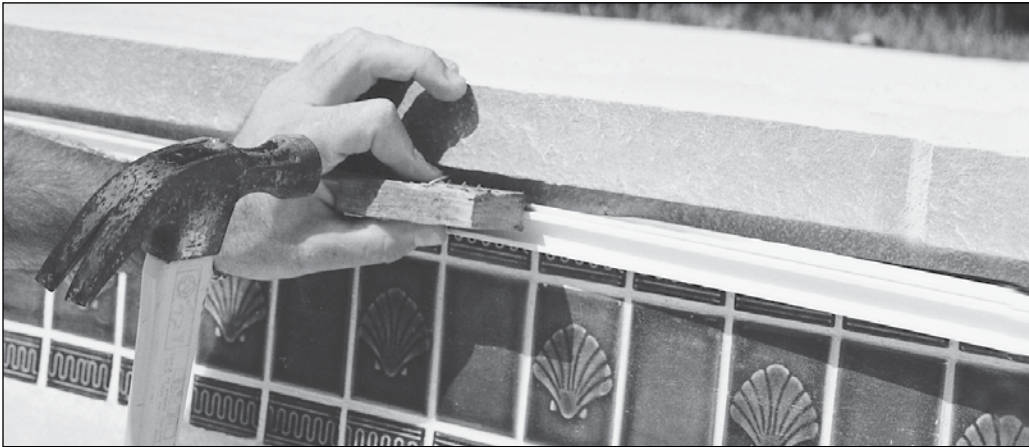


DESCRIPTION	PART #
White	RCD-W
Tan	RCD-T
Grey	RCD-G
Black	RCD-B

PACKAGED 80' PER CARTON
IN 10' LENGTHS

NOTE: Installation Tips and illustrations see RE-COVER DRAIN

RENOVATION FIBER-OPTIC



(Renovation)



Renovation Fiber-Optic perimeter lighting channel is easy to install and provides a mechanical attachment. The top flange is designed to compress when inserted into a saw cut 5/8" deep x 1/8" wide. A bead of adhesive placed between the top flanges adheres the strip in place.

PART #	DESCRIPTION	
7REN4F	For Fiberstars FSSB, FSSB-CABL-42 & Supervision SV23	
7REN6S	For Supervision SV32, SV42, Lumenyte, Fiberstars ELD, BPAK-50, Fiberworks FW 25, FW 50	
7REN7A	For Fiberworks Ultra Glow 25, 50, 75	

112' PER CARTON, 8' LENGTHS
(Flex Track is also available)

RENOVATION TILE STRIP

Renovation Tile Strip is an innovative design used for replacement and renovation of discolored or broken tile strips. The attachment process is mechanical. The top flange is designed to compress when inserted into a saw cut 5/8" deep x 1/8" wide. A bead of adhesive placed between the top flanges adheres the strip in place.

DESCRIPTION	PART #
White	TREN1W

112' PER CARTON, 8' LENGTHS
(back edge may be cut for radius)



(Renovation)

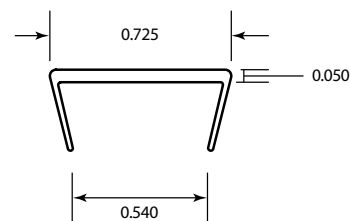
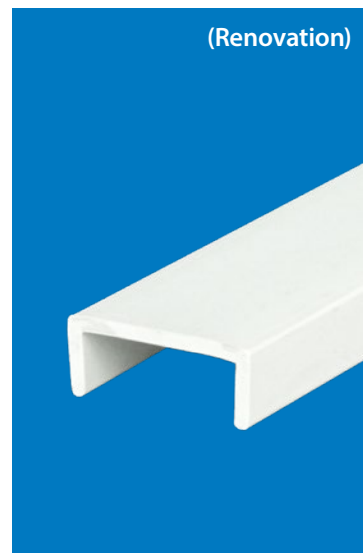
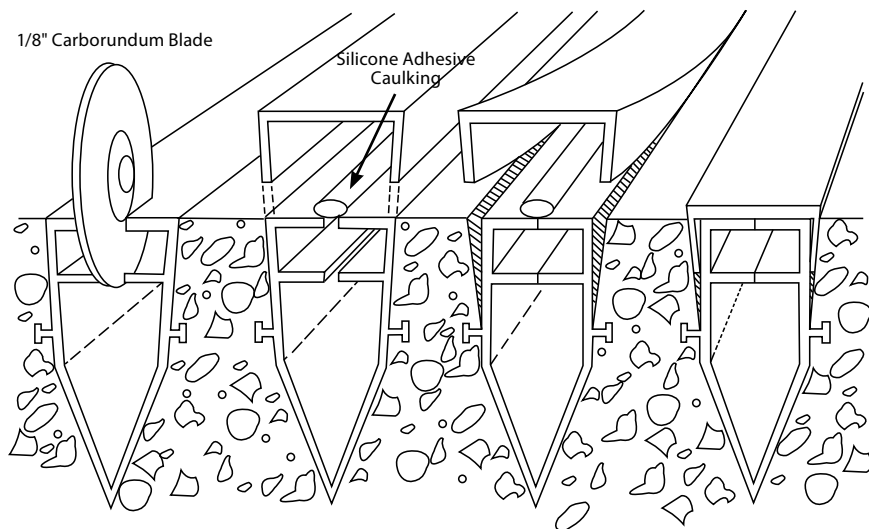


RE-COVER STRIP

The First Truly Practical Joint Repair System

These replacement covers are the perfect answer for the repair of damaged deck joints. After making a saw cut through the top of the old joint, this product is clipped over the old joint and held in place with adhesive. Re-Cover Strips can be used on joints that have been edged or not edged.

**WORKS
EVEN WHEN
CONCRETE HAS
NOT BEEN
EDGED**

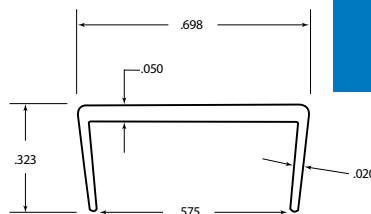
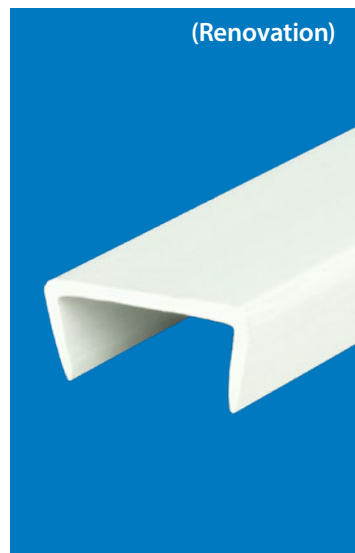
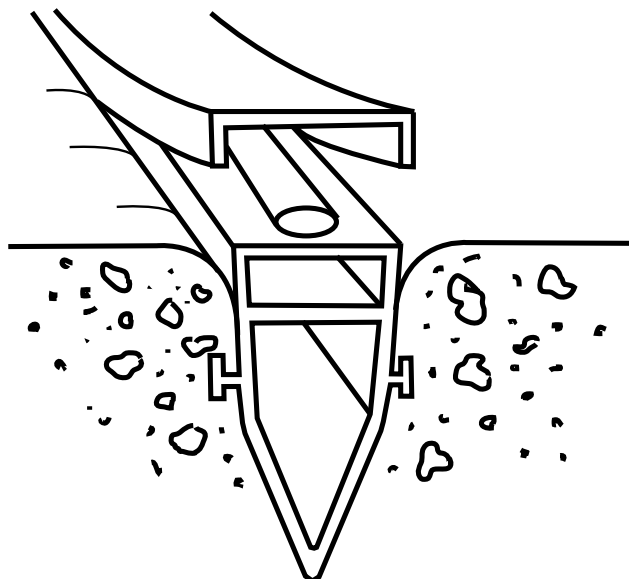


DESCRIPTION	WHITE	GREY	TAN	BLACK
Re-Cover Strip	RS2W	RS2G	RS2T	RS2B

PACKAGED 240' PER CARTON, 12' LENGTHS

RE-COVER STRIP II

Re-Cover Strip II is used when the old joints have been edged



DESCRIPTION	WHITE	TAN
Re-Cover Strip II	RS2W-2	RS2T-2

PACKAGED 240' PER CARTON, 12' LENGTHS

DECK RENEW

Restore deck surfaces to a like-new appearance

Deck Renew is available in 10 shades. This finish tends to retain the highlights in textured surfaces.

Many concrete decks and patios, although still structurally sound, are in need of a facelift. Deck Renew can restore these decks to a like-new appearance, avoiding the need for costly demolition and reconstruction.

Deck Renew is applied using two diluted coats. The first coat soaks in, providing a positive bond while the second coat adds extra wearability.

DESCRIPTION	PART #
Lite Sand Buff	DR105P-5G
Regular Sand Buff	DR110P-5G
Dark Sand Buff	DR115P-5G
Dove Grey	DR120P-5G
Lite Dove Grey	DR125P-5G
Coral Peach	DR140P-5G
Buckskin	DR145P-5G
Golden Sand	DR160P-5G
White	DR165P-5G
Burly Wood	DR170P-5G



(Renovation)

SPECIFICATIONS

Coverage approximately:
150-200 square feet per gallon.

Packaged:
1 5 gallon container

Applicator:
Short to medium nap roller

Clean-Up:
Warm soapy water

TO PREPARE DECK

1. TSP Wash
2. Acid Wash
3. TSP Wash
4. Pressure Wash

TOUCH-UP KIT



(Renovation)

A repair for Frontier Desert Deck

Touch-Up Kits are easy to use pre-mixed patch kits designed for small repairs of Frontier Desert Deck.

Touch-Up Kits are made from quality materials in full batch quantities to provide consistent and dependable color matches for Frontier Desert Deck colors.

KIT INCLUDES:

- 4 LBS. PRE-MIX (APPROX./ COLORS VARY)
- 3 BOTTLES ADHESIVE
- 1 INSTRUCTION SHEET (ON LABEL)

Can be shipped UPS

COVERAGE: APPROXIMATELY 5 SQ. FT. PER KIT

DESCRIPTION	PART #
Lite Sand Buff	TU105BK
Regular Sand Buff	TU110BK
Dark Sand Buff	TU115BK
Dove Grey	TU120BK
Lite Dove Grey	TU125BK
Aztec Gold	TU130BK
Colorado Gold	TU135BK
Coral Peach	TU140BK
Buckskin	TU145BK
Sun Yellow	TU150BK
Rose Pink	TU155BK
Golden Sand	TU160BK
White	TU165BK
Burly Wood	TU170BK

As conditions and methods of use of our products are beyond our control, we offer these products in good faith but without guarantee either expressed or implied.

FRONTIER BONDING AGENT

Frontier Bonding Agent is a three-stage bonding system used to apply cementitious toppings to existing concrete. The primary coat penetrates into the concrete leaving a completely insoluble membrane once the liquids have evaporated. The second coat is applied after the first coat has dried and effectively seals the surface of the concrete, protecting against uneven suction from the base concrete. The third coat **MUST** be applied to re-wet (or freshen) the surface just prior to applying the topping.

DESCRIPTION	PART #
1 Gallon	FRBA1
5 Gallon	FRBA5

COVERAGE:
 APPROX. 200 SQ. FT. PER GALLON ON FIRST COAT,
 300 SQ. FT. PER GALLON ON SECOND COAT



FRONTIER DESERT SEAL

Protects Concrete From Freeze/Thaw

Frontier Desert Seal — a colorless, penetrating solution for concrete and Frontier Desert Deck surfaces.

Frontier Desert Seal is a catalytic agent which reacts with free alkaline hydrates by internally producing an aero silica gel which fills the pore spaces and voids left by the evaporative loss of moisture. Frontier Desert Seal does not alter the surface's appearance or physical characteristics of Frontier Desert Deck, but will significantly protect concrete from damage caused by the freeze/thaw cycle.

DESCRIPTION	PART #
5 Gallon	DESEAL

COVERAGE:
 APPROX. 300-400 SQ. FT. PER GALLON



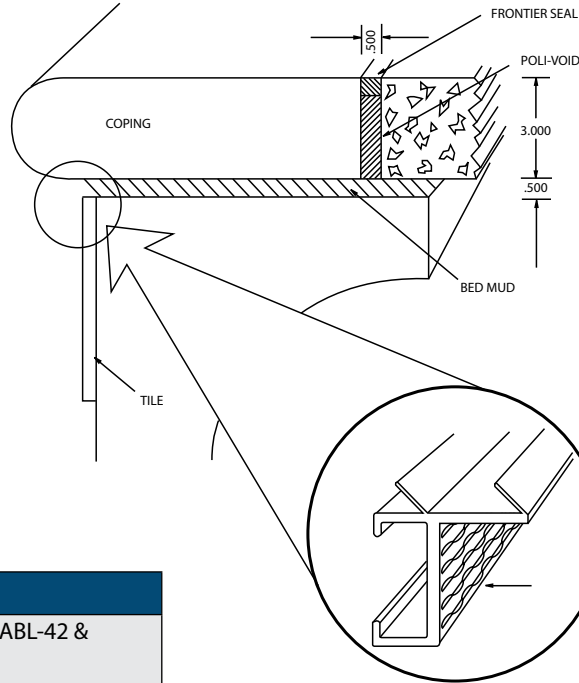
FIBER-OPTIC II RECEIVER

Install fiber-optics on your coping or stone work

INSTRUCTIONS

1. Position Fiber-Optic II Receiver on tile with 3M adhesive.
2. Set coping or stone into place.
3. Attach Poli-Void to coping or stone with spray adhesive and pour deck.
4. After deck has cured remove Poli-Void tear strip and apply Boss Joint Sealant.

NOTE: On tight radii cut the front and back lips of the receiver.



PART #	DESCRIPTION
3FOR2	For Fiberstars FSSB, FSSB-CABL-42 & Supervision SV23
3FOR6	For Supervision SV32, SV42, Lumenyte, Fiberstars ELD, BPAK-50, Fiberworks FW 25, FW 50
3FOR8	For Fiberworks Ultra Glow 25, 50, 75

CARTON INCLUDES:

- 112' PER CARTON 8' LENGTHS (Flex Track is also available)
- 1 5 OZ. TUBE OF 3M ADHESIVE

CANTILEVER STEP KIT

Forming system used to install Cantilever edges on molded, preformed steps. (Liner)

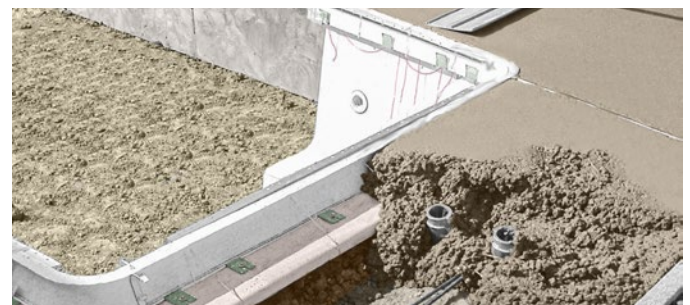
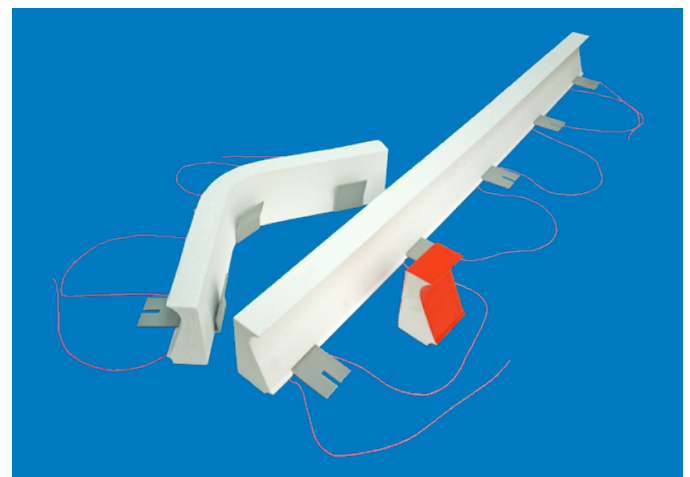
The Cantilever Step Kit attaches mechanically to the top flat surface of the molded, preformed step. This unique design adapts to virtually any preformed step application.

STANDARD STEP KIT INCLUDES:

- 3 4' STRAIGHT PIECES WITH CLIPS
- 2 PREFORMED CORNERS WITH CLIPS
- 1 48" AND 2 EACH 36" BRACES
- 25 SCREWS AND WASHERS
- 25 TIE WIRES
- 1 PROFILE EDGING TOOL
- 1 ROLL BENDING TAPE

RADIUS STEP KIT FOR RADIUS STEPS (No Corners):

- 5 4' STRAIGHT PIECES
- 50 SCREWS
- 50 WASHERS
- 50 TIE WIRES
- 1 PROFILE EDGING TOOL
- 1 ROLL BENDING TAPE



DESCRIPTION	REGULAR	CAPSTONE	INTERMEDIATE
STANDARD STEP KIT	1CSK24	9CSK24	2CSK24
RADIUS STEP KIT for radius steps (No corners)	1CSK24-STR	9CSK24-STR	2CSK24-STR

S-CLIP

Liner Receptor used on Above Ground Liner Pools

Stegmeier's S-Clip has a heavier gauge liner bead receiver that resists liner roll-out. This heavy-duty extrusion slips down over the top of the pool wall adding rigidity while holding the liner bead firmly in place. With this design, the stabilizer bar may be clipped over the top of the S-Clip instead of being threaded from the end.

- **Heavy-Duty Design**
- **Stabilizer Bar May Be Clipped Over**
- **UV-Resistant Material**
- **53-Inch Lengths**



DESCRIPTION	PART #	PACKAGED 40 PIECES PER CARTON
S-Clip	SCLIP	

TIE WIRE SIDE KIT

The Tie Wire Side Kit is designed to attach Stegmeier LLC forms to the pool wall. Place the plastic washer on the tie wire and push the tie wire through the form at the proper elevation. Wrap the tie wire around the 1 1/2" concrete nail to secure.

- CARTON INCLUDES:**
- 100 TIE WIRES
 - 100 PLASTIC WASHERS
 - 100 1 1/2" CONCRETE NAILS
 - 1 ROLL OF BENDING TAPE

DESCRIPTION	PART #
Tie Wire Side Kit (1 per carton)	CFA001-SINGLE
Tie Wire Side Kit (5 per carton)	CFA001



PLUMB STRIP SIDE KIT

The Plumb Strip Side Kit is designed to attach Stegmeier LLC forms to a fiberglass pool. Place the plastic washer on the tie wire and push the tie wire through the form at the proper elevation. Wrap the tie wire around the screw or bend over the back edge of the pool lip to secure.

- CARTON INCLUDES:**
- 100 TIE WIRES
 - 100 PLASTIC WASHERS
 - 200 SCREWS
 - 1 ROLL OF BENDING TAPE

DESCRIPTION	PART #	PACKAGED 1 PER CARTON
Plumb Strip Side Kit	CFA050	



TILE STRIP

To be used with Cantilever Forms.

DESCRIPTION	PART #
Black	TILE-B
Grey	TILE-G
Tan	TILE-T
White	TILE-W

PACKAGED 112' PER CARTON
8' LENGTHS



TILE STRIP FLEX

To be used with Cantilever Forms. Pre cut for flexibility.

DESCRIPTION	PART #
Black	TILE-B-FLEX
Grey	TILE-G-FLEX
Tan	TILE-T-FLEX
White	TILE-W-FLEX

PACKAGED 112" PER CARTON
8' LENGTHS



RELEASE AGENT 1 per carton

A water-based release agent that is compatible with expanded polystyrene. (**NOTE:** Do not use release agent where additional toppings, coatings, etc. will be applied).

DESCRIPTION	PART #
Release Agent - Quart	RA-Q
Release Agent - Gallon	RA-G



DRAIN DOWELS (Fiberglass)

Drain Dowels to be used with two-piece drains.

DESCRIPTION	PART #
Drain Dowels (12 per carton) – Needed for 40'	DOW-12
Drain Dowels (24 per carton) – Needed for 80'	DOW-24

CUT LENGTH
12 INCHES



NOTE: The use of proper "PPE" is required when handling fiberglass Drain Dowels.

QUICK REFERENCE



CAPSTONE FORM



REGULAR FORM



DEEP REGULAR FORM



INTERMEDIATE FORM



COMMERCIAL FORM



SANDSTONE FORM



OG FORM



CLIP-LOC CAPSTONE



CLIP-LOC INTERMEDIATE



CLIP-LOC REGULAR



6" REGULAR



6" CAPSTONE



TEXTURIT
(Liner sold separately)



POOL COVER FORM II



DEEP RESIN ROCK



RESIN ROCK WITH 1" EXTENDER



POOL COVER E



STAMP-A-FORM



POOL COVER FORM
WITH 1-3/4" EXTENDER

RENOVATION OR COUNTER TOP FORMS



CAPSTONE



REGULAR



DIAMOND CUT



OG



MARBLE ROUND

BACKSPLASH FORMS



MARBLE ROUND



REGULAR

QUICK REFERENCE



OG 600 WALL CAP FORM



OG 400 WALL CAP FORM



CAPSTONE 350 WALL CAP FORM



REGULAR 360 WALL CAP FORM



MINI CAP 300 WALL CAP FORM



FRONTIER STEP LEDGER



ENCAPSULATED FORM ADAPTER



FOAM PROFILE EDGING TOOL CAPSTONE



FOAM PROFILE EDGING TOOL REGULAR



CAPSTONE STEP LINER



REGULAR STEP LINER



INTERMEDIATE STEP LINER



COMMERCIAL STEP LINER



SANDSTONE STEP LINER



SAFETY TREAD STEP LINER



CHILD SAFETY GRIP FORMING SYSTEM 1 3/4" RADIUS TOOL

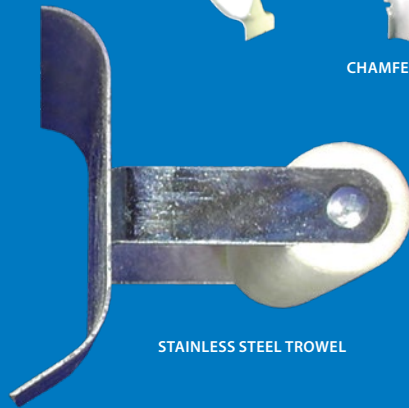
CHILD SAFETY GRIP FORM



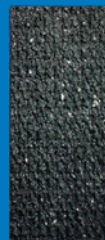
CHAMFER CLIPS



S-CLIP



STAINLESS STEEL TROWEL



TILE LEDGER BOARD 4"



POLI-VOID 1/4" OR 1/2" X 1 1/2"



POLI-VOID 1/4" OR 1/2" X 3" 1/4" OR 1/2" X 4"



BOSS JOINT SEALANT



FRONTIER DESERT DECK



TIE WIRE WITH WASHER



DRAIN DOWEL

QUICK REFERENCE



CHILD SAFETY GRIP NOSE CAP



SANDSTONE NOSE CAP



REGULAR NOSE CAP



COMMERCIAL NOSE CAP



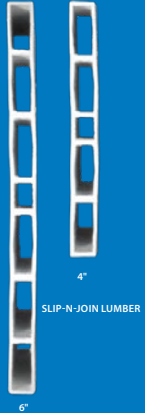
INTERMEDIATE NOSE CAP



CAPSTONE NOSE CAP



POOL COVER OR STAMP-A-FORM NOSE CAP



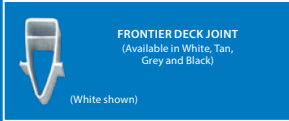
SLIP-N-JOIN LUMBER



RIGID HOLD
(Joint sold separately)



RIGID DECK JOINT
(Available in White, Tan, Grey and Black)
(White shown)



FRONTIER DECK JOINT
(Available in White, Tan, Grey and Black)
(White shown)



PLUMB STRIP



LINER TRACK (PVC)



TILE STRIP



ALUMINUM LINER TRACK



DUAL ALUMINUM LINER TRACK



FILLER STRIP



RENOVATION TILE STRIP



RE-COVER DRAIN



RE-COVER DRAIN II



RE-COVER SUPER DRAIN



RE-COVER CHANNEL DRAIN



DECK DRAIN
(Available in White, Tan, Grey and Black)



CHANNEL DRAIN
(Available in White, Tan, Grey and Black)



FLEX TRACK



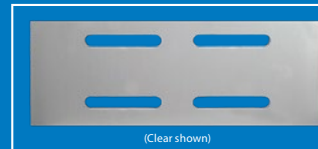
RE-COVER STRIP



RE-COVER STRIP II



FLOWMASTER A/T



FLOWMASTER A/T ALUMINUM TOP CAP
(Available in White, Bronze, Almond, Clear and Copper)
(Clear shown)



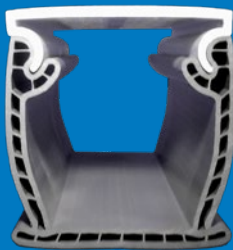
FLOWMASTER COMMERCIAL TOP CAP (PVC)
(Available in White, Tan and Grey)
(White shown)



SUPER DRAIN
(Available in White, Tan and Grey)



FRONTIER DECK DRAIN



FLOWMASTER 3 COMMERCIAL



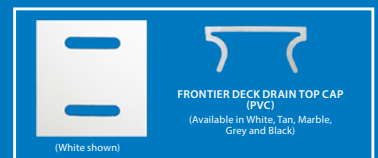
FLOWMASTER 3 COMMERCIAL TOP CAP (PVC)
(Available in White, Tan and Grey)
(Grey shown)



FLOWMASTER 3 A/T TOP CAP (Aluminum)
(Available in White, Bronze, Almond, Clear and Copper)
(Copper shown)



TREADMASTER COMMERCIAL TOP CAP (Aluminum)
(Available in White, Bronze, Almond, Clear and Copper)
(Copper shown)



FRONTIER DECK DRAIN TOP CAP (PVC)
(Available in White, Tan, Marble, Grey and Black)
(White shown)



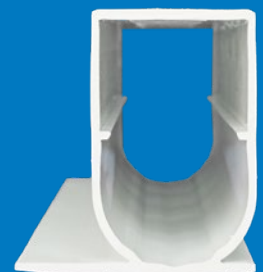
PAVER DRAIN TOP CAPS (Aluminum and PVC)
FITS:
Adjustable Height Paver Drain

(Aluminum-Clear shown)

(PVC-White shown)



DRAIN EXTENDER KIT



PAVER DRAIN PRO



ADJUSTABLE HEIGHT PAVER DRAIN

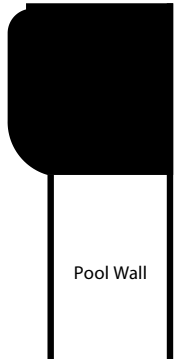


FLUSH MOUNT PAVER DRAIN

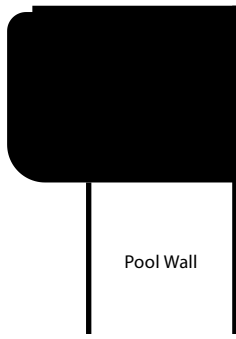


MINI PAVER DRAIN

CANTILEVER PROFILE EXAMPLES



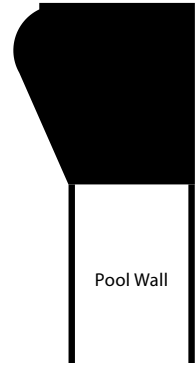
Regular



Deep Regular



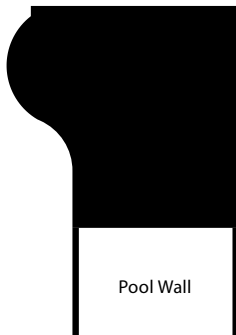
6" Regular



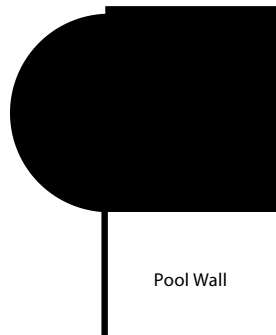
Capstone



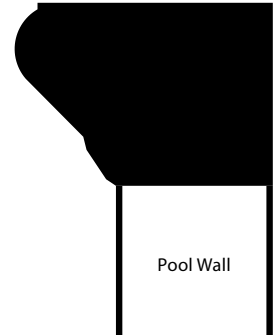
6" Capstone



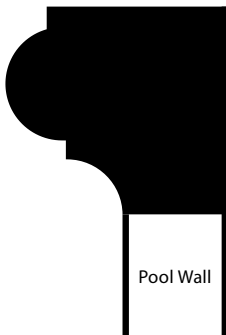
Intermediate



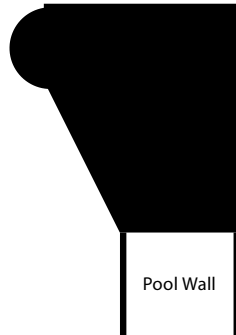
Sandstone



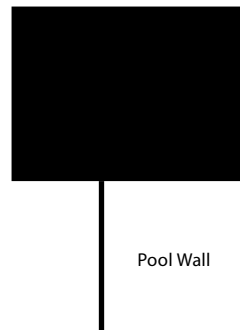
Commercial



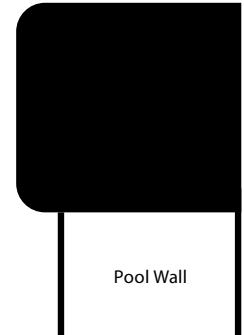
OG



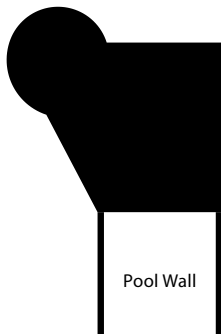
Classic Roman



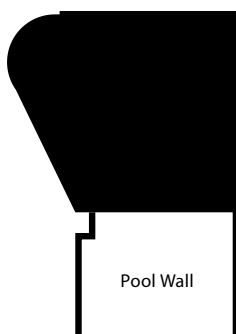
Stamp-A-Form



Texturit



Child Safety Grip Form



Pool Cover E

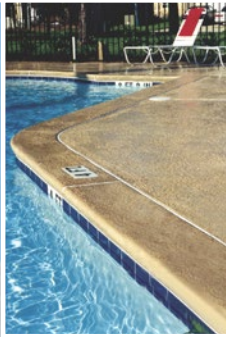
STEGMEIER LLC

Frontier Desert Deck

Is an additive, available in 14 pastel colors that when mixed with marble sand and white cement and applied properly, produces a "Dash Finish" that is ideal for residential and commercial swimming pool decks.

Reduce the temperature of your deck

Available in
14 colors



Coolness
Because of the pastel shades, texture and marble sand, Frontier Desert Deck is noticeably cooler than broom finish concrete.

Safety

When applied properly, Frontier Desert Deck retains a non skid quality even when wet.

FD105C	Lite Sand Buff
FD110C	Regular Sand Buff
FD115C	Dark Sand Buff
FD120C	Dove Grey
FD125C	Lite Dove Grey

FD130C	Aztec Gold
FD135C	Colorado Gold
FD140C	Coral Peach
FD145C	Buckskin
FD150C	Sun Yellow

FD155C	Rose Pink
FD160C	Golden Sand
FD165C	White
FD170C	Burly Wood

Packaged: 8 units per carton

This finish tends to retain the highlights in textured surfaces. Covers approx. 250-300 square feet per unit.

Color chips represent flat sheen. Color chips are affected to some degree by the type of light in which they are viewed, exposure to heat, sunlight and also the age of the chip itself. Occasionally, there may be a slight difference between the color and sheen of the chip shown and the actual Frontier Desert Deck surface. Darker shades produce warmer temperatures.