

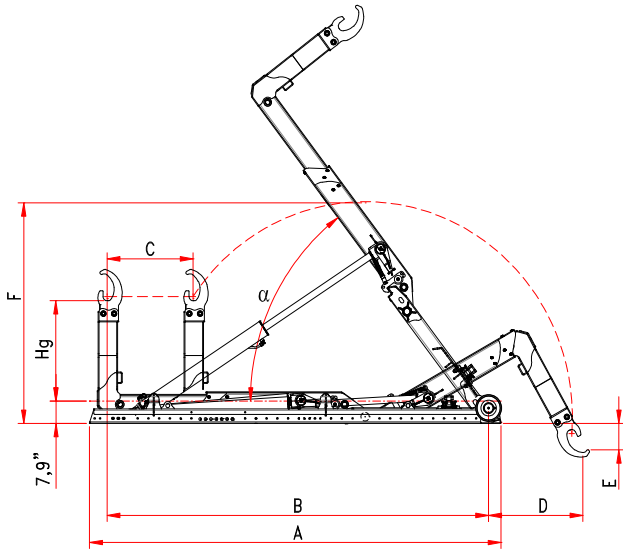


b.o.b. Sistemi Idraulici S.p.A.

unilift®

COMPANY WITH
QUALITY SYSTEM
CERTIFIED BY DNV GL
= ISO 9001 =

HOOKLIFT « T 11.000 MS LOW ARM »



MODEL	T 11.000 C MS LOW ARM	T 11.000 N MS LOW ARM	T 11.000 L MS LOW ARM	T 11.000 XL MS LOW ARM	T 11.000 XXL MS LOW ARM
Hg	35,63" (905 mm)	35,63" (905 mm)	35,63" (905 mm)	35,63" (905 mm)	35,63" (905 mm)
A	127,16" (3.230 mm)	135,03" (3.430 mm)	146,85" (3.730 mm)	150,78" (3.830 mm)	158,66" (4.030 mm)
B	116,14" (2.950 mm)	124,01" (3.150 mm)	131,88" (3.350 mm)	139,76" (3.550 mm)	147,63" (3.750 mm)
C	27,55" (700 mm)	27,55" (700 mm)	27,55" (700 mm)	31,5" (800 mm)	31,5" (800 mm)
D	39,37" (1.000 mm)	31,49" (800 mm)	38,58" (980 mm)	34,564" (880 mm)	26,77" (680 mm)
E	9" (228 mm)	9" (228 mm)	9" (228 mm)	9" (228 mm)	9" (228 mm)
F	71,65" (1.820 mm)	71,65" (1.820 mm)	77,95" (1.980 mm)	77,95" (1.980 mm)	77,95" (1.980 mm)
Weight*	1.430 lb (650 Kg)	1.450 lb (660 Kg)	1.520 lb (690 Kg)	1.540 lb (700 Kg)	1.560 lb (710 Kg)
α	51°	48°	55°	53°	50°
Container min. max.	10' - 12' (3.048-3.657 mm)	11' - 13' (3.352-3.962 mm)	12' - 13' (3.657-3.962 mm)	12' - 14' (3.657-4.267 mm)	13' - 15' (3.962-4.572 mm)
LIFTING CAPACITY	11.000 lb (5.000 Kg)	11.000 lb (5.000 Kg)	11.000 lb (5.000 Kg)	11.000 lb (5.000 Kg)	11.000 lb (5.000 Kg)
TIPPING CAPACITY	11.000 lb (5.000 Kg)	11.000 lb (5.000 Kg)	11.000 lb (5.000 Kg)	11.000 lb (5.000 Kg)	11.000 lb (5.000 Kg)

*Weight: basic hooklift weight without kit and options

The technical details shown in this sheet are indicative and can be changed by the builder without prior notice

B.O.B. Sistemi Idraulici S.p.A. – Regione Oltre Rea, 32 – 12060 Monchiero (CN) - Italia

P. I.V.A. 00496180043 - Tel.: +39 (0173) 780002/3 – Fax: +39 (0173) 780004

Internet: www.bobspa.com - E-mail: info@bobspa.com