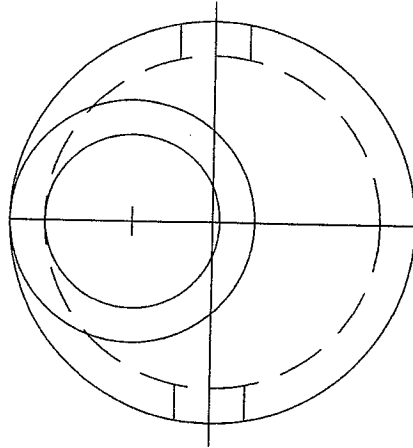
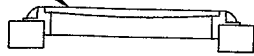


# 84" Manhole Stackout

Plan View

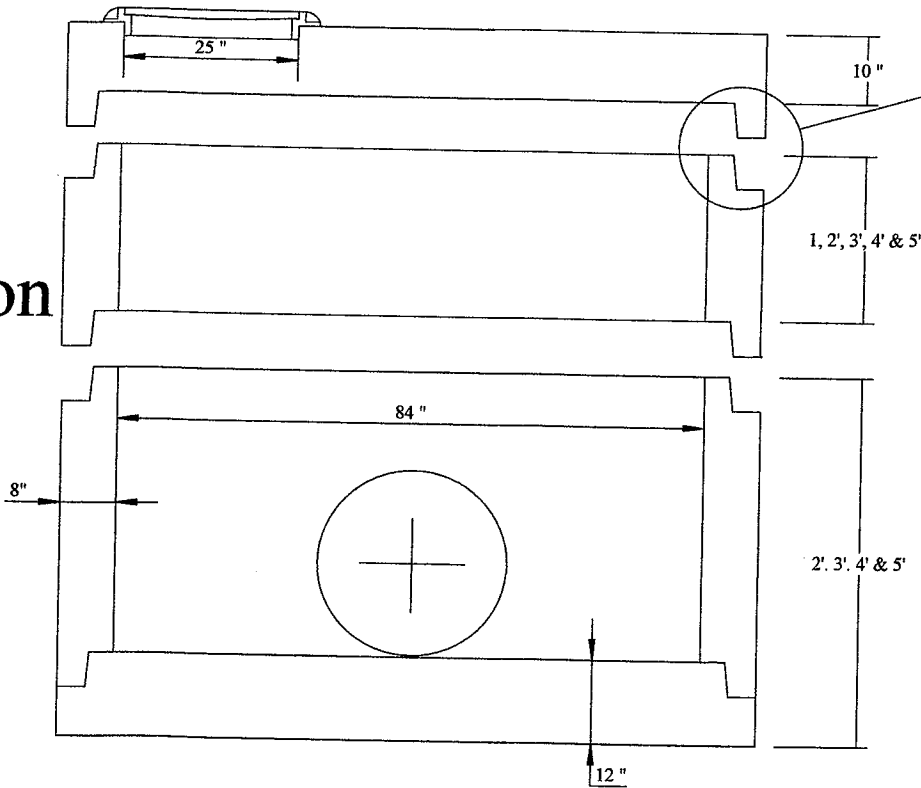


Cast Iron F&C Suburban Style



2", 3", 4" & 6"

Section



Mastic Seal or Grout

**Section Weights:**

- 1' - 2,460 lbs.
- 2' - 4,915 lbs.
- 3' - 7,370 lbs.
- 4' - 9,830 lbs.
- 5' - 12,285 lbs.

12" Flat Top - 7,710 lbs.

2', 3', 4' & 5'